



US00D760553S

(12) **United States Design Patent**  
**Schuler et al.**

(10) **Patent No.:** **US D760,553 S**  
(45) **Date of Patent:** **\*\* Jul. 5, 2016**

- (54) **WHISK**
- (71) Applicant: **Bradshaw International, Inc.**, Rancho Cucamonga, CA (US)
- (72) Inventors: **Troy Schuler**, Rancho Cucamonga, CA (US); **Philippe De La Coussaye**, Annecy-le-Vieux (FR)
- (73) Assignee: **Bradshaw International, Inc.**, Rancho Cucamonga, CA (US)
- (\*\*) Term: **14 Years**
- (21) Appl. No.: **29/500,603**
- (22) Filed: **Aug. 27, 2014**

- (30) **Foreign Application Priority Data**  
Feb. 28, 2014 (EM) ..... 002415414-0001
- (51) **LOC (10) Cl.** ..... **07-04**
- (52) **U.S. Cl.**  
USPC ..... **D7/669**; D7/690
- (58) **Field of Classification Search**  
USPC ..... D7/376, 395, 412, 688, 690, 669, 367  
CPC ... A47J 43/1093; A47J 43/10; A47J 43/1087;  
B01F 7/00008; B25G 1/00; B25G 1/005;  
B25G 1/025; B25G 1/102  
See application file for complete search history.

- (56) **References Cited**  
U.S. PATENT DOCUMENTS  
D395,989 S \* 7/1998 Proshan ..... D7/688  
D413,493 S \* 9/1999 Thurlow ..... D7/690  
D445,316 S \* 7/2001 Borner ..... D7/690  
D475,900 S \* 6/2003 Fisher ..... D7/690  
D480,612 S \* 10/2003 Schulein ..... D7/690  
D488,034 S \* 4/2004 Overthun ..... D7/690  
D492,165 S \* 6/2004 Cheung ..... D7/690

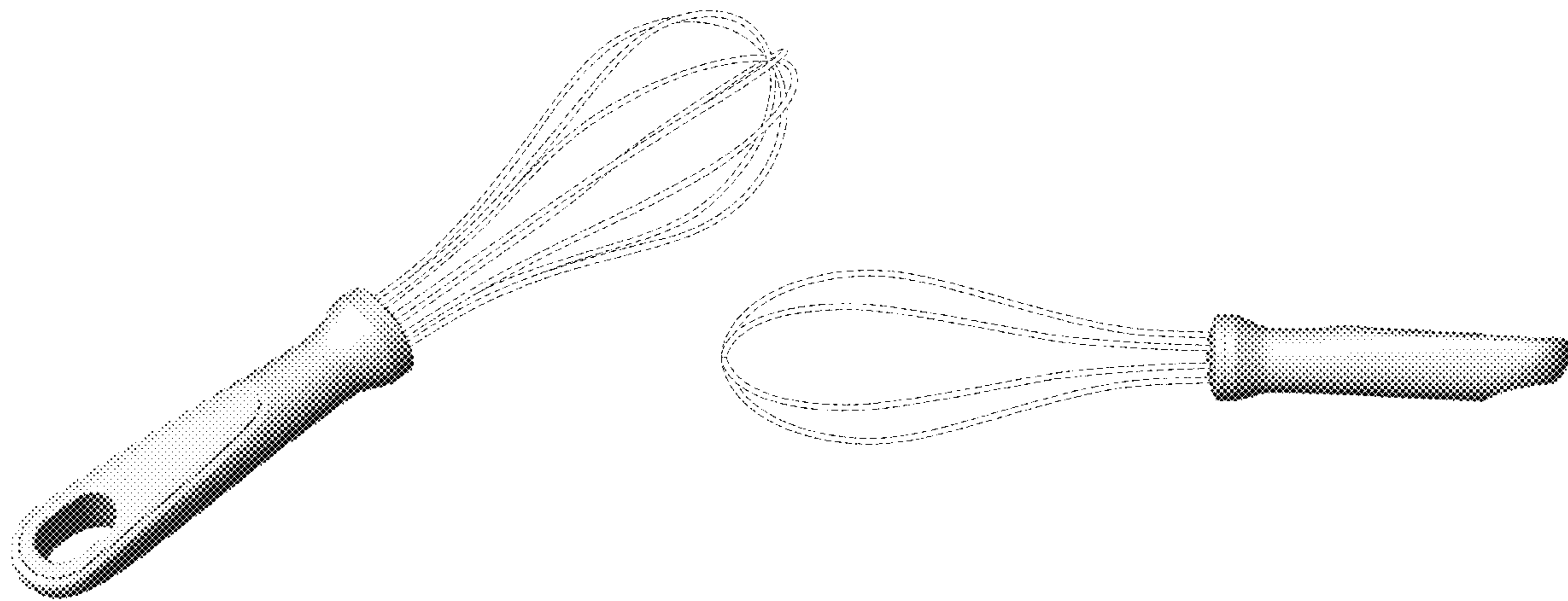
- D493,678 S \* 8/2004 Greco ..... D7/690
- D521,822 S \* 5/2006 Settele ..... D7/690
- D527,959 S \* 9/2006 Fung ..... D7/690
- D541,600 S \* 5/2007 Olsen ..... D7/690
- D541,601 S \* 5/2007 Fung ..... D7/690
- D542,102 S \* 5/2007 Cheung ..... D7/690
- D551,523 S \* 9/2007 Schanche ..... D7/690
- D556,521 S \* 12/2007 Lion ..... D7/690
- D560,103 S \* 1/2008 Browne ..... D7/690
- D575,597 S \* 8/2008 Reay ..... D7/690
- D576,845 S \* 9/2008 Ho ..... D7/690
- D582,223 S \* 12/2008 Vendl ..... D7/690
- D584,928 S \* 1/2009 Eide ..... D7/690
- D599,178 S \* 9/2009 Reay ..... D7/690
- D659,466 S \* 5/2012 Wheeler ..... D7/395
- D681,403 S \* 5/2013 Krus ..... D7/690
- D683,199 S \* 5/2013 Joseph ..... D7/690
- D684,437 S \* 6/2013 Joseph ..... D7/690
- D709,740 S \* 7/2014 Teal ..... D7/690
- D730,705 S \* 6/2015 Brown ..... D7/690

\* cited by examiner  
*Primary Examiner* — Rosemary K Tarcza  
*Assistant Examiner* — James Thorn, Sr.  
(74) *Attorney, Agent, or Firm* — The Webb Law Firm

(57) **CLAIM**  
The ornamental design for a whisk, as shown and described.

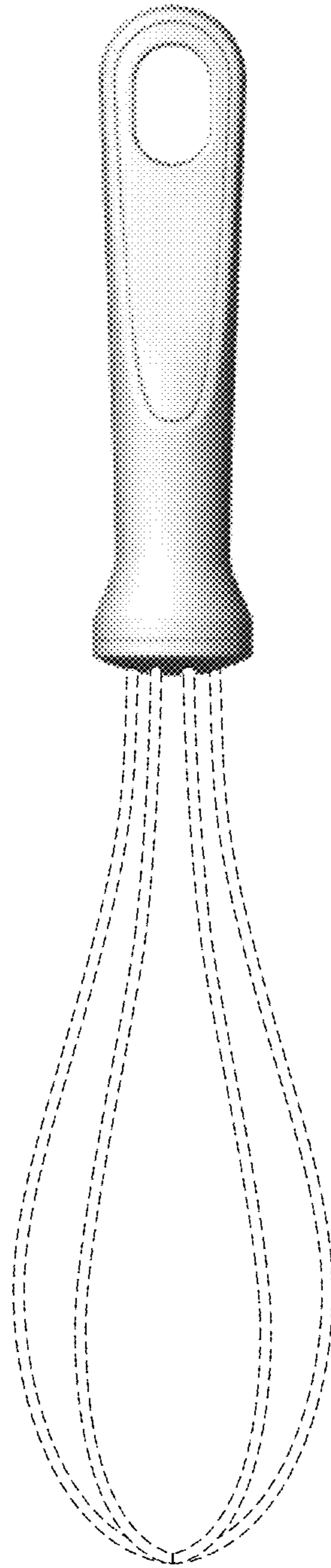
**DESCRIPTION**  
FIG. 1 is a front perspective view of a whisk, showing our new design;  
FIG. 2 is a front view thereof;  
FIG. 3 is a rear view thereof;  
FIG. 4 is a left side view thereof; and,  
FIG. 5 is a bottom view thereof.  
A right side view of the whisk is omitted as it is symmetric in appearance to the left side view of FIG. 4.  
The portions of the whisk shown in broken lines form no part of the claimed design.

**1 Claim, 5 Drawing Sheets**

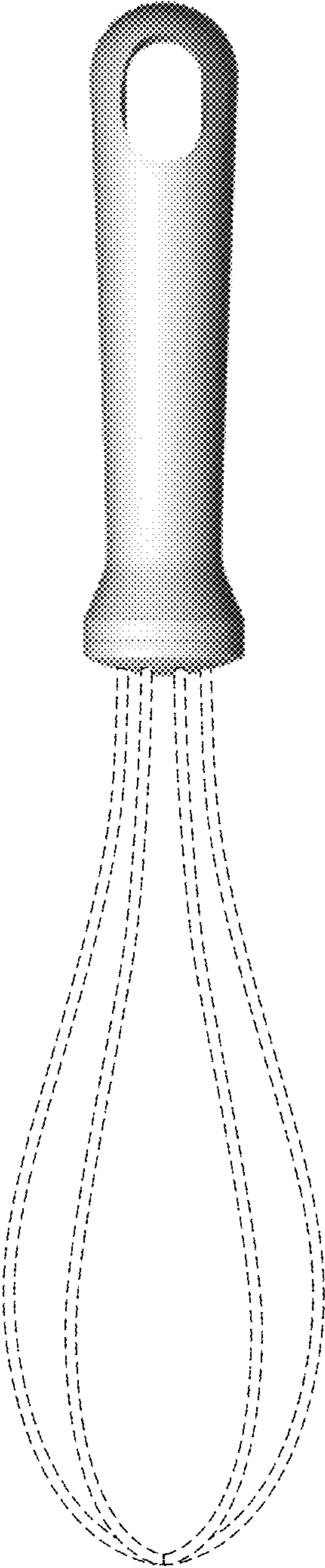




**FIG. 1**

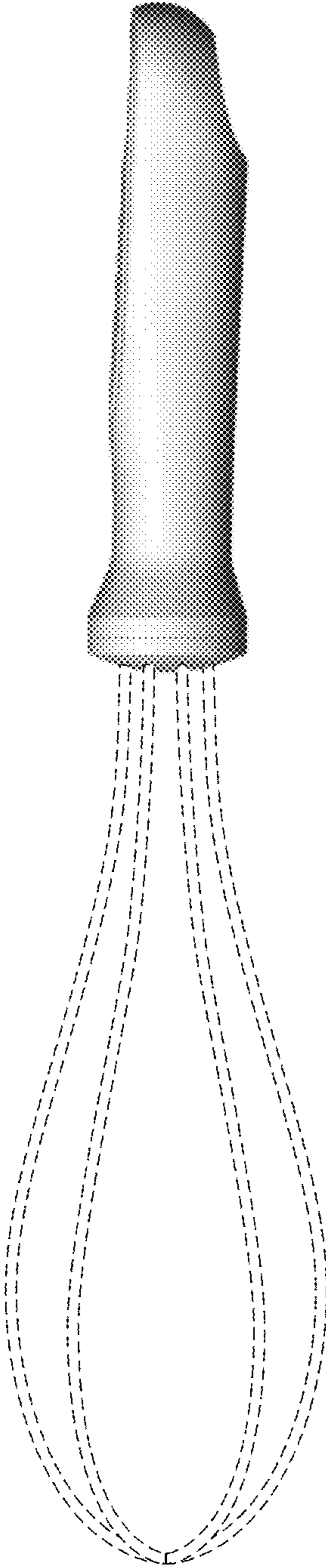


**FIG. 2**

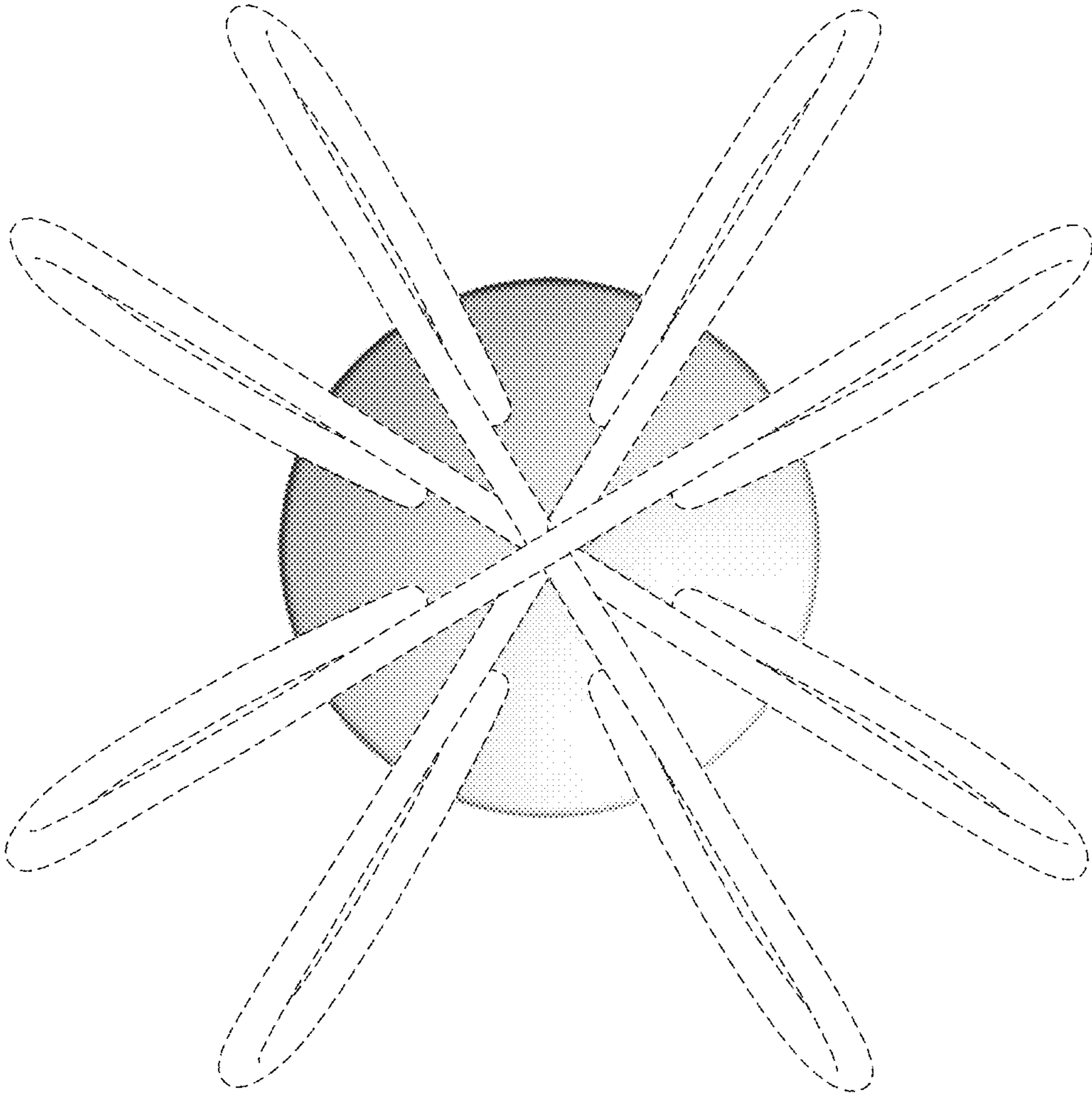


**FIG. 3**





**FIG. 4**



**FIG. 5**