



US00D760552S

(12) **United States Design Patent**
Kim et al.

(10) **Patent No.:** **US D760,552 S**
(45) **Date of Patent:** **** Jul. 5, 2016**

- (54) **JUICER**
- (71) Applicant: **NUC Electronics Co., Ltd.**, Daegu (KR)
- (72) Inventors: **Jong Boo Kim**, Daegu (KR); **Ji Tae Kim**, Daegu (KR); **Gun Wook Jo**, Daegu (KR)
- (73) Assignee: **NUC Electronics Co., Ltd.**, Daegu (KR)
- (**) Term: **15 Years**
- (21) Appl. No.: **29/528,646**
- (22) Filed: **May 29, 2015**

D471,408 S	3/2003	Fouquet	
7,066,082 B2	6/2006	O'Loughlin	
D537,303 S	2/2007	Stuckey	
D565,363 S	4/2008	Fouquet	
D594,717 S *	6/2009	Wu Chang	D7/665
D641,214 S *	7/2011	Choi	D7/665
D660,660 S	5/2012	Kim	
D665,632 S *	8/2012	Kim	D7/665
D676,287 S	2/2013	Ferraby	
D684,827 S *	6/2013	Kim	D7/665
2006/0060091 A1	3/2006	Chang	
2010/0139504 A1	6/2010	Wu Chang	
2011/0083566 A1	4/2011	Backus	
2011/0154997 A1	6/2011	Huang	
2013/0255511 A1 *	10/2013	Steiner	A47J 19/02 99/513
2013/0284034 A1 *	10/2013	Jeong	A47J 19/025 100/117

Related U.S. Application Data

- (62) Division of application No. 29/481,339, filed on Feb. 4, 2014, now Pat. No. Des. 742,183.

Foreign Application Priority Data

- Sep. 6, 2013 (KR) 30-2013-0046068

- (51) **LOC (10) Cl.** **31-00**
- (52) **U.S. Cl.**
USPC **D7/665**

- (58) **Field of Classification Search**
USPC D7/665, 666, 368, 378, 381, 384
CPC A47J 19/027; A47J 19/02; A47J 37/0835;
A47J 19/00; A47J 43/0783; A47J 43/1032;
A47J 43/1006; A47J 43/042; A47J
2043/04463; A47J 2043/0449; A47J
2043/04427; A23N 1/10; A23N 1/003;
A23N 1/006; A23N 1/02
See application file for complete search history.

References Cited

U.S. PATENT DOCUMENTS

D159,469 S 8/1950 Bennett

* cited by examiner

Primary Examiner — Terry Wallace

(74) *Attorney, Agent, or Firm* — Seed IP Law Group PLLC

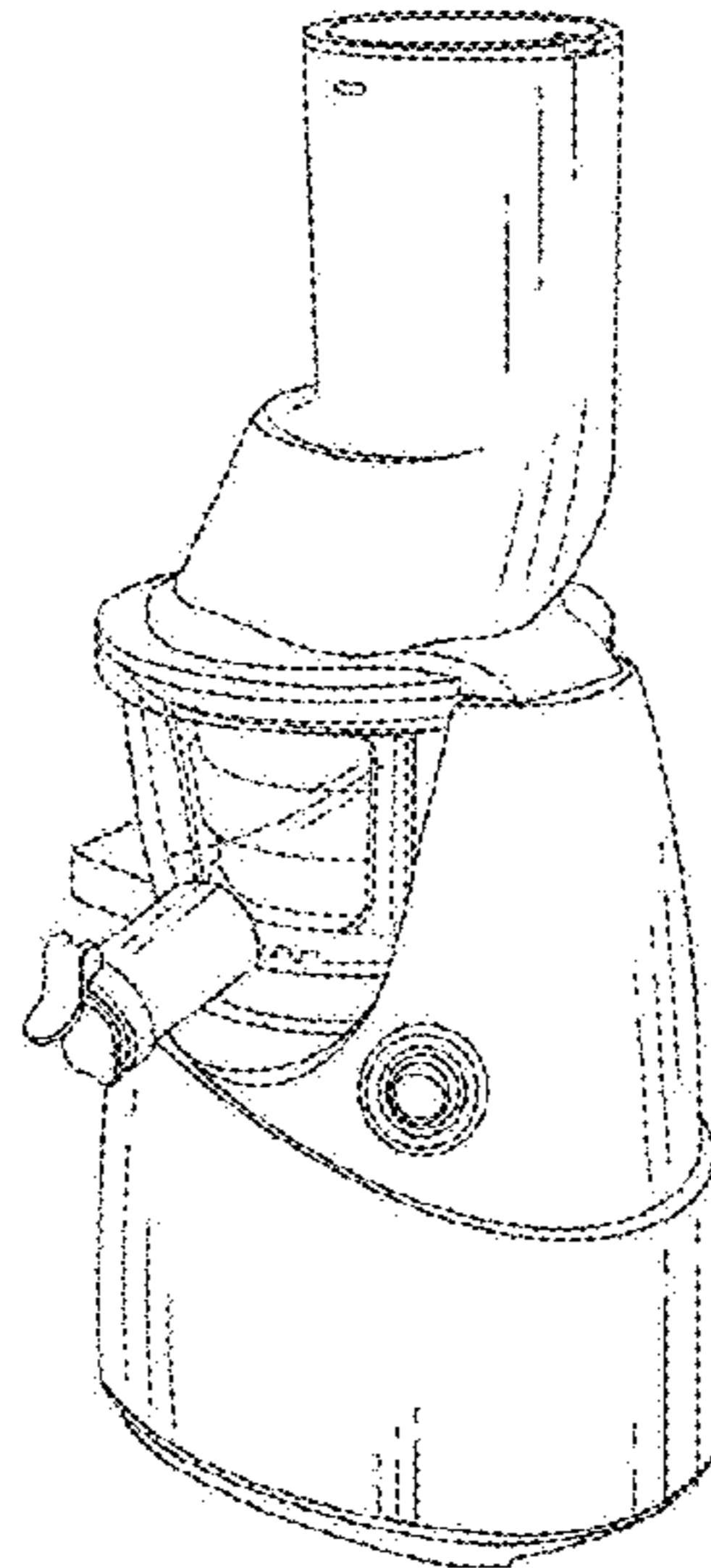
CLAIM

- (57) The ornamental design for a juicer, as shown and described.

DESCRIPTION

- FIG. 1 is a perspective view of a juicer showing our new design.
- FIG. 2 is a front view thereof.
- FIG. 3 is a rear view thereof.
- FIG. 4 is a left side view thereof.
- FIG. 5 is a right side view thereof.
- FIG. 6 is a top plan view thereof; and,
- FIG. 7 is a bottom plan view thereof.

1 Claim, 6 Drawing Sheets



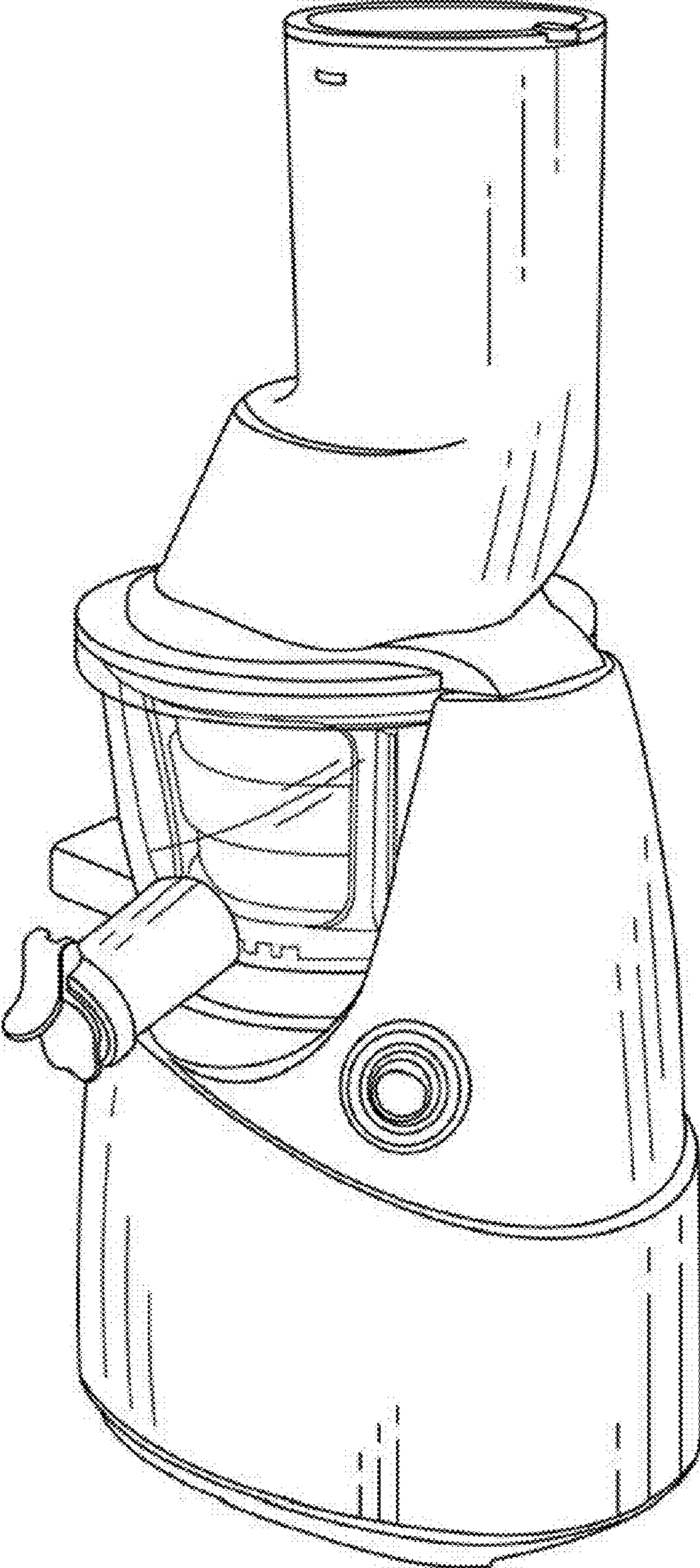


FIG. 1

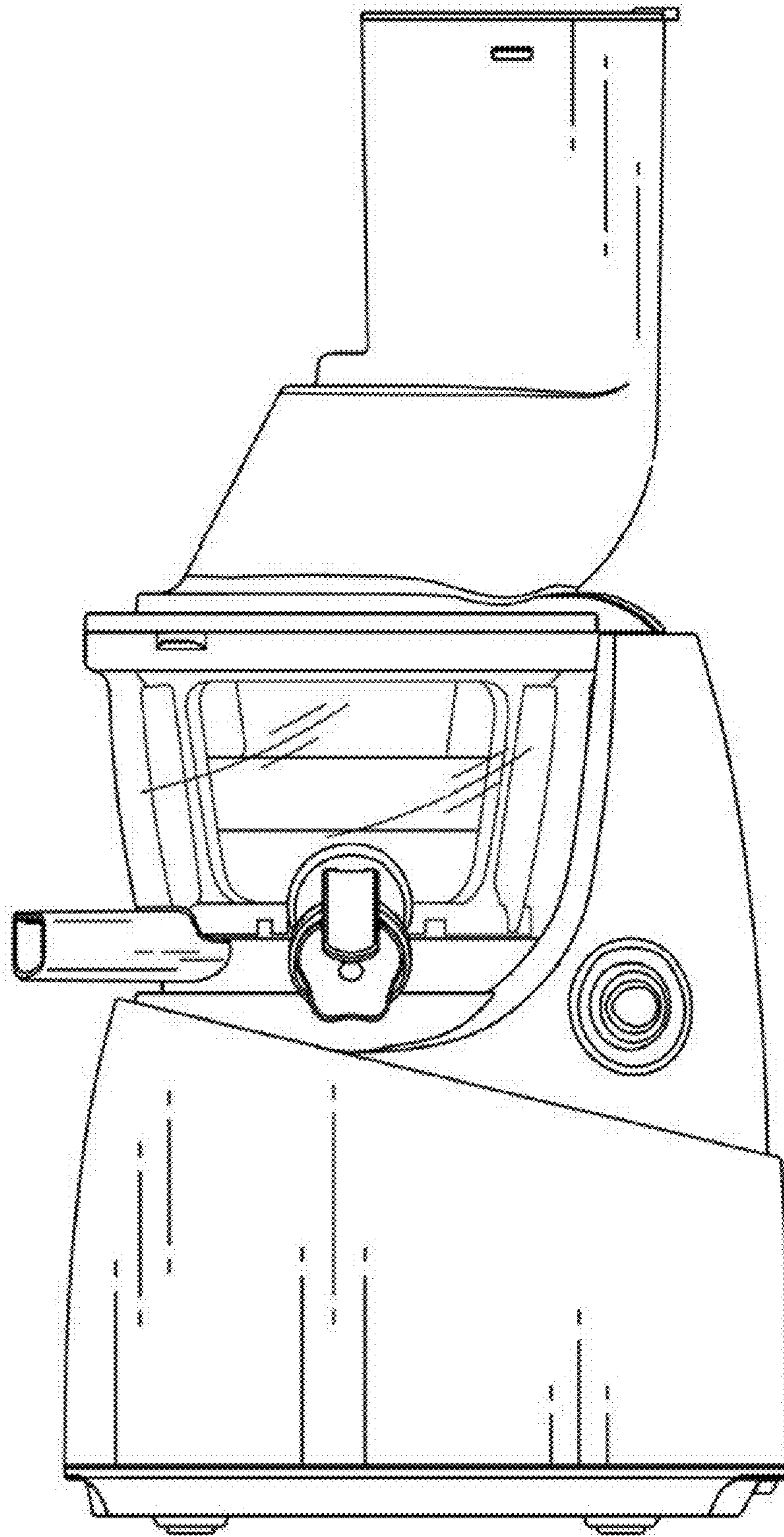


FIG. 2

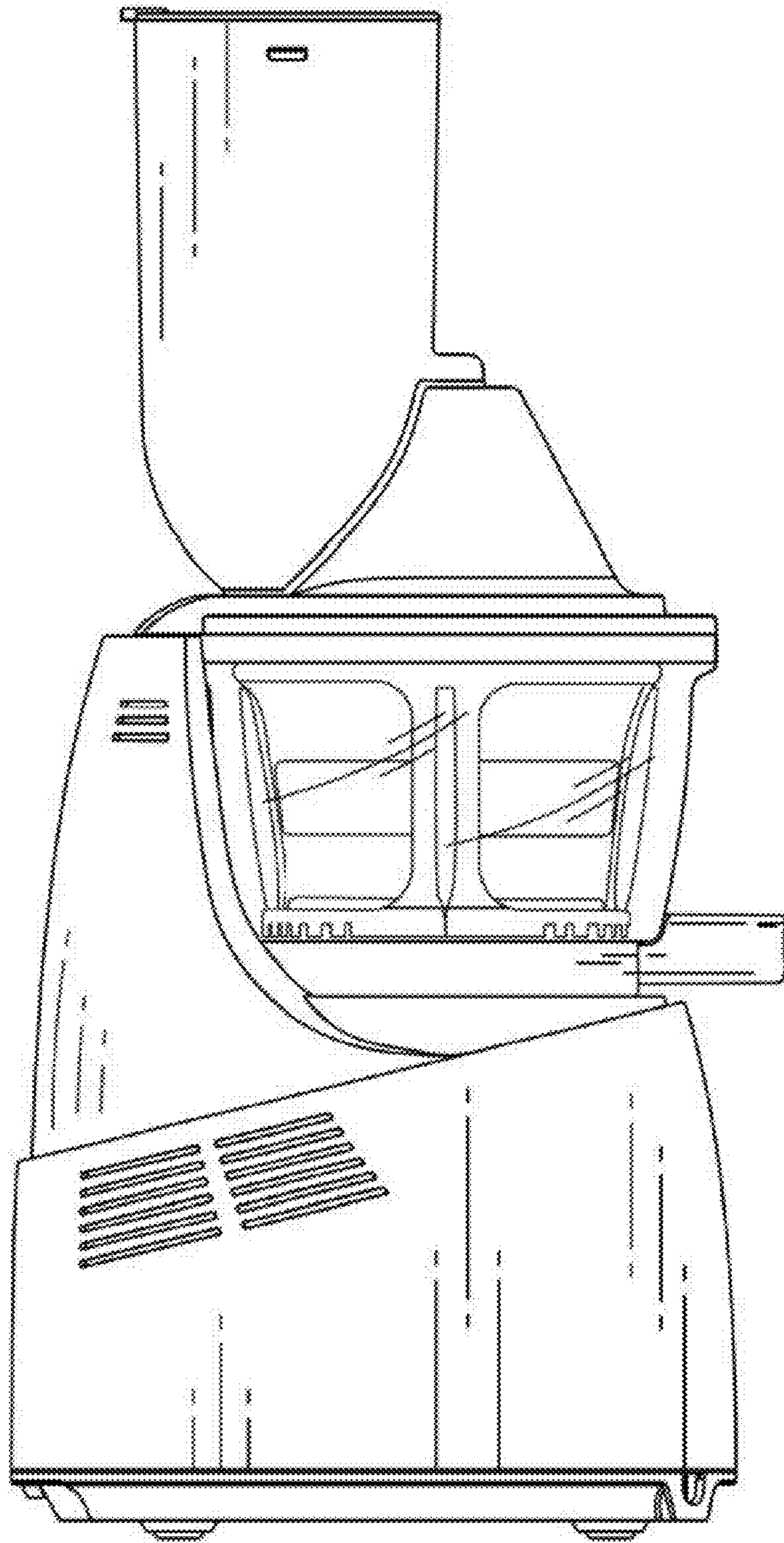


FIG. 3

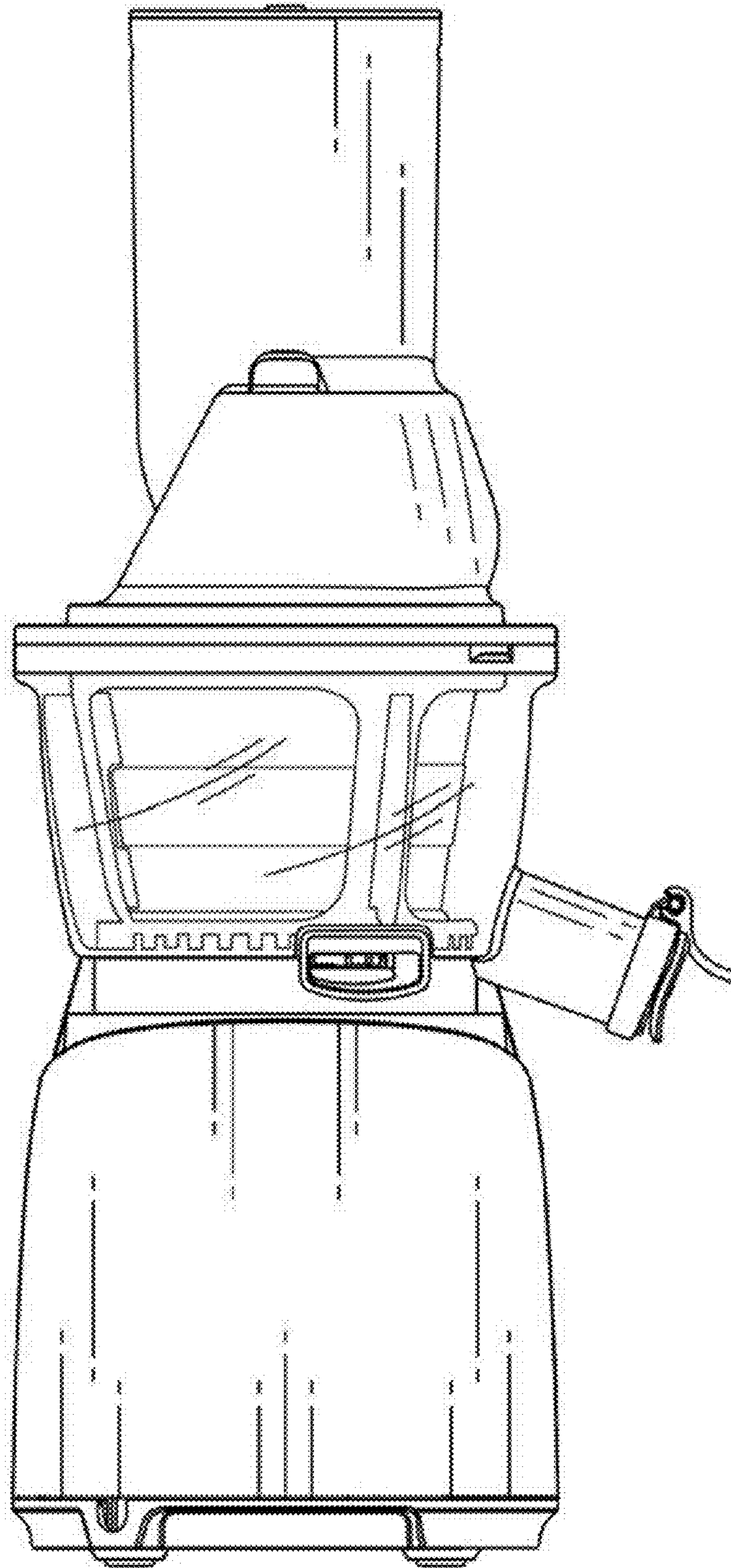


FIG. 4

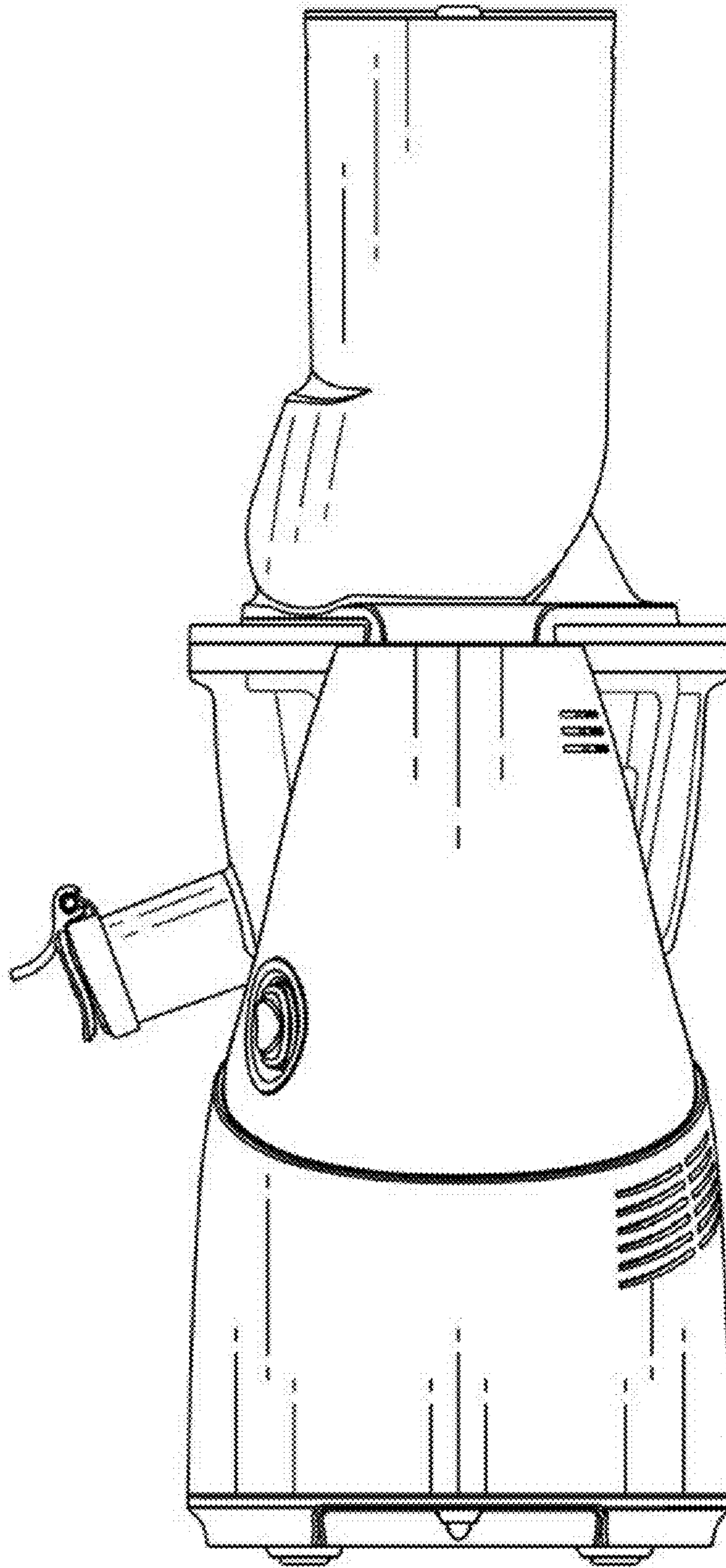


FIG. 5

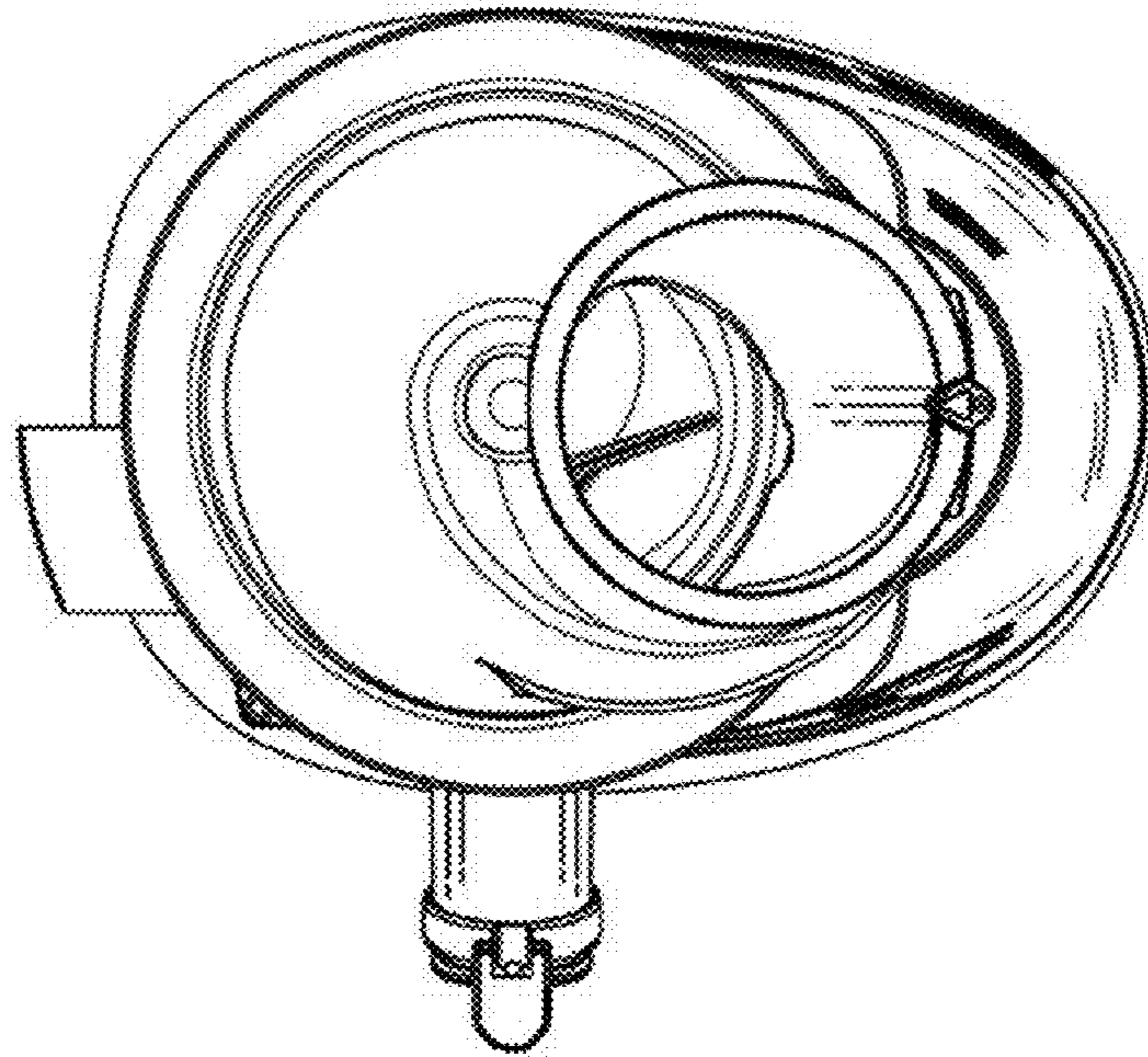


FIG. 6

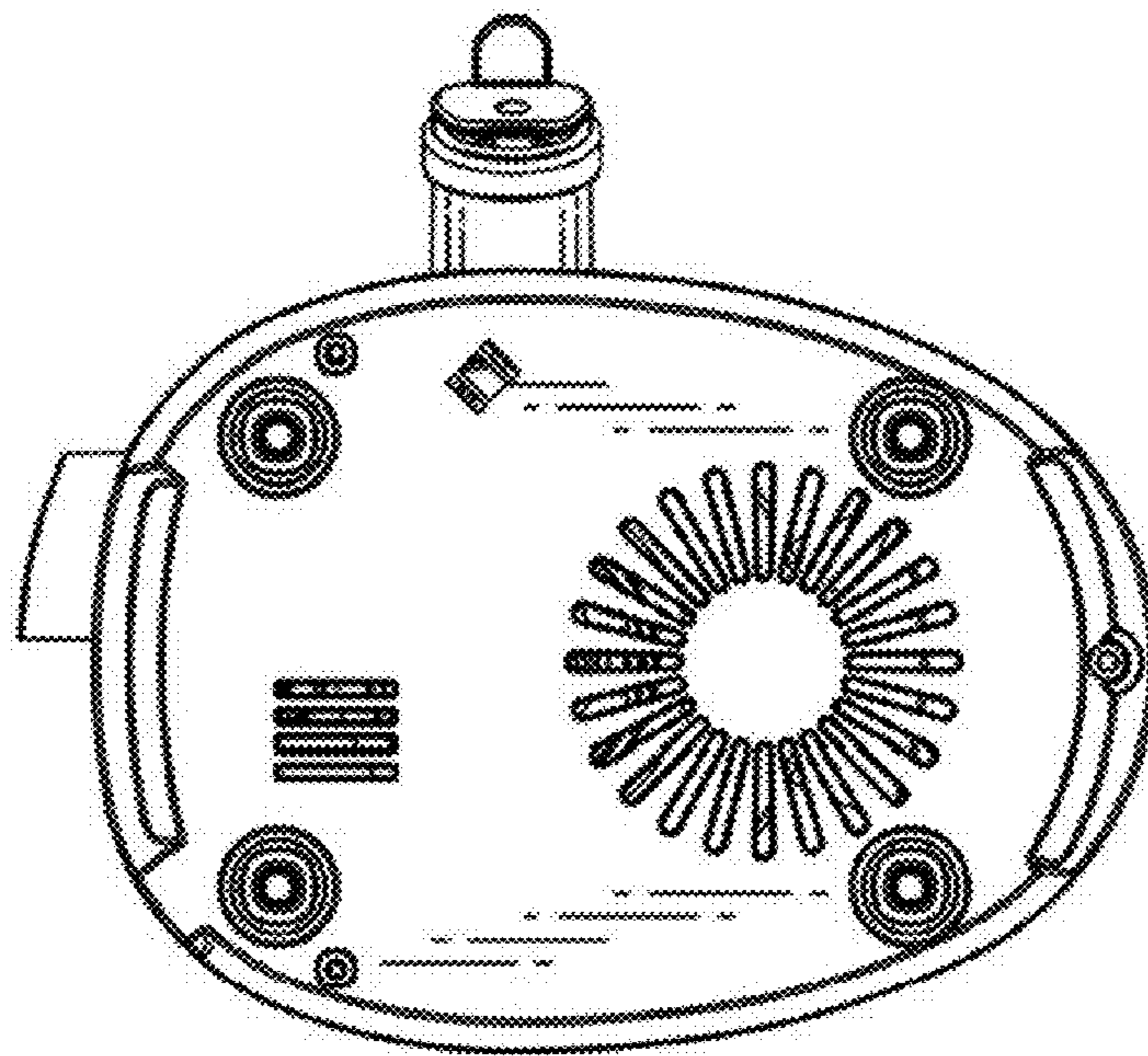


FIG. 7