

US00D760551S

(12) **United States Design Patent**  
**Laamanen**

(10) **Patent No.:** **US D760,551 S**  
(45) **Date of Patent:** **\*\* Jul. 5, 2016**

(54) **KNIFE HOLDER**

(71) Applicant: **Heikki Laamanen**, Porvoo (FI)

(72) Inventor: **Heikki Laamanen**, Porvoo (FI)

(\*\*) Term: **15 Years**

(21) Appl. No.: **35/500,312**

(22) Filed: **May 29, 2015**

(80) **Hague Agreement Data**

Int. Filing Date: **May 29, 2015**

Int. Reg. No.: **DM/086 600**

Int. Reg. Date: **May 29, 2015**

Int. Reg. Pub. Date: **Dec. 4, 2015**

(51) **LOC (10) Cl.** ..... **07-99**

(52) **U.S. Cl.**  
USPC ..... **D7/637**

(58) **Field of Classification Search**  
USPC ..... **D7/637**  
CPC ..... **A47G 21/14**  
See application file for complete search history.

(56) **References Cited**

U.S. PATENT DOCUMENTS

D371,727	S	*	7/1996	Gebhardt	.....	D7/637
D382,774	S	*	8/1997	Cohen	.....	D7/637
D494,023	S	*	8/2004	Siegel	.....	D7/637
6,877,231	B2	*	4/2005	Rosenberg	.....	A47G 21/14 248/37.3
D591,566	S	*	5/2009	Yamada	.....	D7/637
D669,321	S	*	10/2012	Pezzini	.....	D7/637
D712,706	S	*	9/2014	de Bretton Gordon	.....	D7/637

\* cited by examiner

*Primary Examiner* — George D Kirschbaum

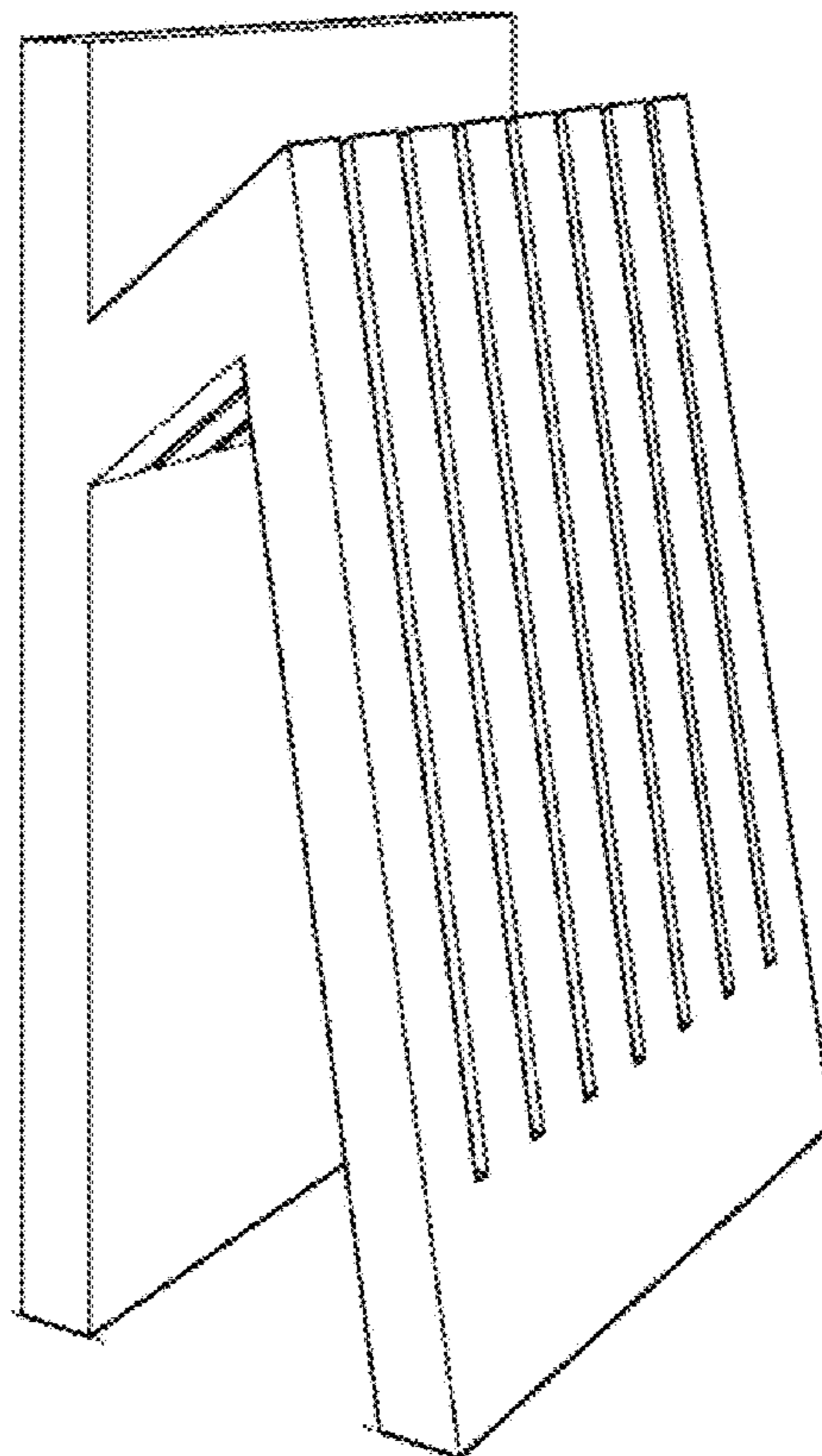
(57) **CLAIM**

The ornamental design for knife holder, as shown and described.

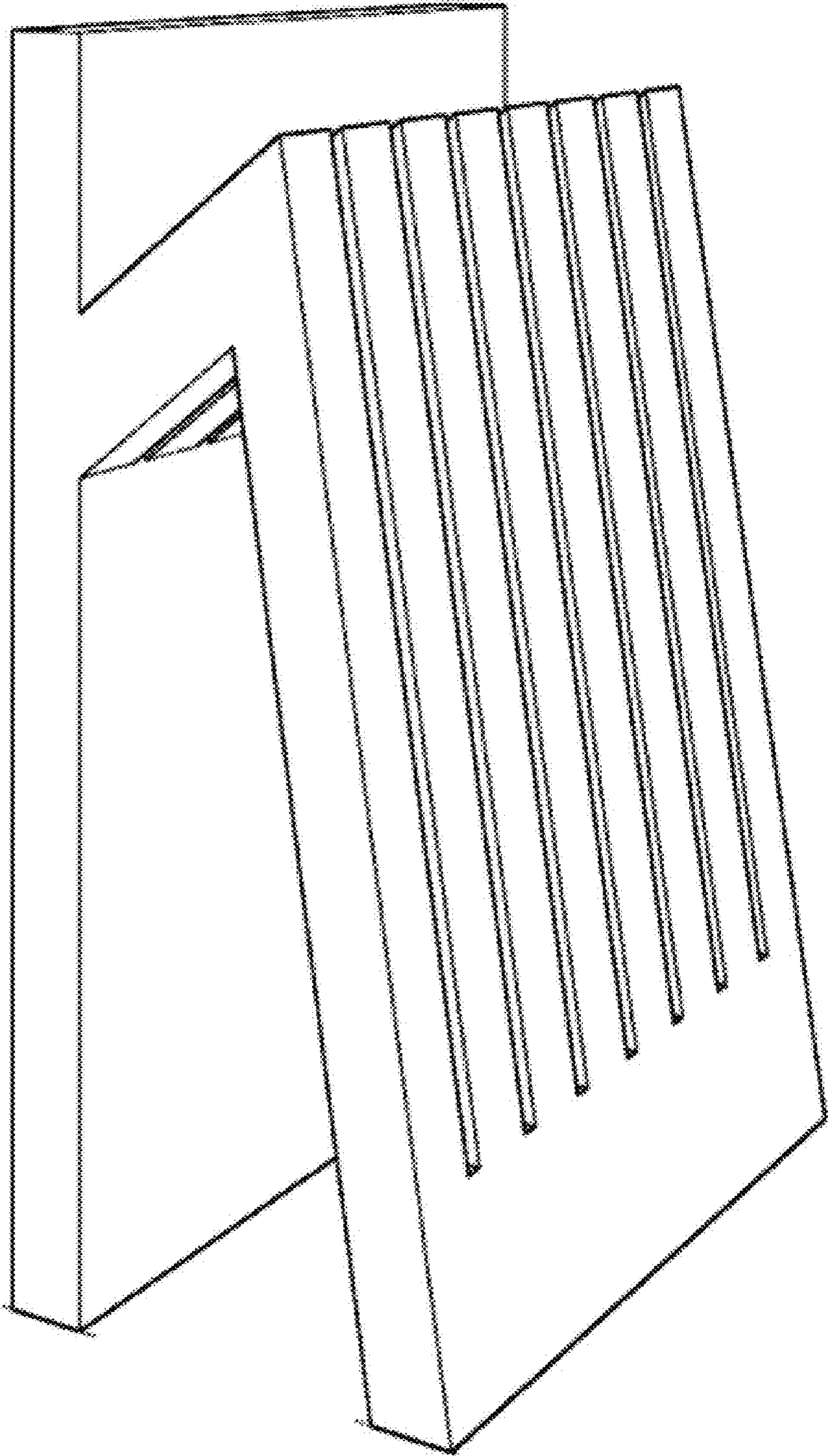
**DESCRIPTION**

1. Knife holder
- 1.1 is a perspective view.
- 1.2 is a front view.
- 1.3 is a rear view.
- 1.4 is a right side view.
- 1.5 is a left side view.
- 1.6 is a top view.
- 1.7 is a bottom view.

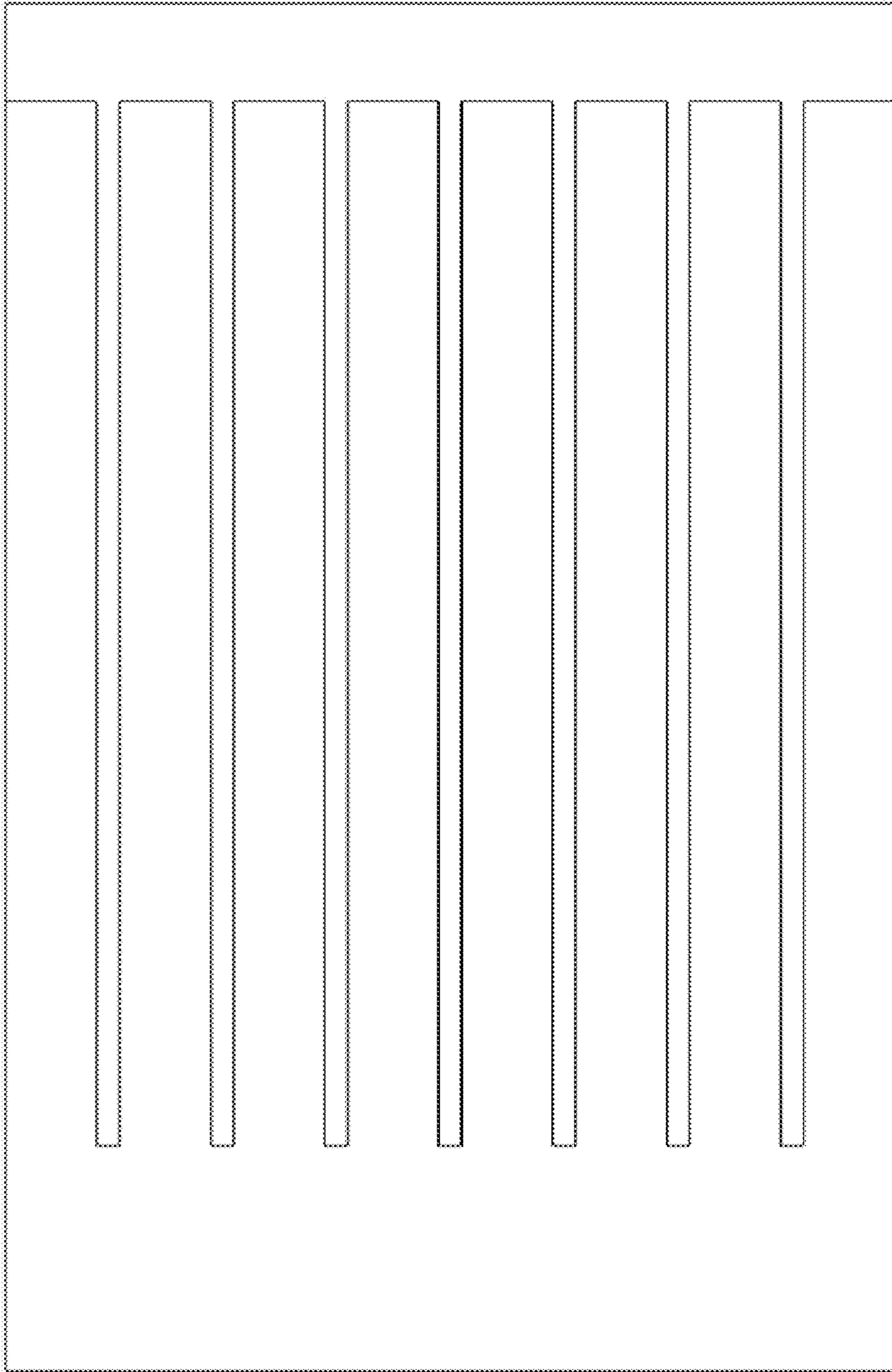
**1 Claim, 7 Drawing Sheets**



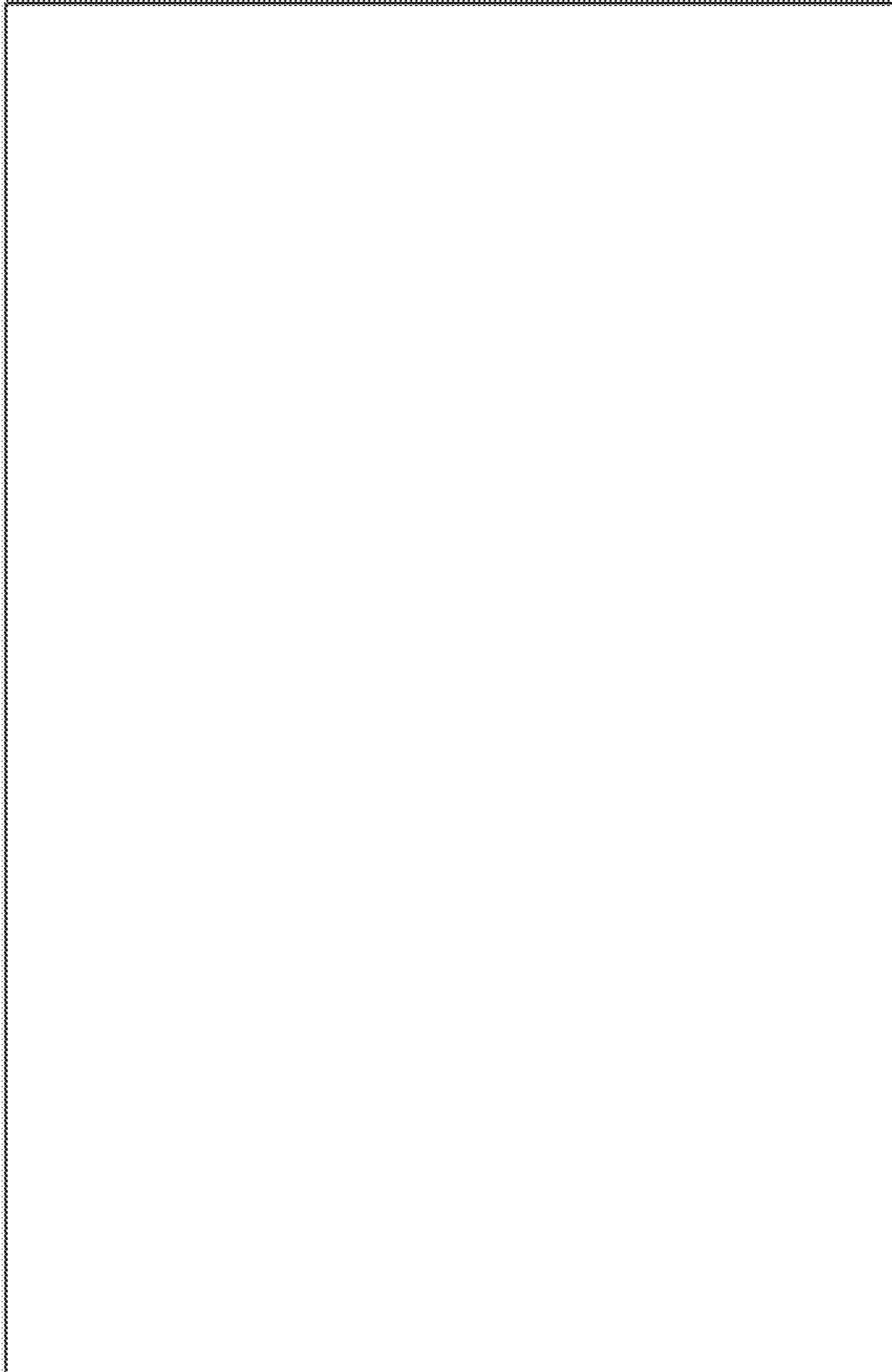
**1.1**



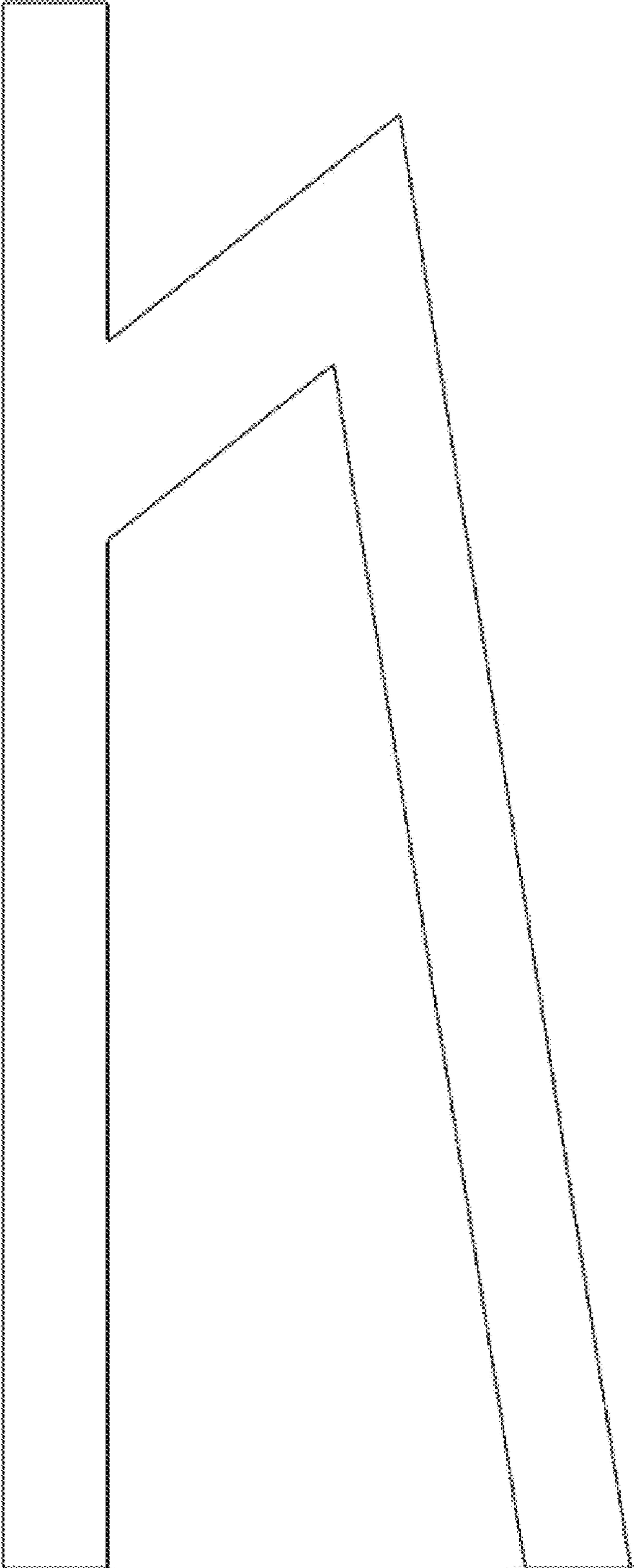
# 1.2



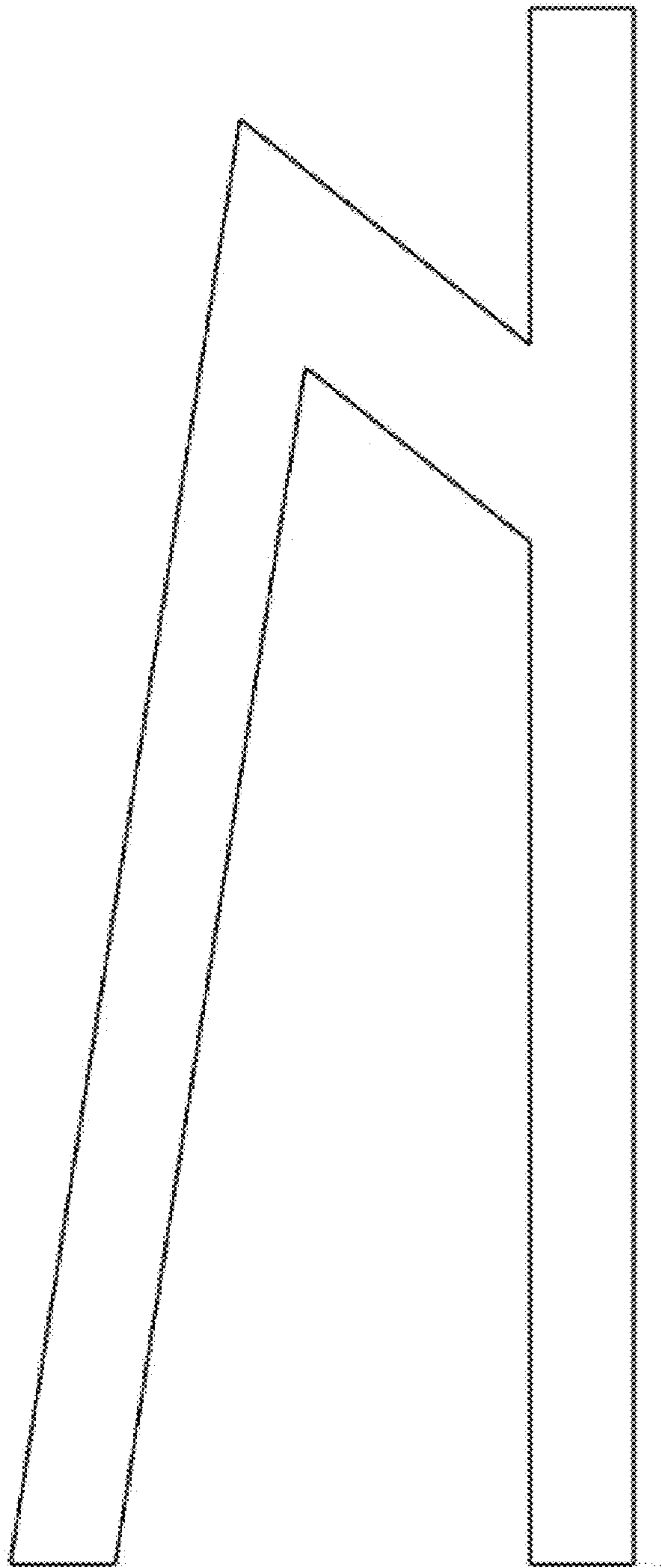
# **1.3**



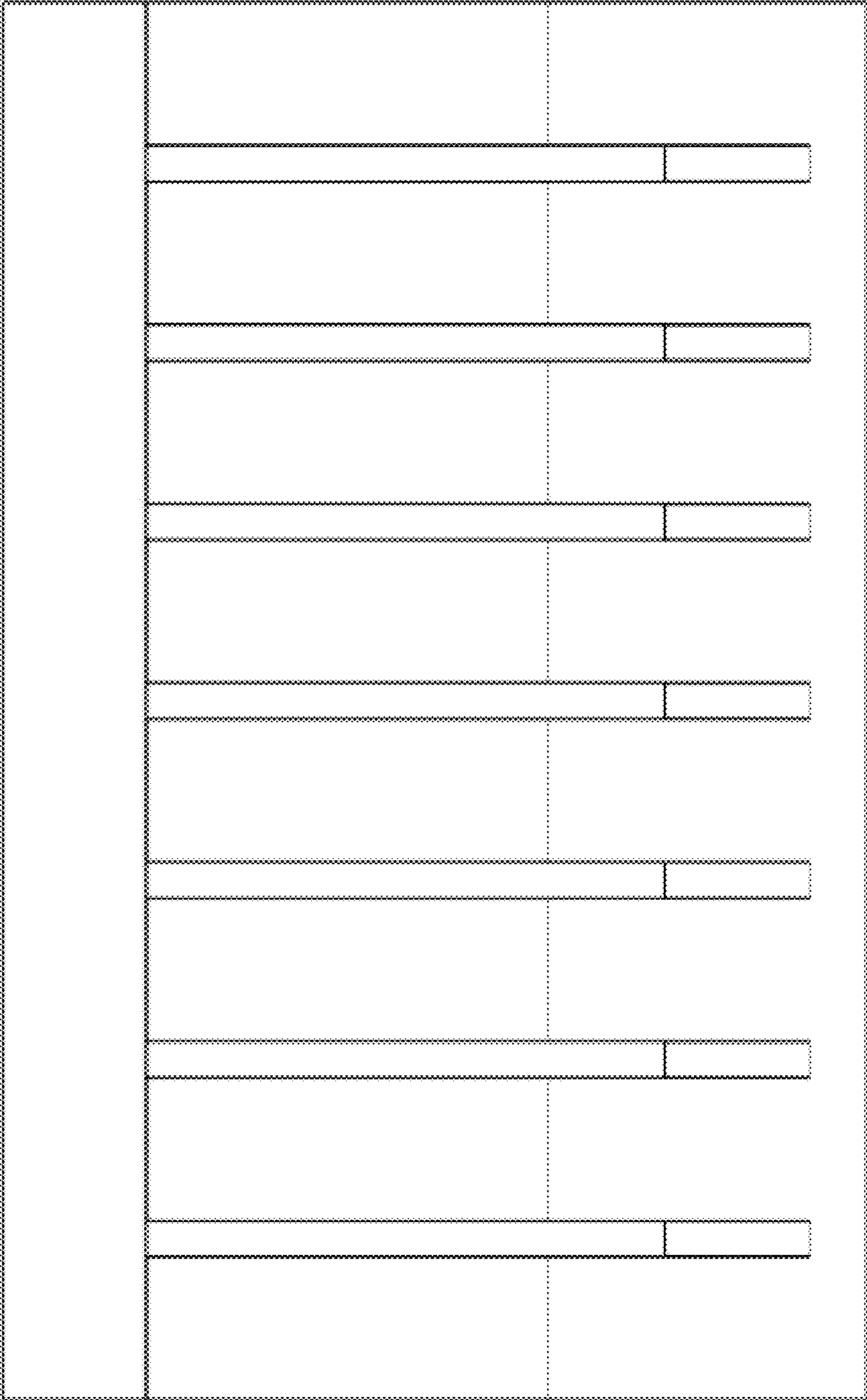
**1.4**



**1.5**



# 1.6



**1.7**

