



US00D760550S

(12) **United States Design Patent**
Haytayan et al.

(10) **Patent No.:** **US D760,550 S**
(45) **Date of Patent:** **** Jul. 5, 2016**

(54) **BASE COVER FOR A CONTAINER**

(71) Applicant: **GadgITGirlz, LLC**, Glendale, CA (US)

(72) Inventors: **Alita Haytayan**, Los Angeles, CA (US);
Celeste Nameth, Studio City, CA (US)

(73) Assignee: **GadgITGirlz, LLC**, Glendale, CA (US)

(**) Term: **15 Years**

(21) Appl. No.: **29/536,703**

(22) Filed: **Aug. 19, 2015**

(51) **LOC (10) Cl.** **07-06**

(52) **U.S. Cl.**

USPC **D7/624.1**

(58) **Field of Classification Search**

USPC D7/619.1-625, 701-708, 388; D9/455,
D9/444

CPC .. A45F 5/10; A47G 19/2205; A47G 19/2261;
A47G 23/0266; A47G 23/0216; A47G 23/03;
B65D 83/38; B65D 25/24; B65D 81/3879;
B65D 81/3876; B65D 81/3881; F25D 3/08;
A47L 23/00

See application file for complete search history.

(56) **References Cited**

U.S. PATENT DOCUMENTS

2,589,967	A *	3/1952	Sawyer	A47G 19/2261 215/372
2,727,645	A	5/1955	Dore		
5,040,719	A *	8/1991	Ballway	A47G 19/2205 215/10
5,071,096	A *	12/1991	Hartmann	A47G 23/0216 248/154
5,123,558	A	6/1992	Moloney		
5,285,996	A	2/1994	Waller		
5,335,954	A *	8/1994	Holub	A45F 5/10 215/376
5,842,675	A	12/1998	Davitt		
6,123,220	A	9/2000	Williams		
6,571,976	B1 *	6/2003	Sonnabend	B65D 25/24 220/483

(Continued)

OTHER PUBLICATIONS

Design U.S. Appl. No. 29/497,622, filed Jul. 25, 2014. (11 pages).

(Continued)

Primary Examiner — Terry Wallace

(74) *Attorney, Agent, or Firm* — K&L Gates LLP

(57) **CLAIM**

The ornamental design for a base cover for a container, as shown and described.

DESCRIPTION

FIG. 1 illustrates a perspective view of the base cover for a container showing our new design.

FIG. 2 illustrates a top perspective view thereof.

FIG. 3 illustrates a bottom perspective view thereof.

FIG. 4 illustrates a left side view thereof, the right side view being a mirror image.

FIG. 5 illustrates a front view thereof, the rear view being a mirror image.

FIG. 6 illustrates a top plan view thereof.

FIG. 7 illustrates a bottom plan view thereof.

FIG. 8 illustrates a cross-sectional view thereof taken along line 8-8 of FIG. 6.

FIG. 9 illustrates a perspective view of an alternate embodiment of FIG. 1.

FIG. 10 illustrates a top perspective view of FIG. 9.

FIG. 11 illustrates a bottom perspective view of FIG. 9.

FIG. 12 illustrates a left side view of FIG. 9, the right side view being a mirror image.

FIG. 13 illustrates a front view of FIG. 9, the rear view being a mirror image.

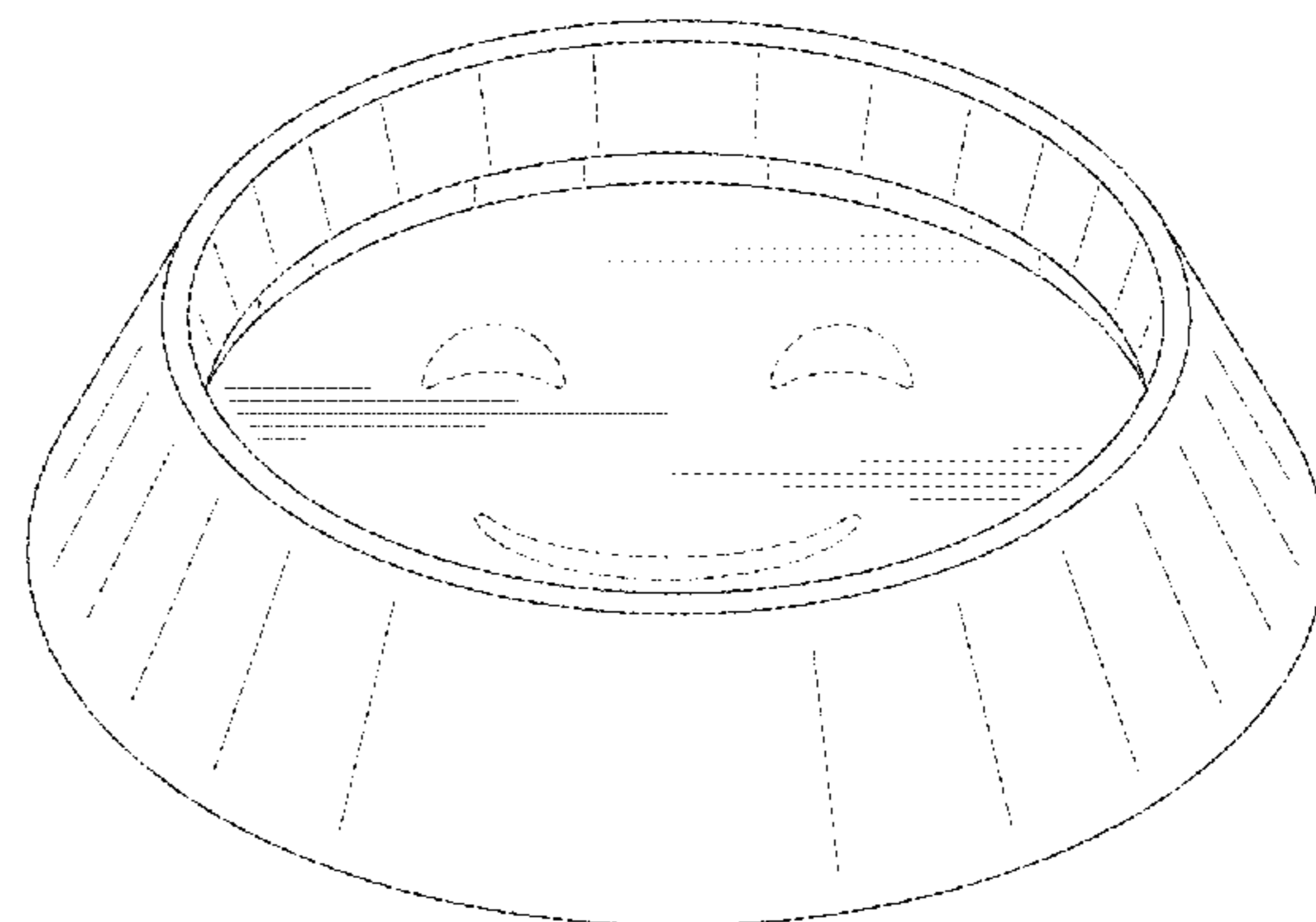
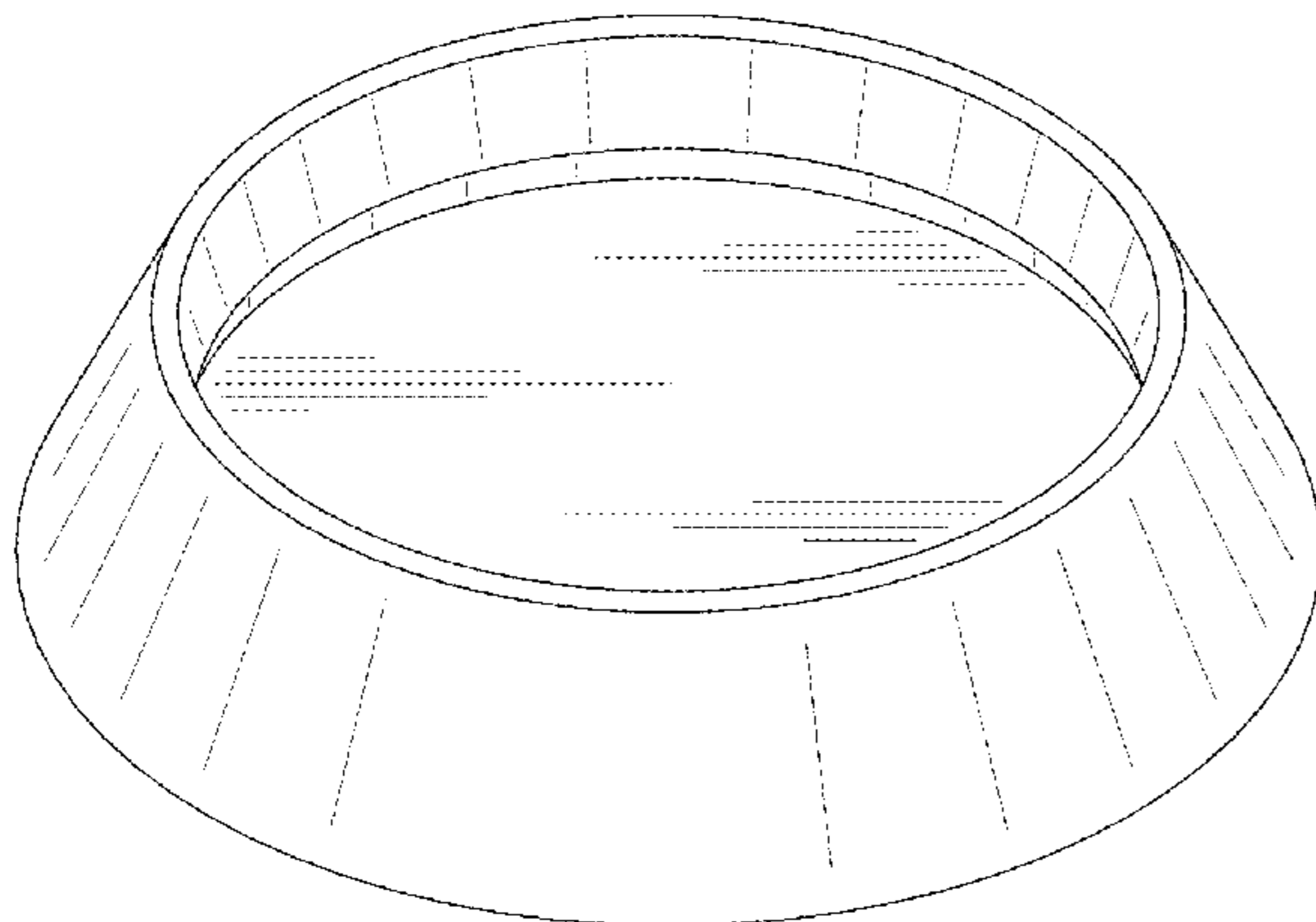
FIG. 14 illustrates a top plan view of FIG. 9.

FIG. 15 illustrates a bottom plan view of FIG. 9; and,

FIG. 16 illustrates a cross-sectional view of FIG. 9, taken along line 16-16 of FIG. 14.

The broken lines showing the can are for illustrative purposes only and form no part of the claimed design.

1 Claim, 8 Drawing Sheets



(56)

References Cited

U.S. PATENT DOCUMENTS

6,786,062 B1 * 9/2004 Greenberg F25D 3/08
62/457.4
6,877,705 B2 4/2005 Dauer
D523,293 S * 6/2006 Disbrow D7/619.1
D557,567 S * 12/2007 Gronikowski D7/622
8,025,169 B2 * 9/2011 Zimmerman A47G 19/2261
220/23.86
8,272,523 B1 * 9/2012 DeMuisis, Sr. A47L 23/00
215/393

2007/0012706 A1* 1/2007 Deadman B65D 81/3879
220/737
2011/0198473 A1 8/2011 McDonough et al.

OTHER PUBLICATIONS

Rust-O-Less product listed available for sale at least as early as Feb.
8, 2014, retrieved online from <http://web.archive.org/web/20140208111233/http://www.rustoles.com/>. (2 pages).

* cited by examiner

FIG. 1

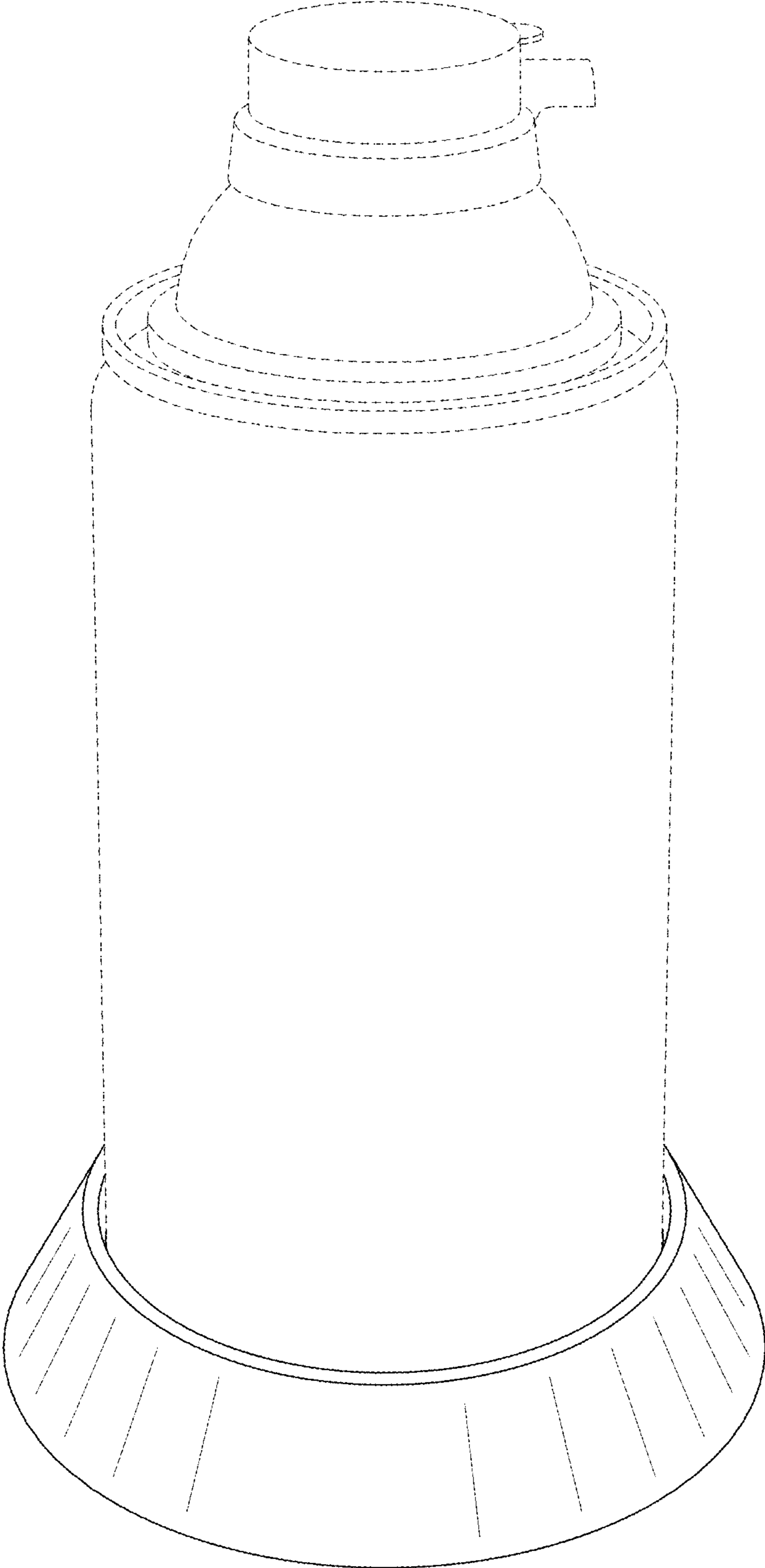


FIG. 2

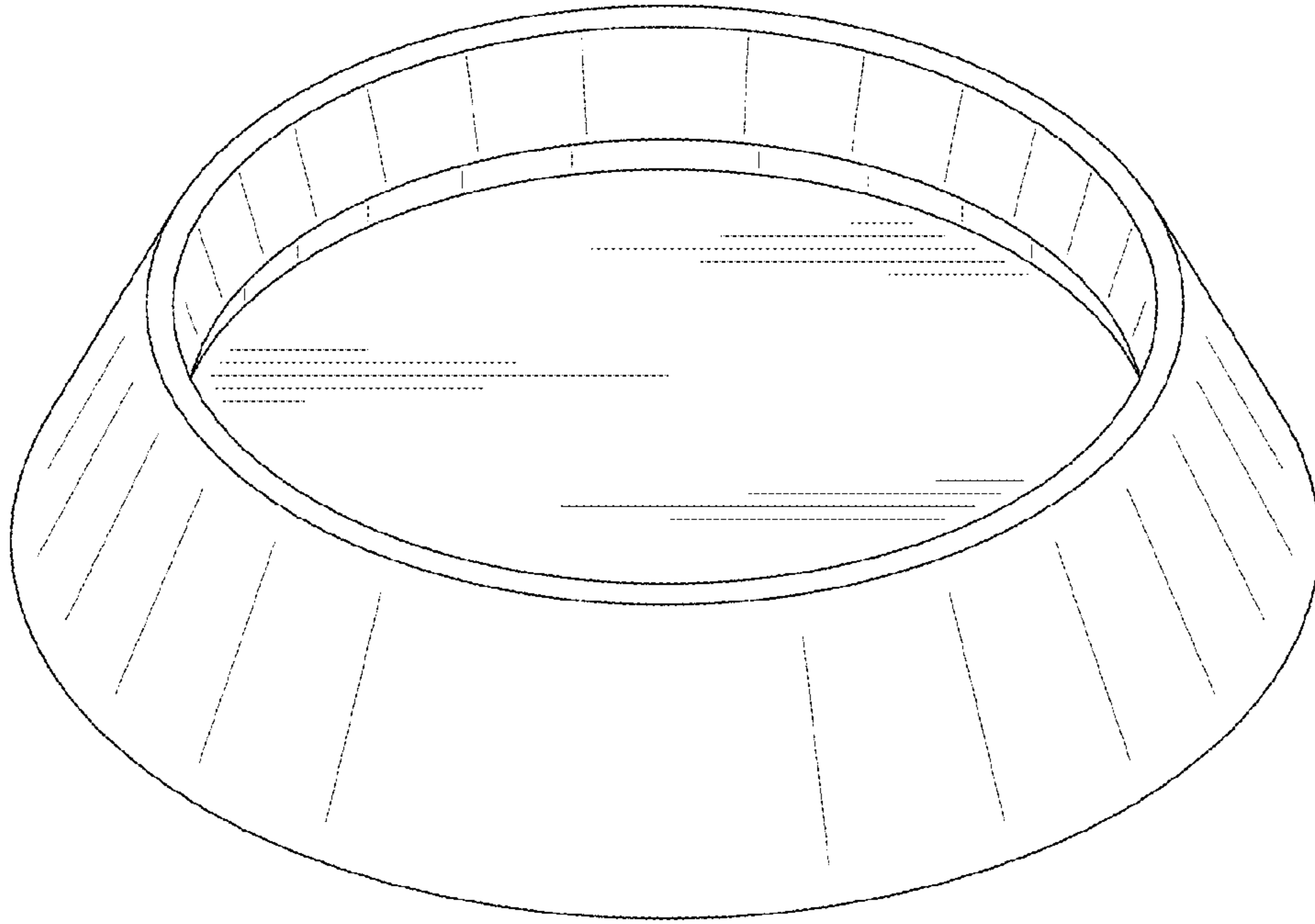


FIG. 3

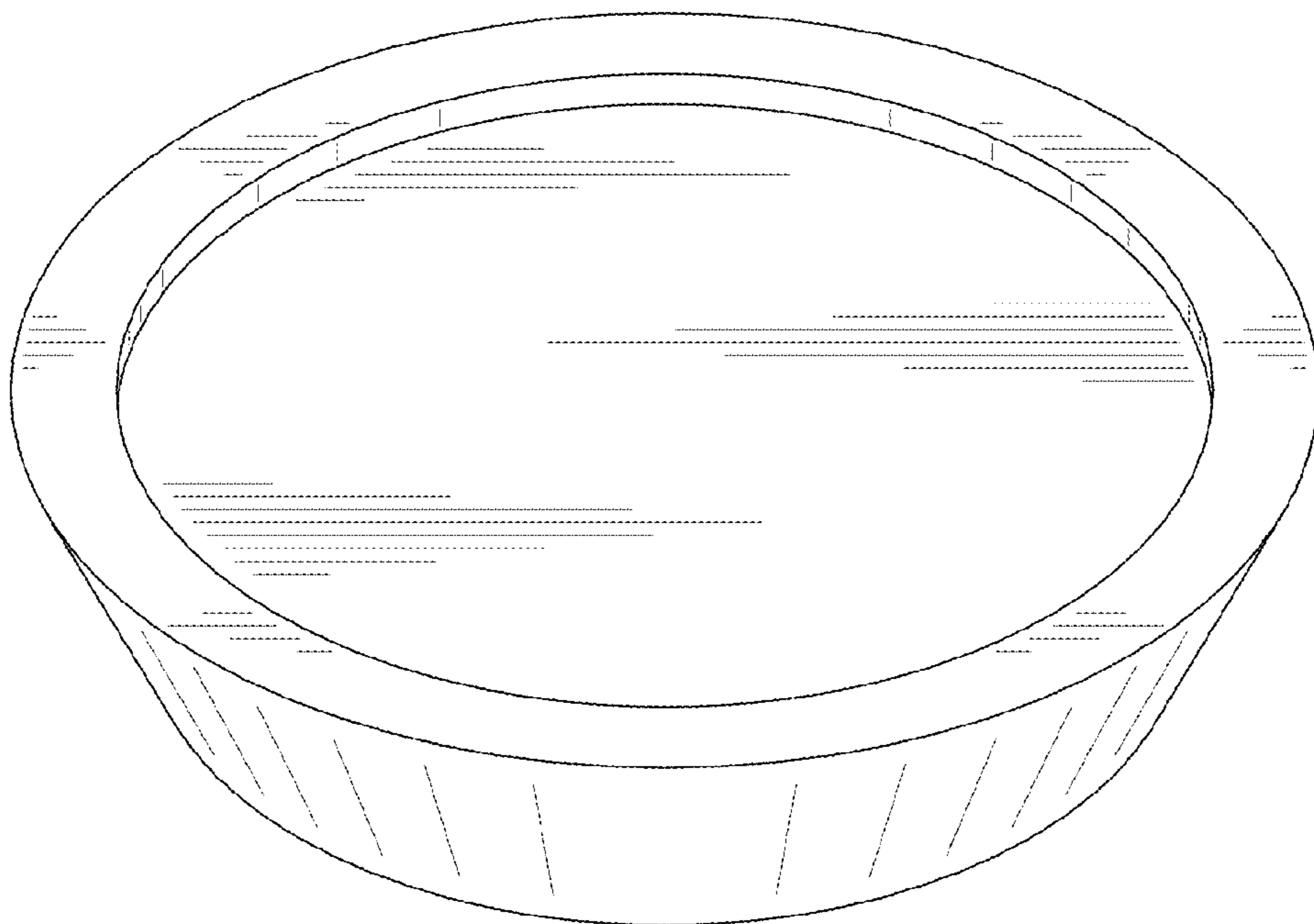


FIG. 4

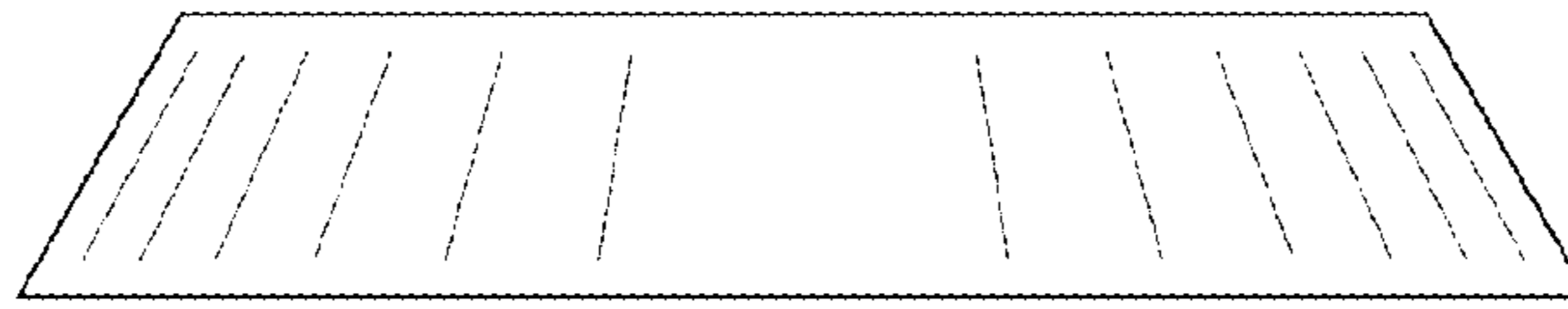


FIG. 5

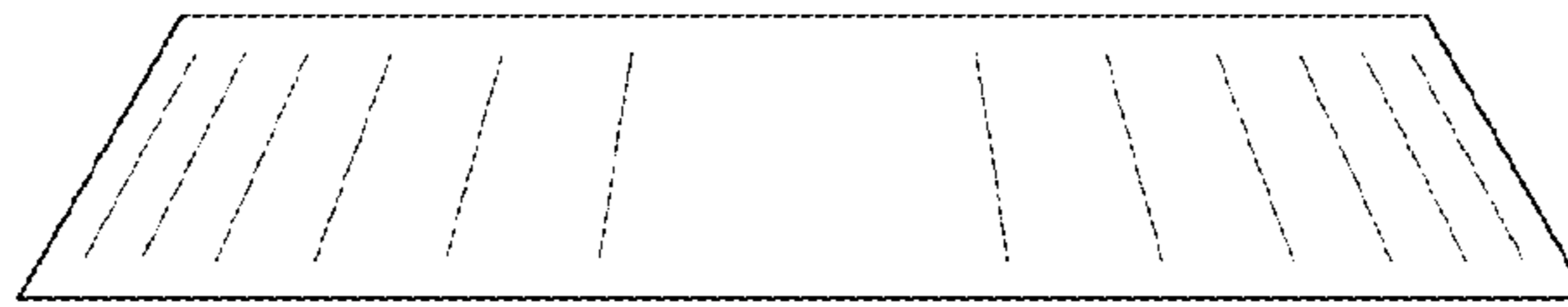


FIG. 6

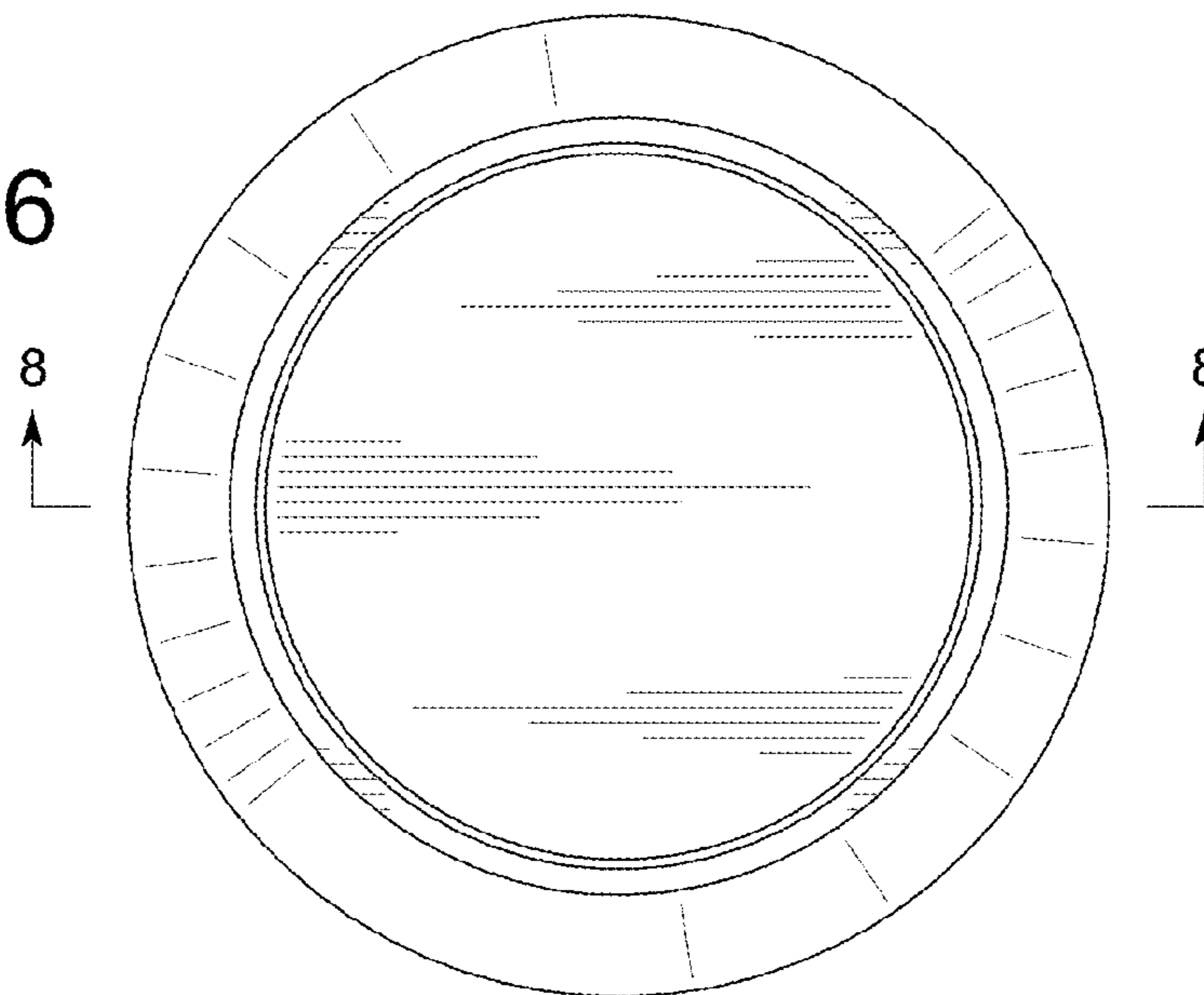


FIG. 7

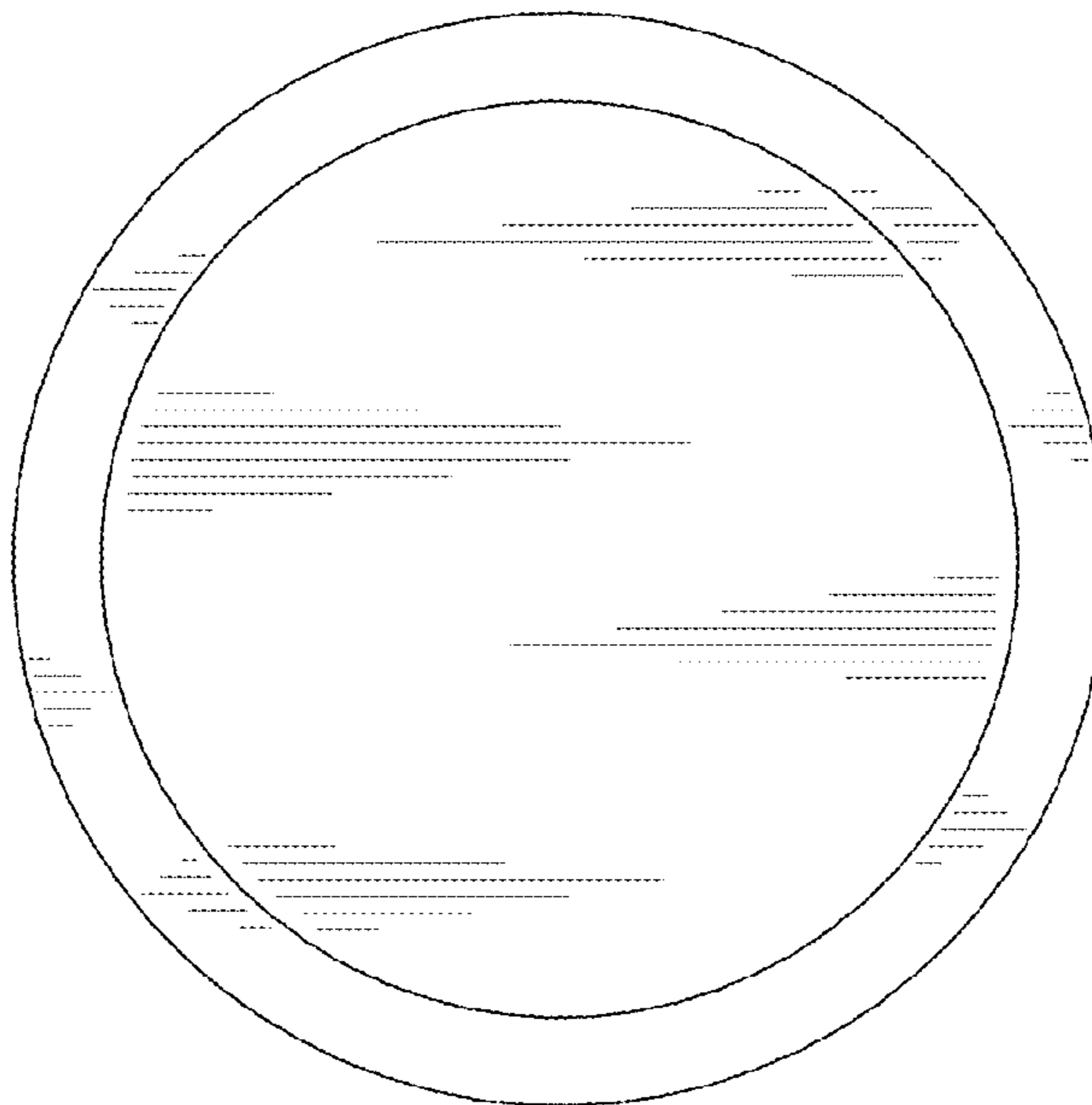


FIG. 8

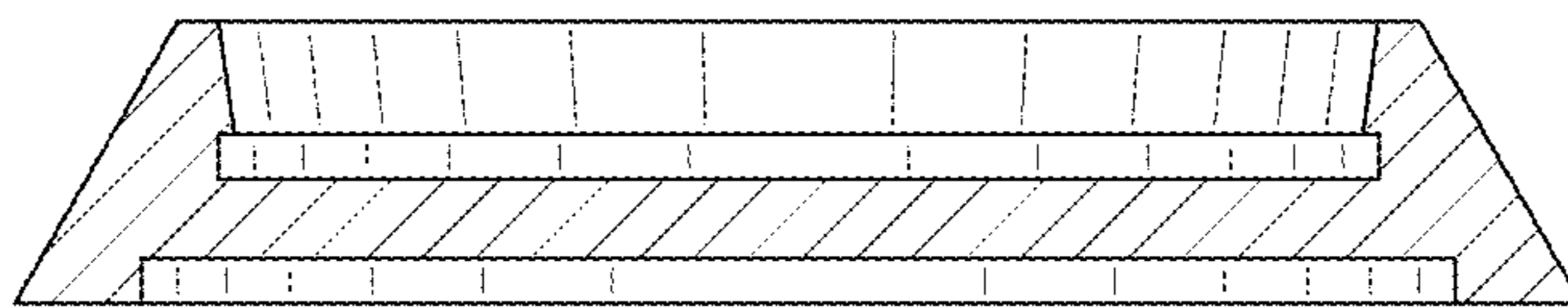


FIG. 9

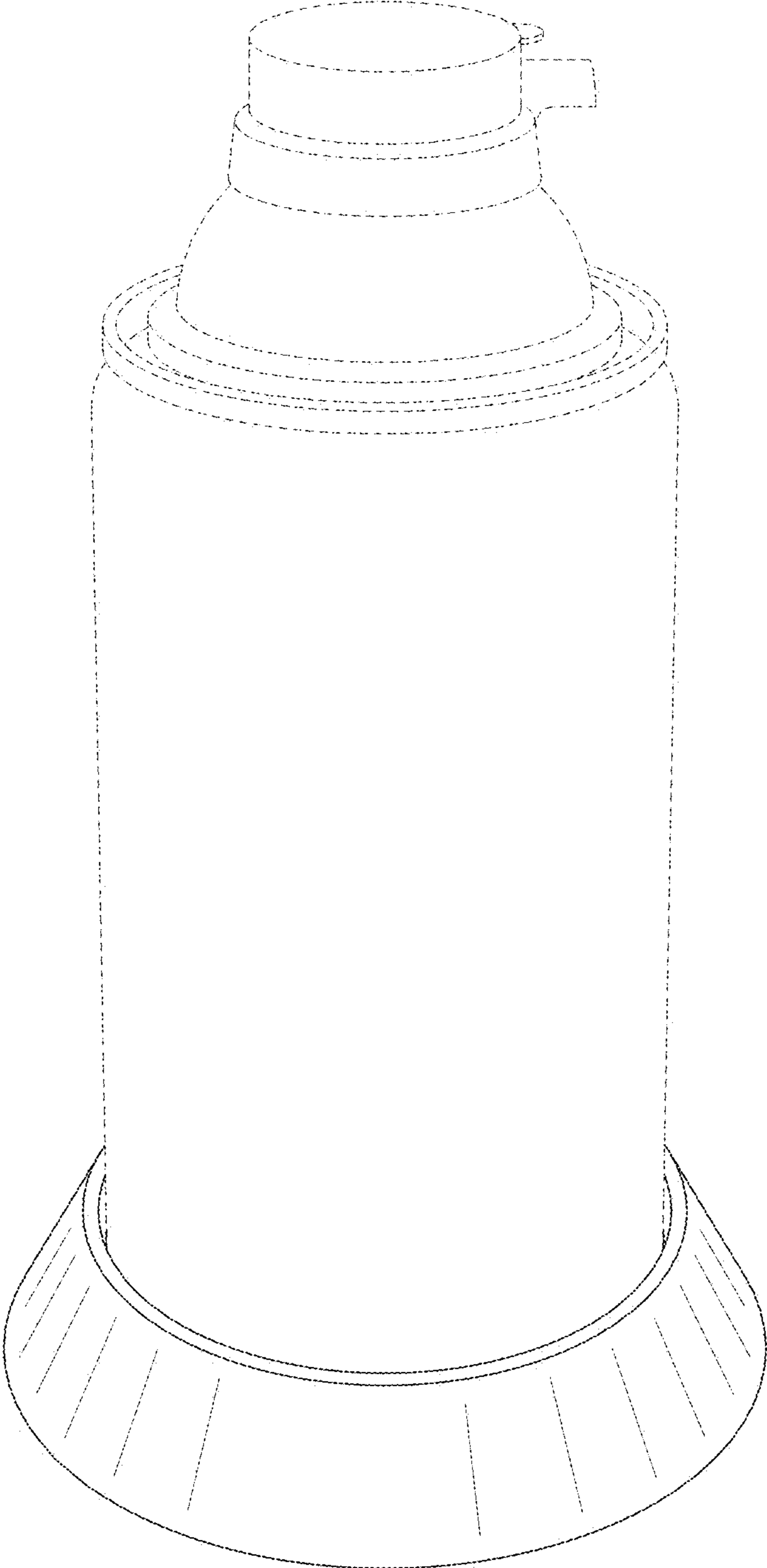


FIG. 10

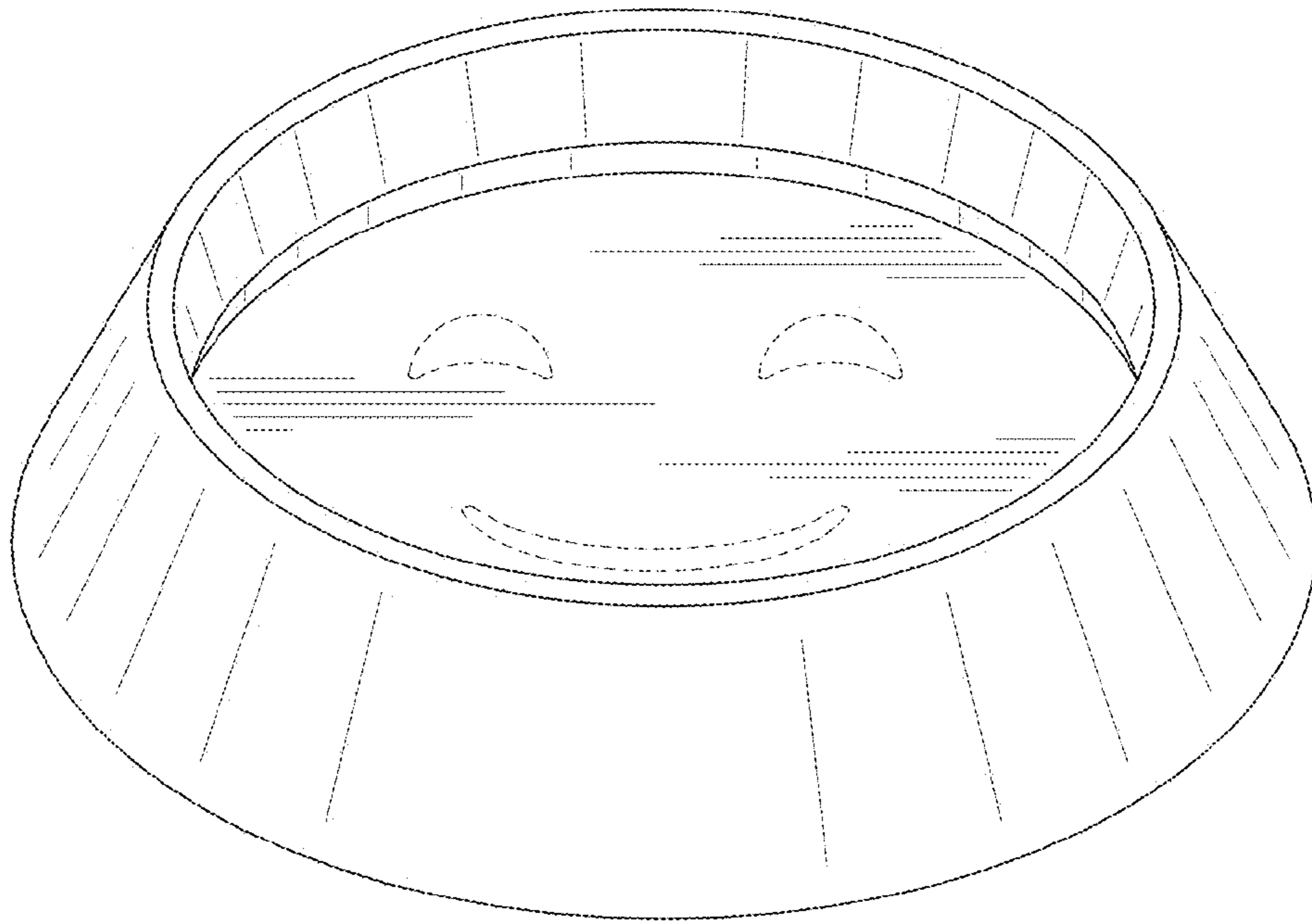


FIG. 11

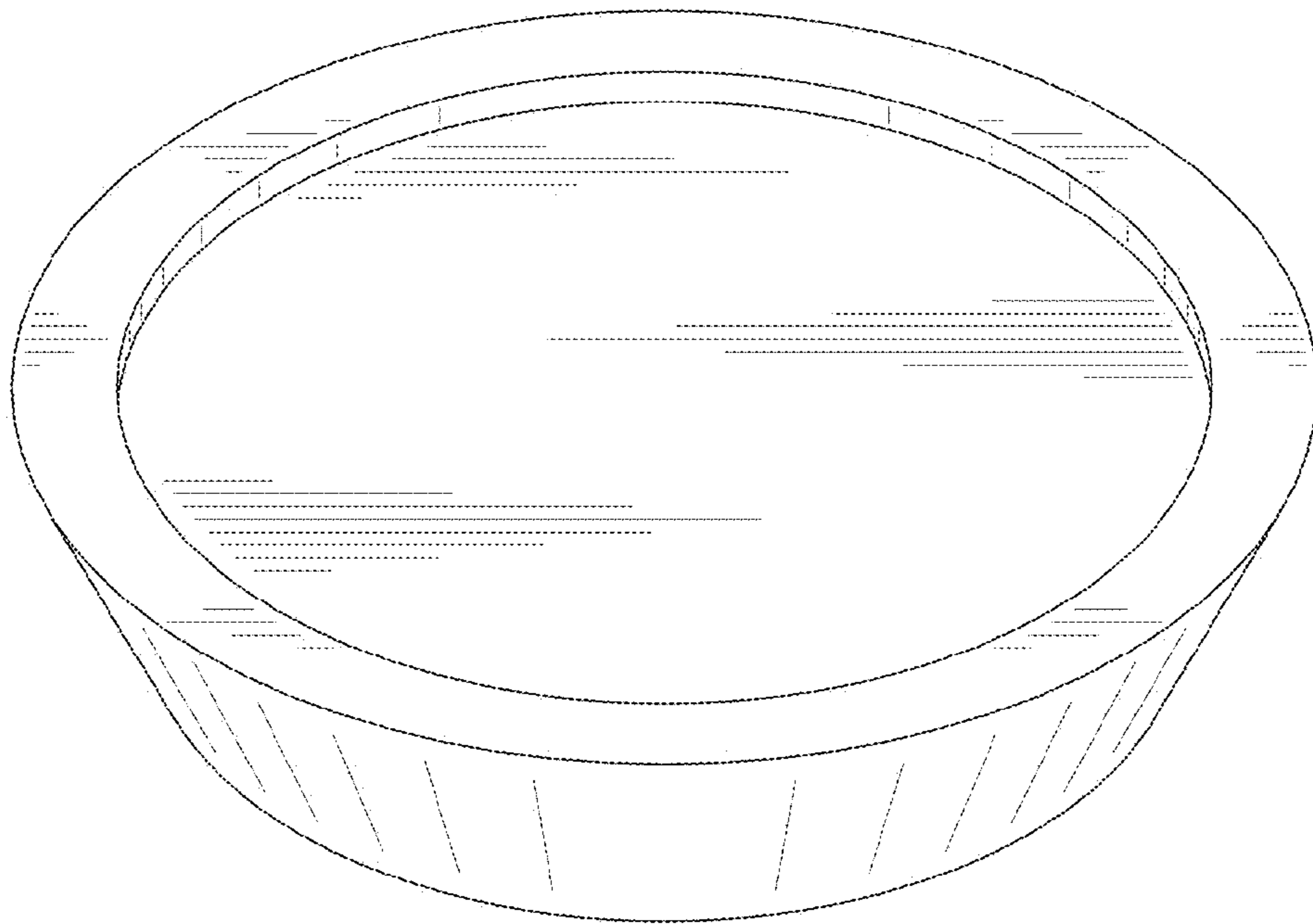


FIG. 12



FIG. 13



FIG. 14

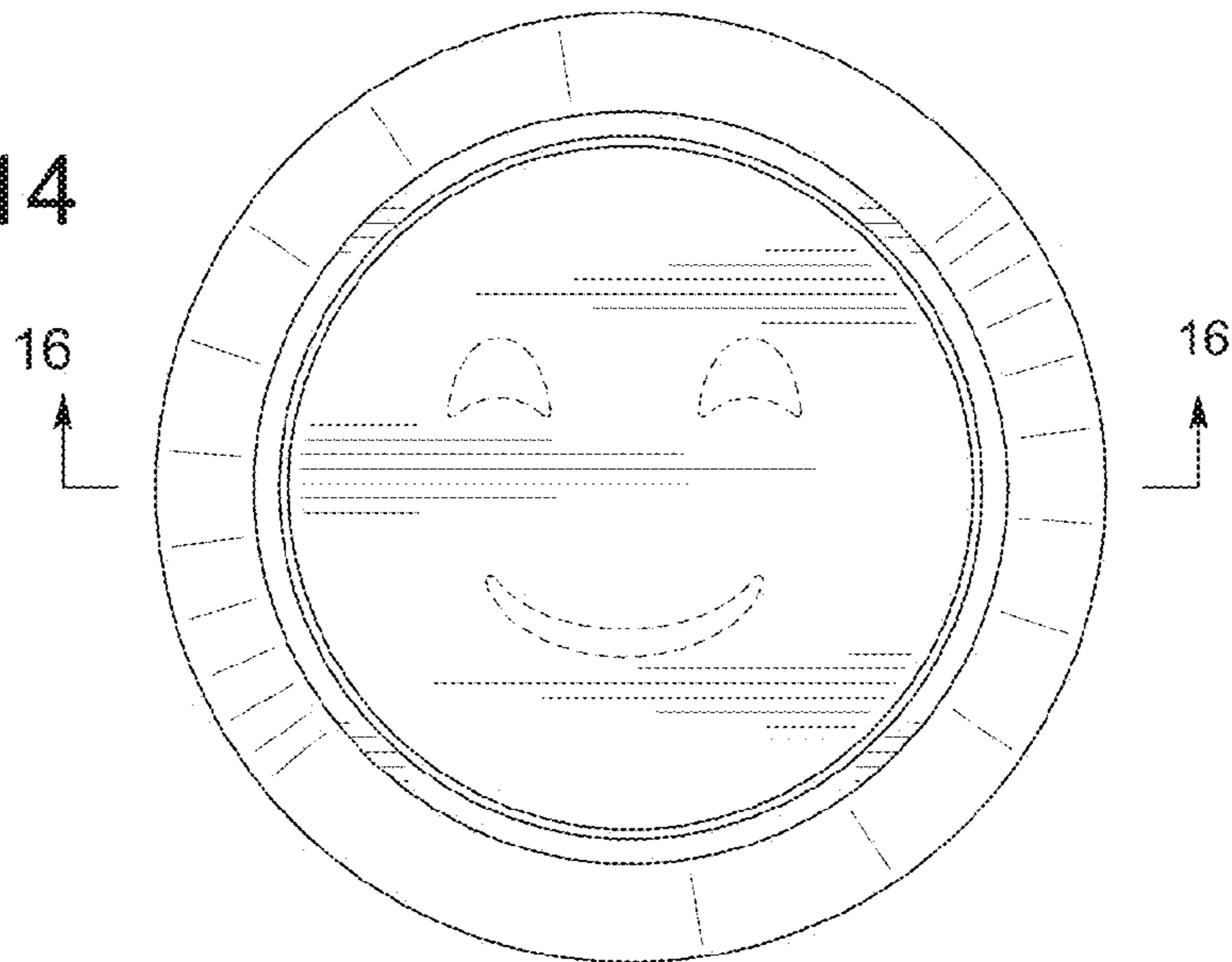


FIG. 15

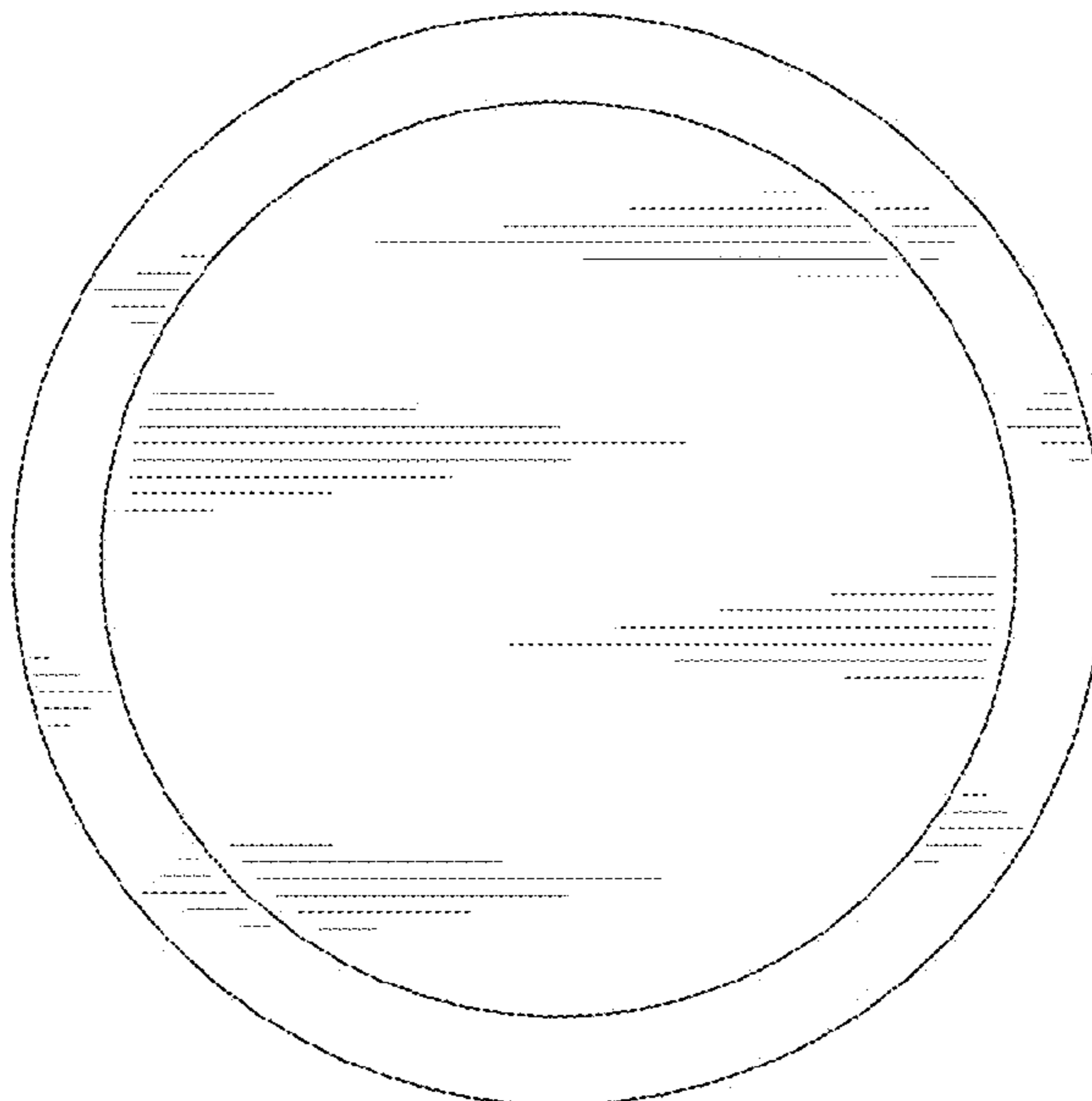


FIG. 16

