

US00D760549S

(12) **United States Design Patent**  
**Haytayan et al.**

(10) **Patent No.:** **US D760,549 S**  
(45) **Date of Patent:** **\*\* Jul. 5, 2016**

- (54) **BASE COVER FOR A CONTAINER**
- (71) Applicants: **Alita Haytayan**, Los Angeles, CA (US);  
**Celeste Nameth**, Studio City, CA (US)
- (72) Inventors: **Alita Haytayan**, Los Angeles, CA (US);  
**Celeste Nameth**, Studio City, CA (US)
- (73) Assignee: **GadgITGirlz, LLC**, Glendale, CA (US)
- (\*\*) Term: **14 Years**
- (21) Appl. No.: **29/497,622**
- (22) Filed: **Jul. 25, 2014**
- (51) **LOC (10) Cl.** ..... **07-06**
- (52) **U.S. Cl.**  
USPC ..... **D7/624.1**
- (58) **Field of Classification Search**  
USPC ..... D7/619.1-625, 701-708, 388  
CPC .. A45F 5/10; A47G 19/2205; A47G 19/2261;  
A47G 23/0266; A47G 23/0216; A47G 23/03;  
B65D 83/38; B65D 25/24; B65D 81/3879;  
B65D 81/3876; B65D 81/3881; F25D 3/08;  
A47L 23/00  
See application file for complete search history.

- (56) **References Cited**  
U.S. PATENT DOCUMENTS
- 2,589,967 A \* 3/1952 Sawyer ..... A47G 19/2261  
215/372
- 2,727,645 A 5/1955 Dore
- 5,040,719 A \* 8/1991 Ballway ..... A47G 19/2205  
215/10
- 5,071,096 A \* 12/1991 Hartmann ..... A47G 23/0216  
248/154
- 5,123,558 A 6/1992 Moloney
- 5,285,996 A 2/1994 Waller
- 5,335,954 A \* 8/1994 Holub ..... A45F 5/10  
215/376
- 5,842,675 A 12/1998 Davitt
- 6,123,220 A 9/2000 Williams

- 6,571,976 B1 \* 6/2003 Sonnabend ..... B65D 25/24  
220/483
- 6,786,062 B1 \* 9/2004 Greenberg ..... F25D 3/08  
62/457.4
- 6,877,705 B2 4/2005 Dauer
- D523,293 S \* 6/2006 Disbrow ..... D7/619.1
- D557,567 S \* 12/2007 Gronikowski ..... D7/622
- 8,025,169 B2 \* 9/2011 Zimmerman ..... A47G 19/2261  
220/23.86
- 8,272,523 B1 \* 9/2012 DeMuisis, Sr. .... A47L 23/00  
215/393
- 2007/0012706 A1 \* 1/2007 Deadman ..... B65D 81/3879  
220/737
- 2011/0198473 A1 8/2011 McDonough et al.

**OTHER PUBLICATIONS**

Design U.S. Appl. No. 29/536,703, filed Aug. 19, 2015.  
Rust-O-Less product listed available for sale at least as early as Feb. 8, 2014, retrieved online from <http://web.archive.org/web/20140208111233/http://www.rustoles.com/>. (2 pages).

\* cited by examiner

*Primary Examiner* — Terry Wallace  
(74) *Attorney, Agent, or Firm* — K&L Gates LLP

(57) **CLAIM**  
The ornamental design for a base cover for a container, as shown and described herein.

**DESCRIPTION**

FIG. 1 illustrates a perspective view of the base cover for a container showing our new design;  
FIG. 2 illustrates a top perspective view thereof;  
FIG. 3 illustrates a bottom perspective view thereof;  
FIG. 4 illustrates a left side elevational view thereof, the right side elevational view being a mirror image;  
FIG. 5 illustrates a front elevational view thereof, the rear elevational view being a mirror image;  
FIG. 6 illustrates a top plan view thereof; and,  
FIG. 7 illustrates a bottom plan view thereof.  
The broken lines showing the can are for illustrative purposes only and form no part of the claimed design.

**1 Claim, 3 Drawing Sheets**

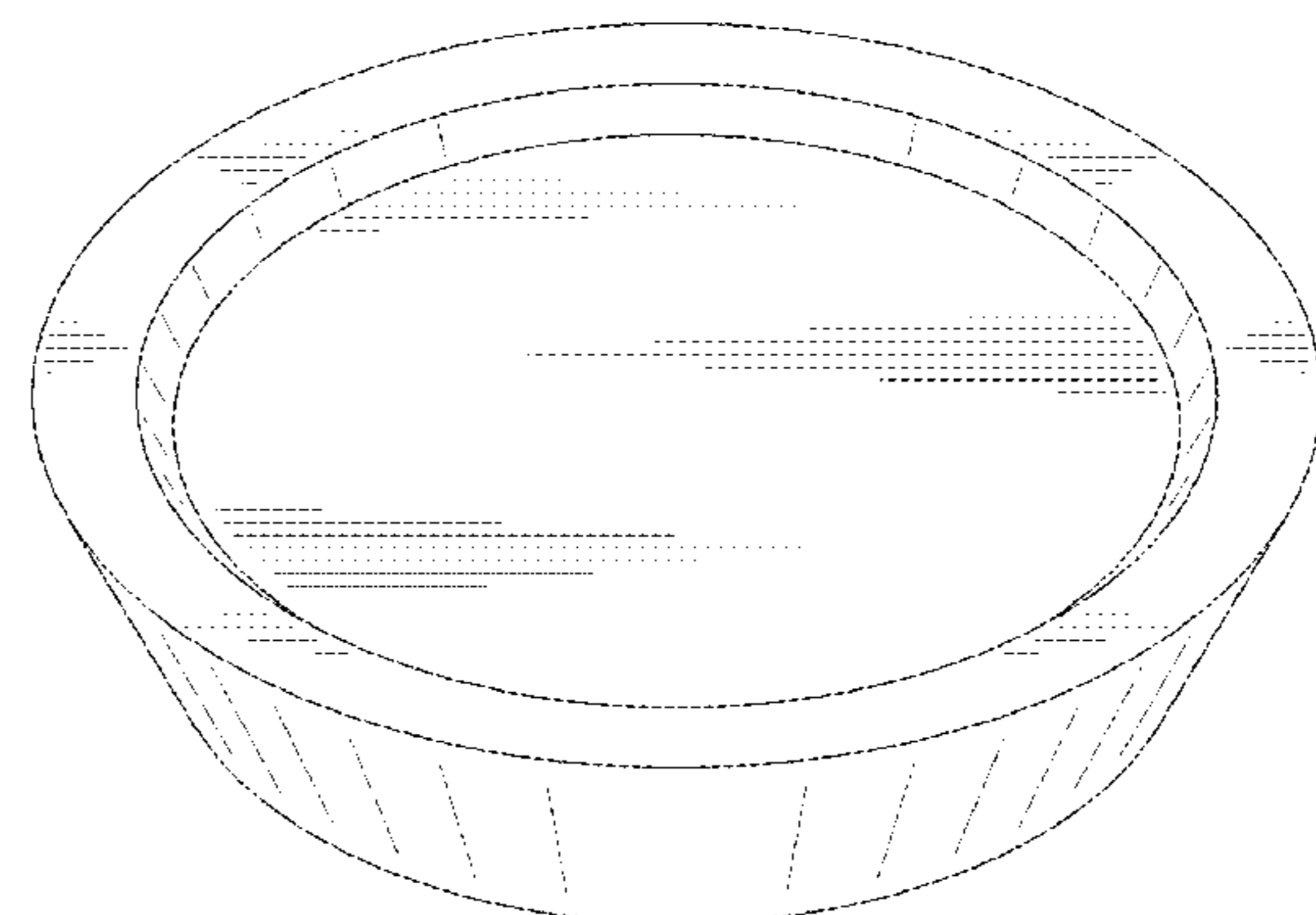
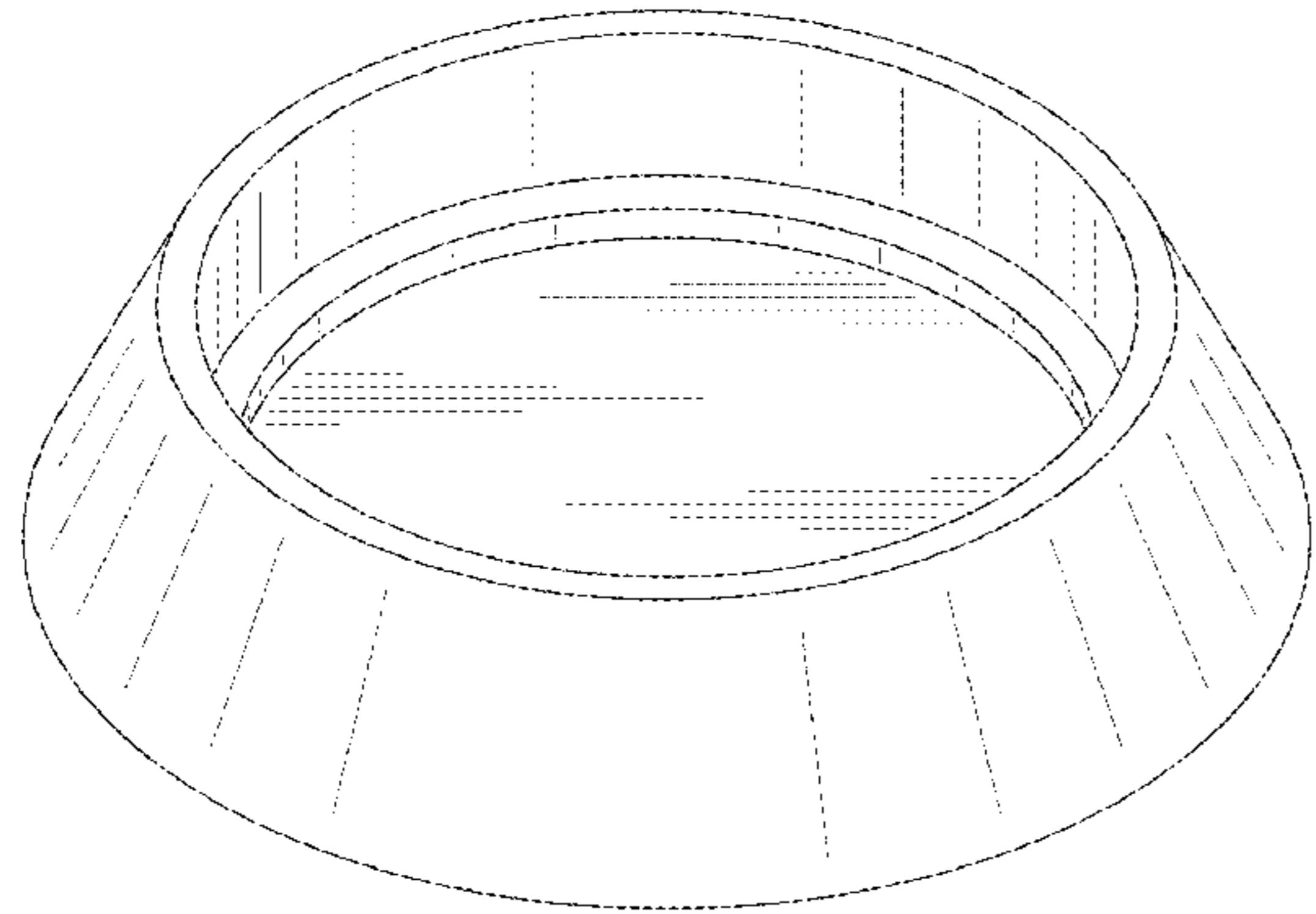


FIG. 1

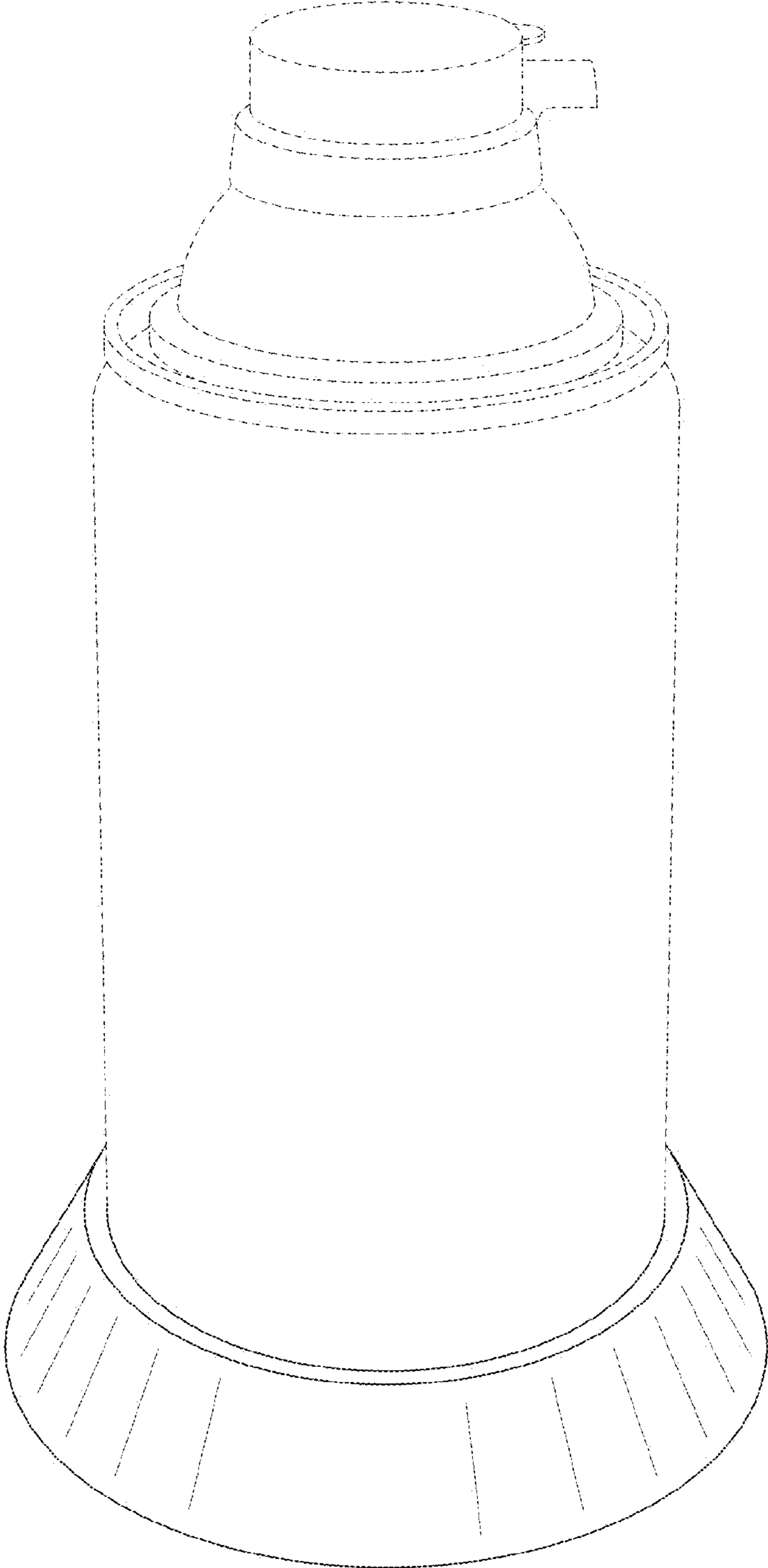


FIG. 2

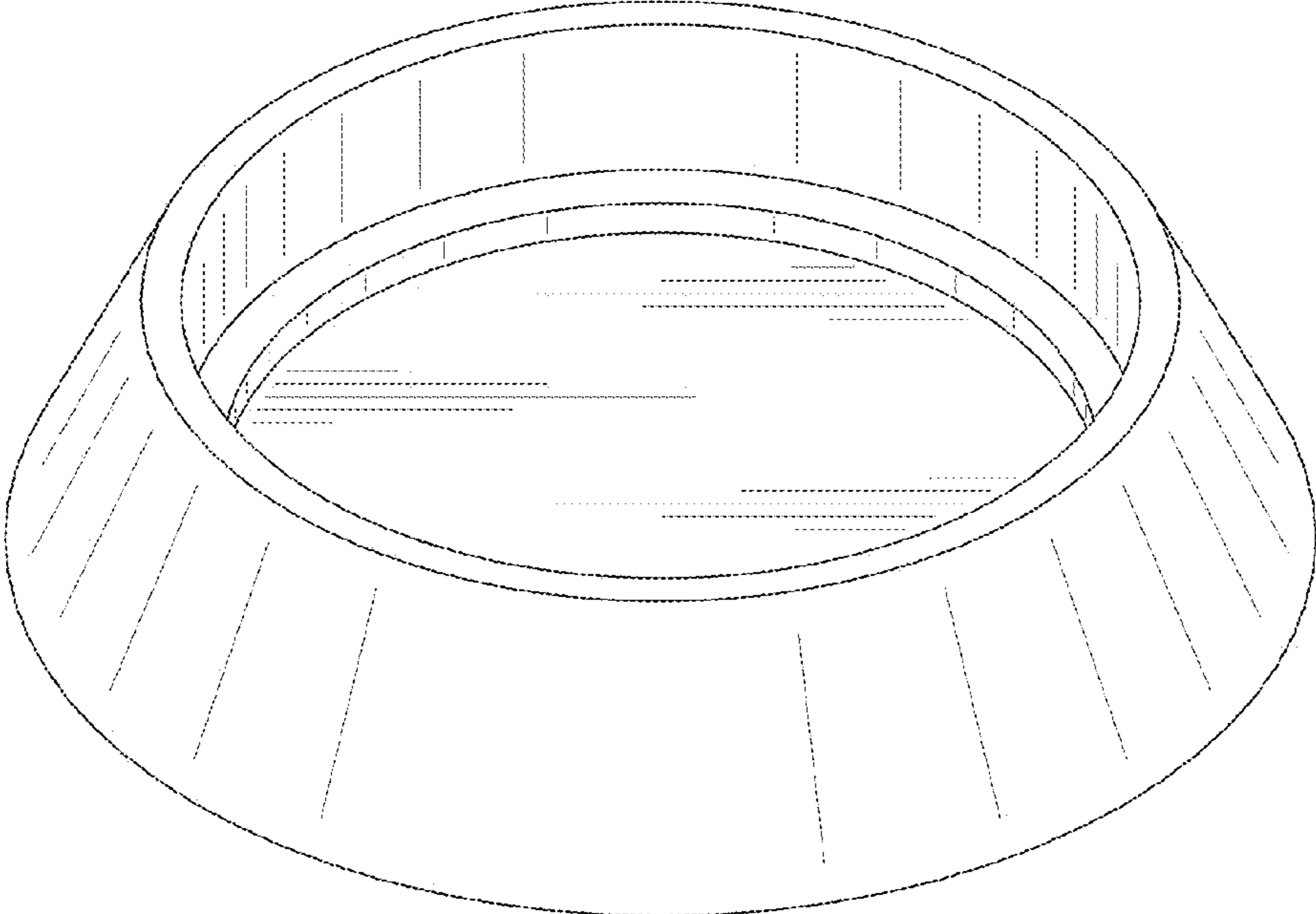


FIG. 3

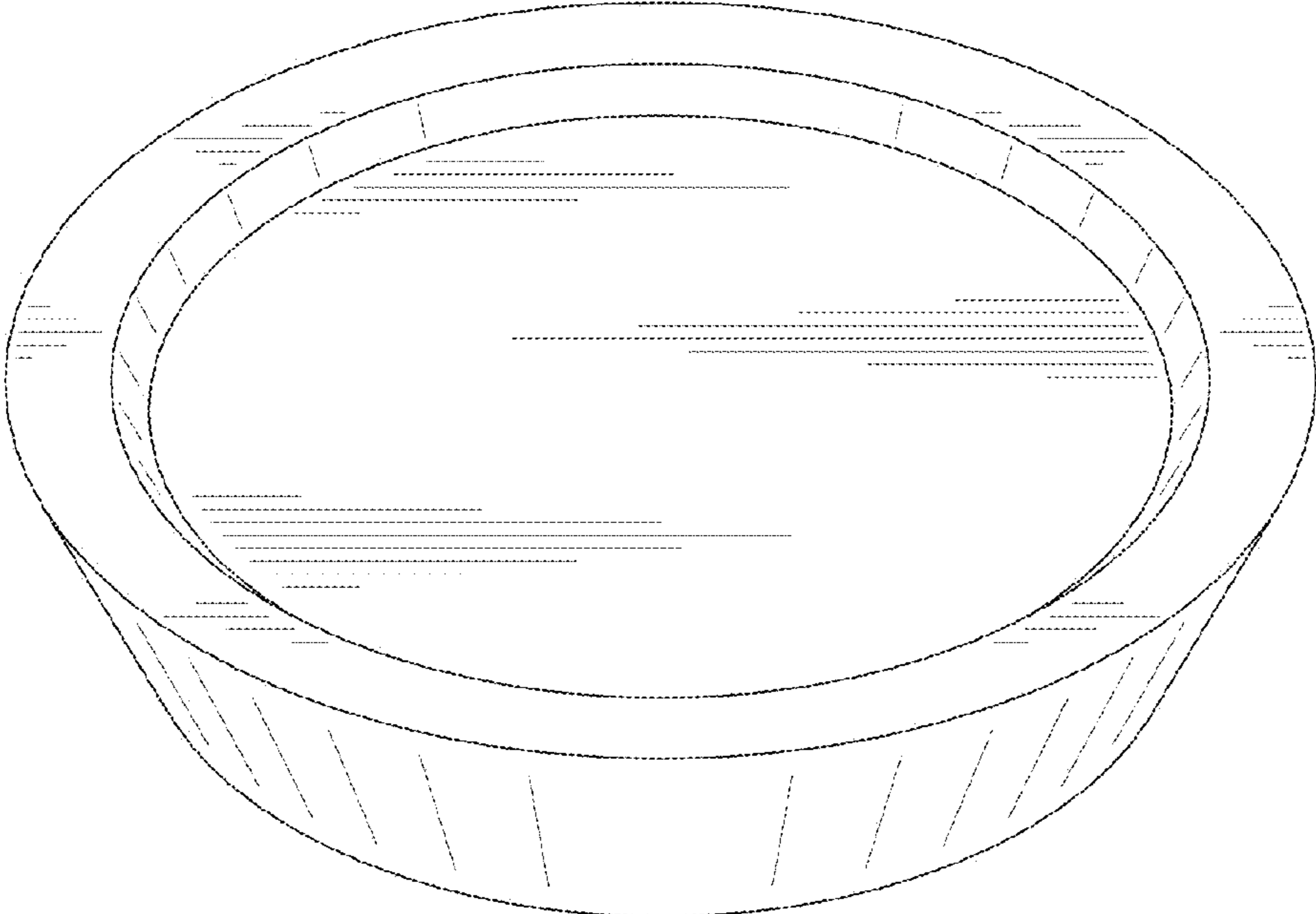


FIG. 4



FIG. 5



FIG. 6

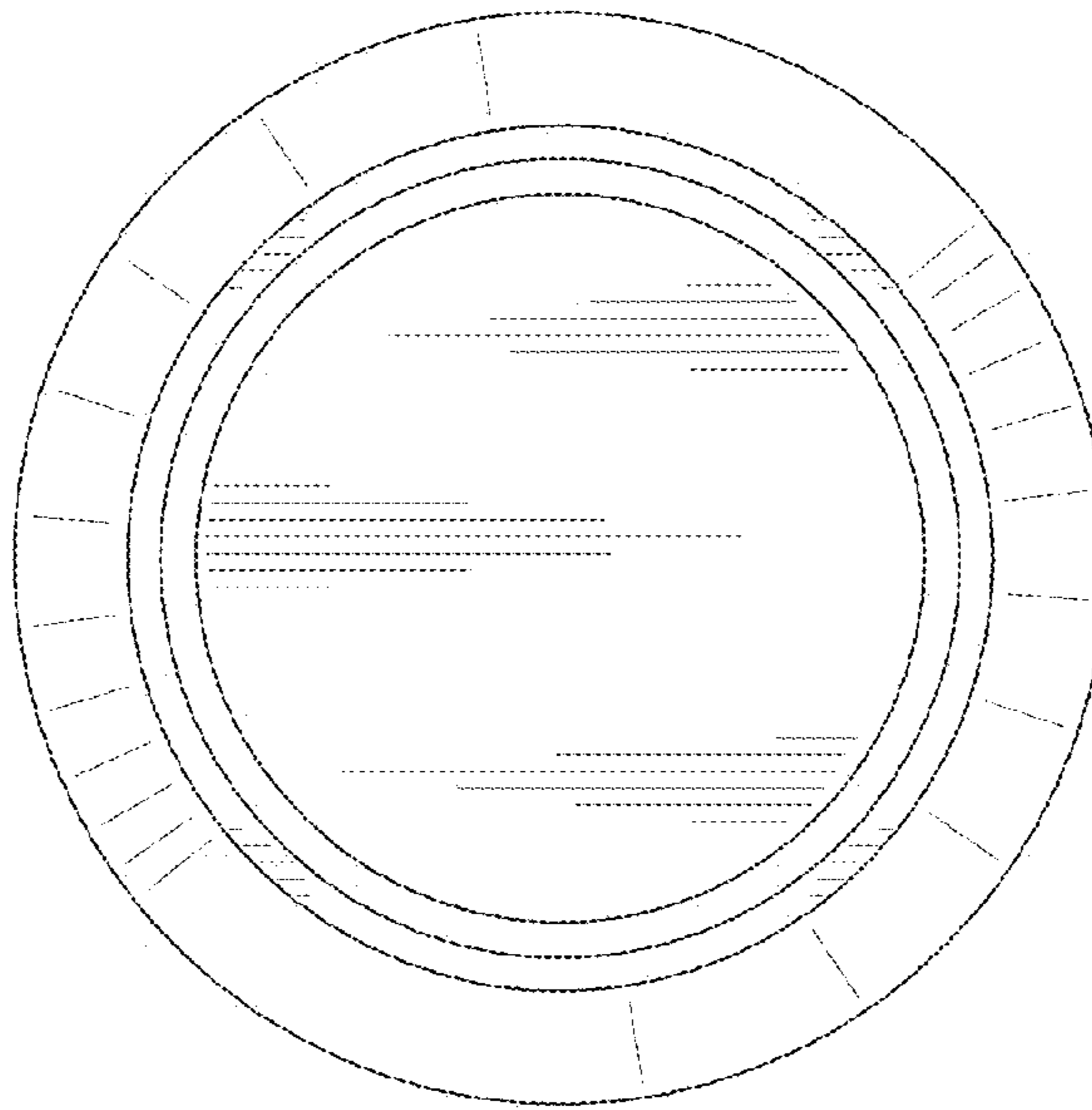


FIG. 7

