



US00D760548S

(12) **United States Design Patent**  
**Deszcz et al.**

(10) **Patent No.:** **US D760,548 S**  
(45) **Date of Patent:** **\*\* Jul. 5, 2016**

- (54) **CAKE STACKING SYSTEM**
- (71) Applicant: **WILTON INDUSTRIES, INC.**,  
Woodridge, IL (US)
- (72) Inventors: **Lisa Deszcz**, Woodridge, IL (US); **Erin Rohler**, Woodridge, IL (US); **Traci Chapple**, Woodridge, IL (US); **David Starr**, Woodridge, IL (US); **Beth Somers**, Woodridge, IL (US)
- (73) Assignee: **Wilton Industries, Inc.**, Woodridge, IL (US)
- (\*\*) Term: **14 Years**
- (21) Appl. No.: **29/506,545**
- (22) Filed: **Oct. 16, 2014**
- (51) **LOC (10) Cl.** ..... **07-06**
- (52) **U.S. Cl.**  
USPC ..... **D7/610**
- (58) **Field of Classification Search**  
USPC ..... D7/368, 610, 501, 558, 559; D6/677.3,  
D6/678.2, 676.3  
CPC ..... A21B 3/00; A47B 3/12; A47G 19/00;  
A47G 23/08; A21C 15/002; A21C 15/00;  
A21C 15/005  
See application file for complete search history.

(56) **References Cited**

**U.S. PATENT DOCUMENTS**

1,570,651	A	1/1926	Topping	
2,178,166	A *	10/1939	Enstrom	A47G 19/00 108/101
2,902,174	A	9/1959	Audsley	
2,921,691	A *	1/1960	Dembinski	A47B 3/12 108/101
3,070,236	A *	12/1962	MacPherson, Sr.	A21B 3/00 108/101
3,169,496	A	2/1965	Muggli	
3,690,610	A	9/1972	Peirce et al.	
3,814,032	A *	6/1974	McMains	A47G 19/00 108/101

4,069,772	A *	1/1978	Haapala	A21C 15/002 108/101
D278,676	S *	5/1985	DeAre	D7/610
D357,160	S *	4/1995	Fritze	D7/610
D362,787	S *	10/1995	Burke	D7/501
5,617,798	A *	4/1997	Lytell	A21C 15/00 108/147.19
5,715,954	A	2/1998	Zaremba	
6,123,206	A	9/2000	Zaremba	
6,367,759	B1 *	4/2002	Simon	A47G 23/08 108/139
8,196,879	B2	6/2012	Vežina et al.	
8,276,524	B2	10/2012	Goode et al.	

(Continued)

*Primary Examiner* — Terry Wallace

(74) *Attorney, Agent, or Firm* — Foley & Lardner LLP

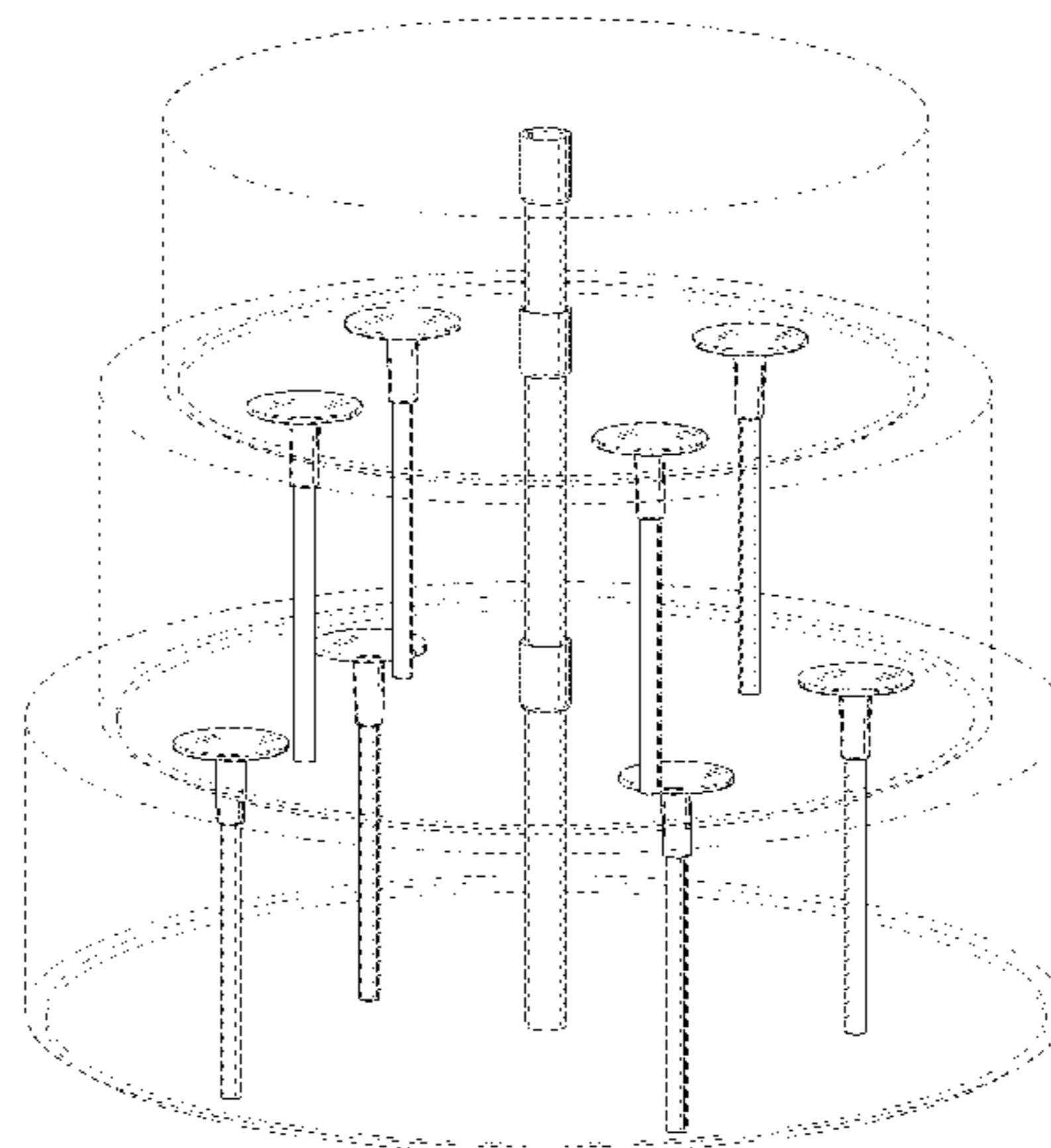
(57) **CLAIM**

The ornamental design for a cake stacking system, as shown and described.

**DESCRIPTION**

FIG. 1 is a perspective view of a cake stacking system showing our new design.  
 FIG. 2 is a side view thereof, the other side being identical.  
 FIG. 3 is a top plan view thereof.  
 FIG. 4 is a bottom plan view thereof.  
 FIG. 5 is a perspective view of one column, shown separately for clarity of illustration.  
 FIG. 6 is a side view of FIG. 5, the other side being identical.  
 FIG. 7 is a top plan view of FIG. 5.  
 FIG. 8 is a bottom plan view of FIG. 5.  
 FIG. 9 is a perspective view of another column, shown separately for clarity of illustration.  
 FIG. 10 is a side view of FIG. 9, the other side view being identical.  
 FIG. 11 is a top plan view of FIG. 9; and,  
 FIG. 12 is a bottom plan view of FIG. 9.  
 The broken lines are for illustrative purposes only and form no part of the claimed design. The break lines illustrated in FIGS. 5, 6, 9 and 10 are not part of the claimed design and represent that no particular length is claimed.

**1 Claim, 6 Drawing Sheets**



(56)

**References Cited**

U.S. PATENT DOCUMENTS

			2010/0330240	A1*	12/2010	Jeffery .....	A21C 15/00
							426/383
			2013/0136829	A1	5/2013	Kandel	
	8,490,553	B1	7/2013			English et al.	
	2008/0087617	A1*	4/2008			Harris .....	A47G 19/00
							211/85.4

\* cited by examiner

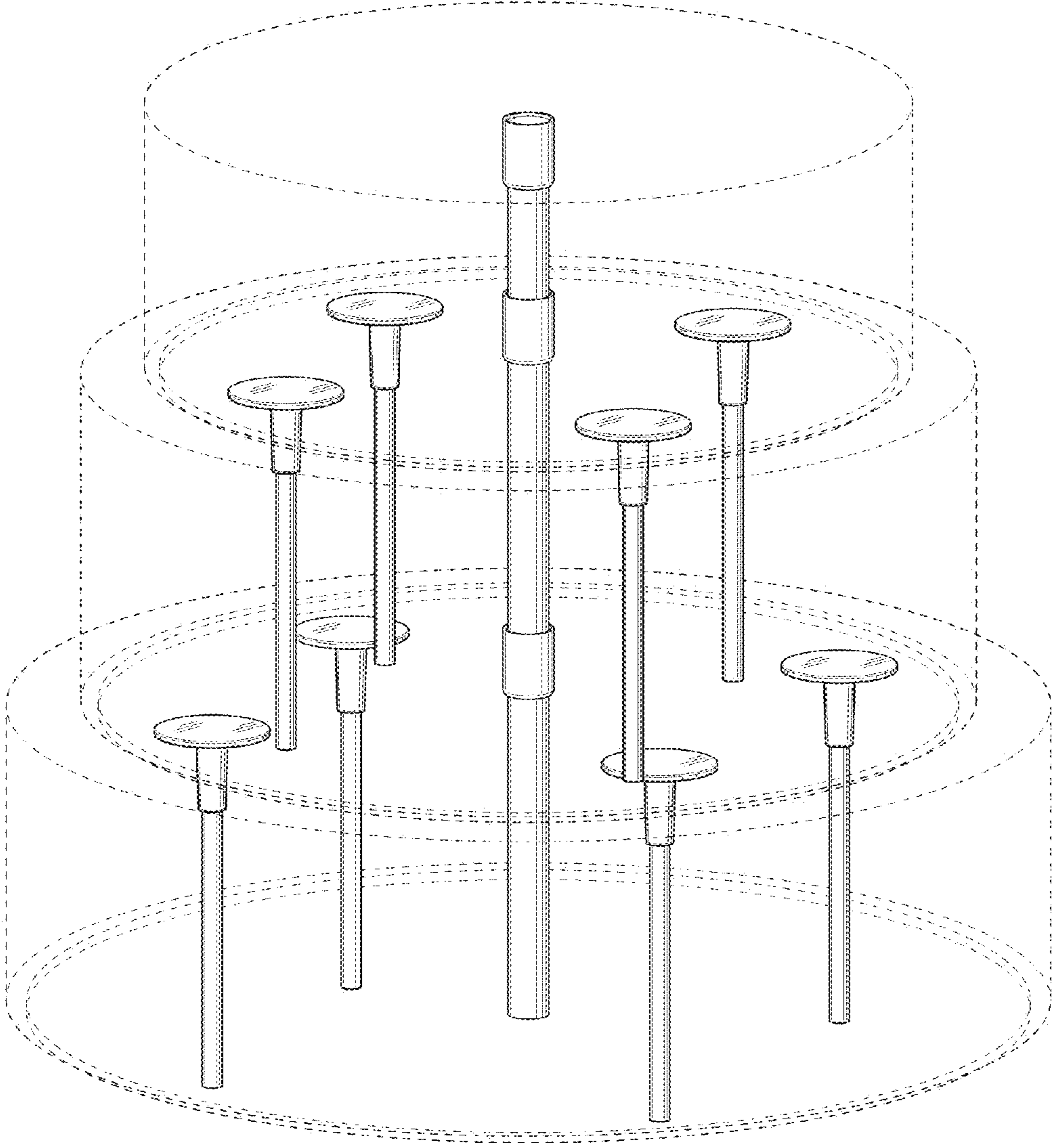


FIG. 1

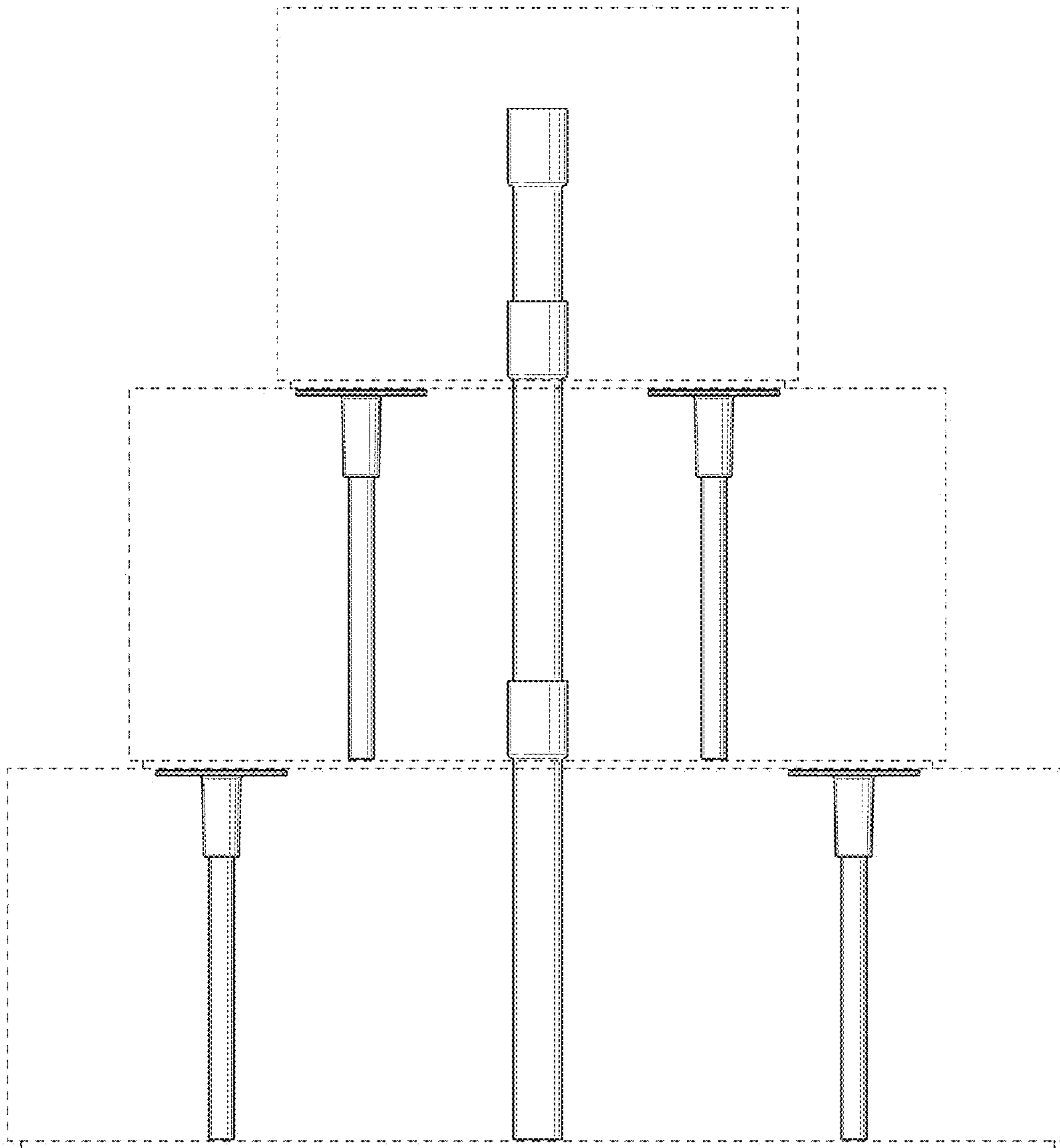


FIG. 2

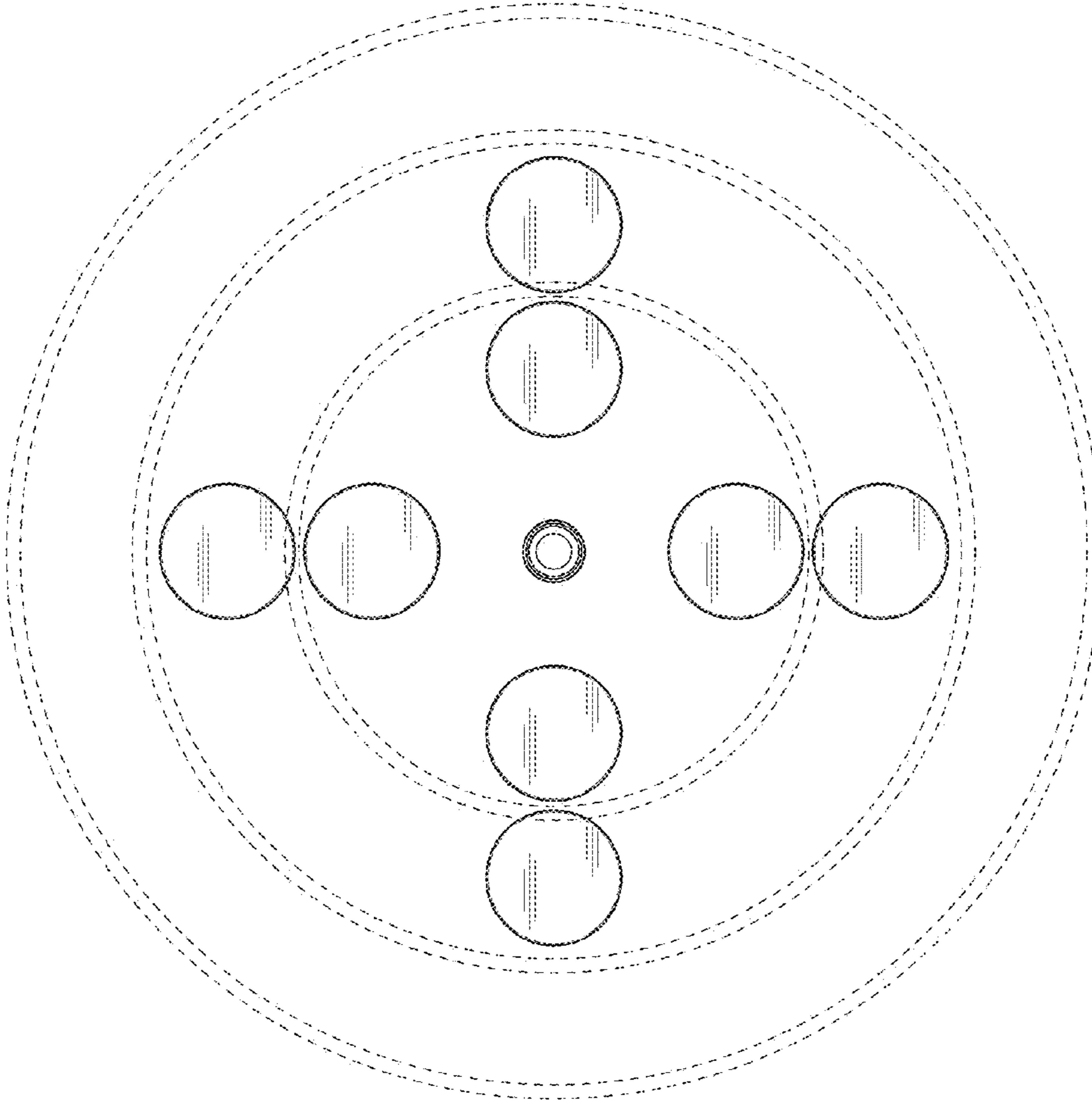


FIG. 3

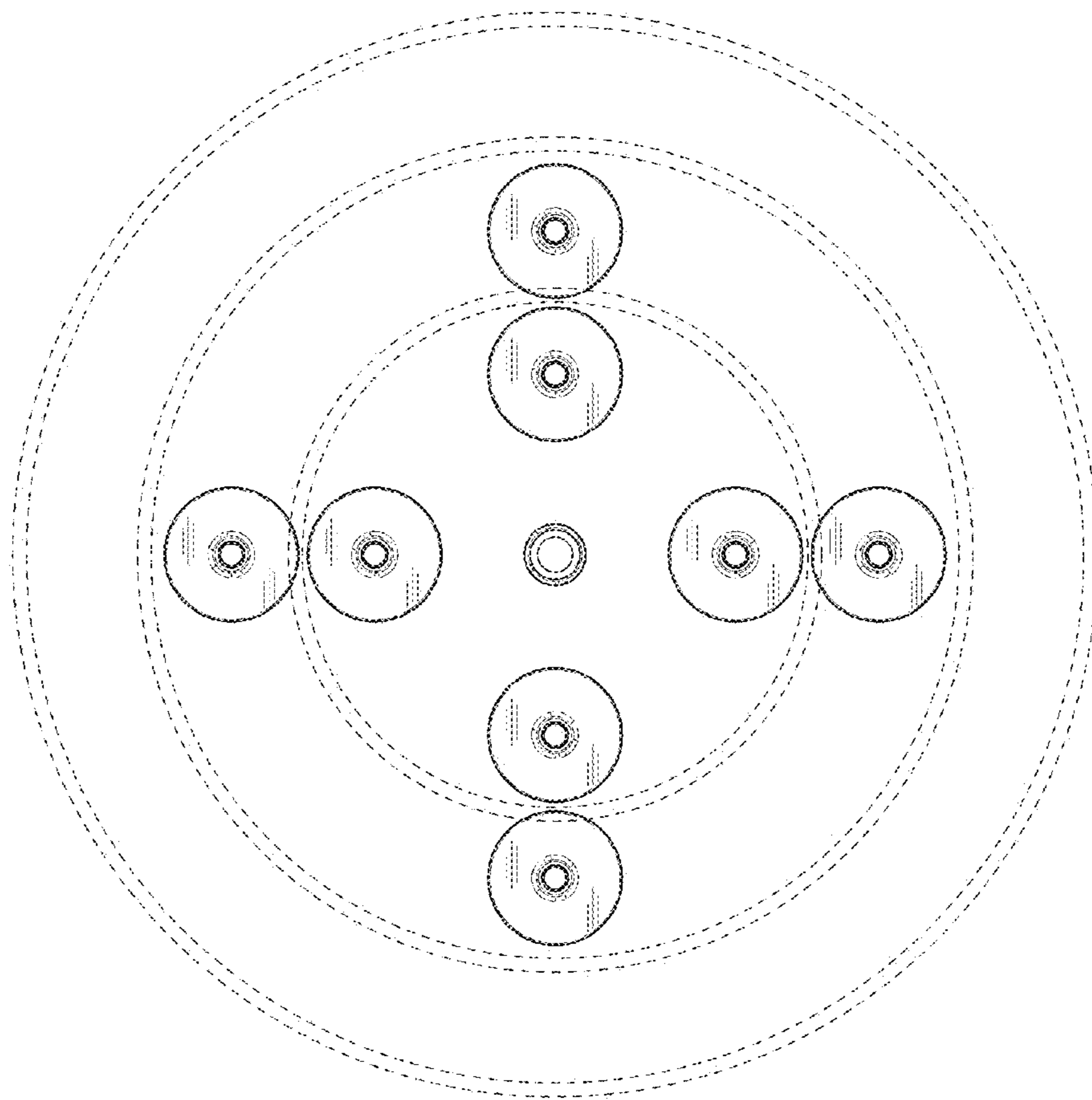


FIG. 4

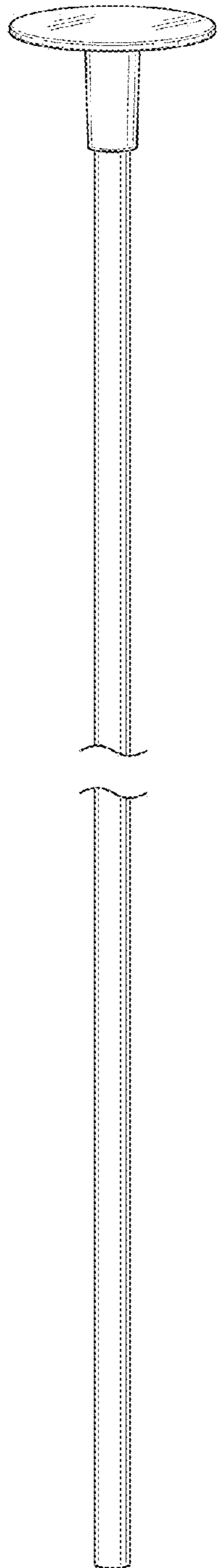


FIG. 5

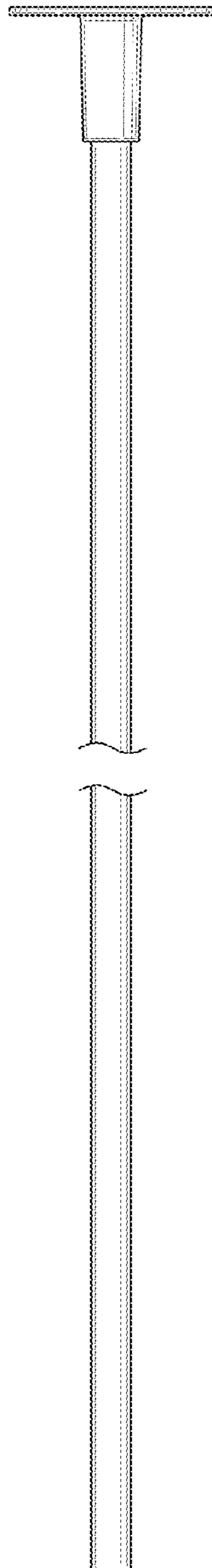


FIG. 6

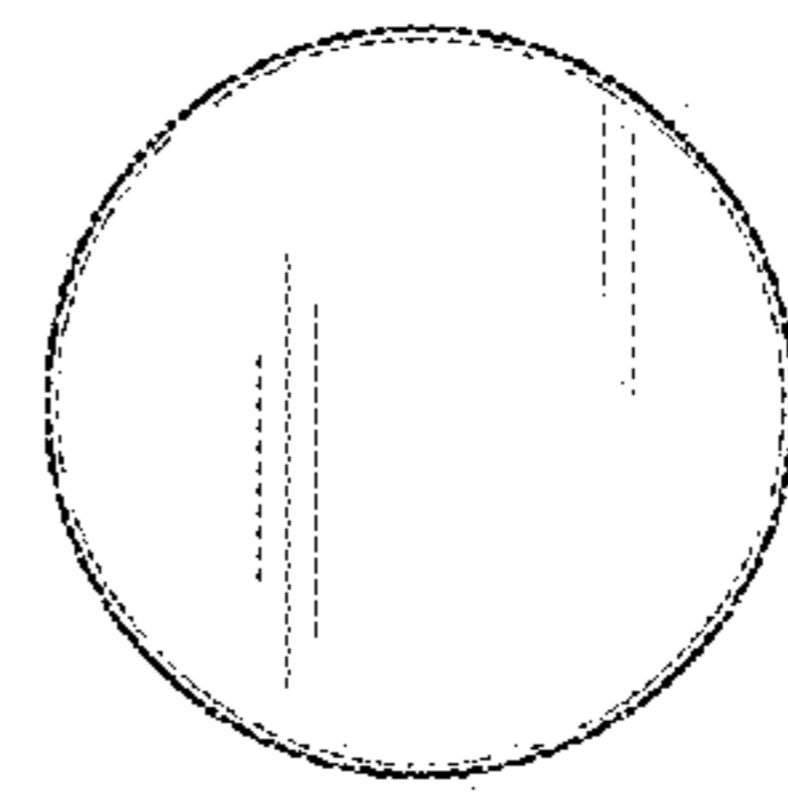


FIG. 7

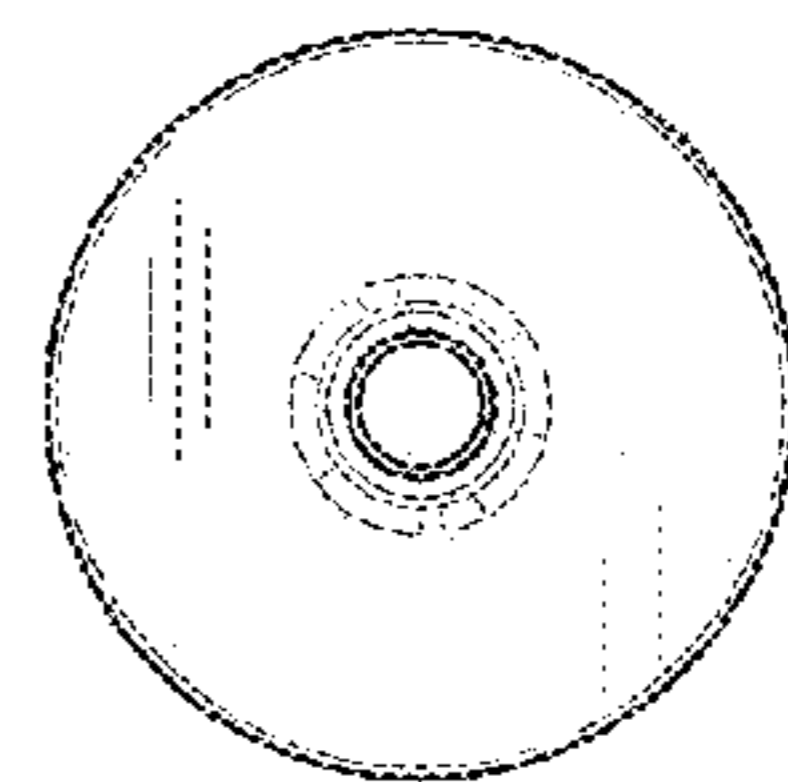


FIG. 8

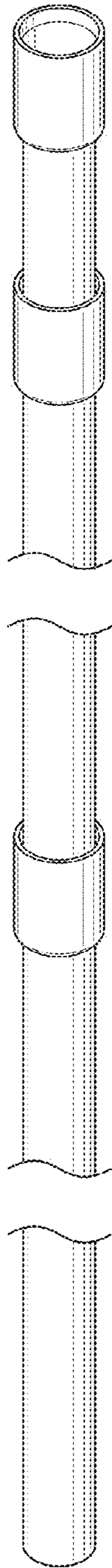


FIG. 9

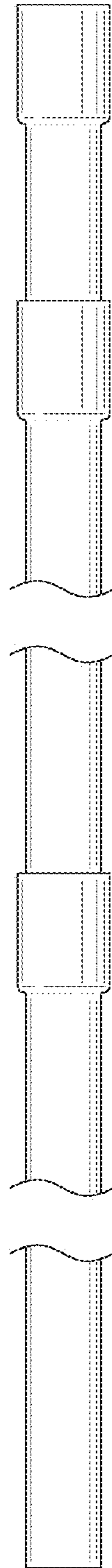


FIG. 10

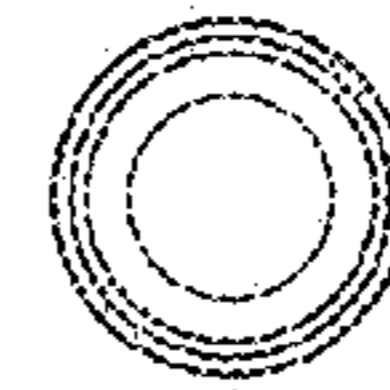


FIG. 11

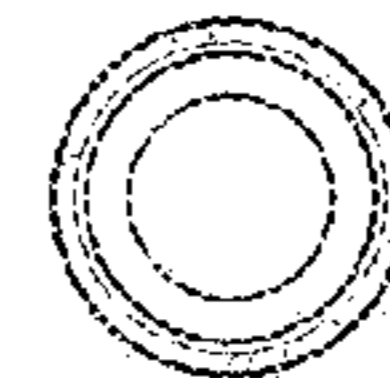


FIG. 12