



US00D760547S

(12) **United States Design Patent**
Ash et al.

(10) **Patent No.:** **US D760,547 S**
(45) **Date of Patent:** **** Jul. 5, 2016**

(54) **FOOTBALL MUG WITH A GOAL POST**

(71) Applicant: **HMDYH Holding Company, LLC,**
Boston, MA (US)

(72) Inventors: **Max J Ash,** Weston, MA (US); **Jordan Nollman,** Boston, MA (US)

(73) Assignee: **HMDYH Holding Company, LLC,**
Norwood, MA (US)

(**) Term: **15 Years**

(21) Appl. No.: **29/534,067**

(22) Filed: **Jul. 24, 2015**

2,600,479	A *	6/1952	Campomar	A47G 19/2211
				119/900
2,770,956	A *	11/1956	Achtziger	A47G 19/23
				215/10
3,150,084	A *	9/1964	Rodges	A47G 19/2211
				210/463
D308,431	S *	6/1990	Phelps	D21/703
D330,826	S *	11/1992	English	D7/515
D333,373	S *	2/1993	Pacelli	D99/37
5,379,914	A *	1/1995	Martins	A47G 19/2211
				220/269
D360,667	S *	7/1995	Liu	D21/703
6,102,203	A *	8/2000	Marro	A47K 1/09
				206/362.1
D529,250	S *	9/2006	Sofy	D34/4
D529,968	S *	10/2006	Frankel	D21/699
D562,636	S *	2/2008	Weber	D7/509
7,472,801	B1 *	1/2009	Moynihan	B65F 1/14
				220/694

(Continued)

Related U.S. Application Data

(63) Continuation-in-part of application No. 14/624,892, filed on Feb. 18, 2015, and a continuation-in-part of application No. 14/624,963, filed on Feb. 18, 2015.

(51) **LOC (10) Cl.** **07-01**

(52) **U.S. Cl.**
USPC **D7/515; D7/396.2; D7/396.3**

(58) **Field of Classification Search**
USPC D7/396.2, 510, 511, 300.2, 398, 397, D7/392, 300, 514, 515, 396.3; D9/435, D9/447; 220/713, 731, 287; 215/387, 389; 206/457; D21/699

CPC A47G 19/2211; A47G 19/22; A45D 33/02
See application file for complete search history.

(56) **References Cited**

U.S. PATENT DOCUMENTS

D69,899	S *	4/1926	Mahoney	D11/99
1,739,627	A *	12/1929	Austin	A47G 19/2211
				220/719
D143,321	S *	12/1945	Hubbard	D7/520
2,591,606	A *	4/1952	Reed	A47G 19/22
				210/469

Primary Examiner — Marianne Pandozzi

(74) *Attorney, Agent, or Firm* — Ascentage Patent Law, LLC; Travis Lee Johnson; Davis S. Einfeldt

(57) **CLAIM**

The ornamental design for a football mug with a goal post, as shown and described.

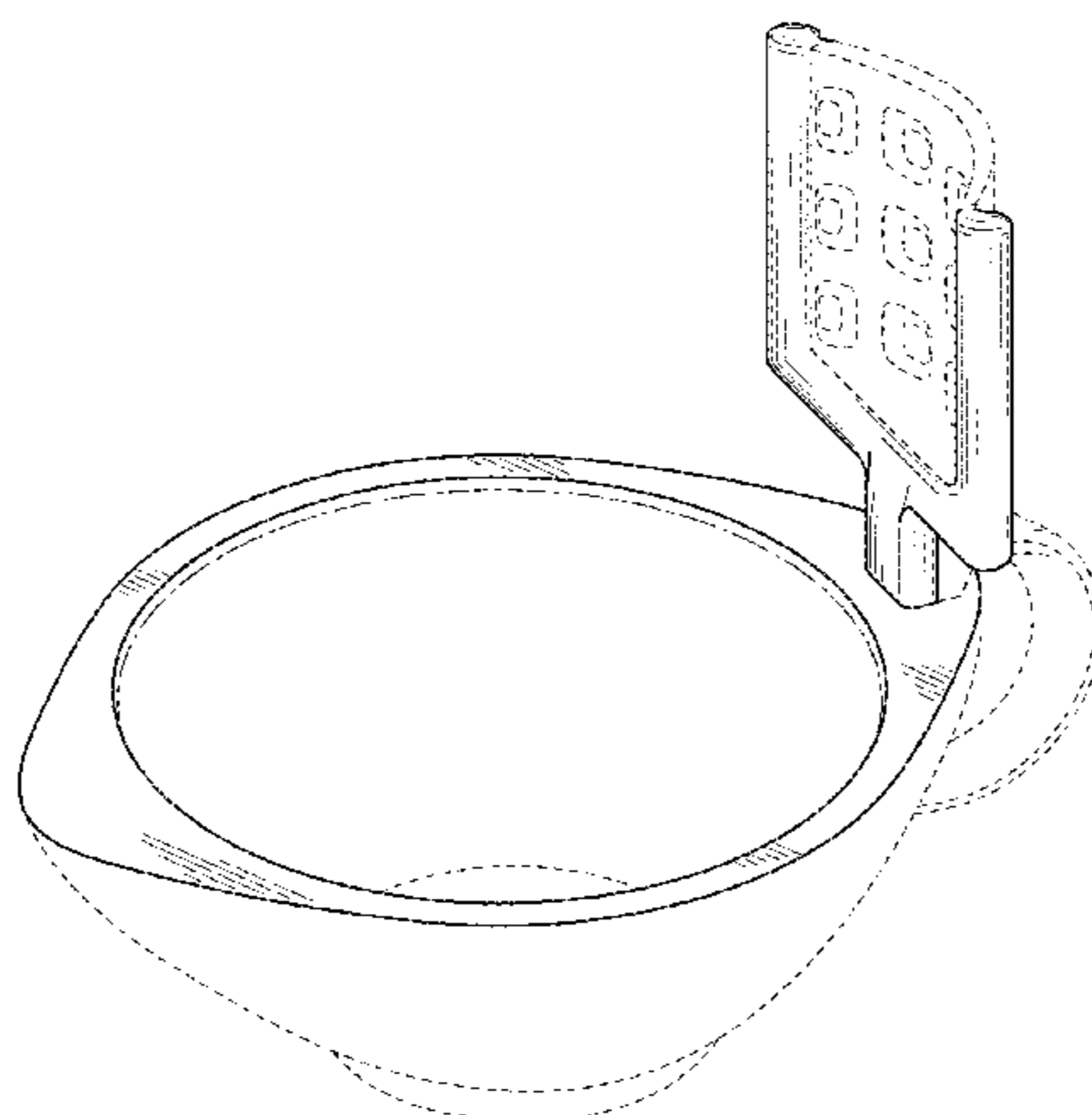
DESCRIPTION

FIG. 1 is a top perspective view of a football mug with a goal post illustrating the Applicant's new design; FIG. 2 is a top view of the football mug with a goal post; FIG. 3 is a bottom view of the football mug with a goal post; FIG. 4 is a front view of the football mug with a goal post; FIG. 5 is a side view of the football mug with a goal post; and, FIG. 6 is an enlarged rear view thereof, the rest of the football mug with a goal post removed for ease of illustration.

Where included, the use of stippling is intended to denote a difference in materials.

The broken lines shown in the figures represent portions of a football mug with a goal post that form no part of the claimed design.

1 Claim, 3 Drawing Sheets



US D760,547 S

Page 2

(56)

References Cited

U.S. PATENT DOCUMENTS

7,611,146 B2 * 11/2009 Arden A63B 67/083
273/317

7,722,049 B2 * 5/2010 Williams A47G 19/025
273/317

D723,336 S * 3/2015 Ash D7/515

* cited by examiner

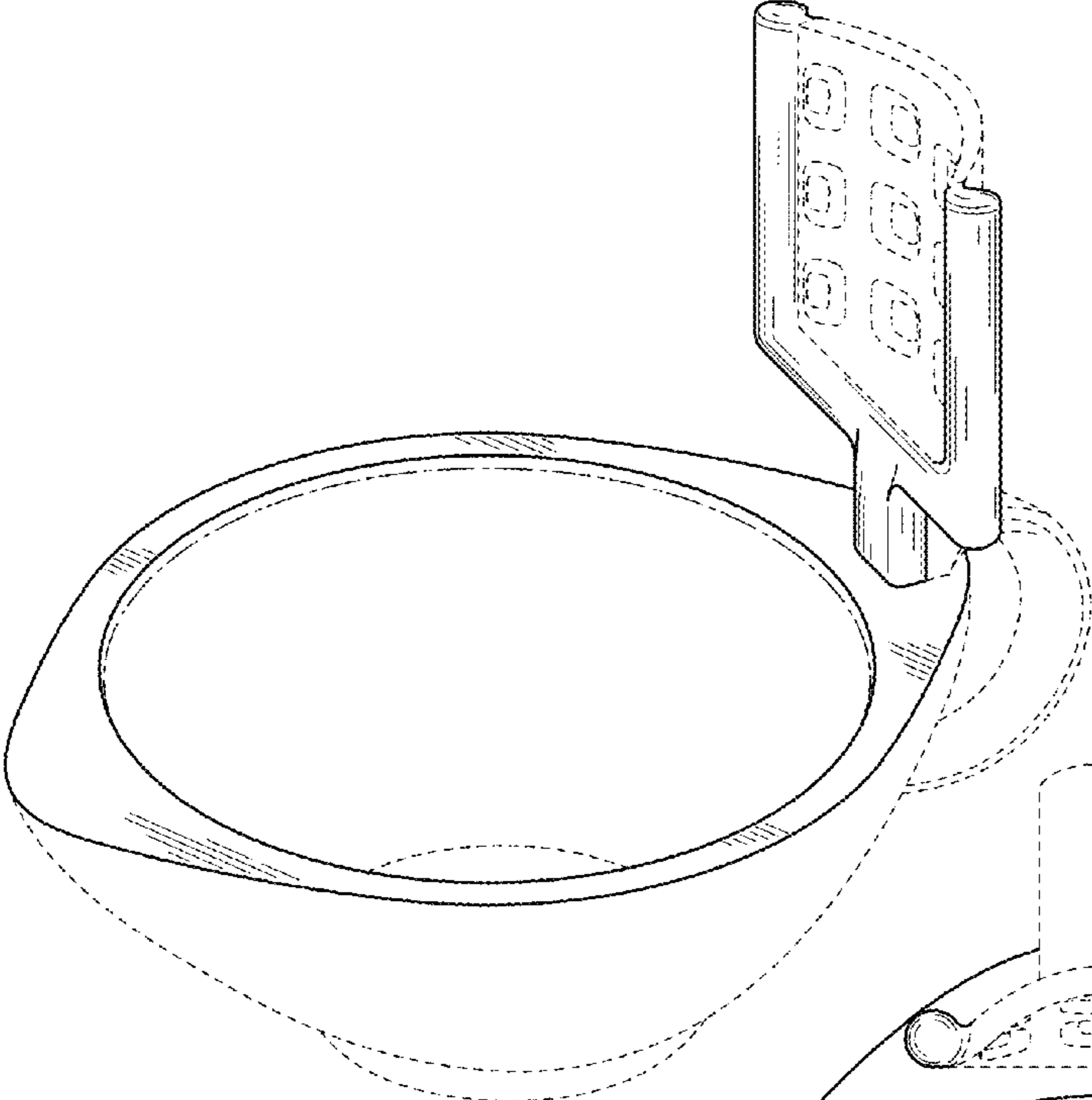


FIG. 1

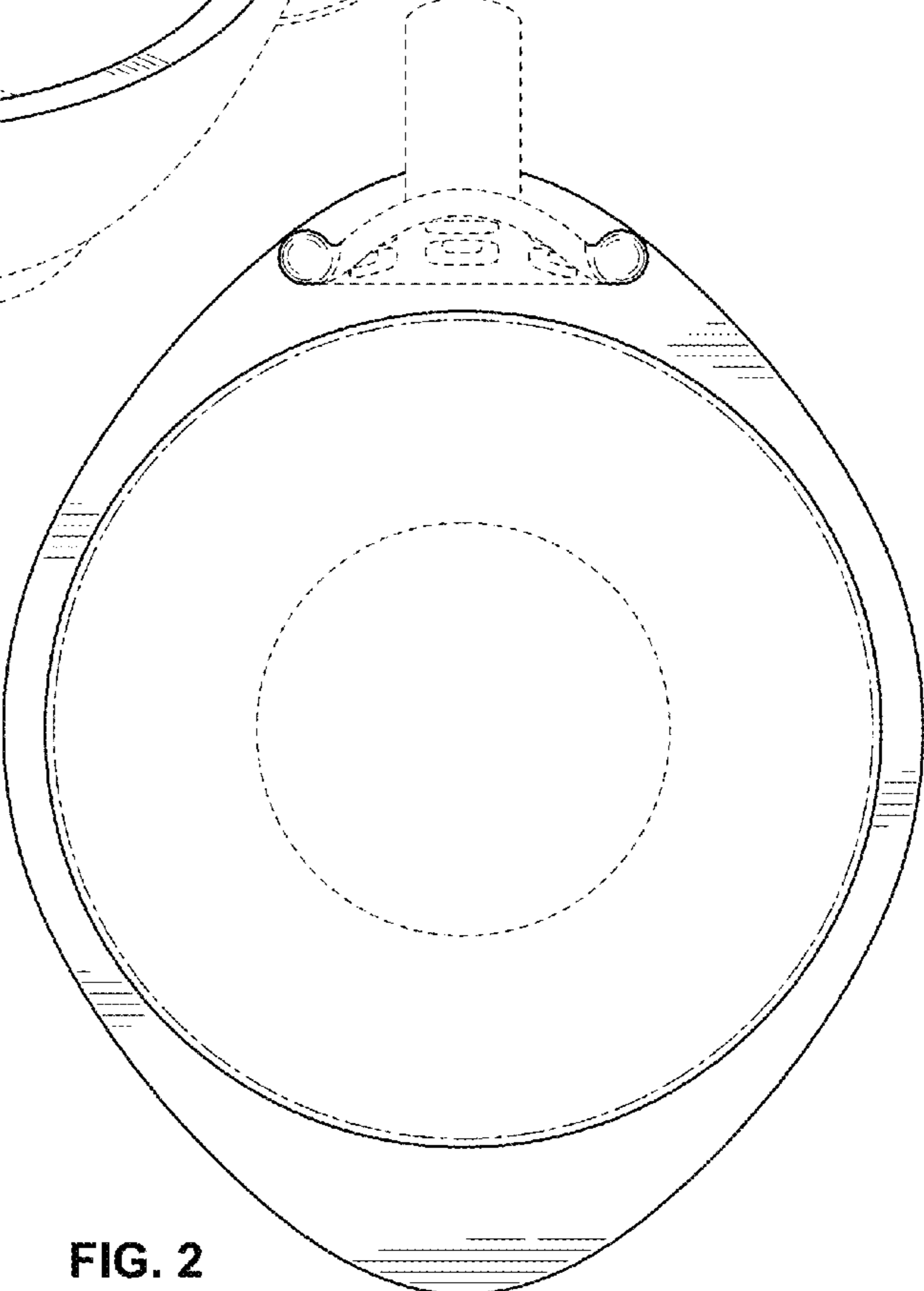


FIG. 2

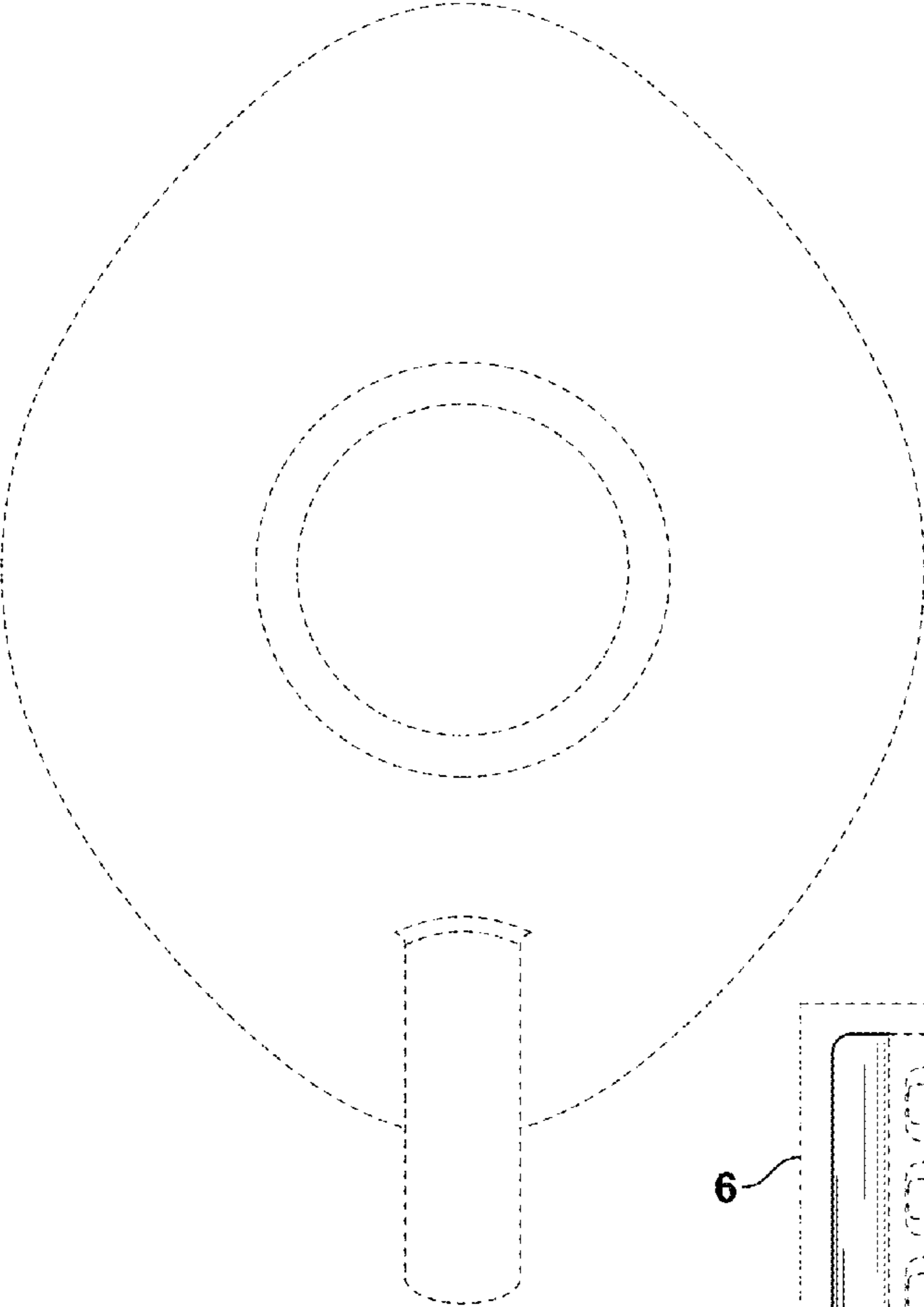


FIG. 3

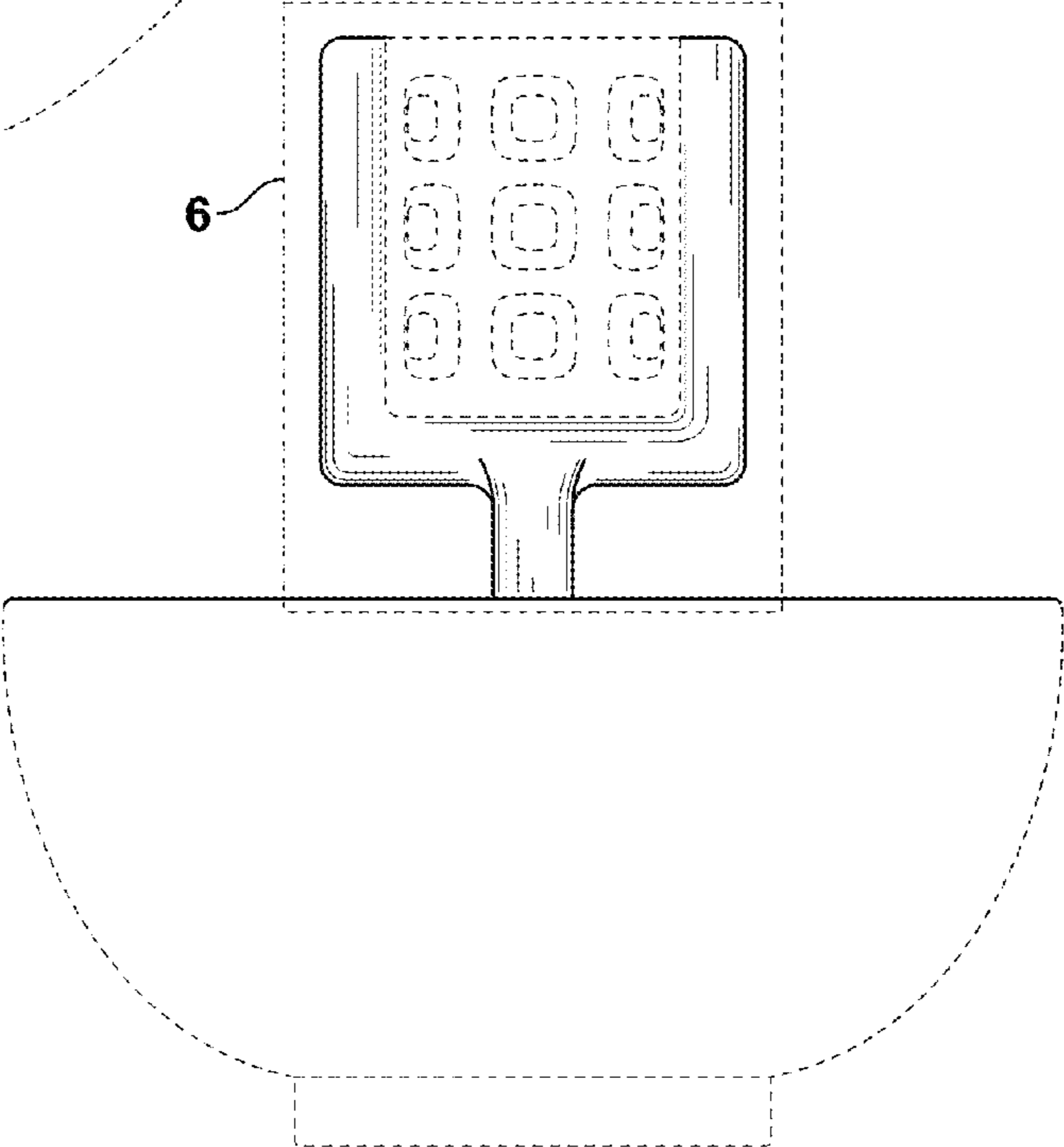


FIG. 4

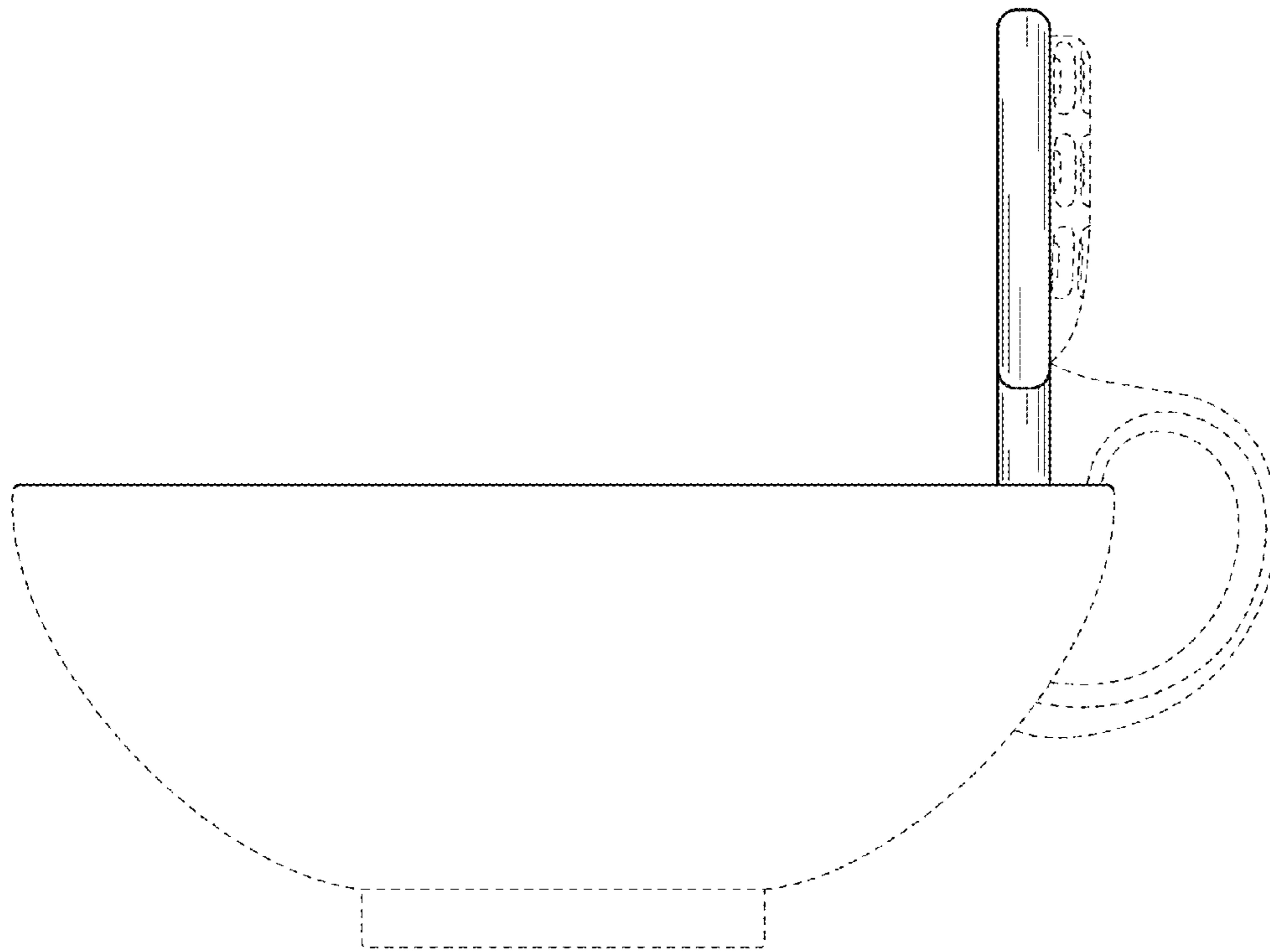


FIG. 5

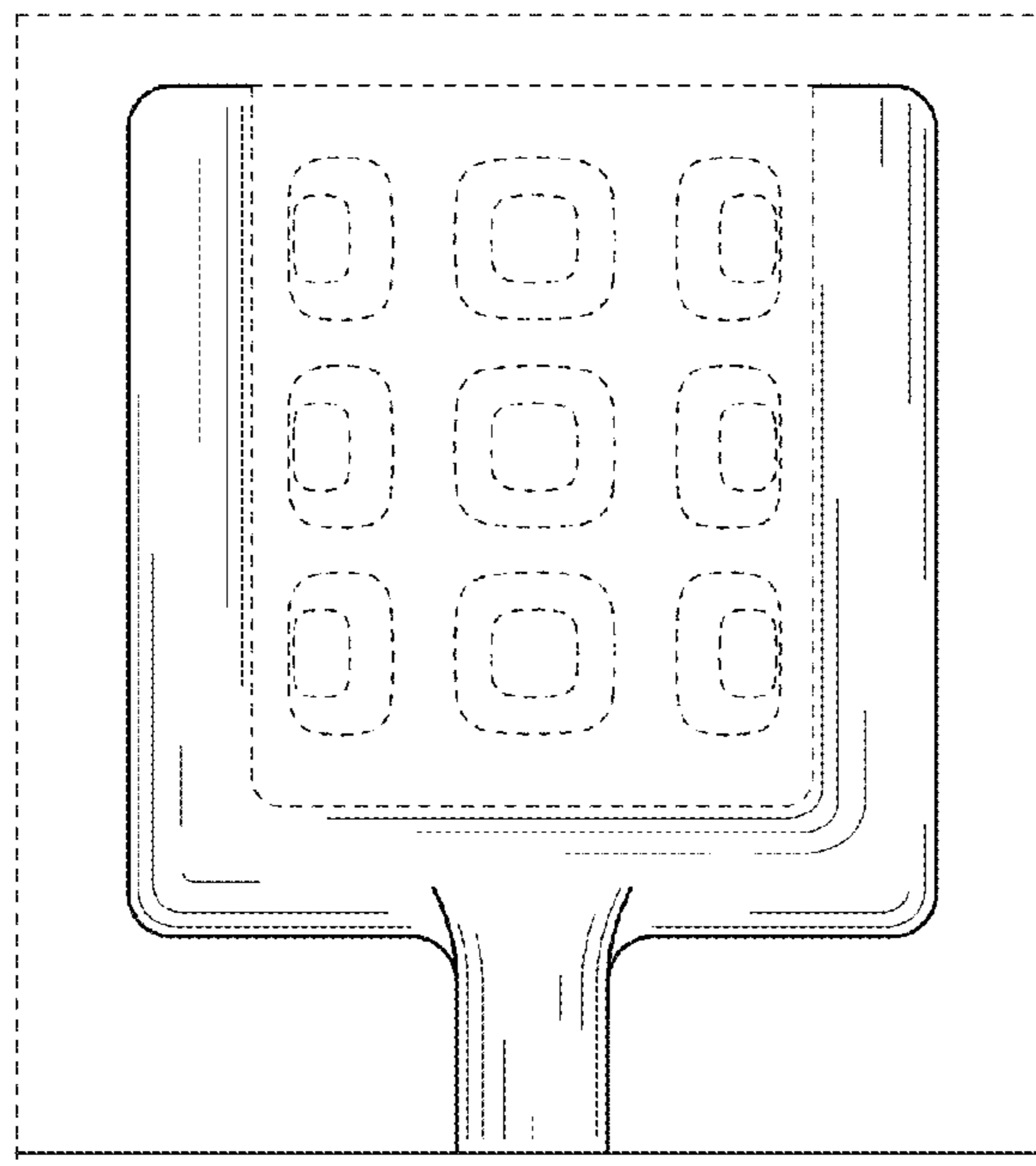


FIG. 6