

US00D760546S

(12) **United States Design Patent**
Ash et al.

(10) **Patent No.:** **US D760,546 S**
(45) **Date of Patent:** **** Jul. 5, 2016**

- (54) **HOCKEY MUG WITH A NET**
- (71) Applicant: **Max's Creations, Inc.**, Boston, MA (US)
- (72) Inventors: **Max J Ash**, Weston, MA (US); **Jordan Nollman**, Boston, MA (US)
- (73) Assignee: **HMDYH Holding Company, LLC**, Norwood, MA (US)
- (**) Term: **15 Years**
- (21) Appl. No.: **29/527,259**
- (22) Filed: **May 18, 2015**

- 2,591,606 A * 4/1952 Reed A47G 19/22 210/469
- 2,600,479 A * 6/1952 Campomar A47G 19/2211 119/900
- 2,753,049 A * 7/1956 Gaines A47G 19/2211 210/469
- 2,770,956 A * 11/1956 Achtziger A47G 19/23 215/10
- 3,150,084 A * 9/1964 Rodges A47G 19/2211 210/463
- 3,752,320 A * 8/1973 Biro A47G 19/2211 210/469
- D230,457 S * 2/1974 Bateman D7/536
- 4,366,914 A * 1/1983 Ingram A47G 19/2211 210/469
- D308,431 S * 6/1990 Phelps D21/703
- 4,938,375 A * 7/1990 Fantacone A47G 19/2211 210/464
- D320,907 S * 10/1991 Unger D7/396.4
- D330,826 S * 11/1992 English D7/515

Related U.S. Application Data

- (63) Continuation-in-part of application No. 14/624,892, filed on Feb. 18, 2015, and a continuation-in-part of application No. 14/624,963, filed on Feb. 18, 2015.
- (51) **LOC (10) Cl.** **07-01**
- (52) **U.S. Cl.**
USPC **D7/515**; D7/396.2; D7/396.3
- (58) **Field of Classification Search**
USPC D7/396.2, 510, 511, 300.2, 398, 397, D7/392, 300, 514, 515, 396.3; D9/435, D9/447; 220/713, 731, 287; 215/387, 389; 206/457; D21/699
CPC A47G 19/2211; A47G 19/22; A45D 33/02
See application file for complete search history.

References Cited

U.S. PATENT DOCUMENTS

- D59,219 S * 10/1921 Havilland D7/536
- D69,899 S * 4/1926 Mahoney D11/99
- 1,739,627 A * 12/1929 Austin A47G 19/2211 220/719
- 2,198,059 A * 4/1940 Pistorius A47G 19/2211 210/469
- D143,321 S * 12/1945 Hubbard D7/520

(Continued)

Primary Examiner — Marianne Pandozzi

(74) *Attorney, Agent, or Firm* — Ascentage Patent Law, LLC; Travis Lee Johnson; Davis S. Einfeldt

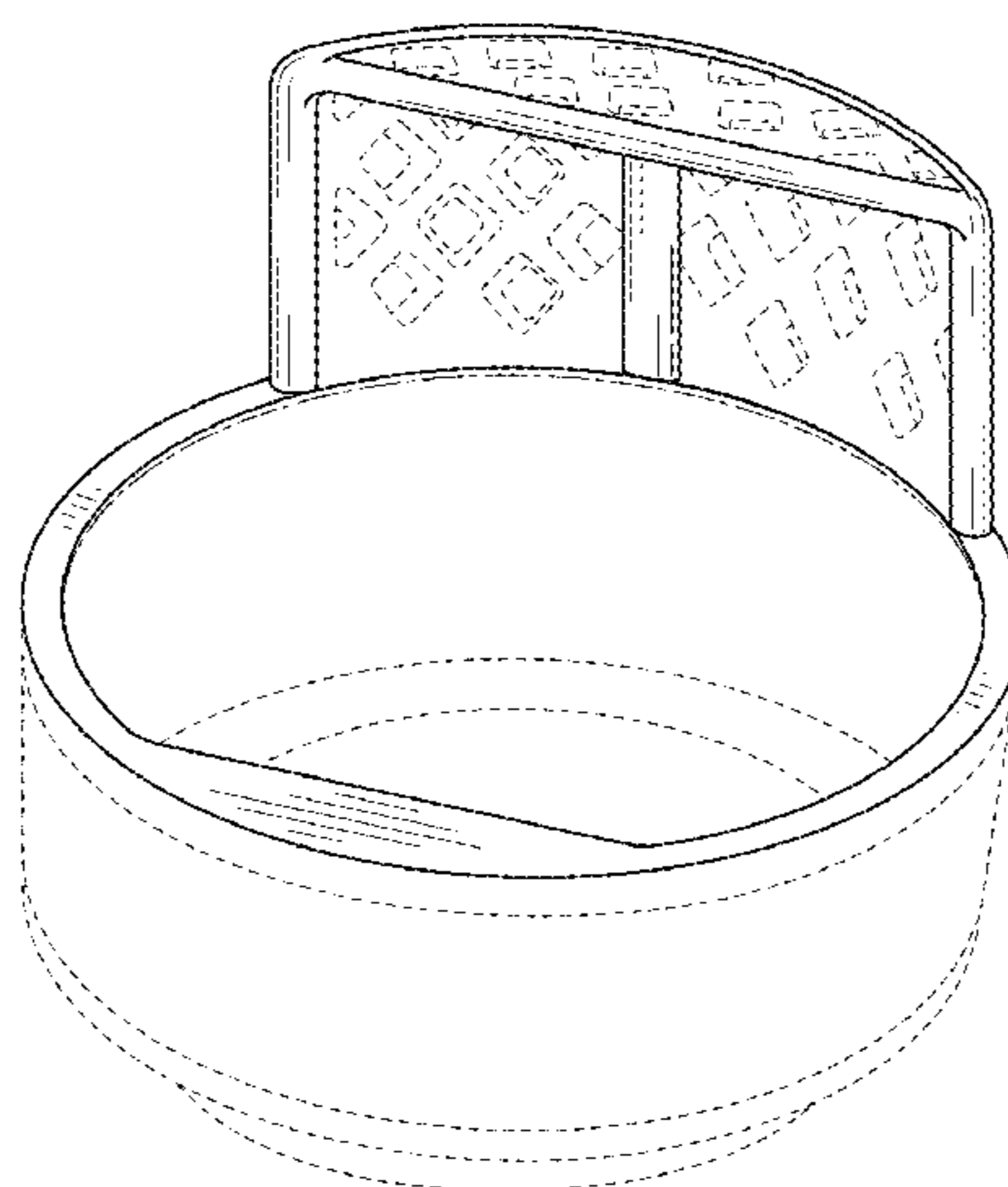
(57) **CLAIM**

The ornamental design for a hockey mug with a net, as shown and described.

DESCRIPTION

FIG. 1 is a top perspective view of a hockey mug with a net illustrating the Applicant's new design;
 FIG. 2 is a top view of the hockey mug with a net;
 FIG. 3 is a bottom view of the hockey mug with a net;
 FIG. 4 is a front view of the hockey mug with a net;
 FIG. 5 is a side view of the hockey mug with a net; and,
 FIG. 6 is an enlarged rear view thereof, the rest of the hockey mug with a net removed for ease of illustration.
 Where included, the use of stippling is intended to denote a difference in materials.
 The broken lines shown in the figures represent portions of a hockey mug with a net that form no part of the claimed design.

1 Claim, 3 Drawing Sheets



(56)

References Cited

U.S. PATENT DOCUMENTS

D333,373 S * 2/1993 Pacelli D99/37
 5,379,914 A * 1/1995 Martins A47G 19/2211
 220/269
 D360,667 S * 7/1995 Liu D21/703
 5,702,024 A * 12/1997 Riso A47G 19/2211
 220/704
 5,853,106 A * 12/1998 Galluzzo A47G 19/2211
 220/703
 6,102,203 A * 8/2000 Marro A47K 1/09
 206/362.1
 D473,105 S * 4/2003 Ayers D7/536
 D482,572 S * 11/2003 Mountain D7/536

D527,950 S * 9/2006 Scherer D7/531
 D529,250 S * 9/2006 Sofy D34/4
 D529,968 S * 10/2006 Frankel D21/699
 D556,514 S * 12/2007 Hamberger D7/536
 D562,636 S * 2/2008 Weber D7/509
 7,472,801 B1 * 1/2009 Moynihan B65F 1/14
 220/694
 7,611,146 B2 * 11/2009 Arden A63B 67/083
 273/317
 7,722,049 B2 * 5/2010 Williams A47G 19/025
 273/317
 D647,595 S * 10/2011 Reid D23/209
 D723,336 S * 3/2015 Ash D7/515
 D727,107 S * 4/2015 Parodi, Jr. D7/396.2
 D751,391 S * 3/2016 Wu D7/392.1

* cited by examiner

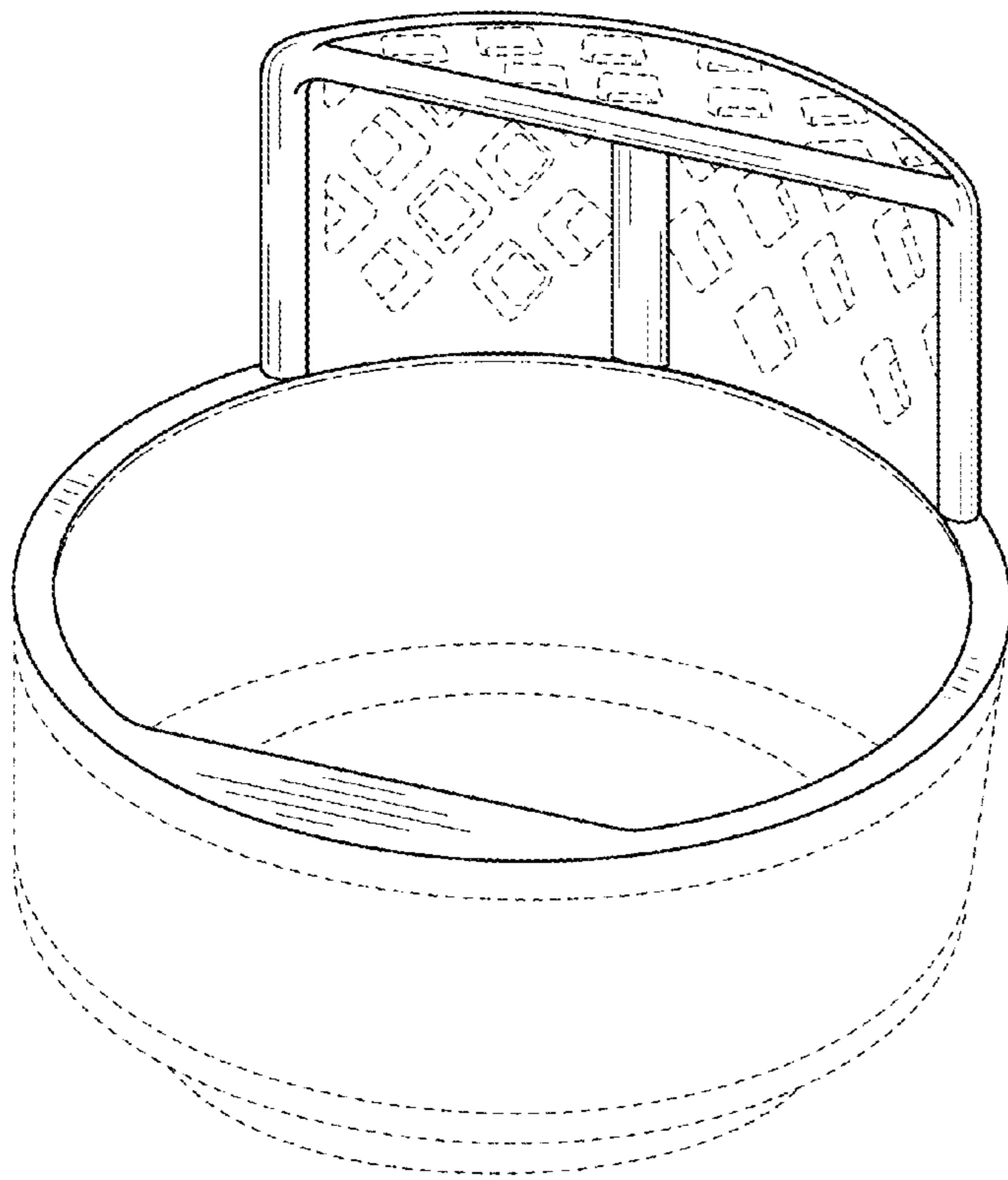


FIG. 1

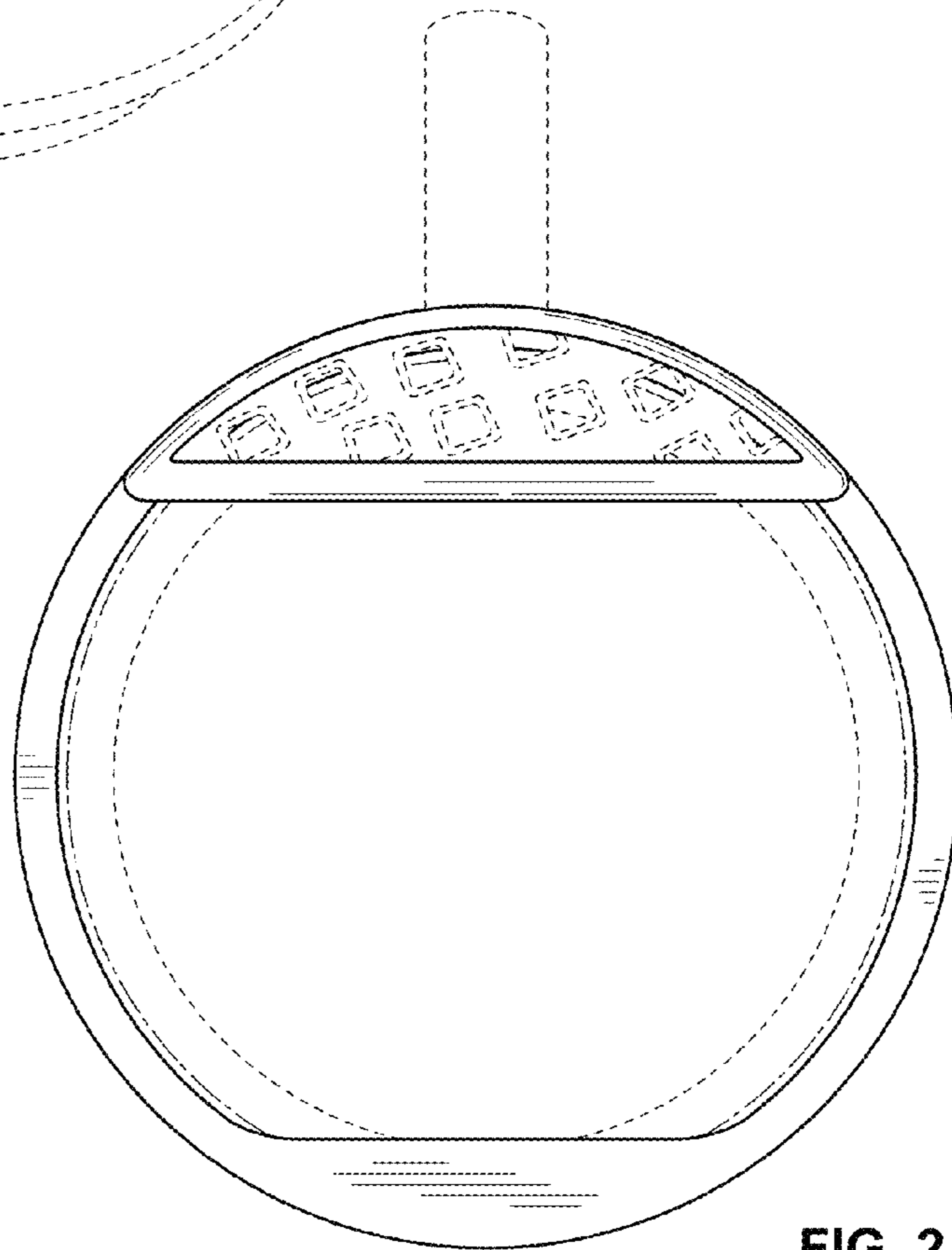


FIG. 2

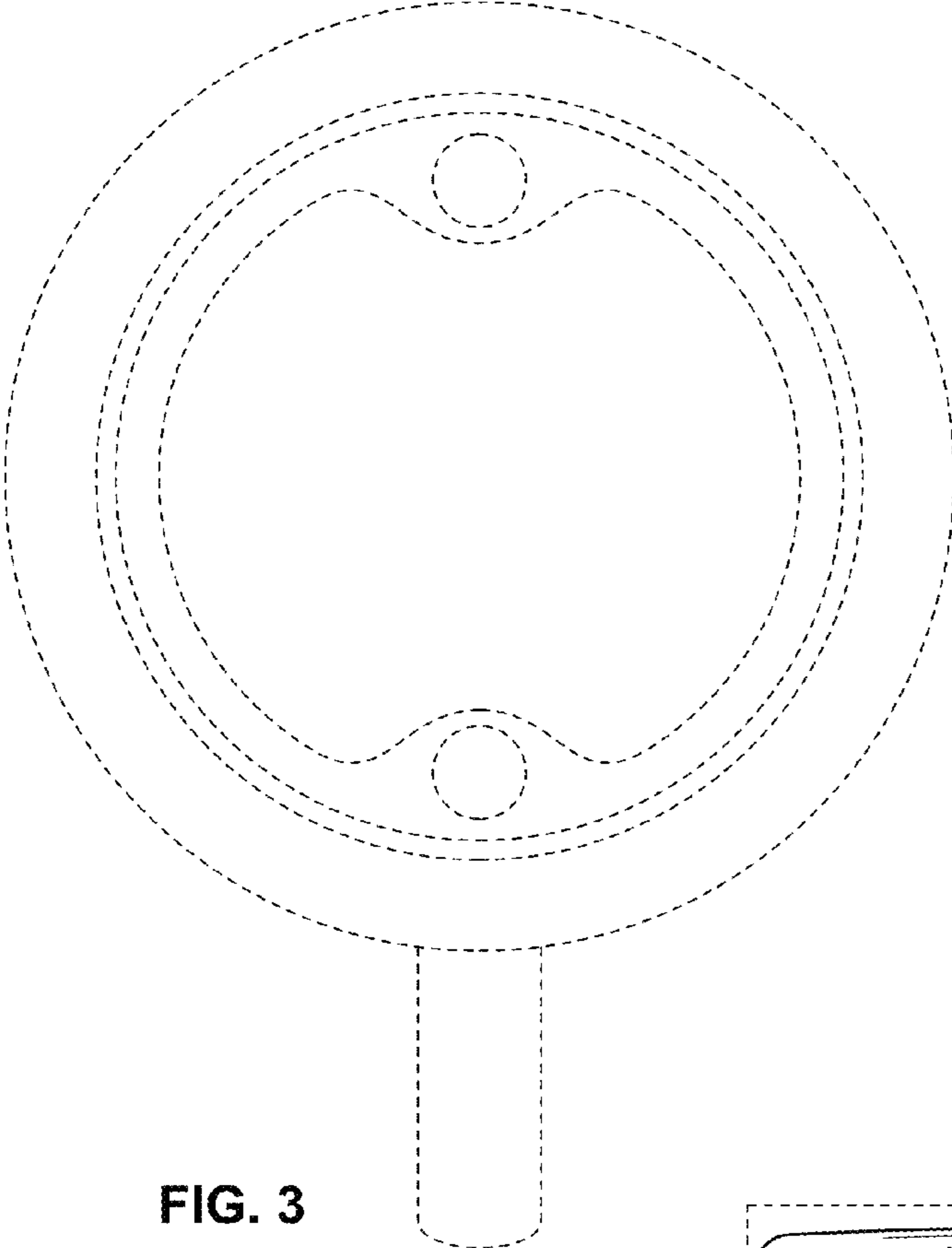


FIG. 3

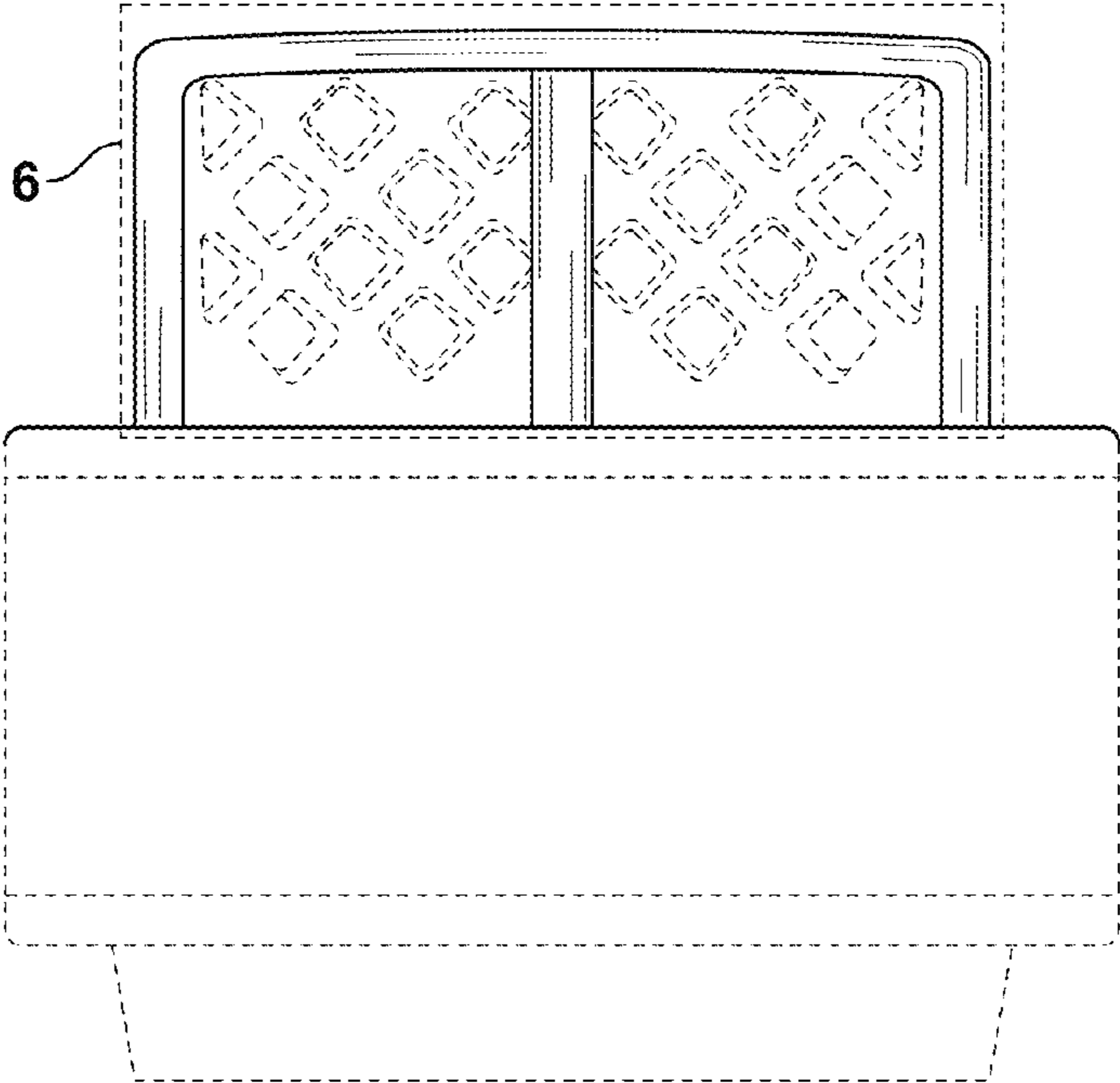


FIG. 4

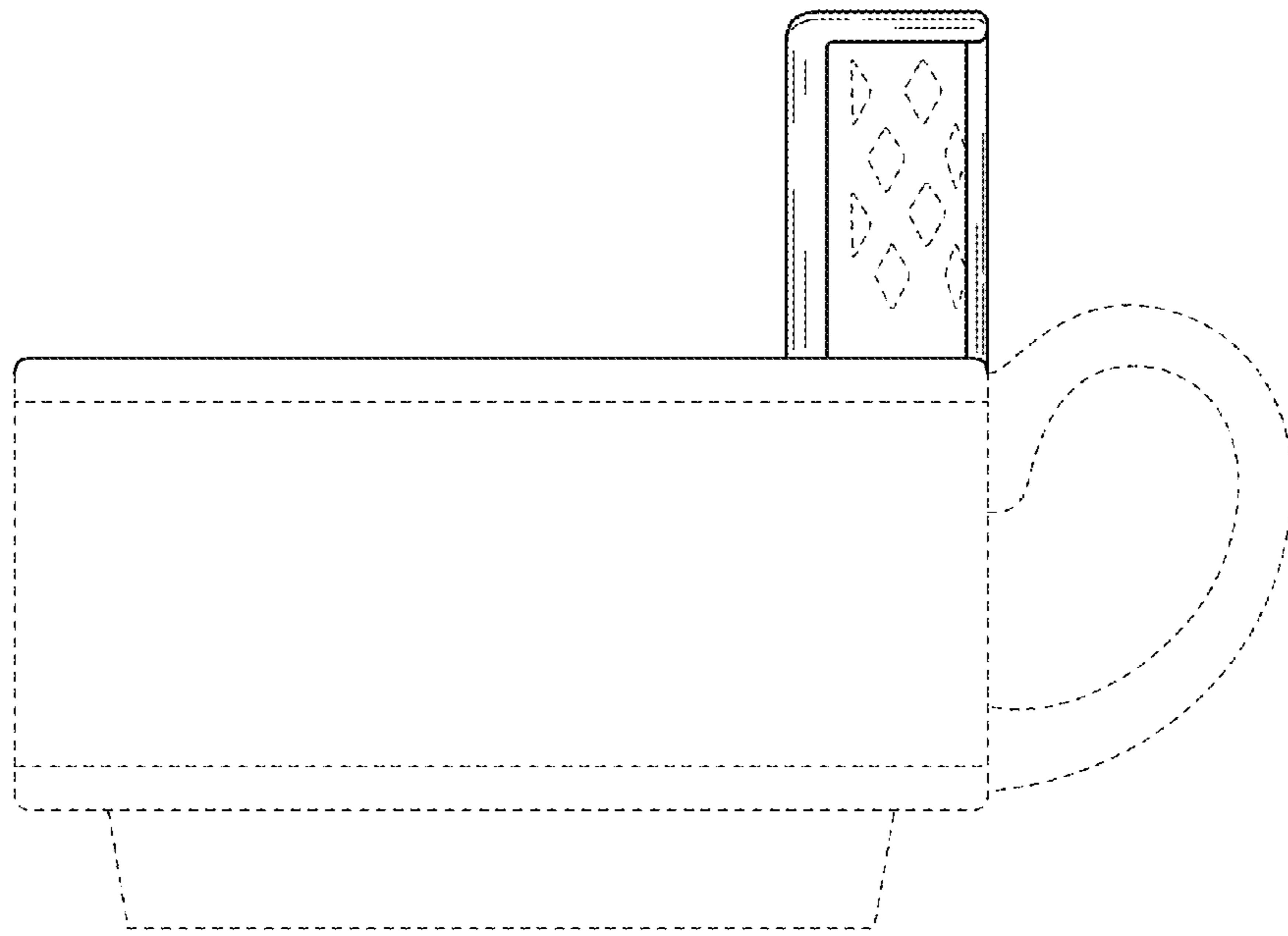


FIG. 5

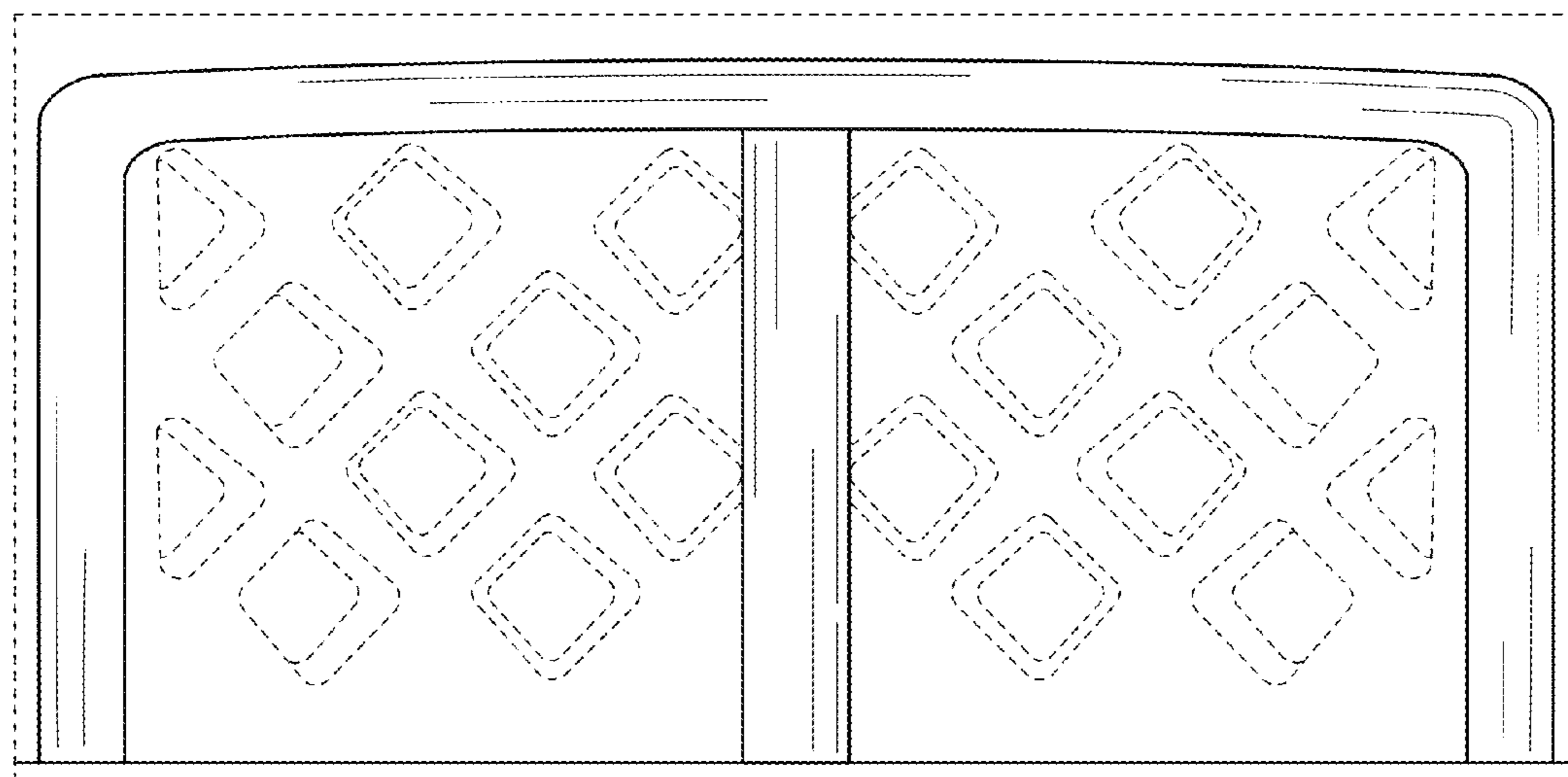


FIG. 6