



US00D760543S

(12) **United States Design Patent**
Lue et al.

(10) **Patent No.:** **US D760,543 S**
(45) **Date of Patent:** **** Jul. 5, 2016**

(54) **DUAL CHAMBER BOTTLE WITH STORABLE SPOUTS**

- (71) Applicant: **Tot Years, LLC**, Lansdale, PA (US)
- (72) Inventors: **Alecia S Lue**, Lansdale, PA (US); **David D McClanahan**, Harleysville, PA (US)
- (73) Assignee: **Tot Years LLC**, Lansdale, PA (US)
- (**) Term: **14 Years**
- (21) Appl. No.: **29/495,772**
- (22) Filed: **Jul. 3, 2014**
- (51) **LOC (10) Cl.** **07-01**
- (52) **U.S. Cl.**
USPC **D7/513**; D7/510; D7/507; D7/533
- (58) **Field of Classification Search**
USPC D7/507, 509, 510, 513, 523, 532–537, D7/524–528, 213, 396.4, 387, 389, 393, D7/395, 668; D9/533, 740, 439, 741, 742, D9/743, 747, 440, 436, 417; 220/592.16, 220/592.17, 592.2, 592.26, 592.27, 703, 220/4.26, 4.27; 215/387, 388, 400; D24/196, 197
CPC A47G 19/22; A47G 19/2205; A47G 19/2266; A47G 19/2272; A47G 19/23; A61J 7/0046; B29L 2031/7132; B65D 1/265
See application file for complete search history.

(56) **References Cited**

U.S. PATENT DOCUMENTS

D46,334 S *	9/1914	Fuchs	D9/741
D214,549 S *	7/1969	Ledewitz	D9/741
D251,104 S *	2/1979	Sanchez	D7/513
D254,597 S *	4/1980	Hartung	D9/520
D263,118 S	2/1982	Weckman		
D280,599 S	9/1985	Green		

(Continued)

Primary Examiner — Marianne Pandozzi
Assistant Examiner — Jae Liang

(74) *Attorney, Agent, or Firm* — Invention To Patent Services; Alex Hobson

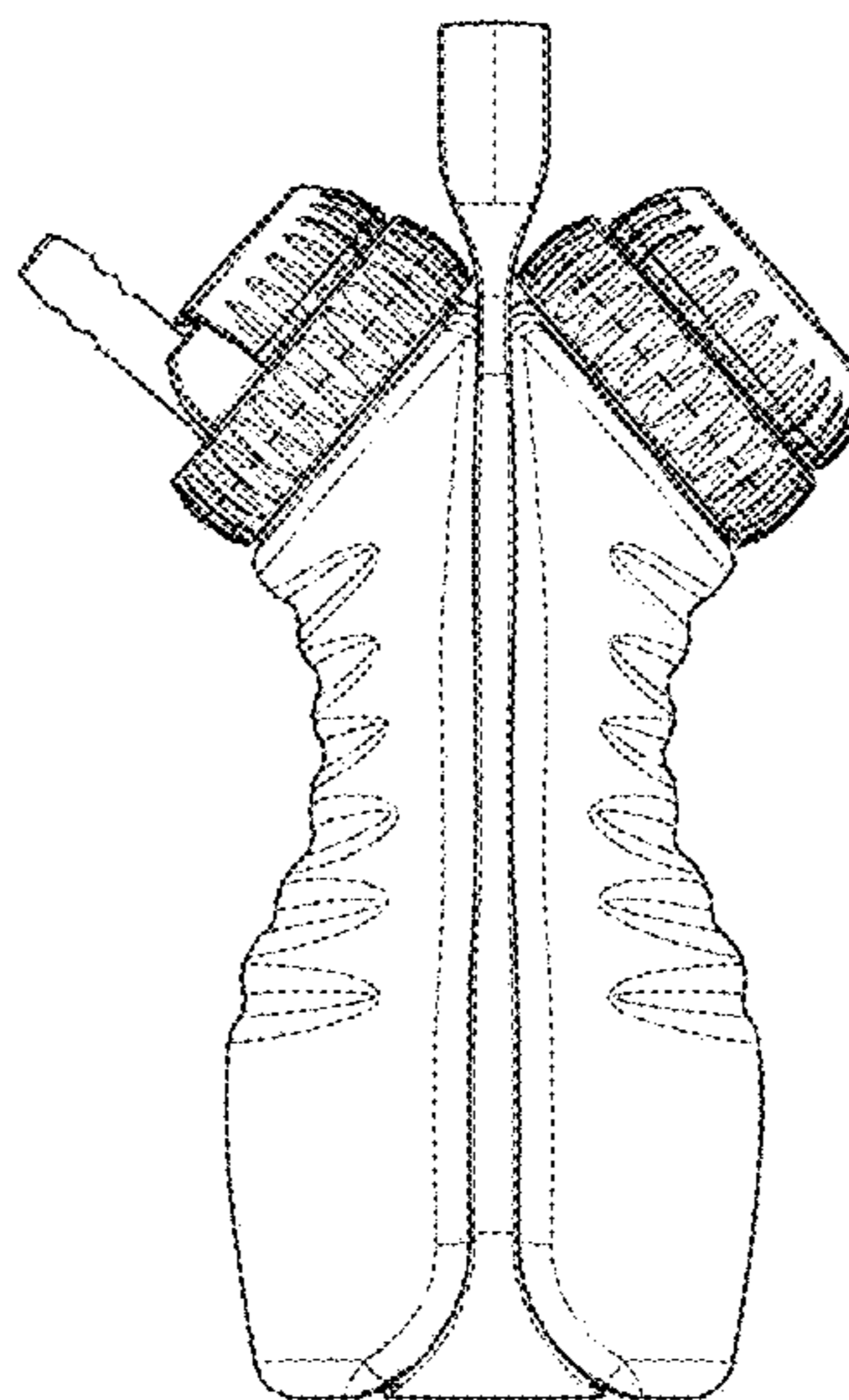
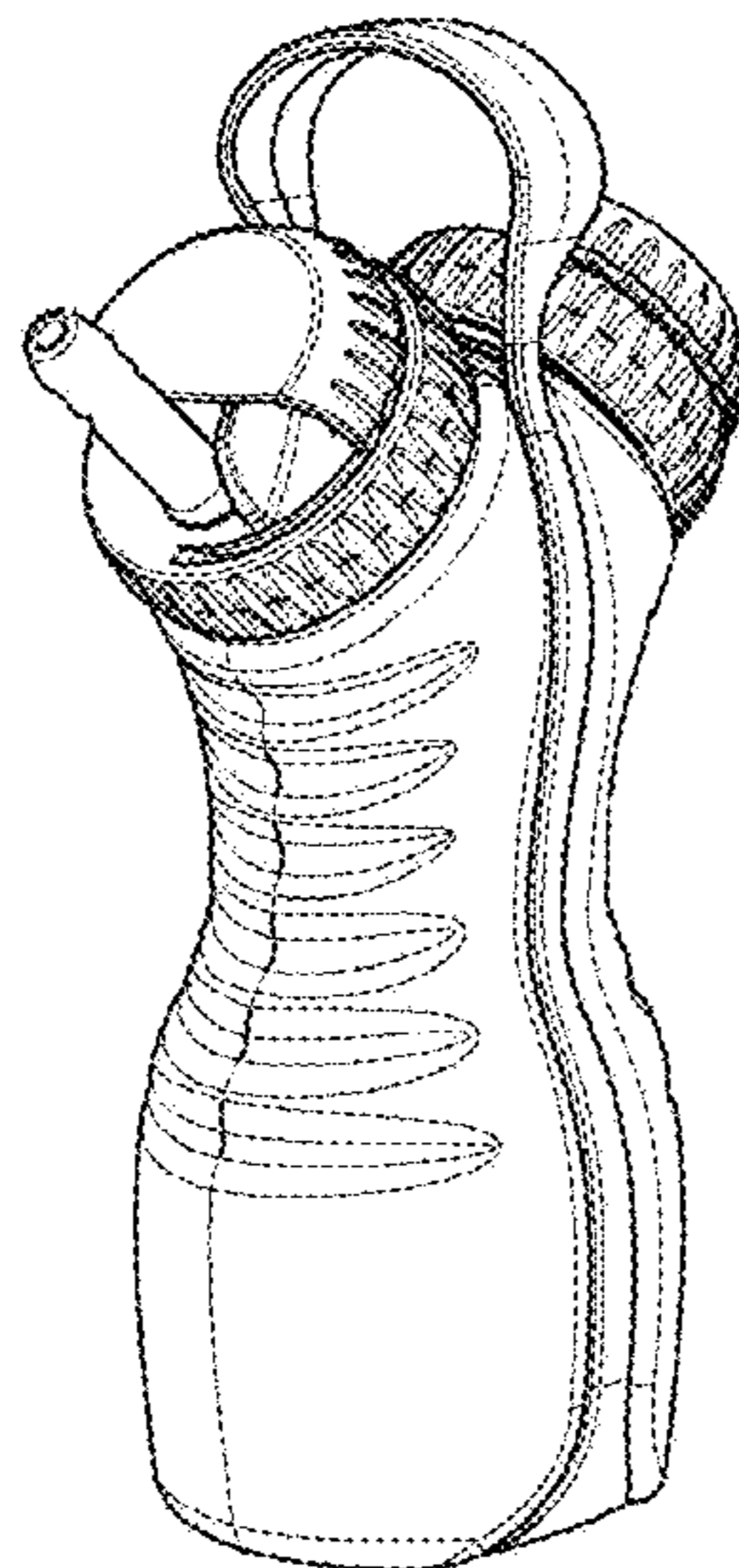
(57) **CLAIM**

The ornamental design for a dual chamber bottle with storable spouts, as shown and described.

DESCRIPTION

FIG. 1 is a perspective view of a dual chamber bottle with storable spouts in its first spout extended and second spout stored position showing our new design;
 FIG. 2 is a perspective view thereof in its first spout stored and second spout extended position;
 FIG. 3 is a side view of FIG. 1;
 FIG. 4 is a front view of FIG. 1;
 FIG. 5 is a rear view of FIG. 1;
 FIG. 6 is a top view of FIG. 1;
 FIG. 7 is a top view thereof with the caps and handle removed for ease of illustration;
 FIG. 8 is a perspective view FIG. 7;
 FIG. 9 is a top view of the spout in its extended position with the rest of the bottle removed for ease of illustration;
 FIG. 10 is a perspective view of FIG. 9;
 FIG. 11 is a top view of the spout in its partially closed position with the rest of the bottle removed for ease of illustration;
 FIG. 12 is a perspective view of FIG. 11;
 FIG. 13 is another top view of the spout in its partially closed position with the rest of the bottle removed for ease of illustration;
 FIG. 14 is a perspective view of FIG. 13;
 FIG. 15 is a top view of the spout in its completely closed position with the rest of the bottle removed for ease of illustration;
 FIG. 16 is a perspective view of FIG. 15;
 FIG. 17 is a top view of the spout in its folded position with the rest of the bottle removed for ease of illustration; and,
 FIG. 18 is perspective view of FIG. 17.

1 Claim, 7 Drawing Sheets



(56)

References Cited

U.S. PATENT DOCUMENTS

D288,526 S 3/1987 Parad
D301,688 S 6/1989 Green
D302,656 S 8/1989 Green
D307,111 S 4/1990 Green
D315,867 S 4/1991 Hestehave et al.
D323,108 S 1/1992 Green
D325,520 S * 4/1992 Biesecker D9/526
D326,606 S 6/1992 Green
5,150,815 A * 9/1992 Saklad A47G 19/2227
215/12.1
D333,263 S * 2/1993 Markuzov D9/524
D339,033 S * 9/1993 Bishop D7/513
D340,217 S * 10/1993 Delage D12/114
5,326,473 A * 7/1994 Lascombes A61M 1/1656
210/295
5,337,918 A * 8/1994 Wang B65D 47/2012
215/229
D358,985 S 6/1995 Rubin
5,497,901 A * 3/1996 Chen A47G 19/2266
215/388
D428,768 S * 8/2000 Betras D7/510
D431,158 S * 9/2000 Schwab D7/510
6,179,146 B1 * 1/2001 Betras B65D 21/0204
215/229
6,325,229 B1 * 12/2001 Anders B65D 21/0204
215/6
D454,068 S 3/2002 Hanson
D491,018 S * 6/2004 Vinarsky D3/202
D509,754 S 9/2005 Scott, III et al.
D511,385 S * 11/2005 Lieberman D24/197
D513,388 S * 1/2006 Akopyan D9/522
D516,864 S * 3/2006 Kleckauskas D7/507
D542,139 S * 5/2007 Welter D9/520
D562,701 S 2/2008 Thomas et al.

7,637,382 B2 * 12/2009 Kraus A61J 9/00
215/11.1
D642,437 S * 8/2011 Schofield D24/197
8,011,521 B2 * 9/2011 Clark B65D 1/0223
215/11.1
D650,233 S * 12/2011 Roehrig D24/197
D666,874 S * 9/2012 Sakulsacha D7/510
D682,033 S * 5/2013 Dunn D24/109
D682,034 S * 5/2013 El-Saden D7/510
D683,187 S * 5/2013 Gold D7/510
D683,188 S * 5/2013 Gold D7/510
D683,189 S * 5/2013 Thomas D7/510
D683,588 S * 6/2013 Dunn D24/197
D685,640 S * 7/2013 Laurita D9/526
D686,453 S * 7/2013 Smiedt D7/510
8,746,475 B2 * 6/2014 Kountotsis B65D 1/04
215/396
8,870,027 B2 * 10/2014 Kraenzle B65D 1/04
215/6
D717,601 S * 11/2014 Dixon D7/510
D722,828 S * 2/2015 Shamoan D7/510
D725,962 S * 4/2015 Marzotto D7/387
D727,749 S * 4/2015 DeMarco D9/629
D729,637 S * 5/2015 Jarbo D9/520
2002/0043511 A1 * 4/2002 Chan A61J 9/00
215/11.1
2004/0149775 A1 * 8/2004 Chen A45D 34/00
222/135
2006/0021996 A1 * 2/2006 Scott, III A47G 19/2266
222/145.5
2007/0039959 A1 * 2/2007 Choi B65D 47/065
220/212.5
2008/0000866 A1 * 1/2008 Yates, III B65D 21/0202
215/6
2013/0001233 A1 * 1/2013 Hylton A47G 19/2272
220/592.2

* cited by examiner

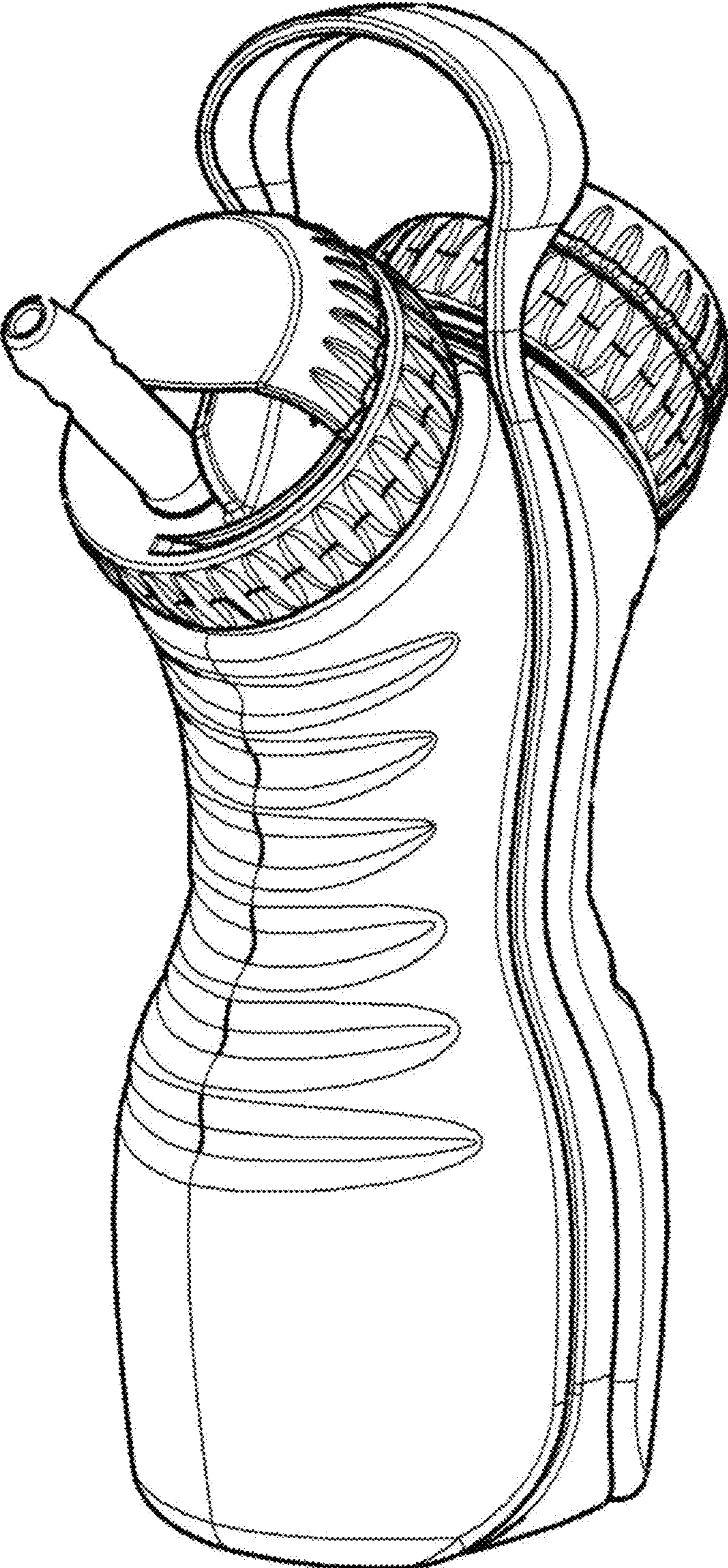


FIG. 1

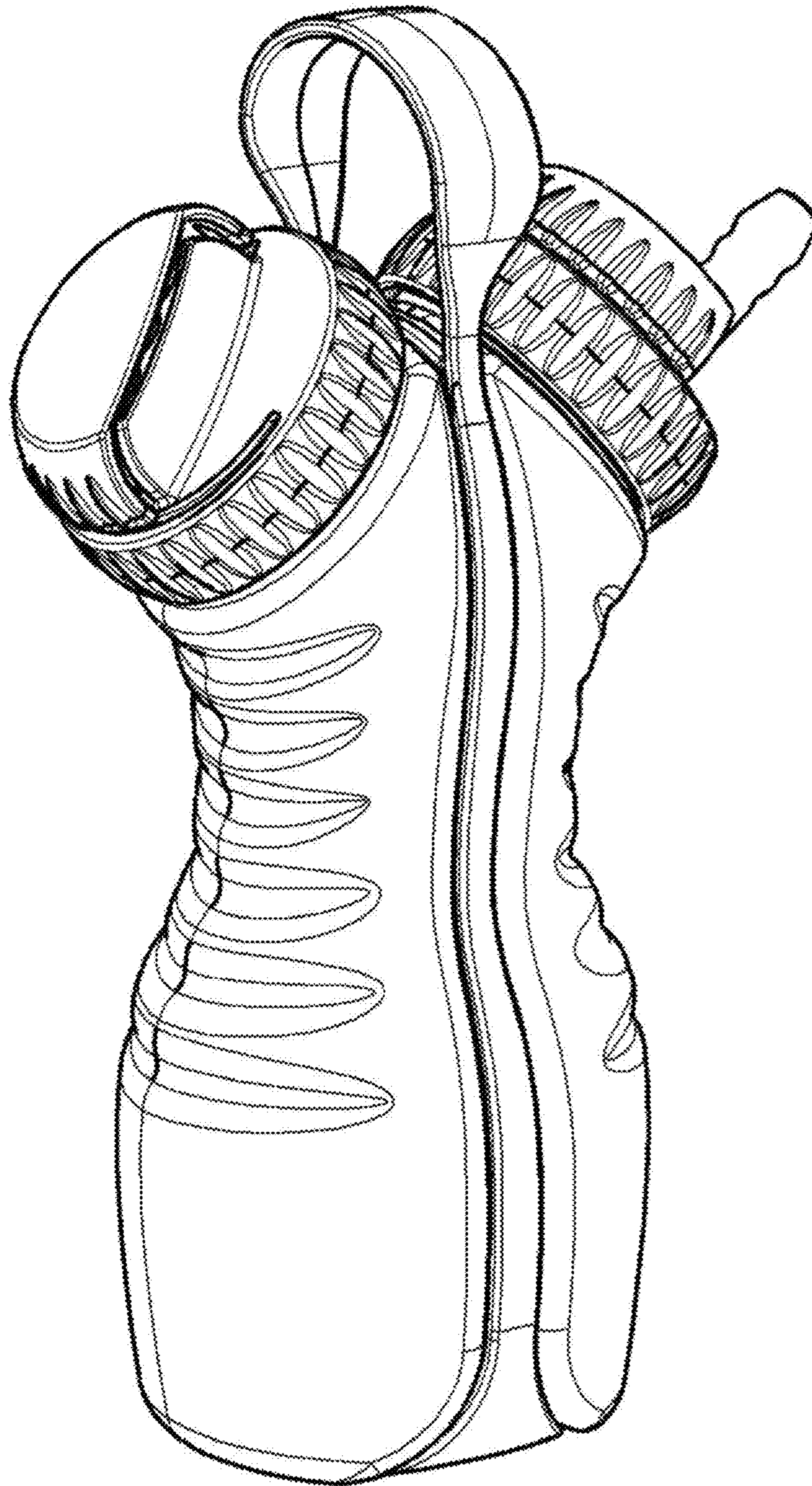


FIG. 2

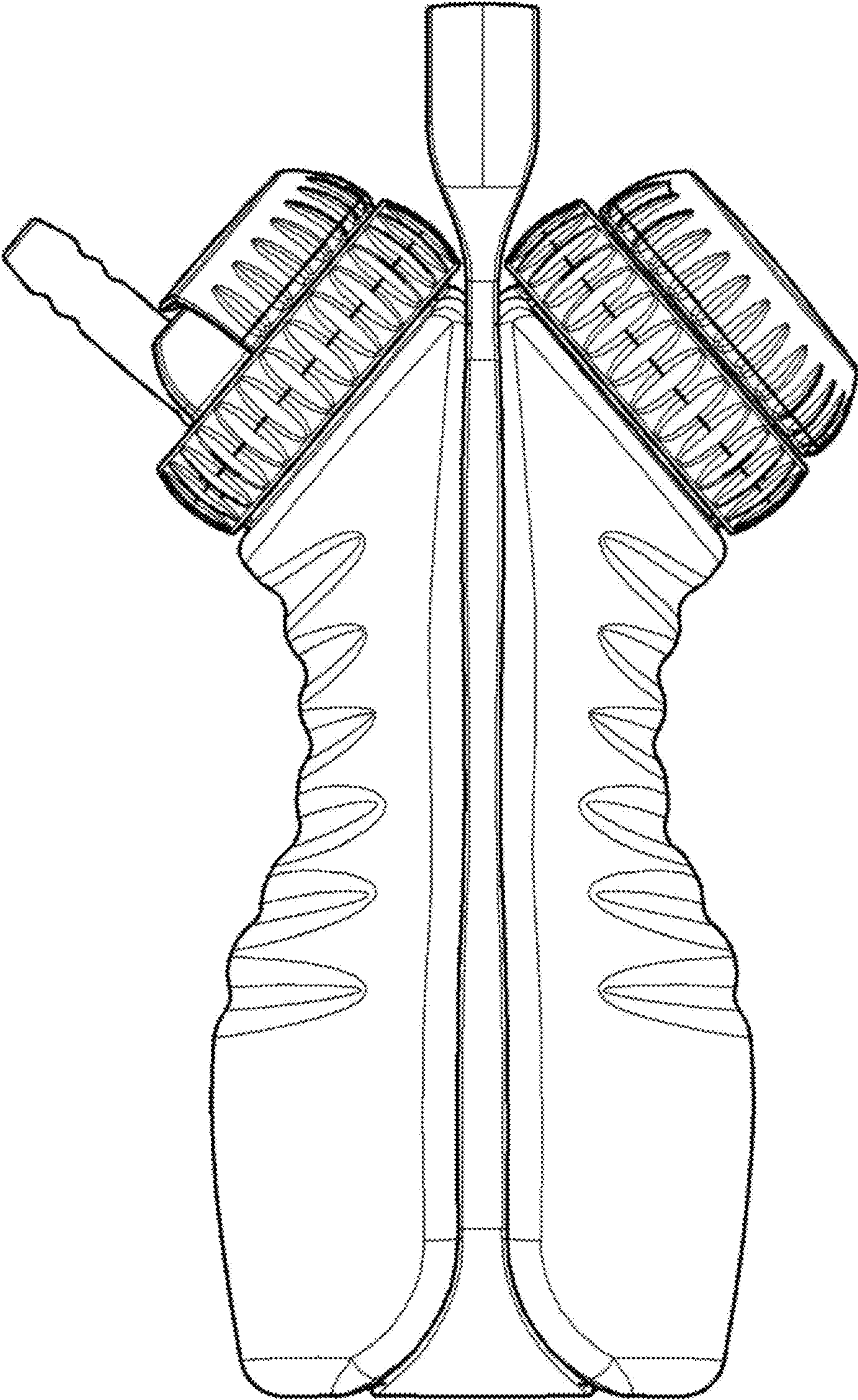


FIG. 3

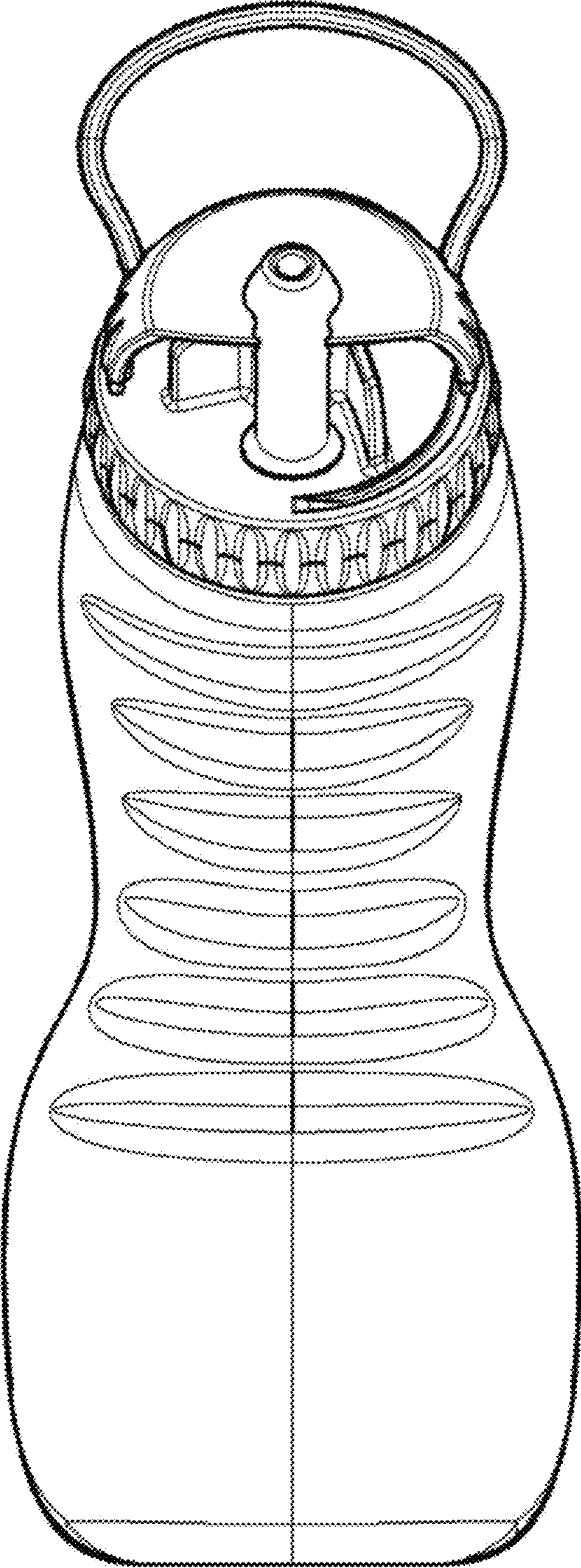


FIG. 4

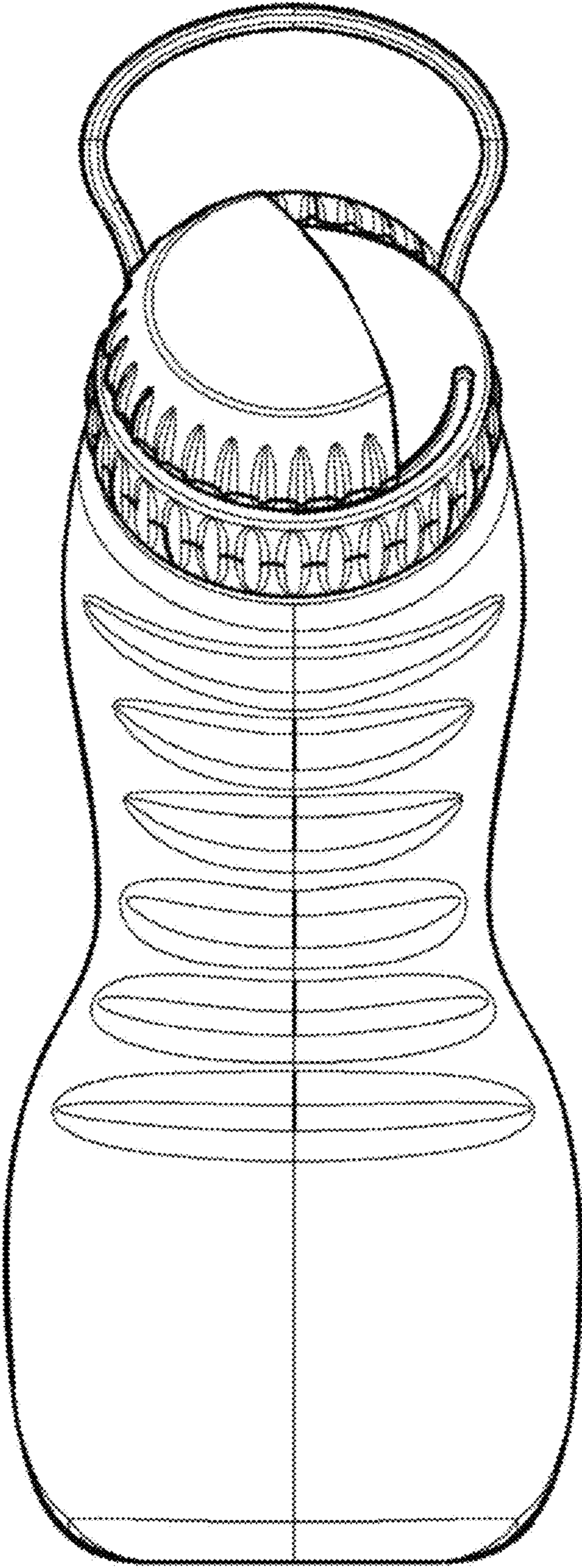


FIG. 5

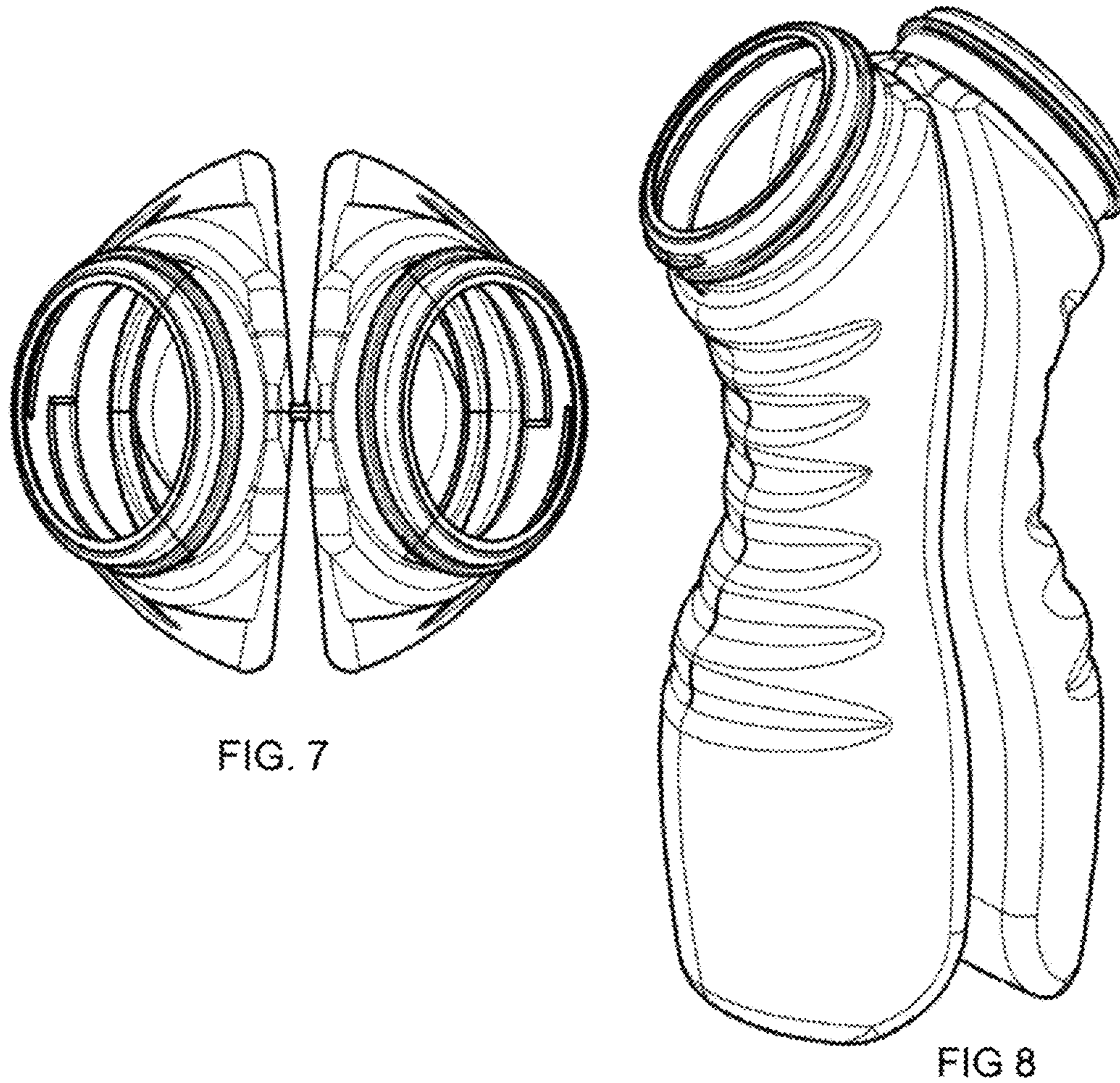
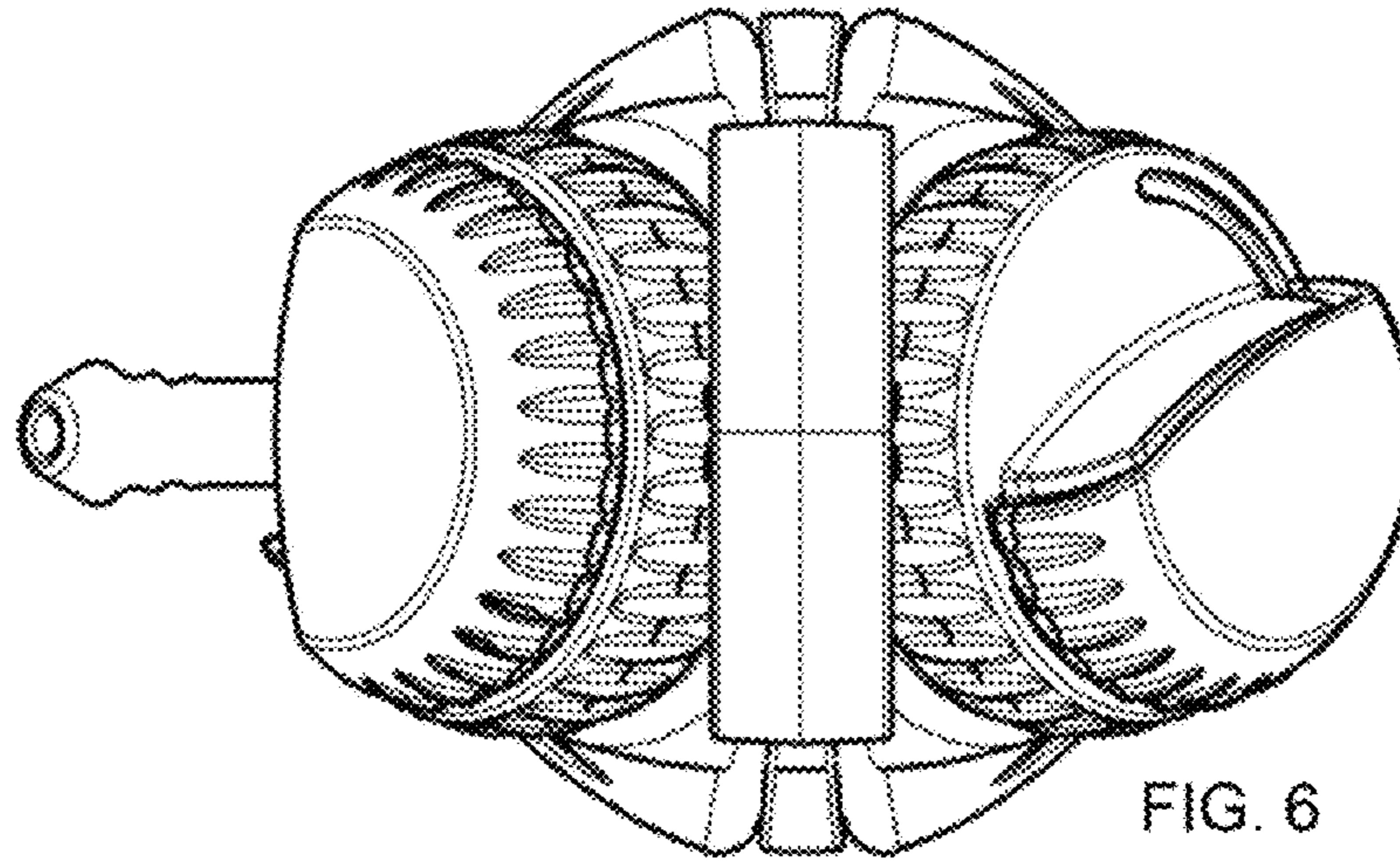


FIG. 9

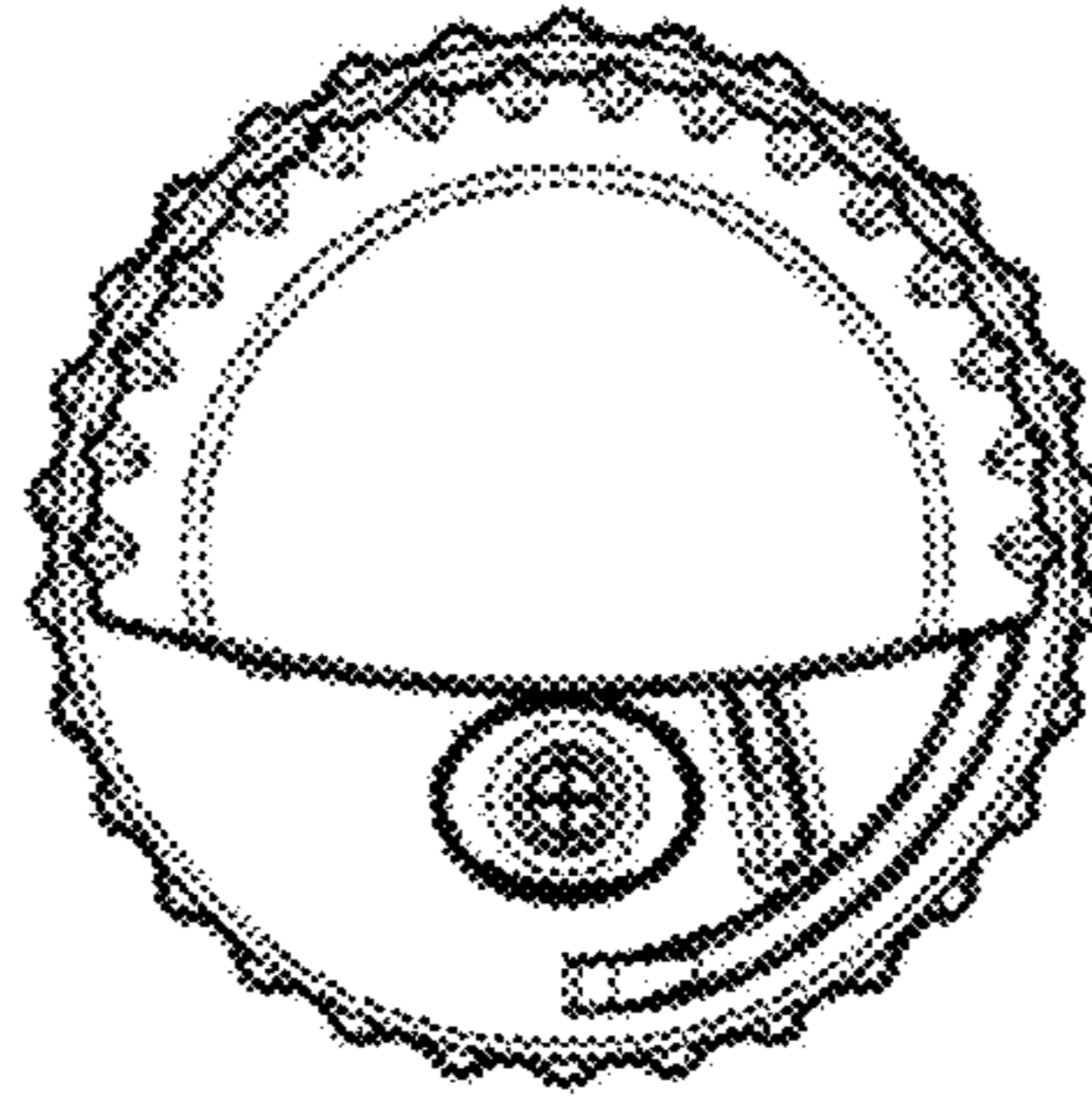


FIG. 10

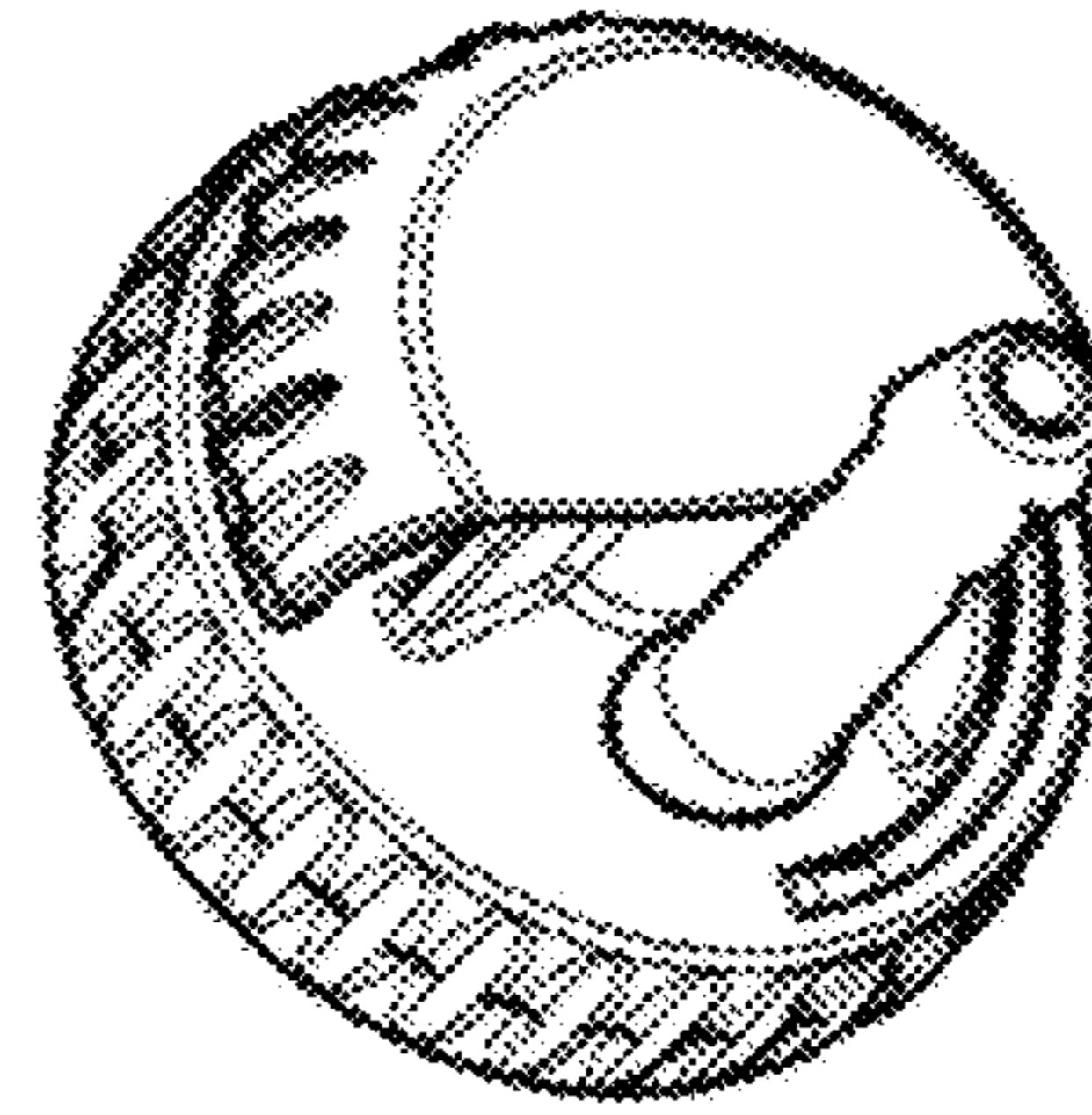


FIG. 11

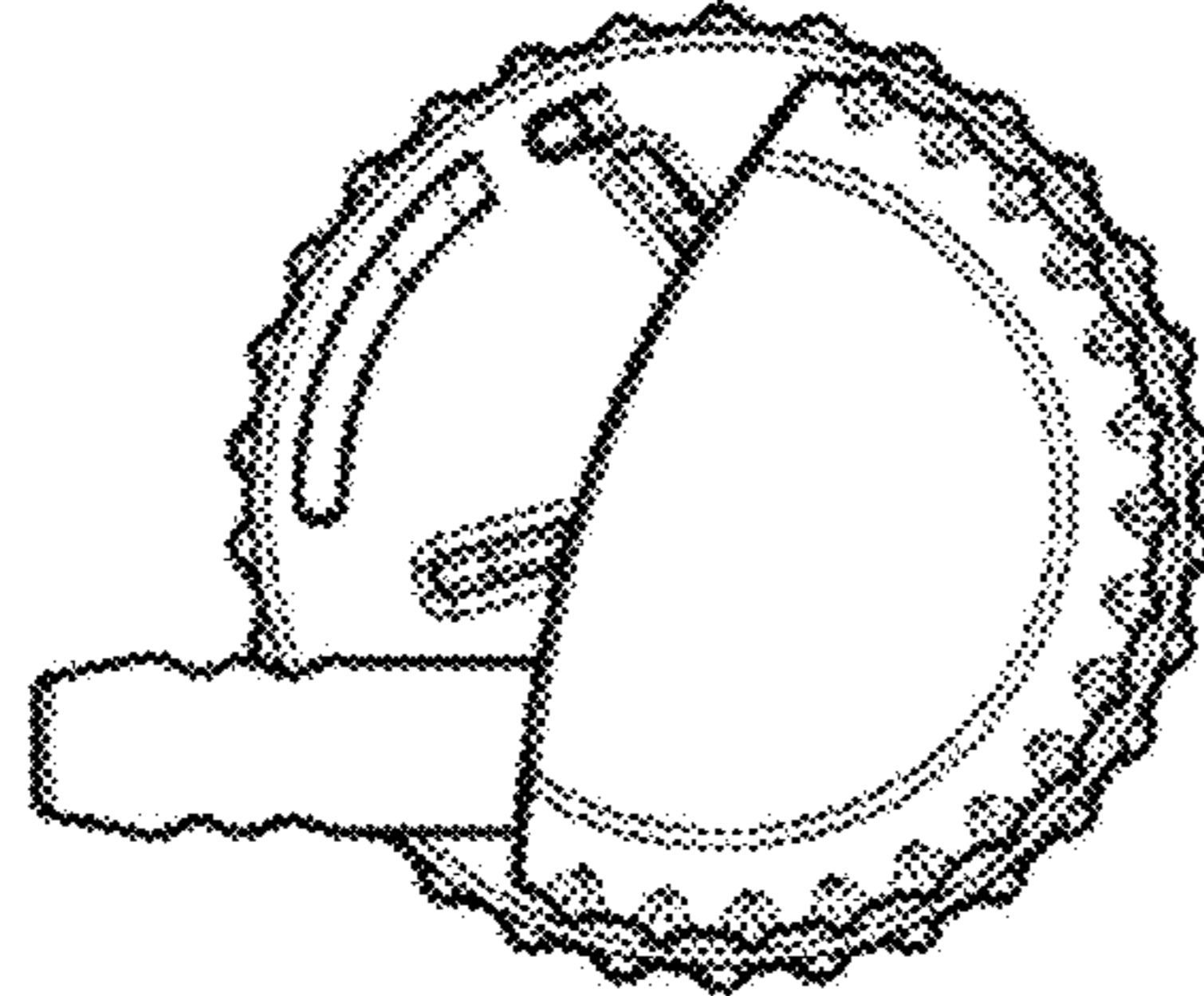


FIG. 12

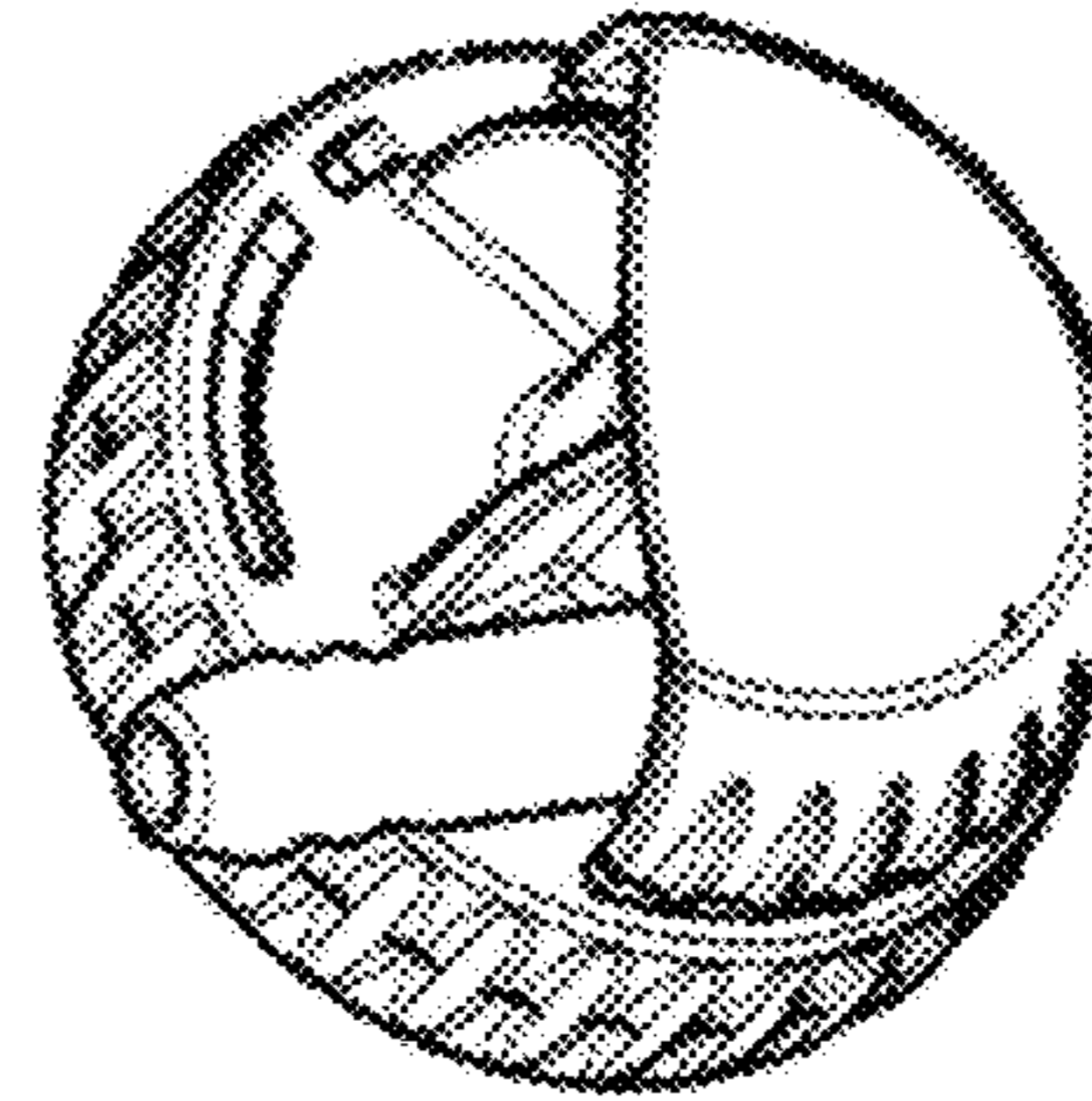


FIG. 13

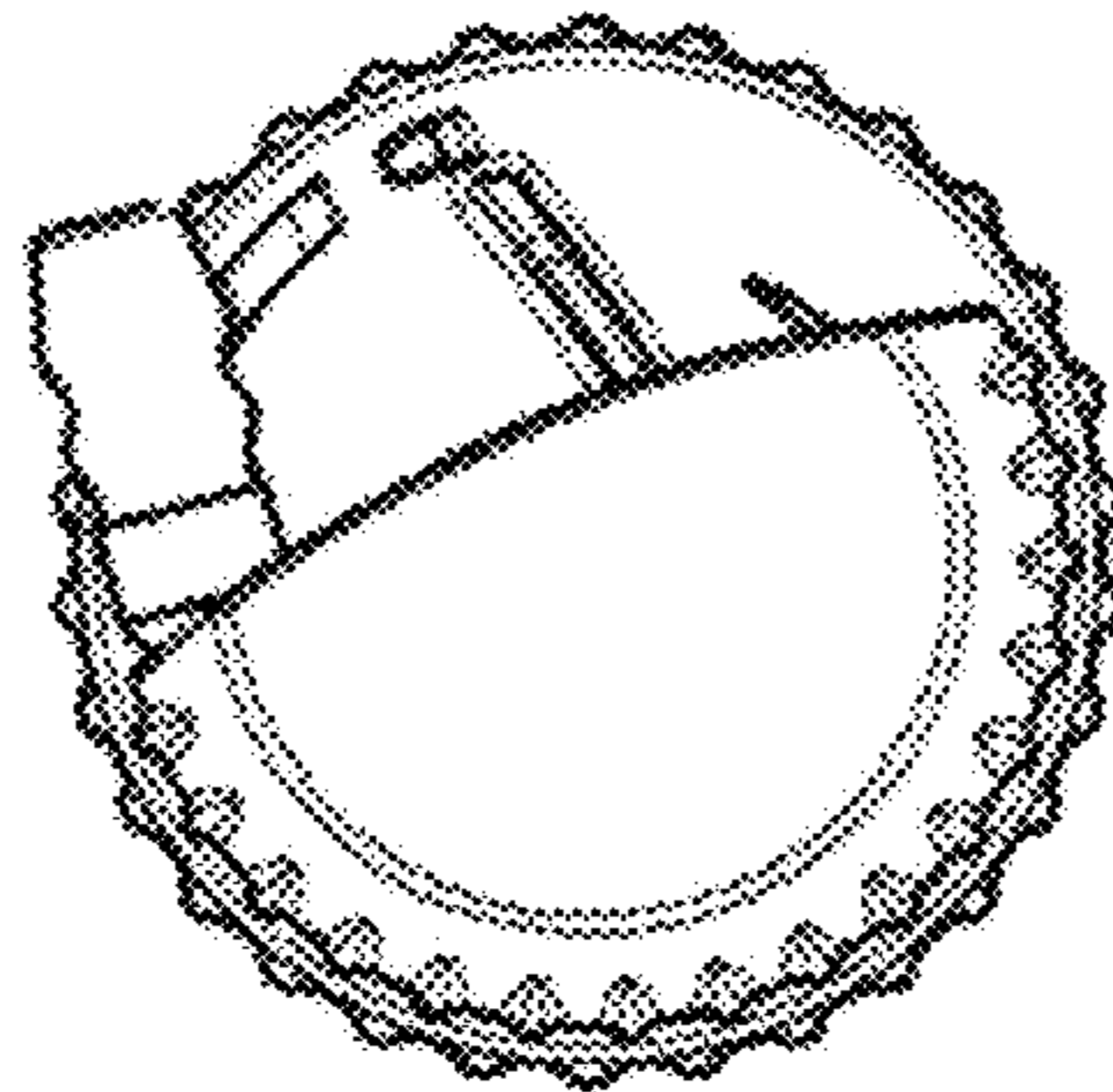


FIG. 14

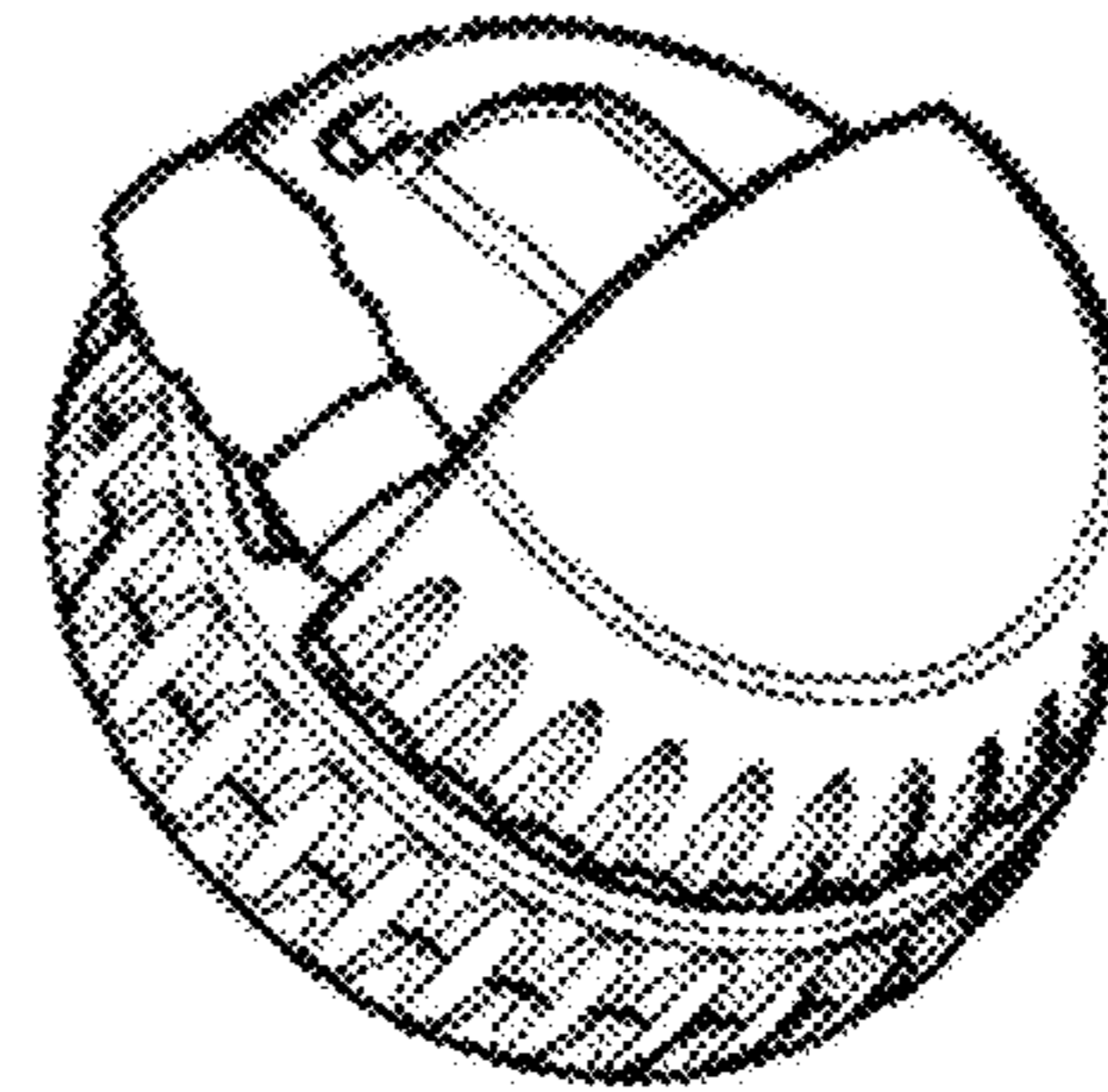


FIG. 15

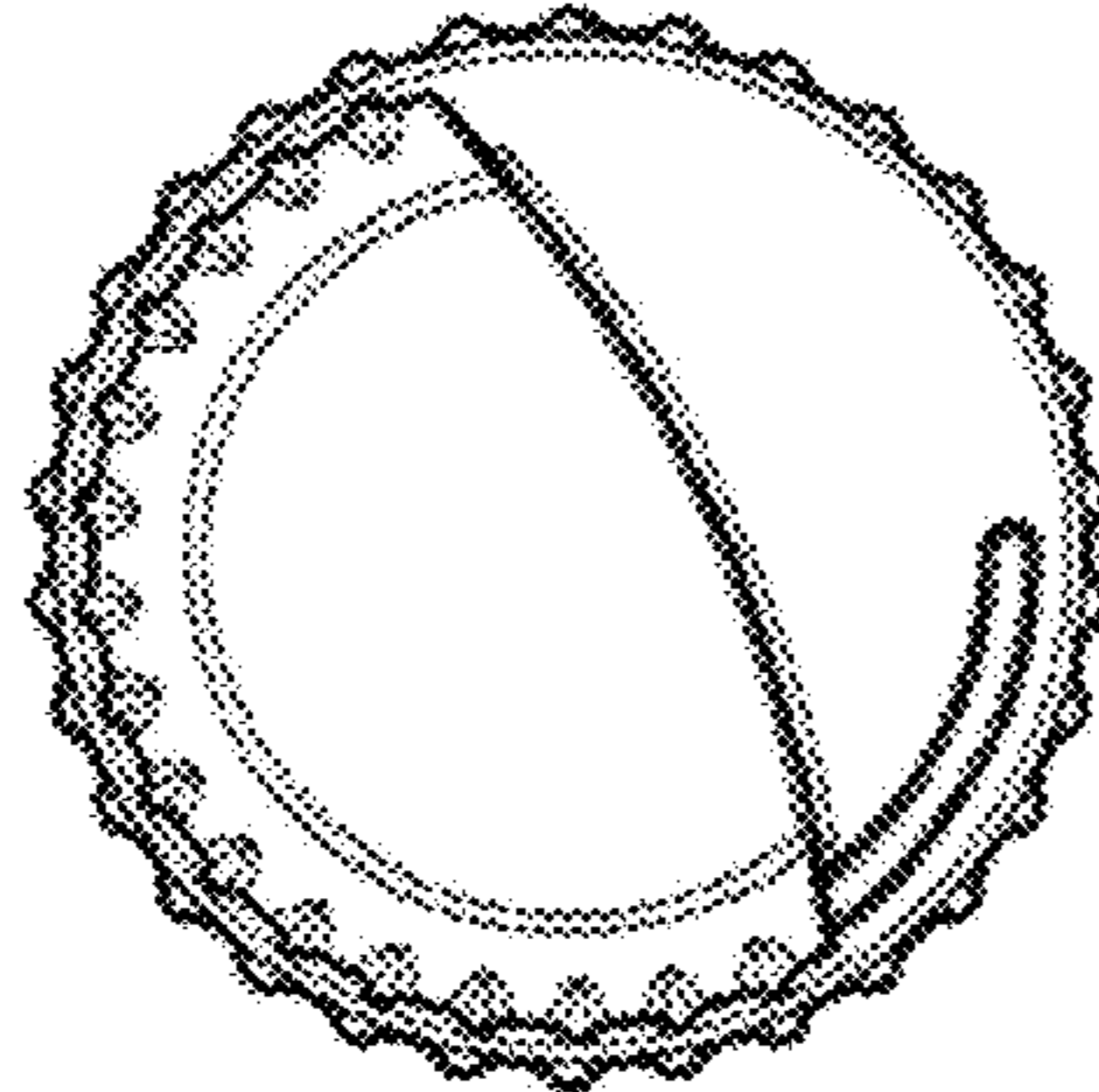


FIG. 16

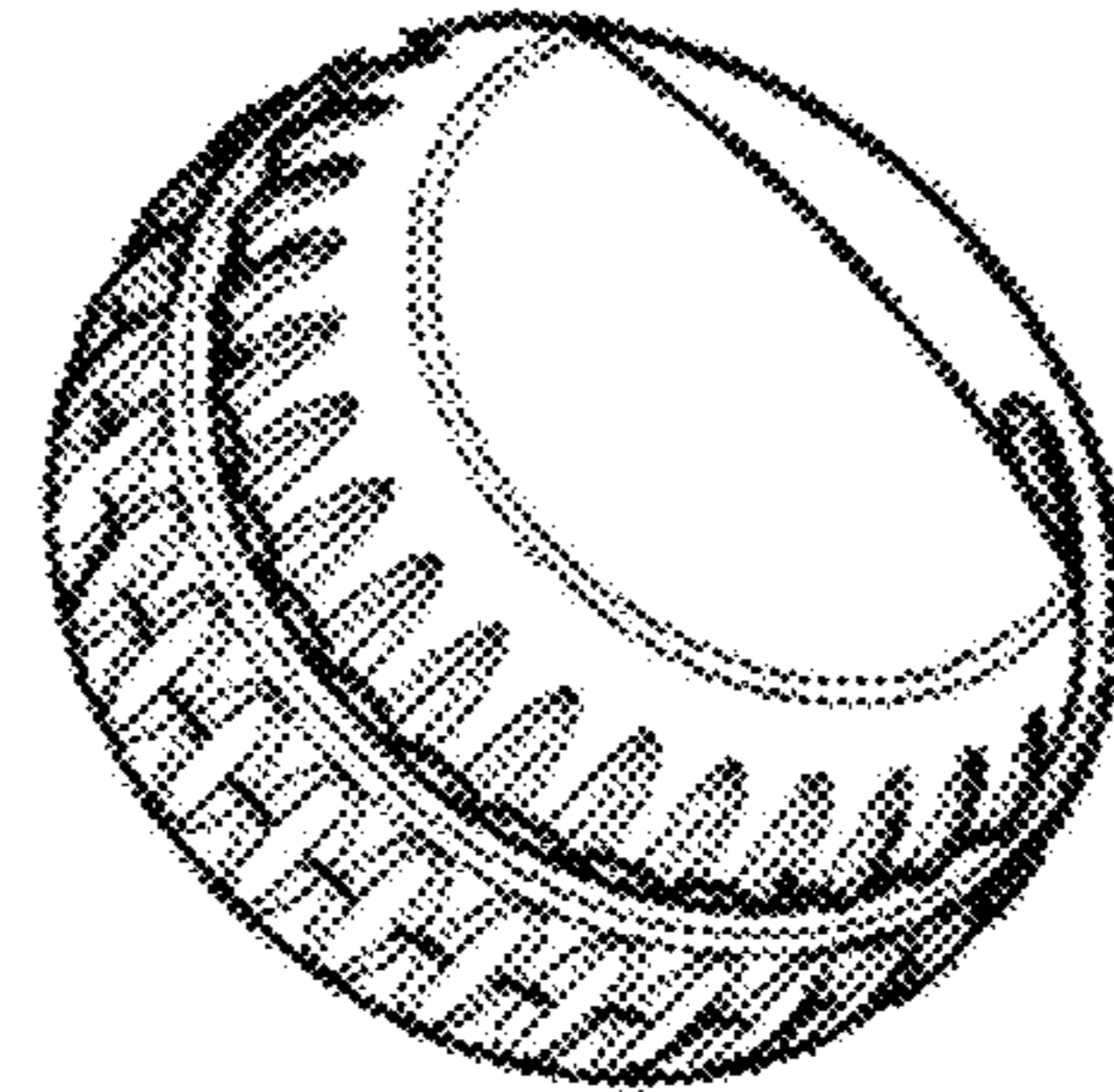


FIG. 17

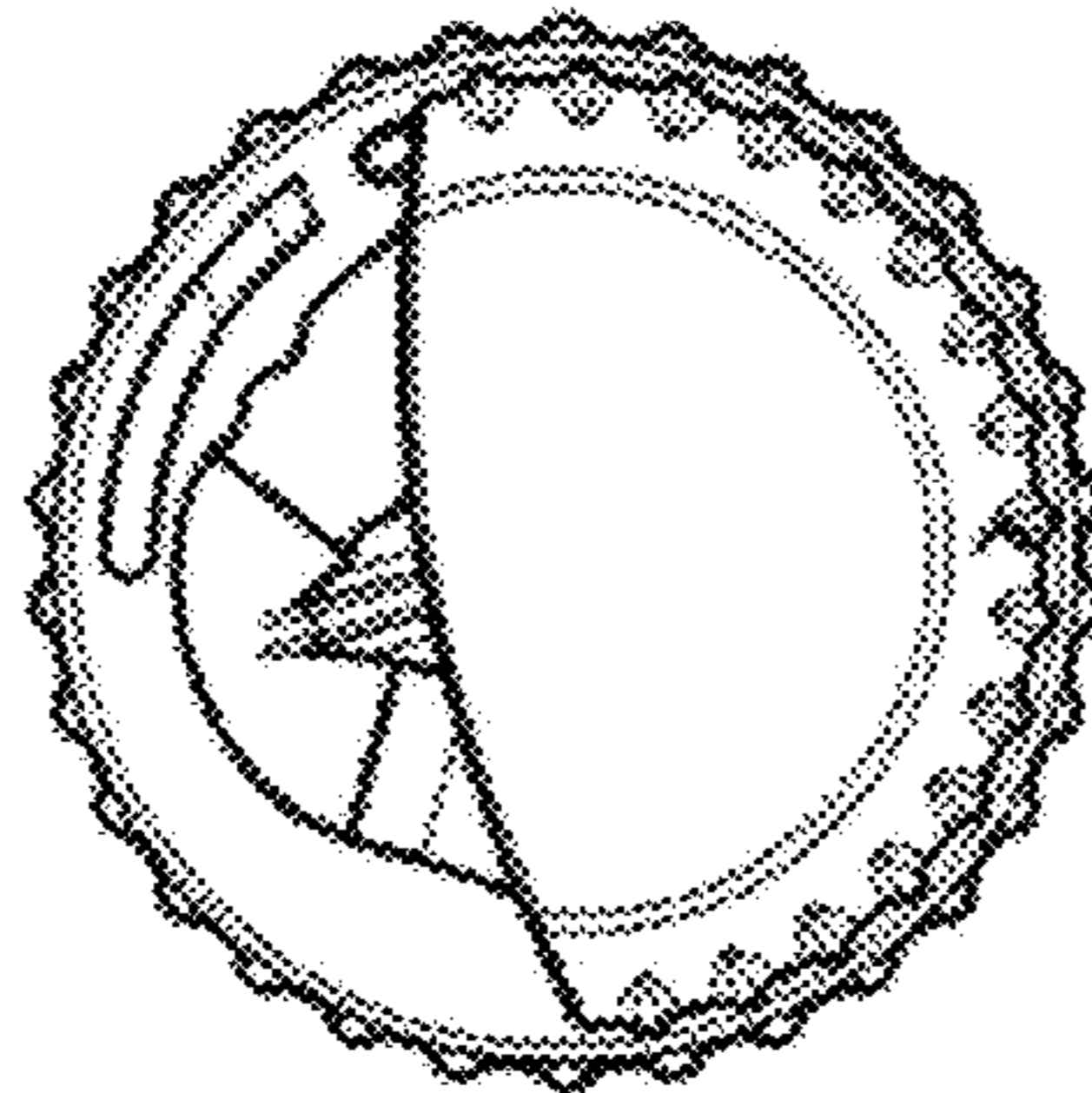


FIG. 18

