



US00D760541S

(12) **United States Design Patent**
Kane

(10) **Patent No.:** **US D760,541 S**
(45) **Date of Patent:** **** Jul. 5, 2016**

- (54) **HYDRATION BOTTLE**
- (71) Applicant: **Fit & Fresh, Inc.**, Providence, RI (US)
- (72) Inventor: **Jesse A. Kane**, Mansfield, MA (US)
- (73) Assignee: **Fit & Fresh, Inc.**, Indianapolis, IN (US)
- (**) Term: **14 Years**
- (21) Appl. No.: **29/519,445**
- (22) Filed: **Mar. 5, 2015**
- (51) **LOC (10) Cl.** **07-01**
- (52) **U.S. Cl.**
USPC **D7/510; D7/511; D7/529**
- (58) **Field of Classification Search**
USPC D7/507, 509, 510, 511, 513, 523, 529,
D7/532, 533, 534, 300, 300.1, 591, 608,
D7/392, 392.1, 396.1, 396.2, 900, 619.1,
D7/525, 624.1, 624.2, 213; D9/500, 501,
D9/502, 503, 504, 516, 517, 525, 435, 436,
D9/440, 442, 443, 449, 434, 556, 438, 538,
D9/447, 445, 563, 554, 550, 546, 545,
D9/446; D3/202; 222/480, 507, 546, 548,
222/553; 220/210, 212.5, 703, 709, 711;
215/12.1, 216; D12/118, 400, 123,
D12/108, 110, 114; D24/197
CPC B65D 23/02; B65D 39/0052; B65D
39/0082; B65D 39/0076; B65D 39/007;
B65D 43/0277; B65D 43/0279; B65D
43/0285; B65D 43/12; A61J 2205/20; A61J
2200/72; A61J 9/02; A61J 9/08
See application file for complete search history.

(56) **References Cited**
U.S. PATENT DOCUMENTS

D213,544 S	3/1969	Koenigsberg
D228,444 S	9/1973	Mascia
4,248,366 A	2/1981	Christiansen
4,514,995 A	5/1985	Curtis et al.

D310,962 S	10/1990	Dinand	
5,282,541 A	2/1994	Chen	
D354,913 S *	1/1995	Pezzoli	D24/197
5,667,135 A	9/1997	Schaefer	
D385,748 S	11/1997	Iodice et al.	
5,862,937 A	1/1999	Carrizales et al.	
6,026,983 A	2/2000	Graham	
6,029,938 A	2/2000	Fava	
D430,460 S	9/2000	Yu	
D433,802 S	11/2000	Graham	
D441,614 S	5/2001	Carroll	
6,286,798 B1	9/2001	Chun	
6,343,735 B1	2/2002	Cai	
D515,921 S *	2/2006	Marroncles	D9/449
7,111,753 B2	9/2006	Scheetz, II et al.	
H2199 H *	9/2007	Horton	D24/197
D565,416 S	4/2008	Lepoitevin	
D575,583 S	8/2008	Morgan	

(Continued)

OTHER PUBLICATIONS

SmartShake® webpage printout, Apr. 23, 2014, Smartshake, Sweden.

(Continued)

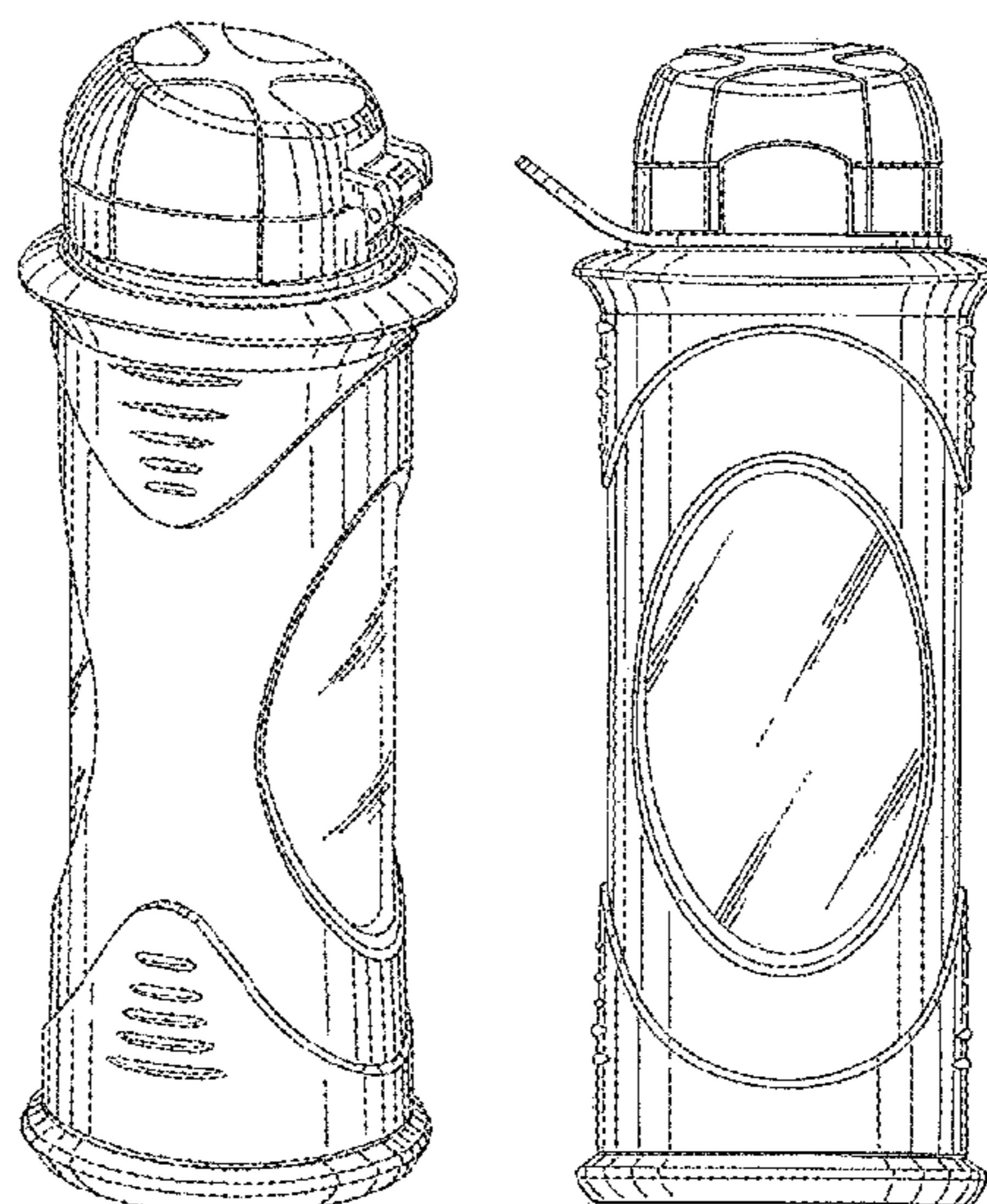
Primary Examiner — Marianne Pandozzi
Assistant Examiner — Jae Liang

(57) **CLAIM**
The ornamental design for a hydration bottle, as shown and described.

DESCRIPTION

FIG. 1 is a top perspective view of a hydration bottle showing my new design;
FIG. 2 is a top plan view thereof;
FIG. 3 is a bottom plan view thereof;
FIG. 4 is a right side elevational view thereof;
FIG. 5 is a rear elevational view thereof;
FIG. 6 is a left side elevational view thereof; and,
FIG. 7 is a front elevational view thereof.

1 Claim, 3 Drawing Sheets



(56)

References Cited

U.S. PATENT DOCUMENTS

D583,245 S 12/2008 Lepoitevin
 7,467,727 B2 12/2008 Yuhara
 D585,700 S 2/2009 Chu
 D592,069 S 5/2009 Kruparova
 D597,365 S 8/2009 Oas
 D608,640 S * 1/2010 Carreno D9/449
 D615,360 S 5/2010 Joy et al.
 D615,816 S 5/2010 Joy et al.
 D616,703 S 6/2010 Joy et al.
 D618,065 S 6/2010 Joy et al.
 D620,315 S 7/2010 Boonprasop
 D620,316 S * 7/2010 McKinney D7/509
 D621,220 S 8/2010 Lown et al.
 D621,259 S 8/2010 Joy et al.
 D627,598 S 11/2010 Boonprasop
 D629,259 S 12/2010 Joy et al.
 D634,206 S 3/2011 Eisen
 D640,093 S 6/2011 Picozza et al.
 D641,240 S * 7/2011 Rognard D9/443
 D642,437 S 8/2011 Schofield et al.
 D643,735 S 8/2011 Sherwood
 D644,927 S 9/2011 White et al.
 D644,929 S * 9/2011 White D7/509
 D652,307 S 1/2012 White et al.
 D655,569 S 3/2012 Lipson
 8,141,731 B2 3/2012 Mazurkiewicz et al.
 D658,450 S * 5/2012 Ying D7/608
 D663,038 S 7/2012 Enghard
 D675,059 S * 1/2013 Carreno D7/392.1
 D675,329 S 1/2013 Berkovitch
 8,475,494 B2 7/2013 Marcus et al.
 D689,331 S * 9/2013 Staton D7/510
 D690,556 S 10/2013 Boroski
 D691,891 S 10/2013 Joy

8,550,269 B2 10/2013 Lane
 D692,724 S 11/2013 Smiedt et al.
 8,579,133 B2 11/2013 Marcus et al.
 D696,080 S 12/2013 Joy
 8,622,229 B2 1/2014 Lane
 8,636,166 B2 1/2014 Lane
 D698,657 S 2/2014 Bernstein et al.
 D700,806 S 3/2014 Joy
 D701,091 S 3/2014 Joy
 8,668,106 B1 3/2014 Joy et al.
 D707,087 S 6/2014 Joy
 8,746,487 B1 6/2014 Joy
 D713,201 S * 9/2014 Rees D7/509
 8,827,099 B2 9/2014 Joy et al.
 D724,896 S * 3/2015 Williams D7/511
 D730,533 S * 5/2015 Wilson D24/197
 D732,340 S * 6/2015 Kane D7/509
 D741,656 S * 10/2015 Tello D7/510
 2001/0023595 A1 9/2001 Kaposi
 2001/0027979 A1 10/2001 Canfield
 2001/0032867 A1 10/2001 Silbert
 2001/0040380 A1 11/2001 Forjone
 2002/0017502 A1 2/2002 Renz
 2004/0084460 A1 5/2004 Scheetz, II et al.
 2006/0131258 A1 6/2006 Yourist
 2008/0078824 A1 4/2008 Spriegel et al.
 2014/0034660 A1 2/2014 Marcus et al.
 2014/0138395 A1 5/2014 Joy et al.
 2014/0252000 A1 9/2014 Joy
 2014/0299603 A1 10/2014 Joy

OTHER PUBLICATIONS

Thermos® webpage printout, 2011 copyright, "Teal Hydration Bottle with rotating Meter on Lid".

* cited by examiner

FIG. 1

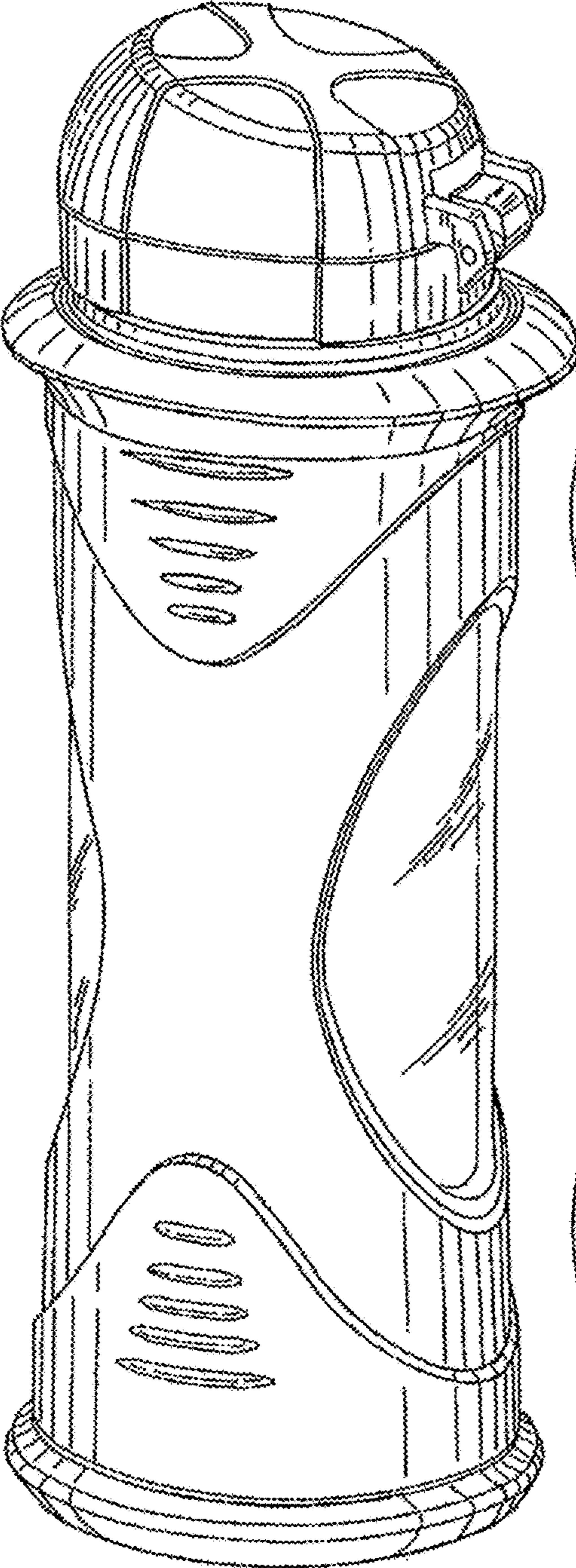


FIG. 2

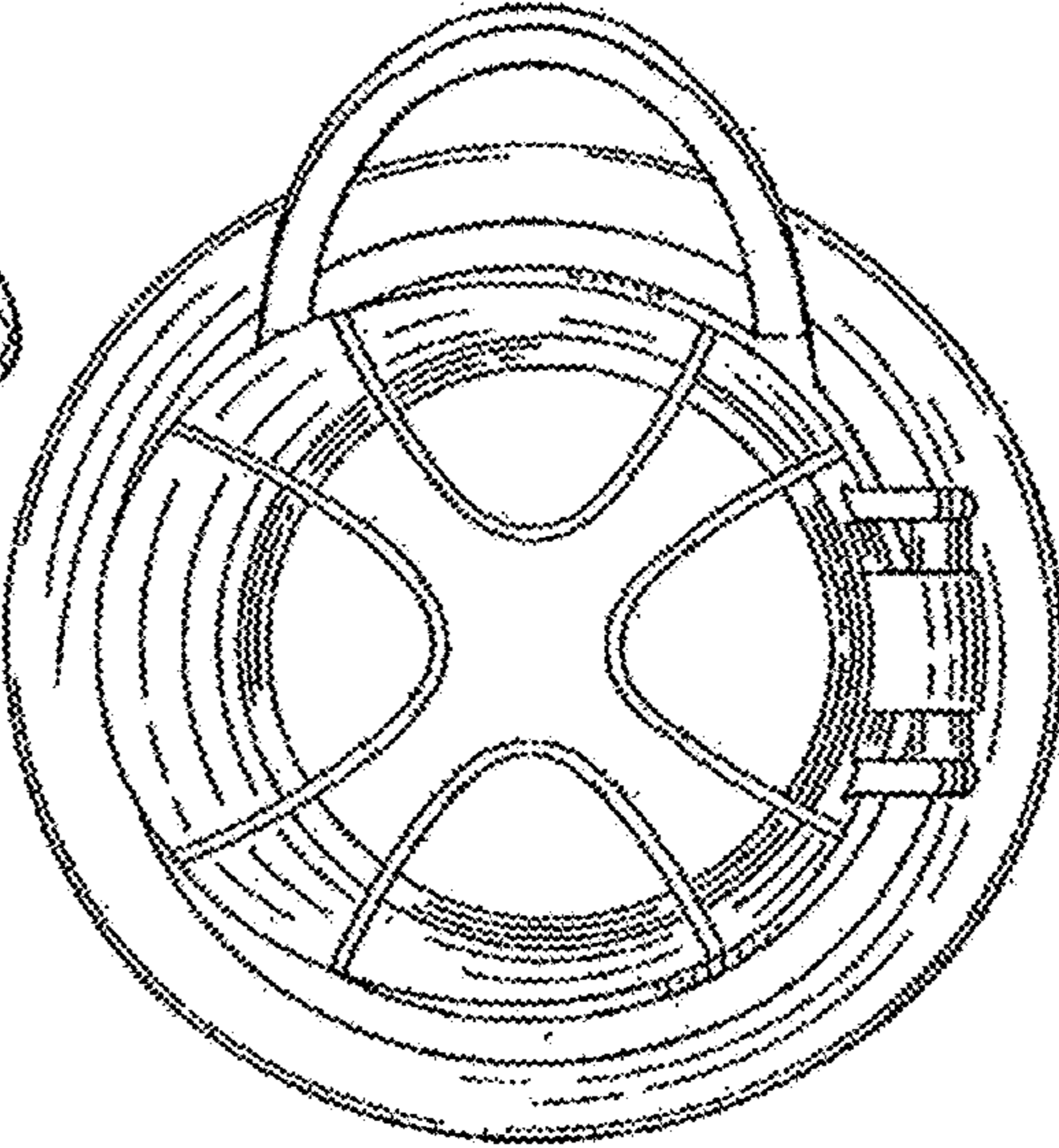


FIG. 3

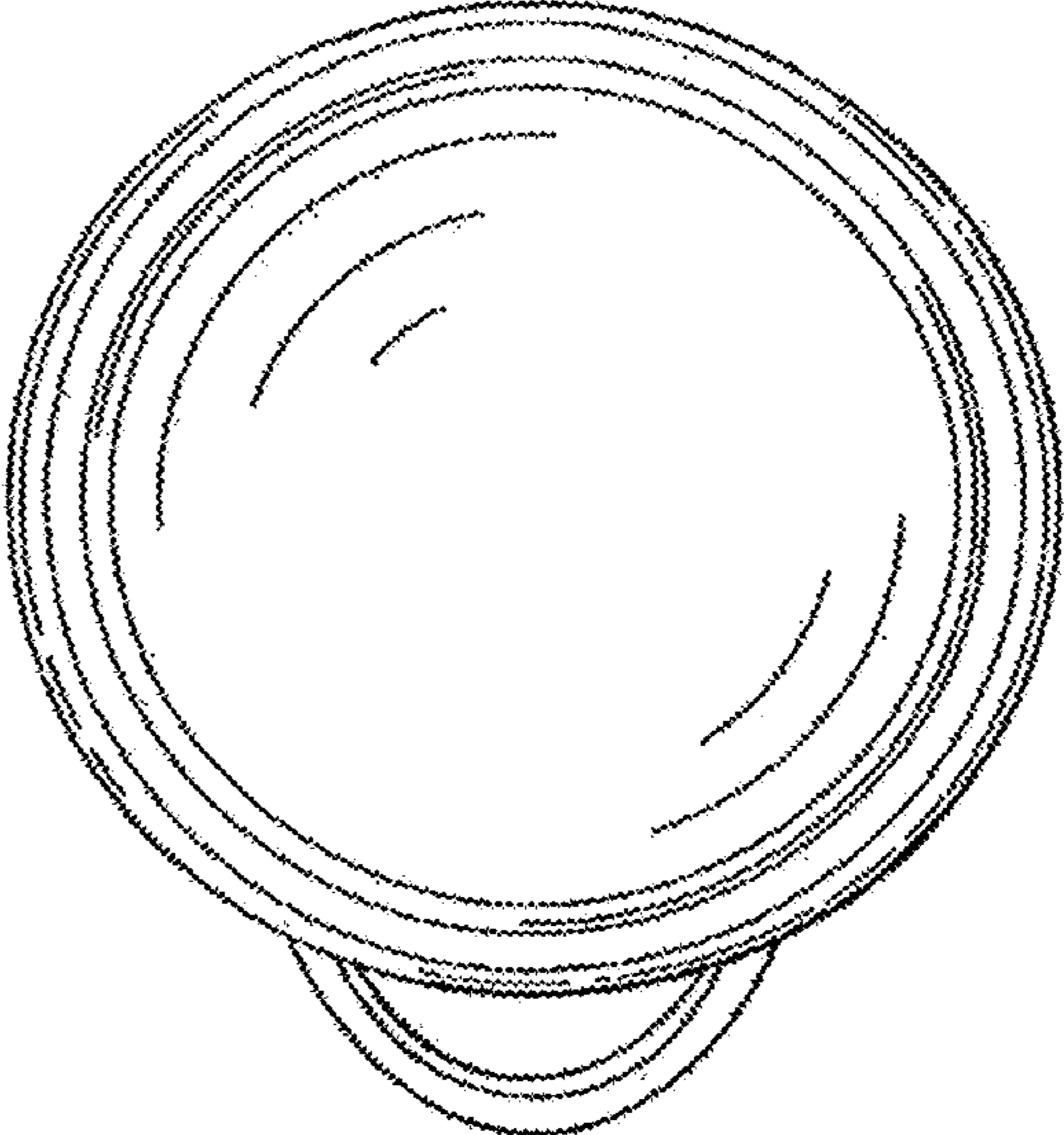


FIG. 4

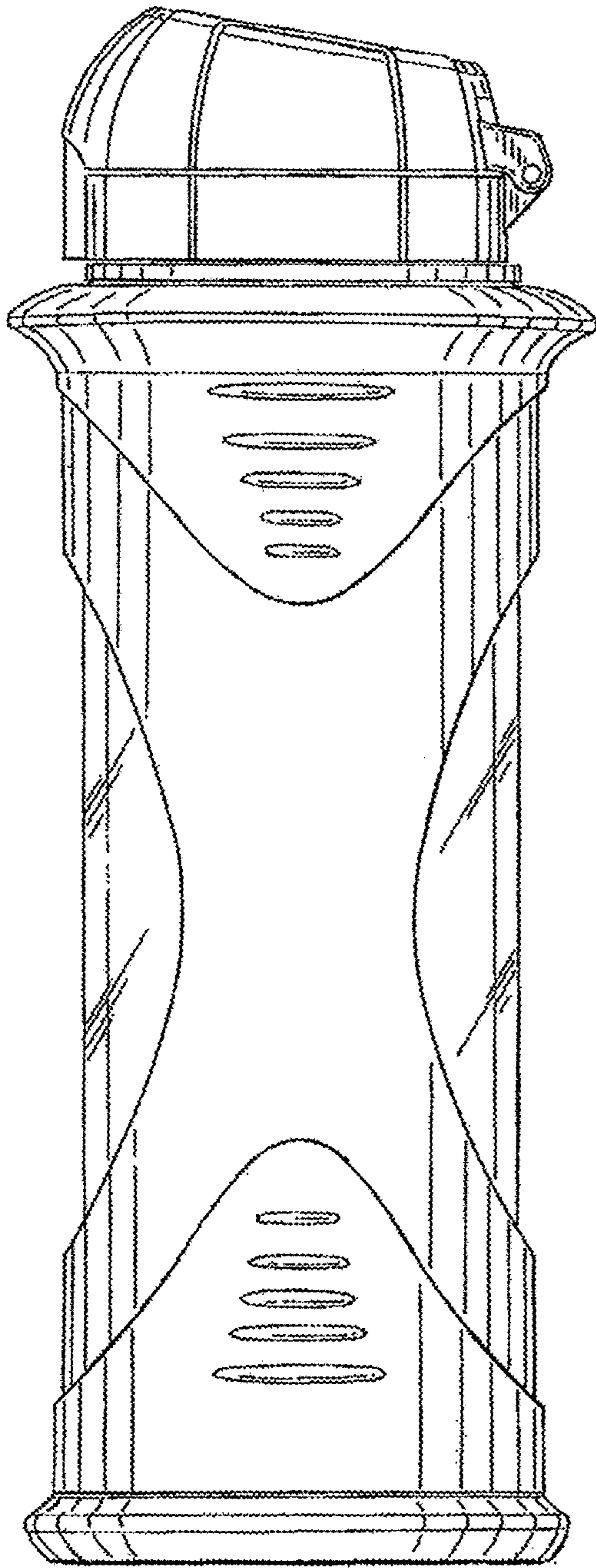


FIG. 5

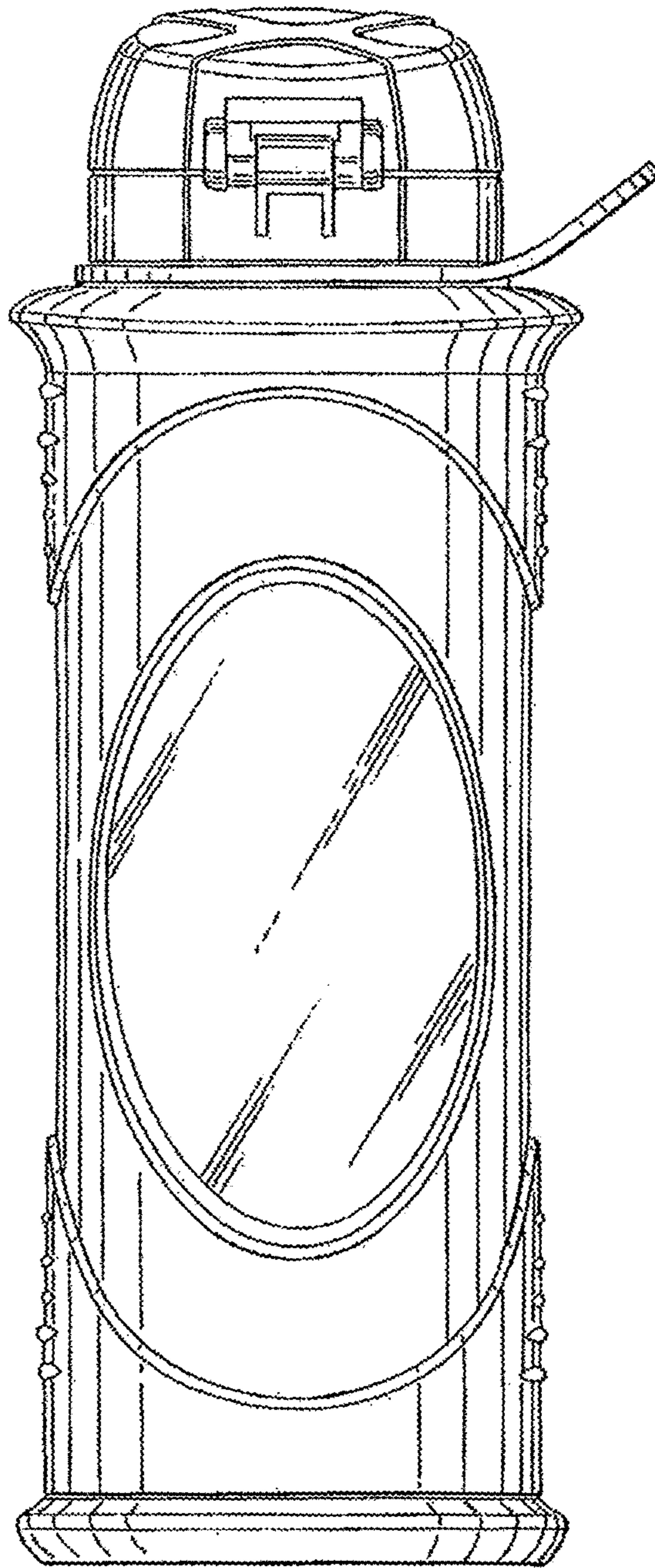


FIG. 6

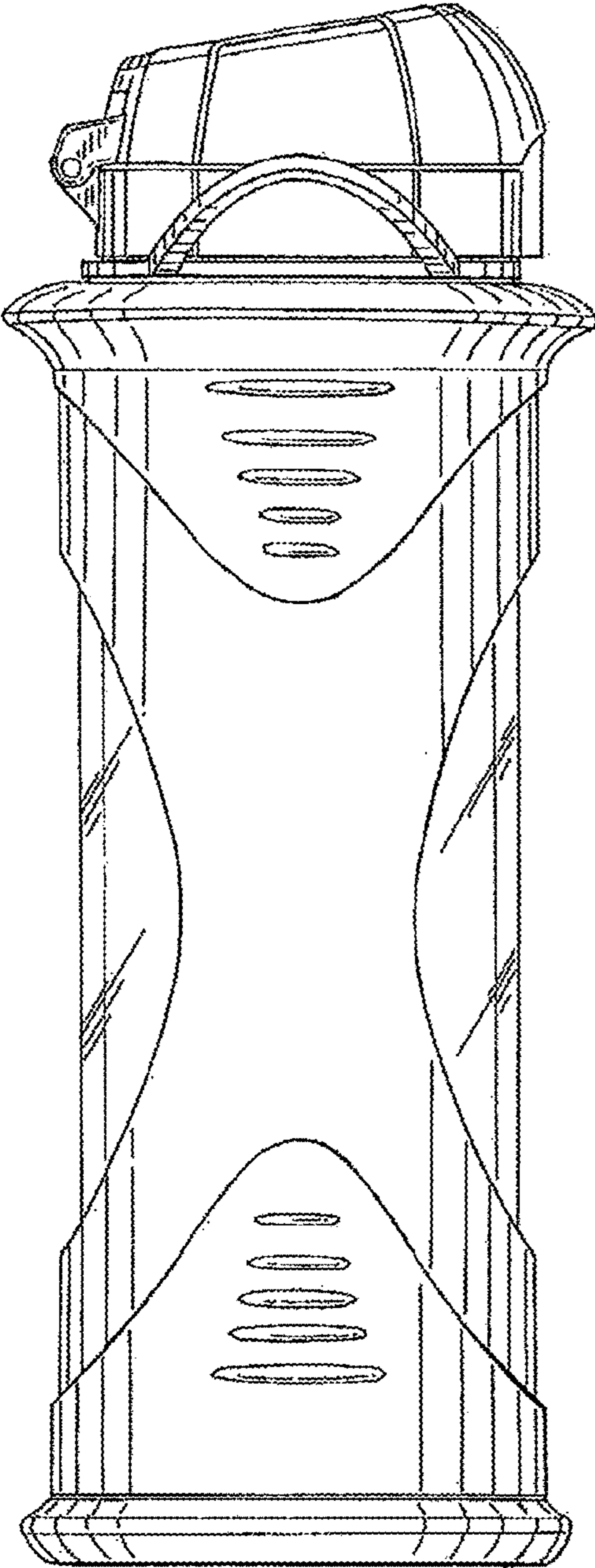


FIG. 7

