



US00D760539S

(12) **United States Design Patent**
Colston

(10) **Patent No.:** **US D760,539 S**
(45) **Date of Patent:** **** Jul. 5, 2016**

- (54) **GRILL SKIRT**
- (71) Applicant: **Traeger Pellet Grills, LLC**, Wilsonville, OR (US)
- (72) Inventor: **Michael Colston**, Wilsonville, OR (US)
- (73) Assignee: **Traeger Pellet Grills, LLC**, Salt Lake City, UT (US)
- (**) Term: **14 Years**
- (21) Appl. No.: **29/474,954**
- (22) Filed: **Mar. 11, 2015**
- (51) **LOC (10) Cl.** **07-02**
- (52) **U.S. Cl.**
USPC **D7/402**
- (58) **Field of Classification Search**
USPC D7/331-337, 402-409; 126/25 R, 38
CPC ... A47J 37/07-37/0713; A47J 37/06-37/0611;
A47J 2037/0777; A47J 37/0786; A23B 4/052;
A23B 5/044
See application file for complete search history.

- D480,259 S * 10/2003 Pai D7/334
- 6,681,759 B2 * 1/2004 Bentulan A47J 37/0704
126/25 R
- D572,967 S * 7/2008 Thomas D7/337
- D580,221 S * 11/2008 McKenzie D7/402
- D636,217 S * 4/2011 Slater D7/334
- 8,381,712 B1 * 2/2013 Simms, II A47J 37/0713
126/2
- 2002/0005194 A1 * 1/2002 Trogolo A01N 25/34
126/25 R

* cited by examiner

Primary Examiner — Susan Bennett Hattan
Assistant Examiner — Brett Miller
(74) *Attorney, Agent, or Firm* — Workman Nydegger

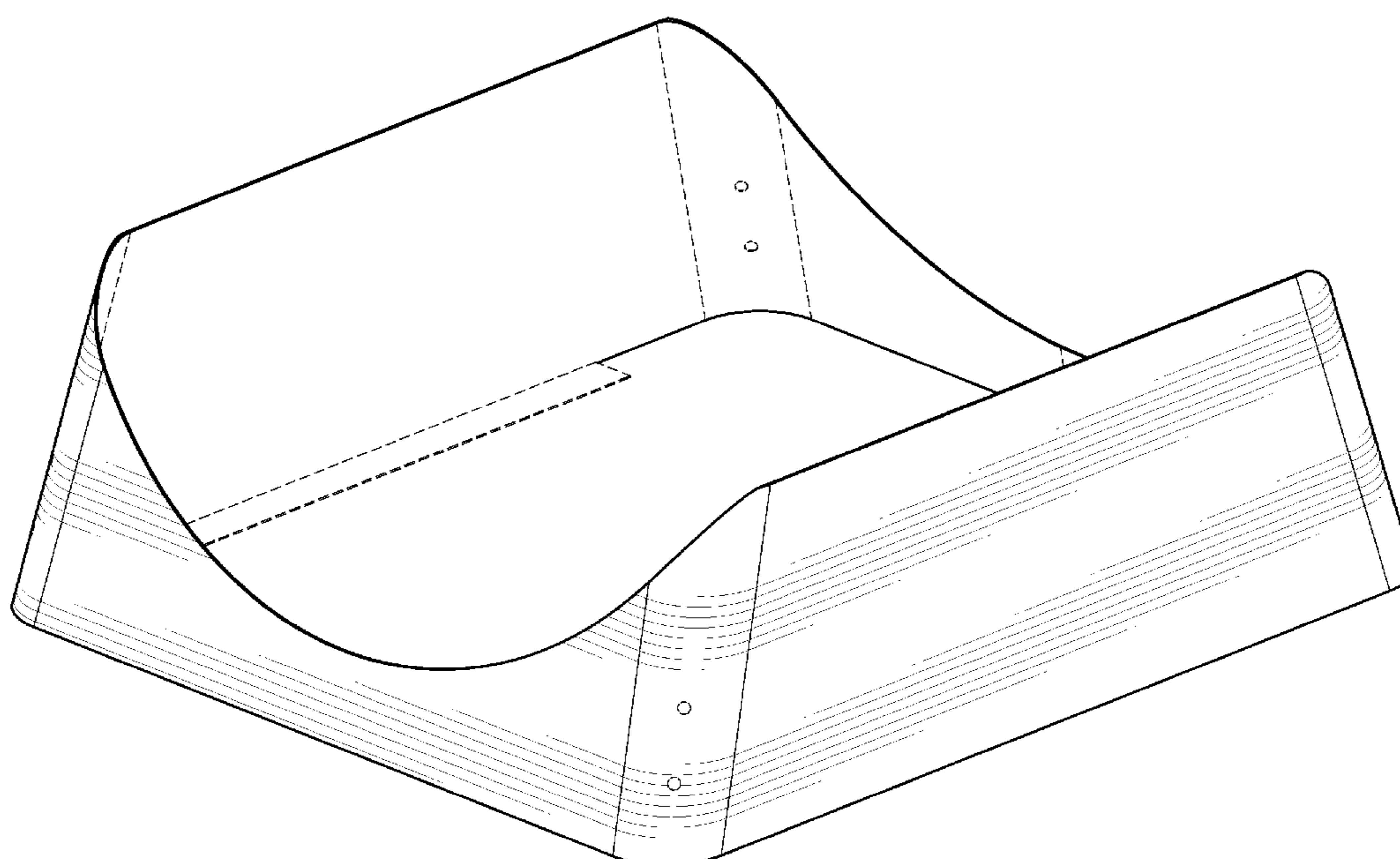
(57) **CLAIM**
The ornamental design for a grill skirt, as shown and described.

DESCRIPTION

FIG. 1 is a perspective view of a grill skirt as used with a grill; FIG. 2 is a perspective view thereof; FIG. 3 is a front elevational view thereof, the back elevational view being a mirror image thereof; FIG. 4 is a left elevational view thereof; FIG. 5 is a right elevational view thereof; FIG. 6 is a top plan view thereof; and, FIG. 7 is a bottom plan thereof. The broken lines shown in the drawings are for illustrative purposes and illustrate portions of the grill skirt that form no part of the claimed design.

1 Claim, 6 Drawing Sheets

- (56) **References Cited**
U.S. PATENT DOCUMENTS
- 5,323,758 A * 6/1994 Minshall A47J 37/0786
126/25 R
- 6,138,553 A * 10/2000 Toeppen A47J 37/042
126/25 AA
- D456,501 S * 4/2002 Chen D23/343
- 6,557,545 B2 * 5/2003 Williams A47J 37/0704
126/25 R
- D478,464 S * 8/2003 Pai D7/334



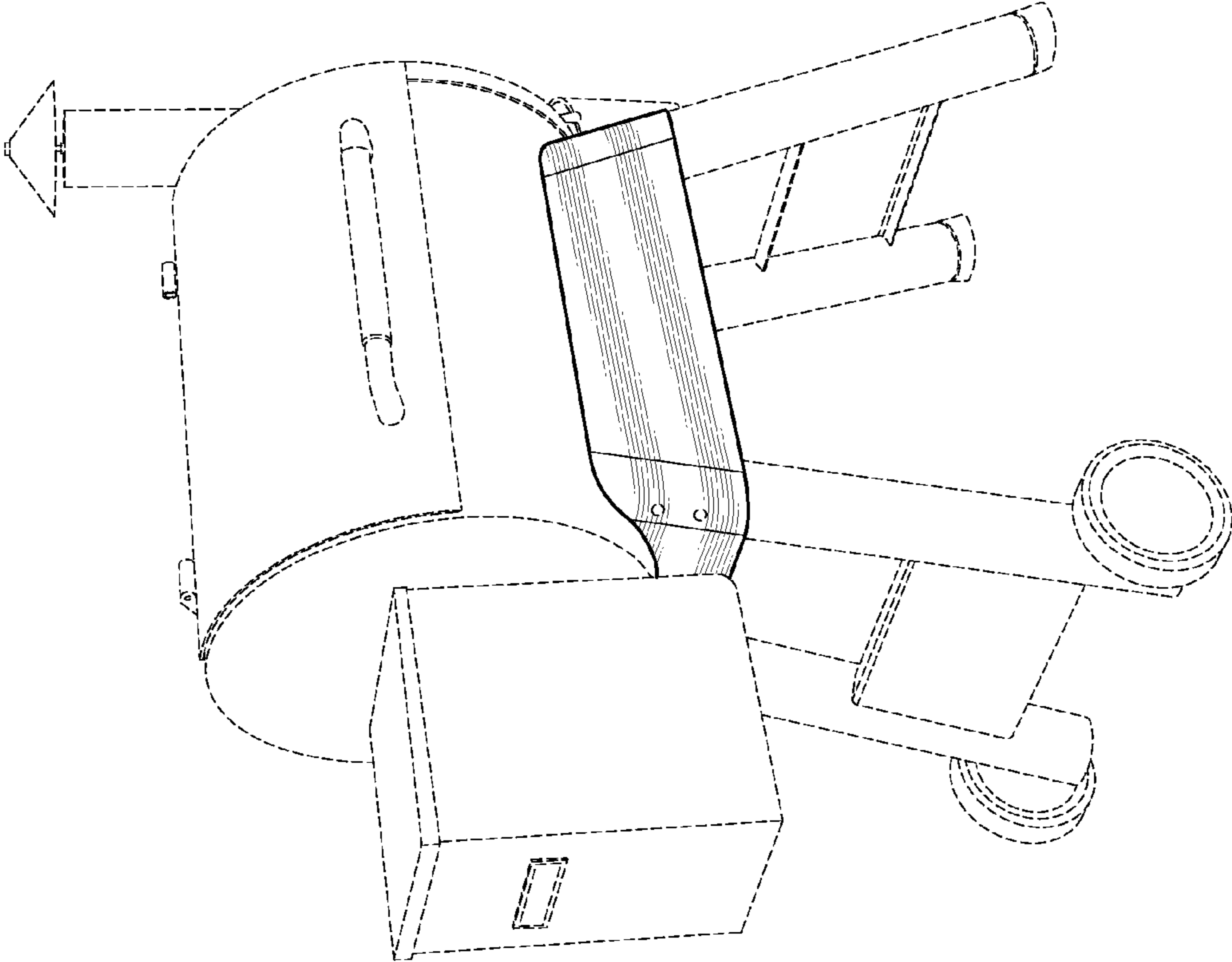


Fig. 1

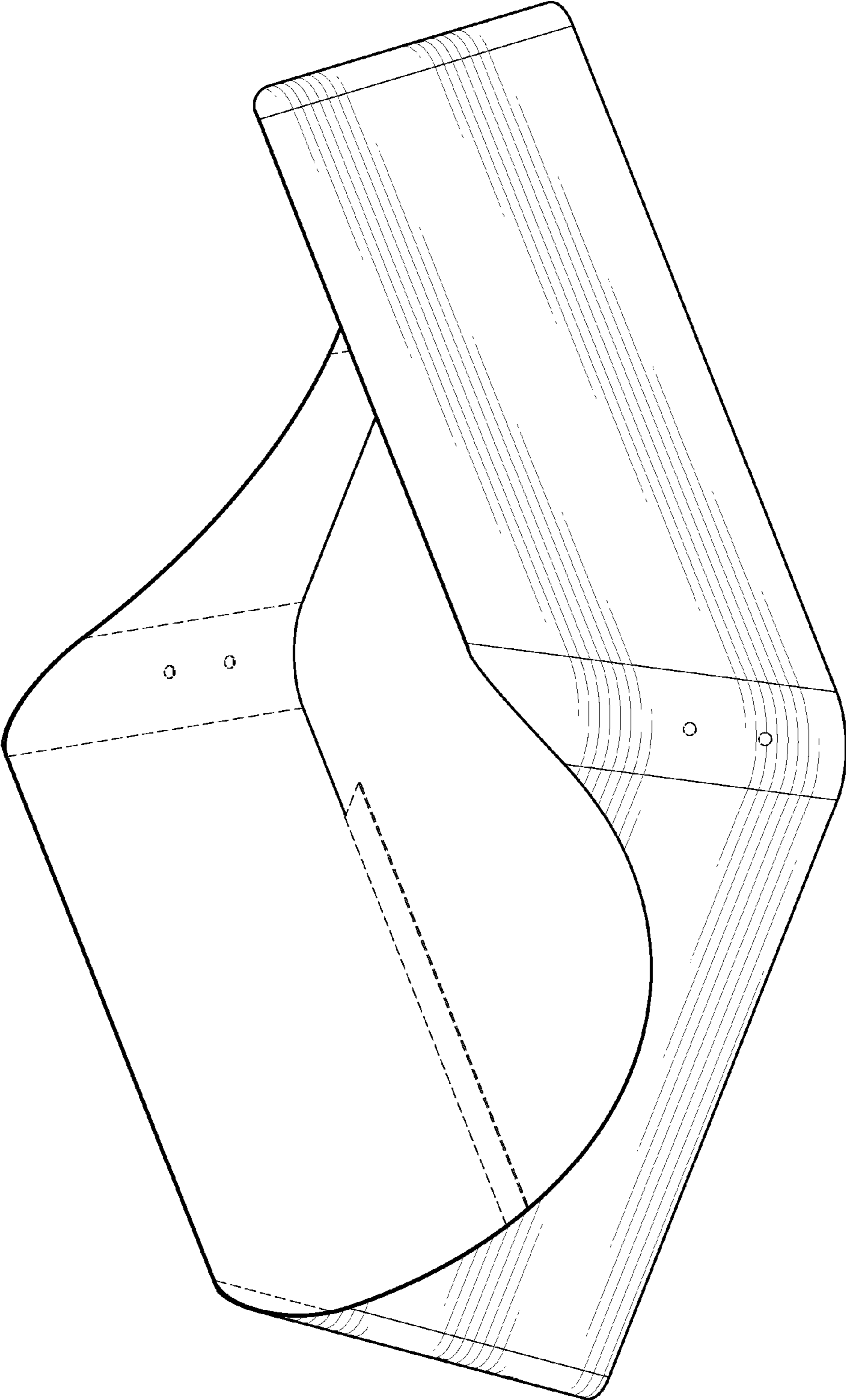


Fig. 2

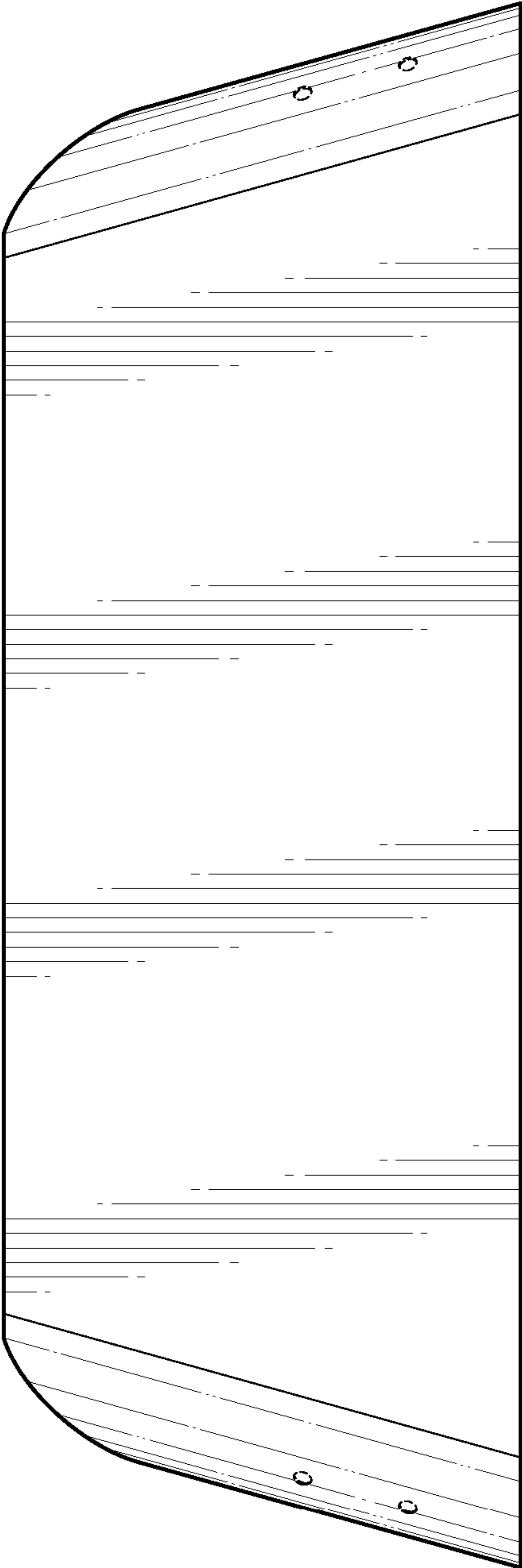


Fig. 3

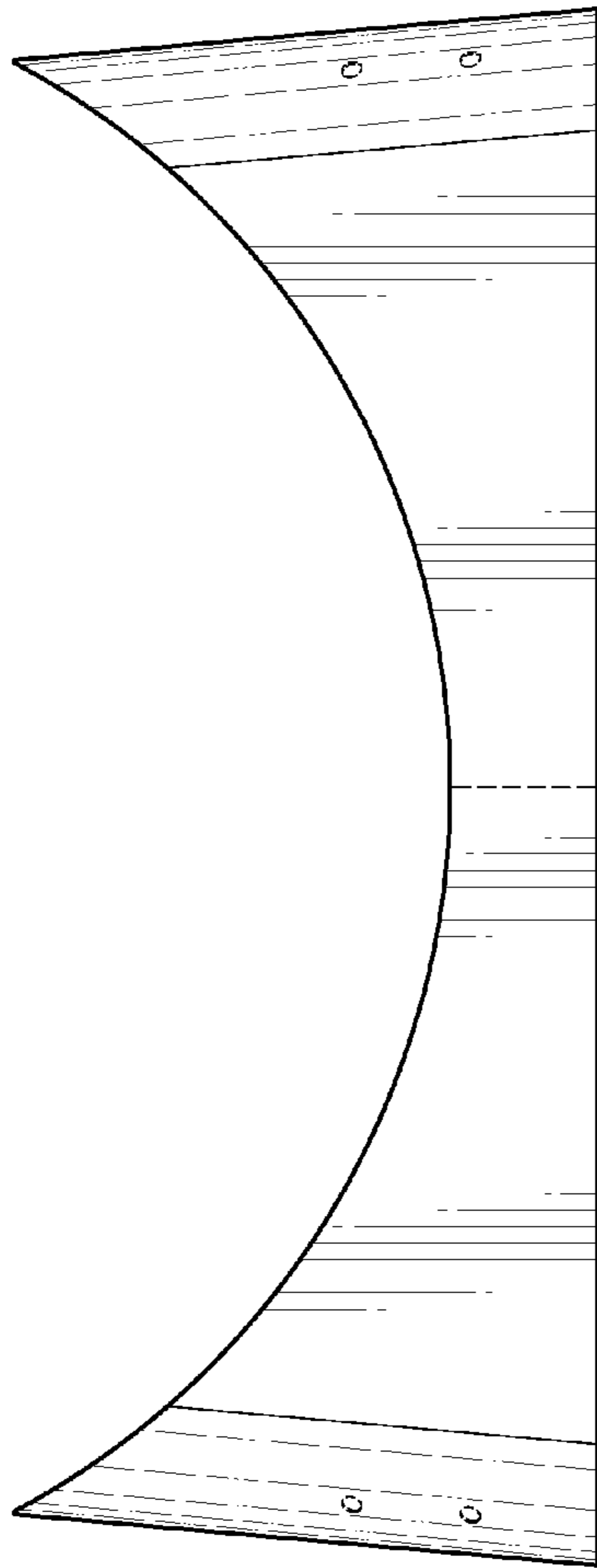


Fig. 4

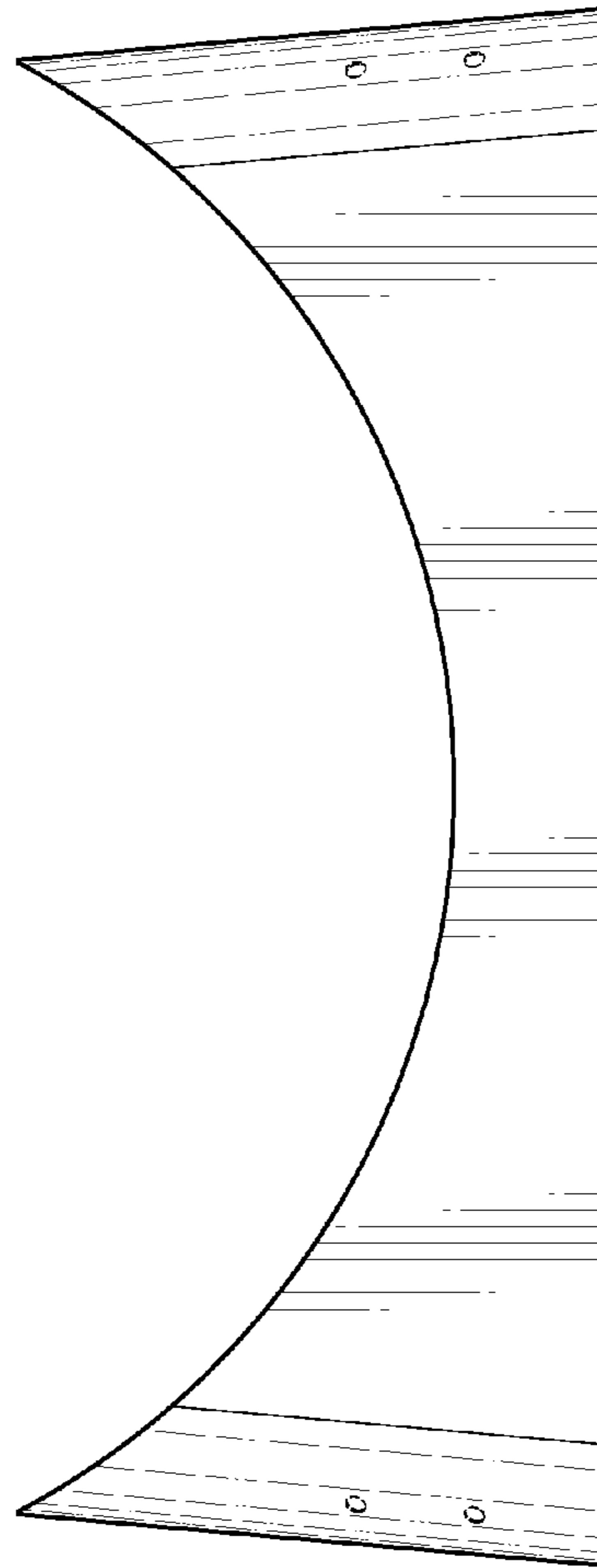


Fig. 5

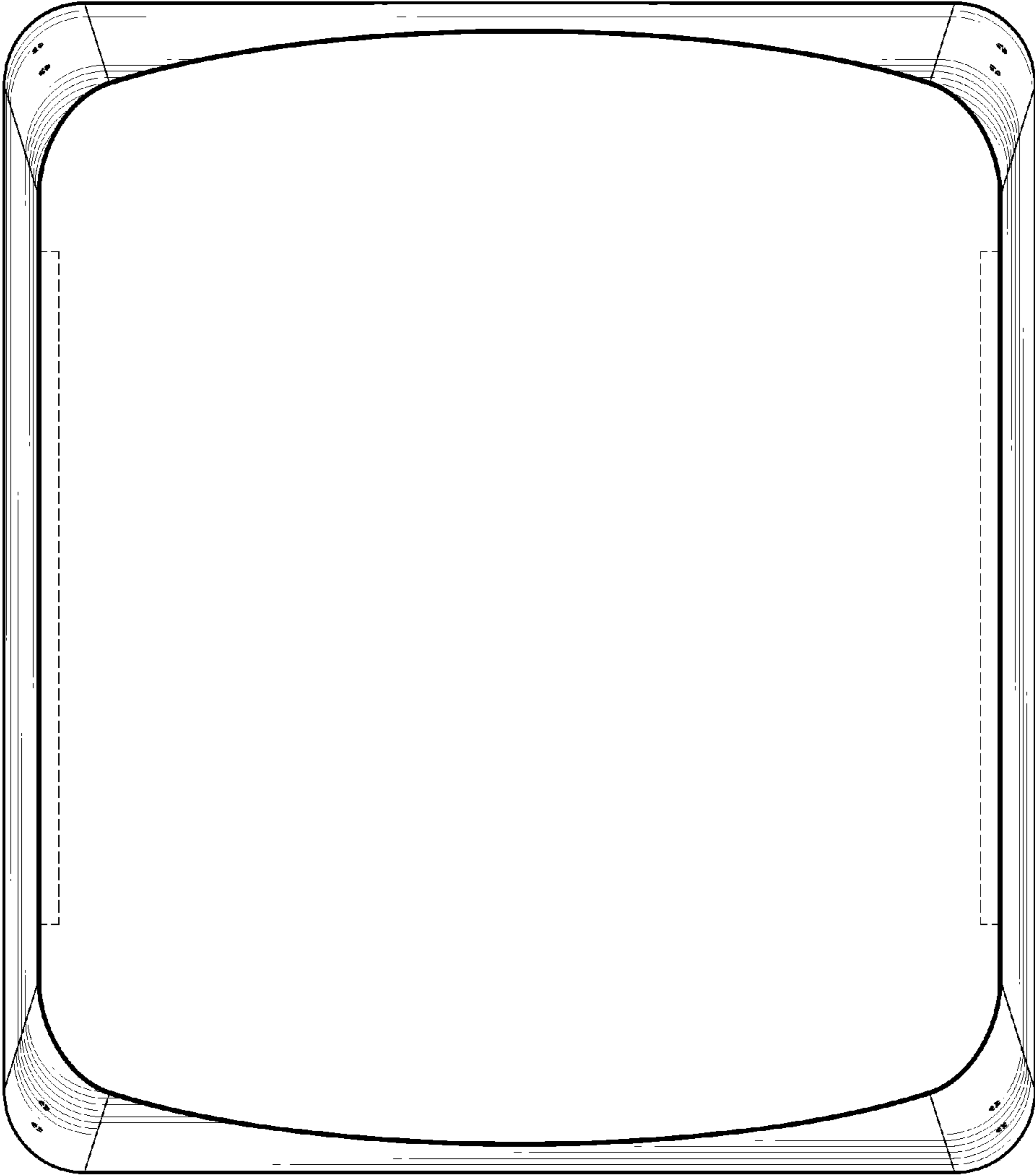


Fig. 6

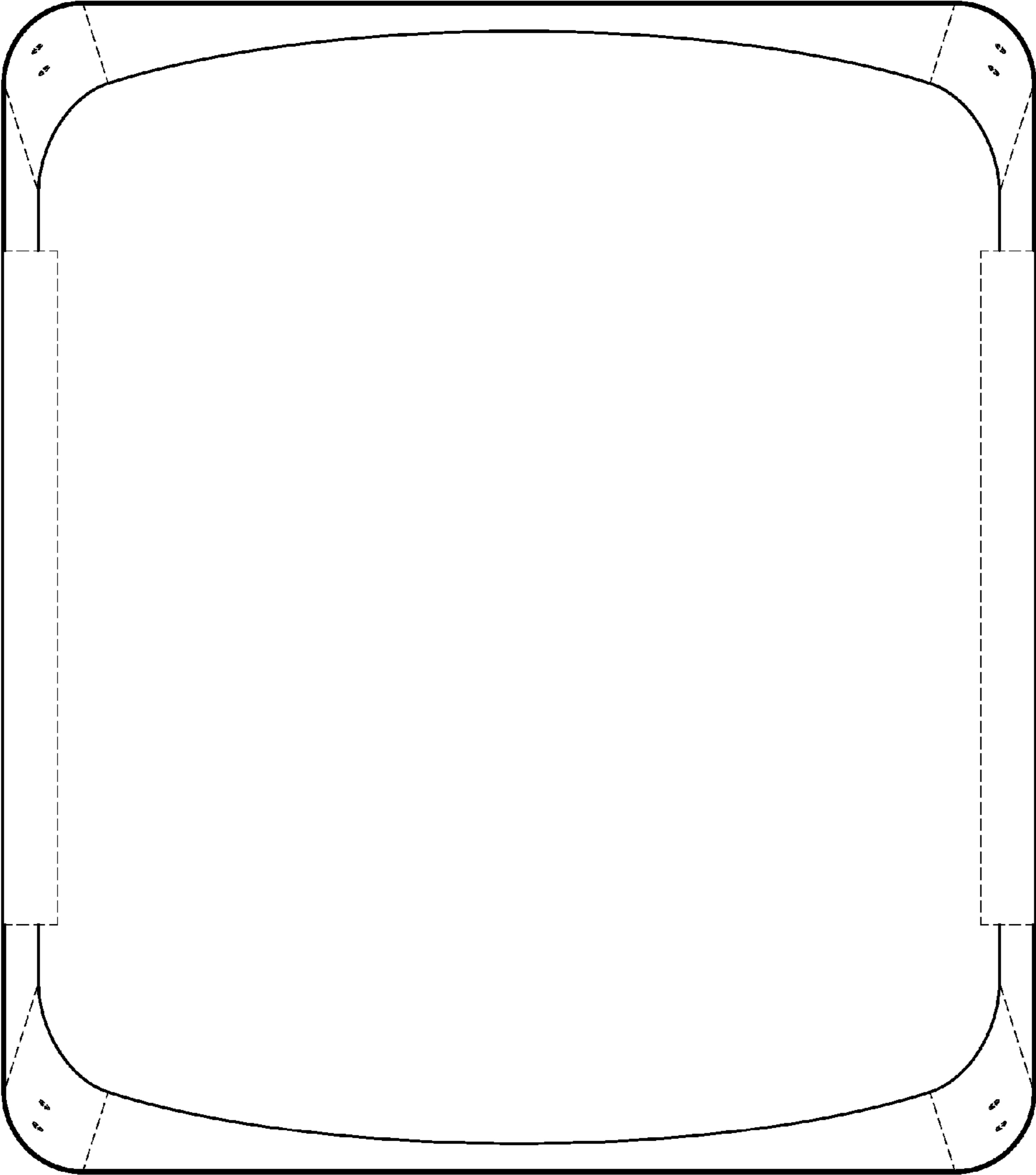


Fig. 7