

US00D760538S

(12) **United States Design Patent**
Dodd

(10) **Patent No.:** **US D760,538 S**
(45) **Date of Patent:** **** Jul. 5, 2016**

(54) **CUTLERY HANDLE**

(71) Applicant: **PHELPS INNOVATIONS LTD.**,
Minchinhampton, Stroud (GB)

(72) Inventor: **Catherine Dodd**, Minchinhampton (GB)

(73) Assignee: **PHELPS INNOVATIONS LTD.**,
Minchinhampton, Stroud (GB)

(**) Term: **14 Years**

(21) Appl. No.: **29/520,912**

(22) Filed: **Mar. 18, 2015**

(51) **LOC (10) Cl.** **07-02**

(52) **U.S. Cl.**
USPC **D7/401.2; D7/642; D7/645; D7/653**

(58) **Field of Classification Search**
USPC D4/138; D7/368, 401.2, 642-645,
D7/653-664, 669, 675-677, 683, 688-689,
D7/691; D8/25, 107, 300-301; D21/483;
D22/117-118
CPC A01D 9/02; A01D 9/04; A01D 9/06;
A47G 21/00; A47G 21/004; A47G 21/005;
A47G 21/02; A47G 21/023; A47G 21/04;
A47G 21/06; A47G 21/08; A47J 43/28;
A47J 43/281; A47J 43/282; A61F 13/10;
A61J 7/0023; B25G 1/00; B25G 1/01; B25G
1/02; B25G 3/00; B65D 75/56; B65D 75/563;
B65D 75/566; B67B 7/00; B67B 7/724;
B67B 7/73

See application file for complete search history.

(56) **References Cited**

U.S. PATENT DOCUMENTS

4,589,204 A * 5/1986 Vogel A47G 21/02
16/429
D291,710 S * 9/1987 Mariol D21/483
6,199,285 B1 * 3/2001 Sheehan A47G 21/02
16/483

D461,997 S * 8/2002 Jalet D7/645
D521,249 S * 5/2006 Hay D4/138
D554,951 S * 11/2007 McGrath D7/653
D562,084 S * 2/2008 McGrath D7/653
D572,548 S * 7/2008 Chen D8/25
D614,922 S * 5/2010 Sierra D7/653
D615,367 S * 5/2010 Sierra D7/653
D657,621 S * 4/2012 Pookrum D7/401.2
D676,718 S * 2/2013 Rockwell D7/642
D682,613 S * 5/2013 De Leo D7/401.2

* cited by examiner

Primary Examiner — Ricky Pham

(74) *Attorney, Agent, or Firm* — Drinker Biddle & Reath
LLP

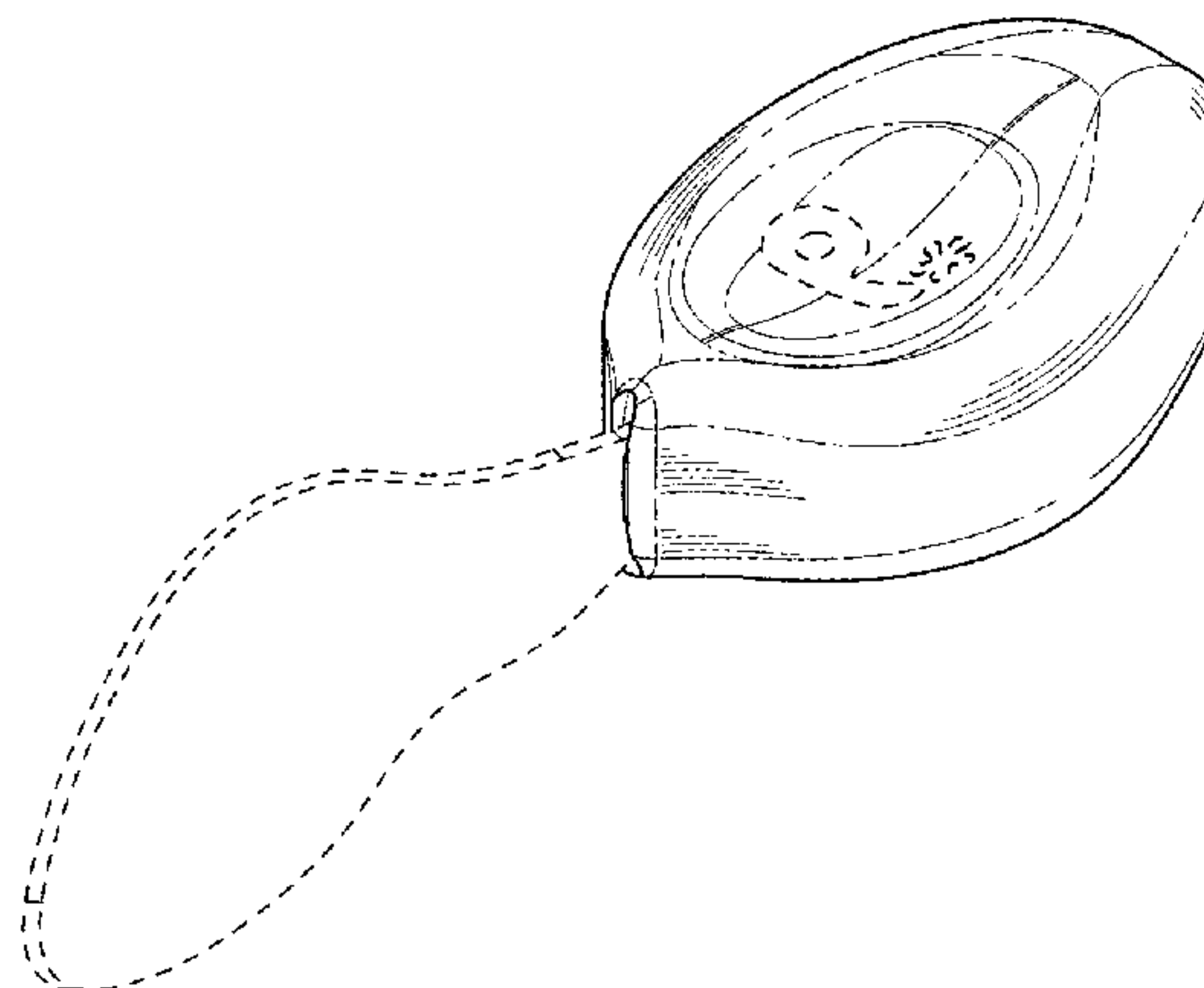
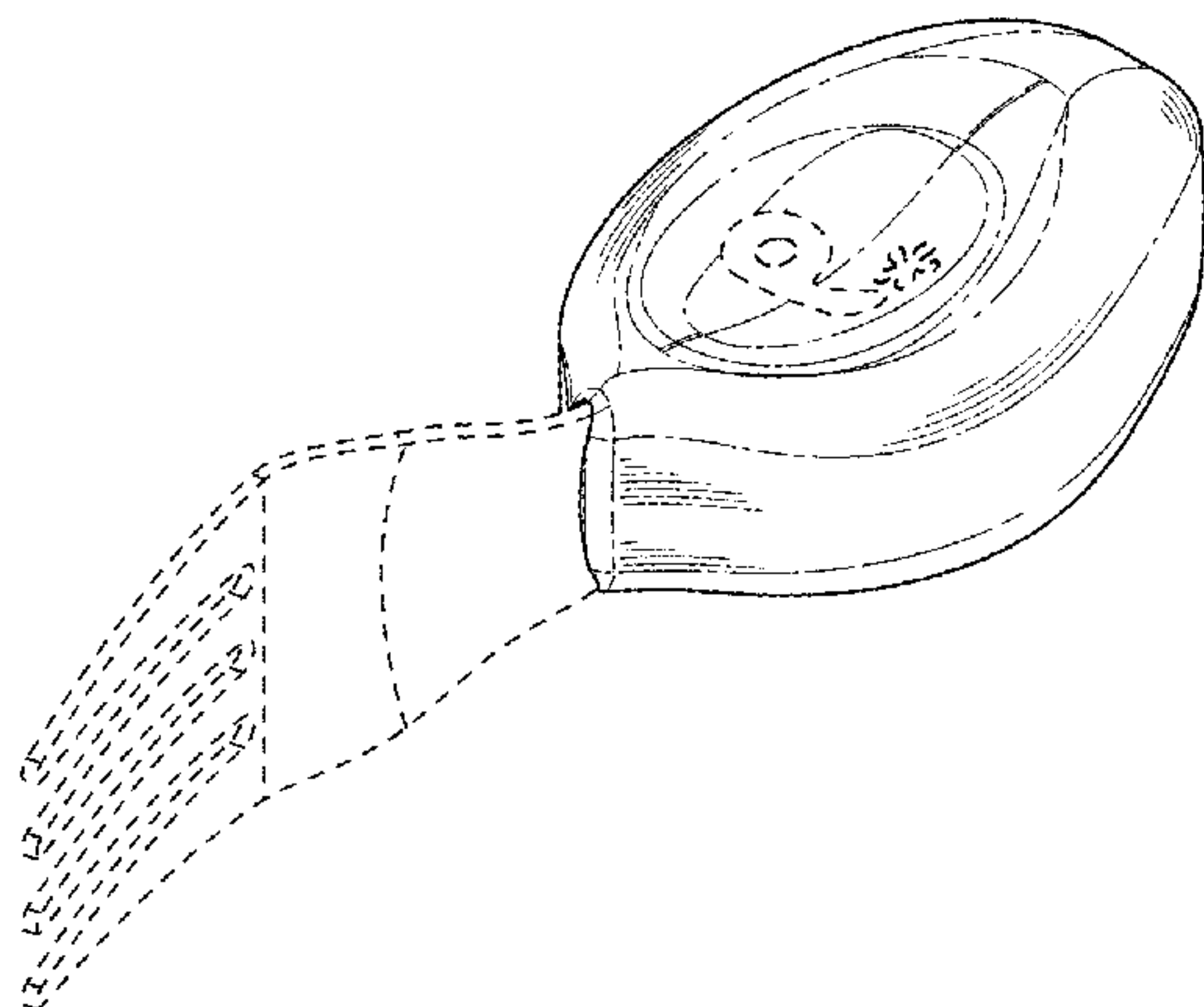
(57) **CLAIM**

The ornamental design for a cutlery handle, as shown and
described.

DESCRIPTION

FIG. 1 is a perspective view depicting an embodiment of the
new design for cutlery handle;
FIG. 2 is a right side view thereof;
FIG. 3 is a left side view thereof;
FIG. 4 is a bottom view thereof;
FIG. 5 is a top view thereof;
FIG. 6 is a rear view thereof;
FIG. 7 is a front view thereof;
FIG. 8 is a perspective view depicting another embodiment of
the new design for cutlery;
FIG. 9 is a right side view thereof;
FIG. 10 is a left side view thereof;
FIG. 11 is a bottom view thereof;
FIG. 12 is a top view thereof;
FIG. 13 is a rear view thereof; and,
FIG. 14 is a front view thereof.
The broken lines illustrated in the drawing views is included
to show unclaimed environment only and forms no part of the
claimed design.

1 Claim, 6 Drawing Sheets



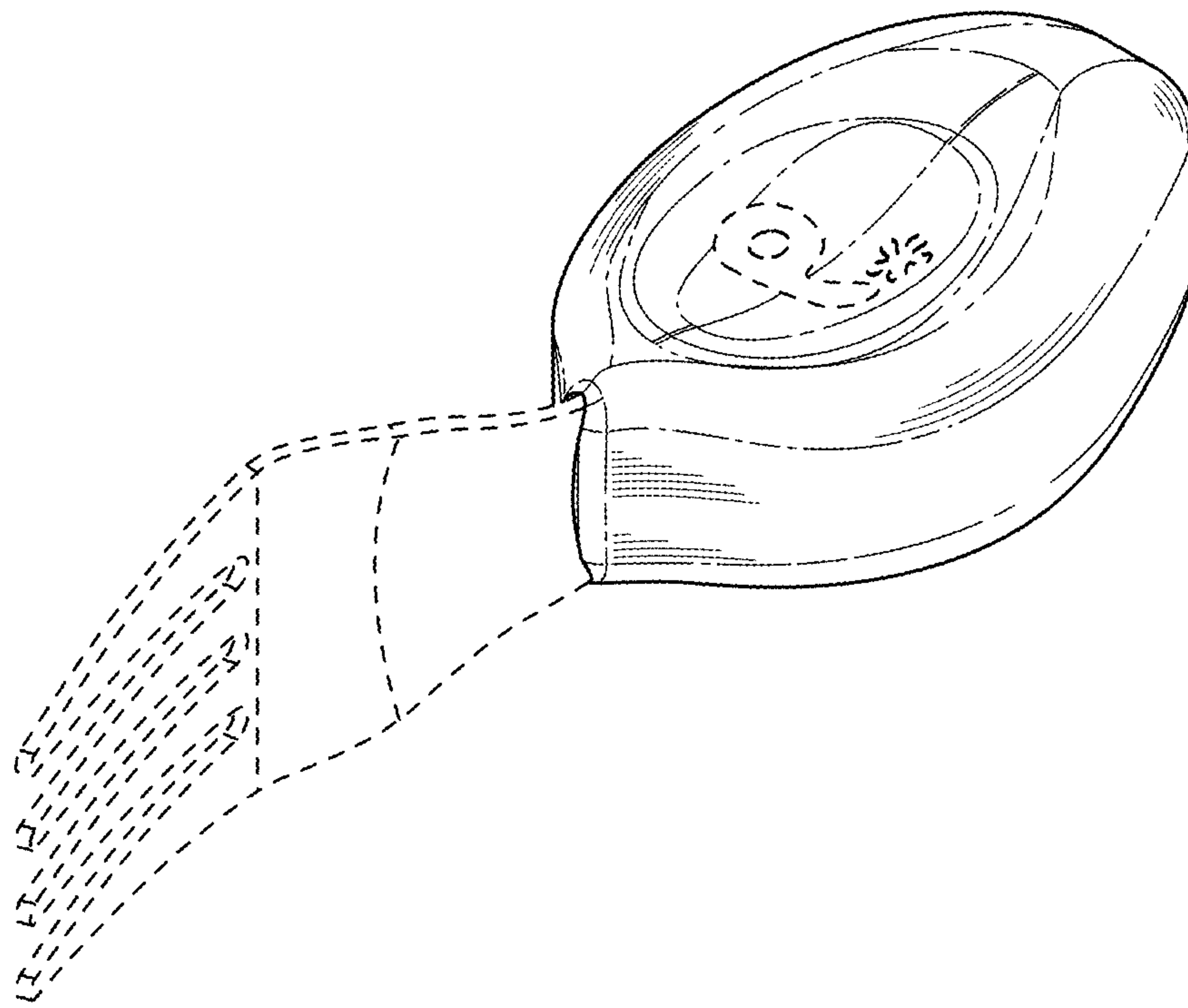


FIG. 1

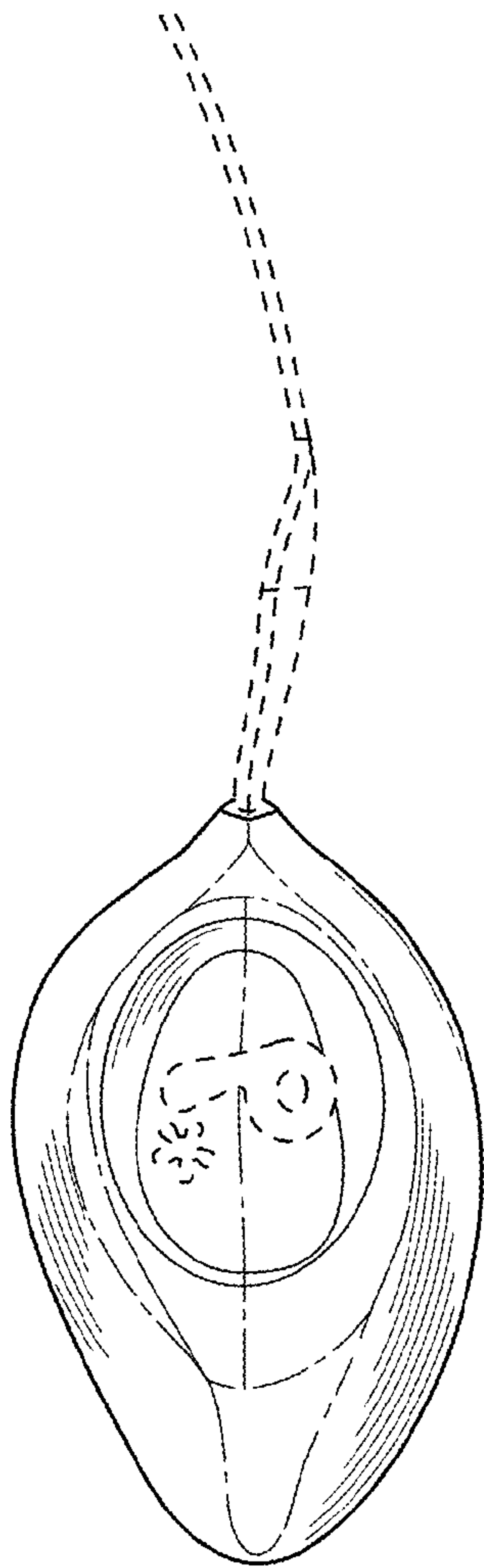


FIG. 2

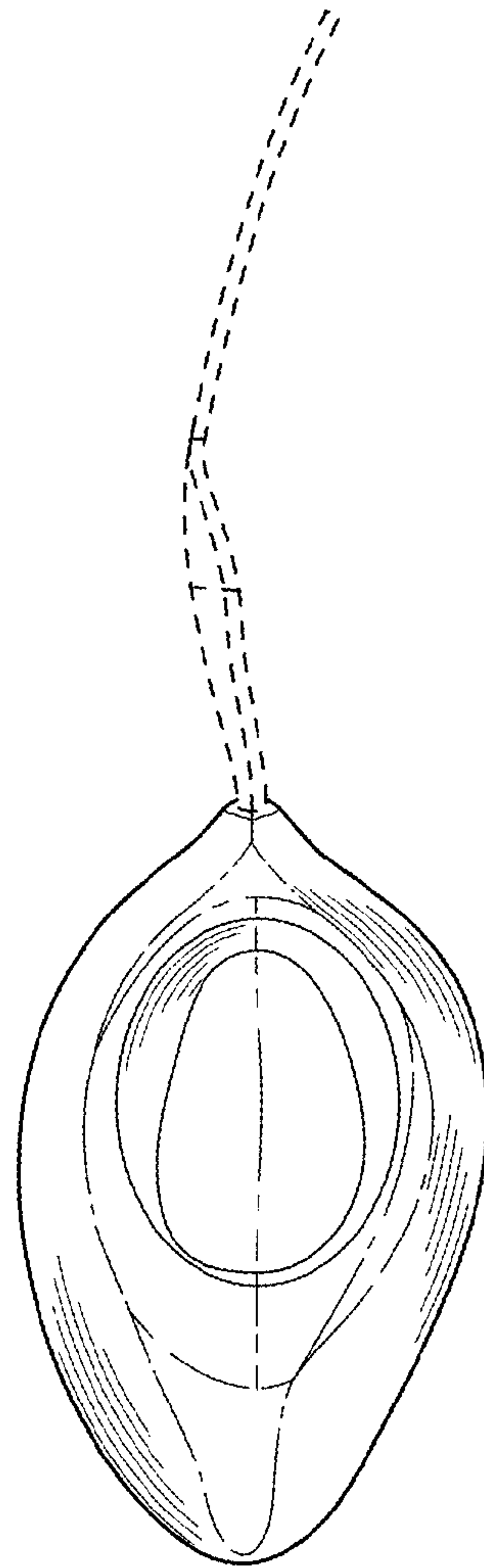


FIG. 3

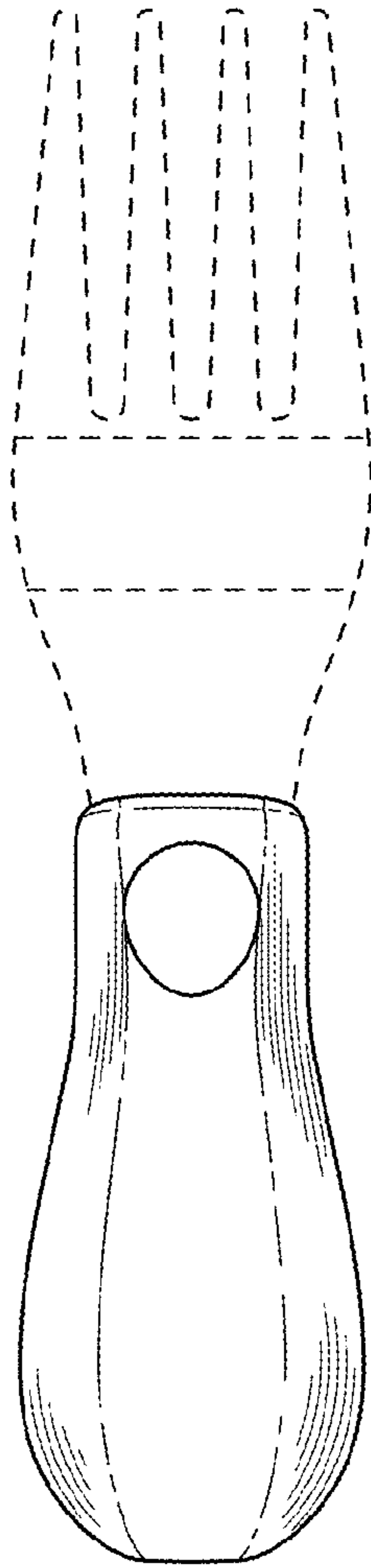


FIG. 4

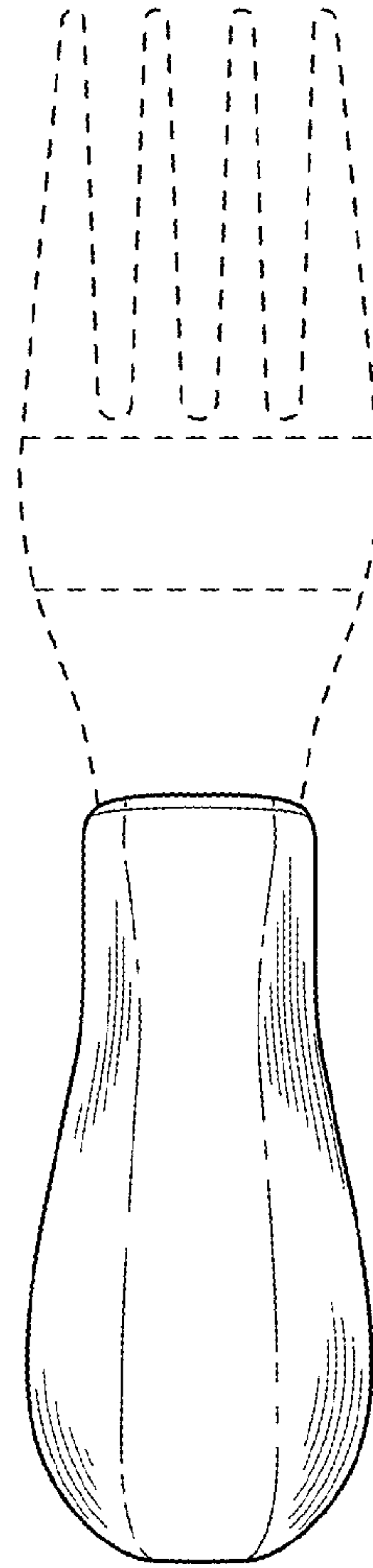


FIG. 5

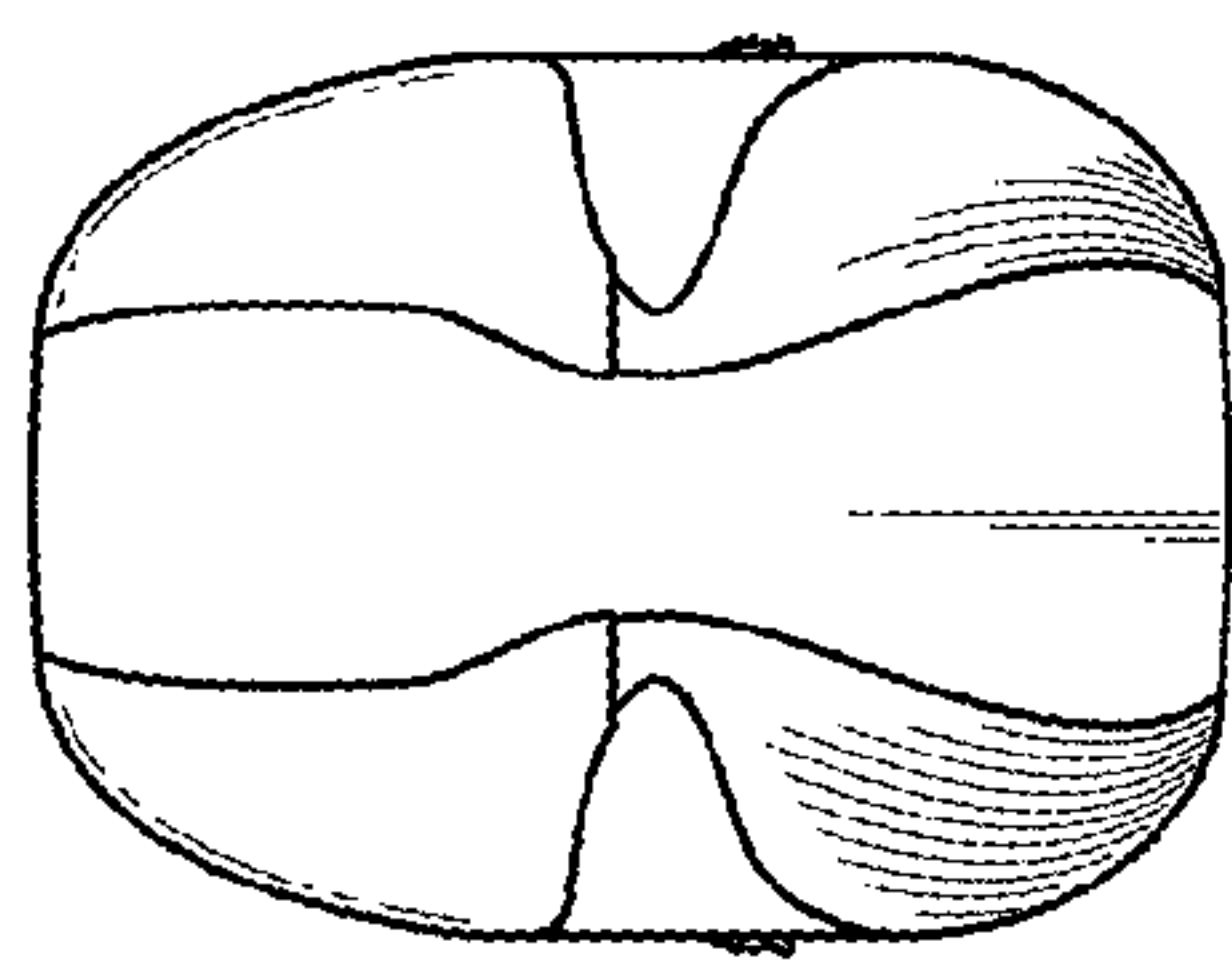


FIG. 6

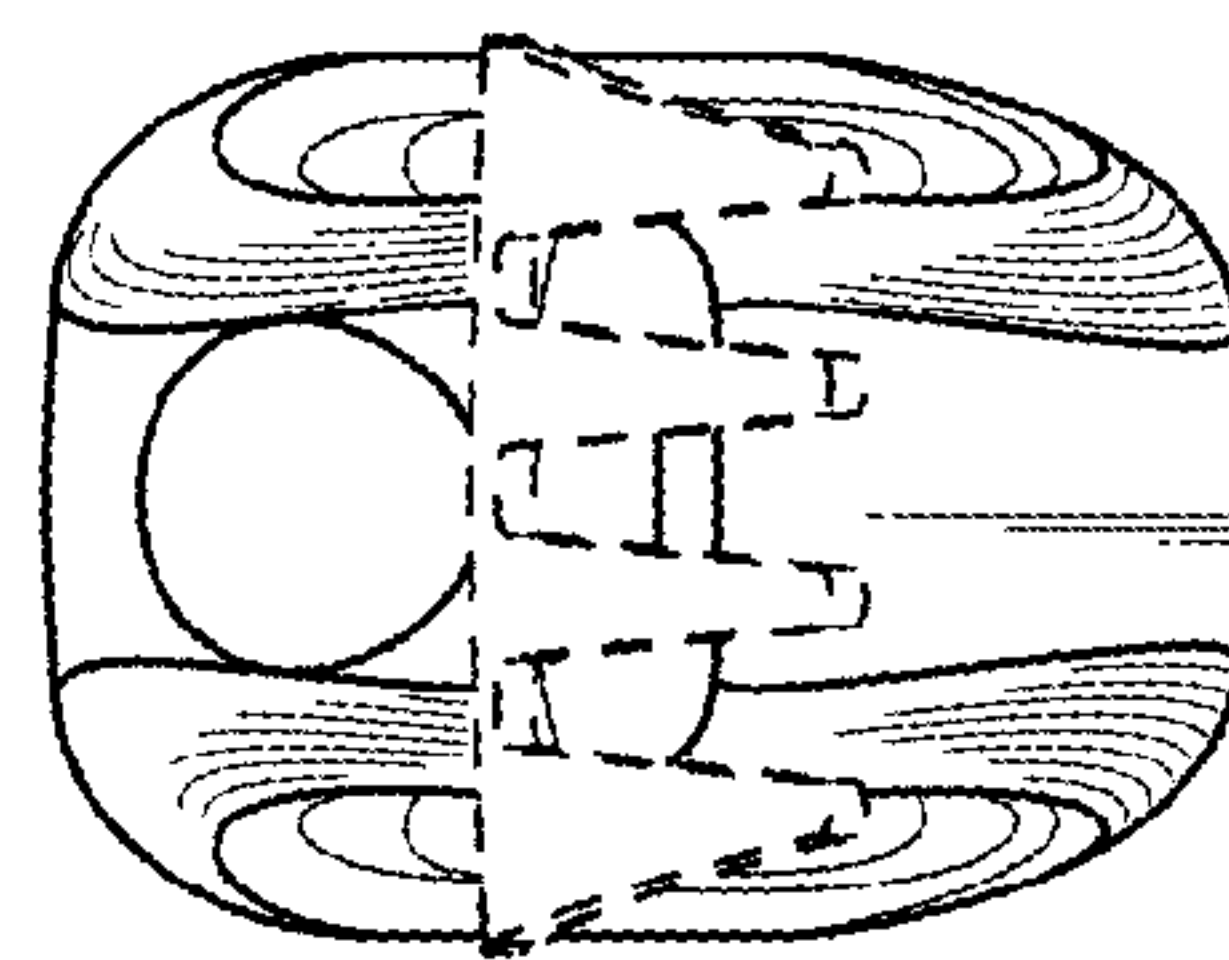


FIG. 7

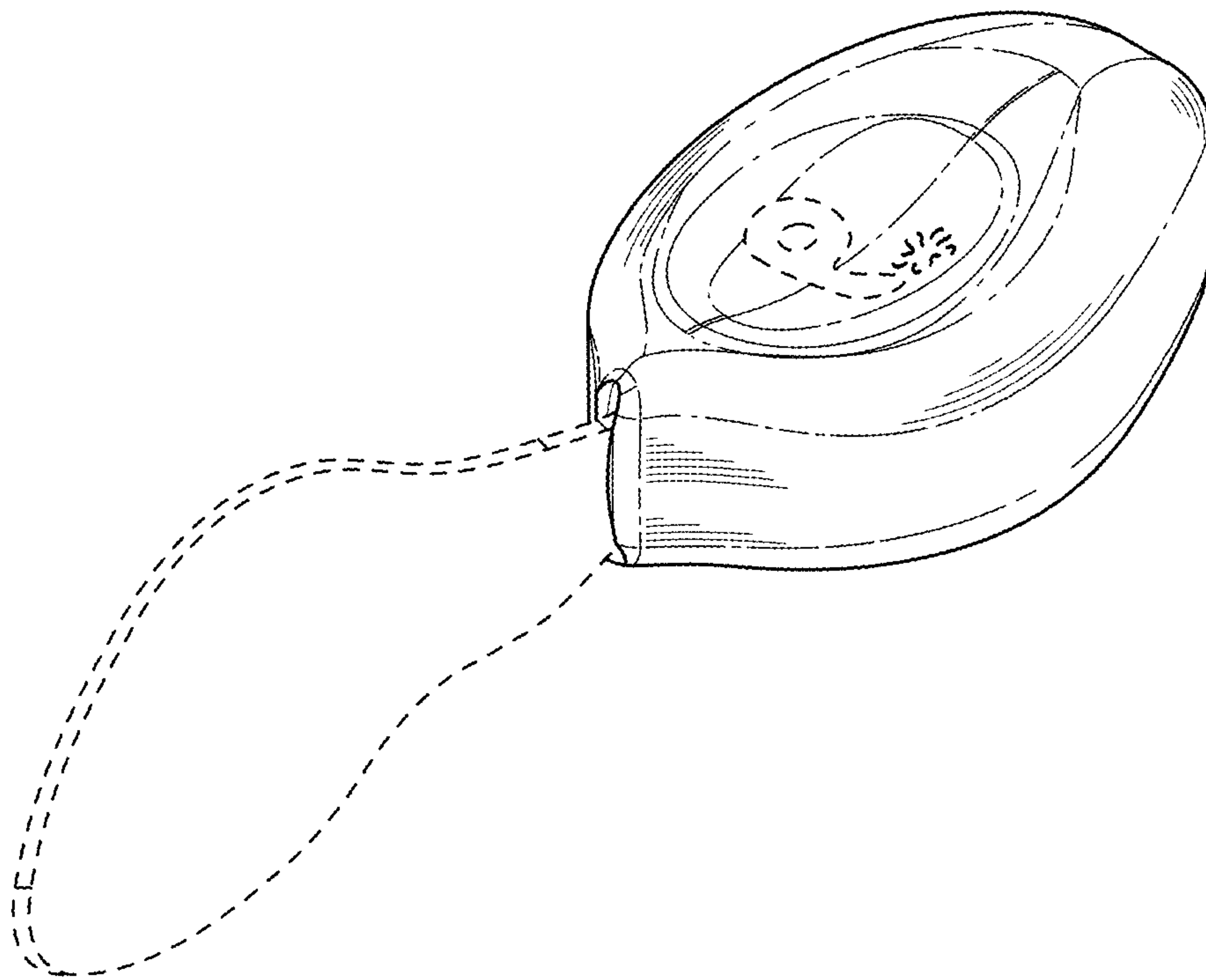


FIG. 8

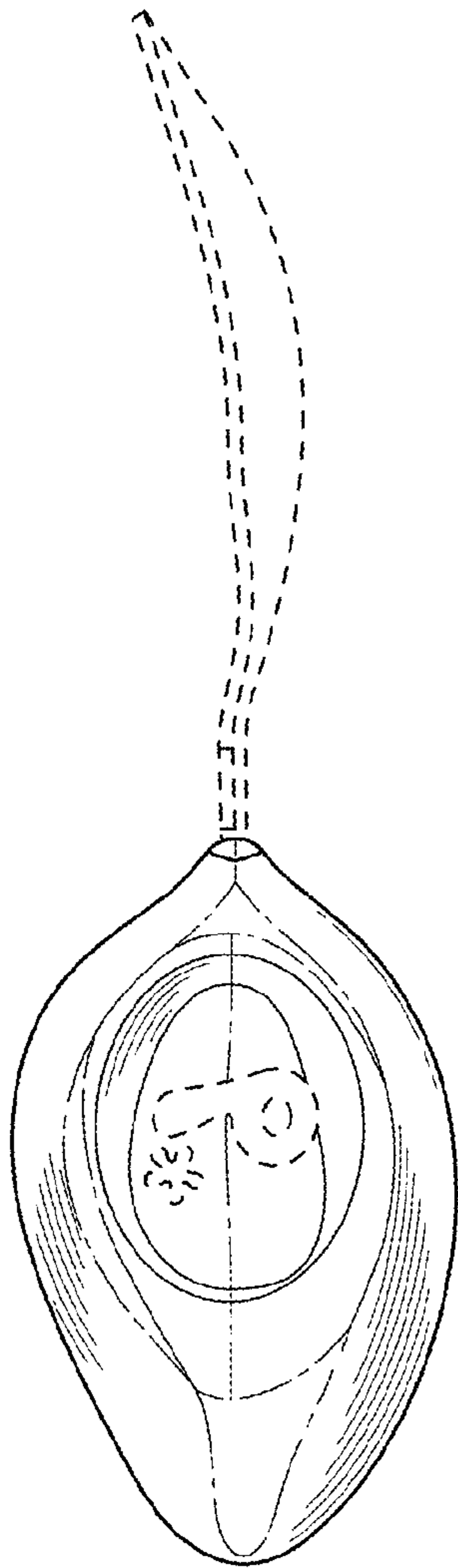


FIG. 9

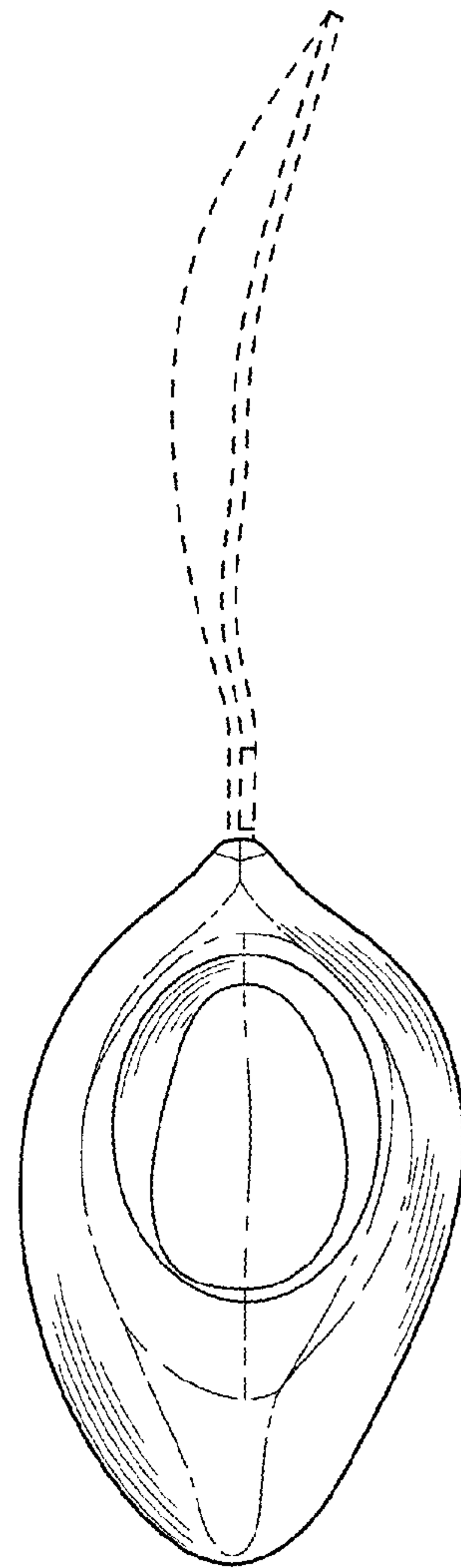


FIG. 10

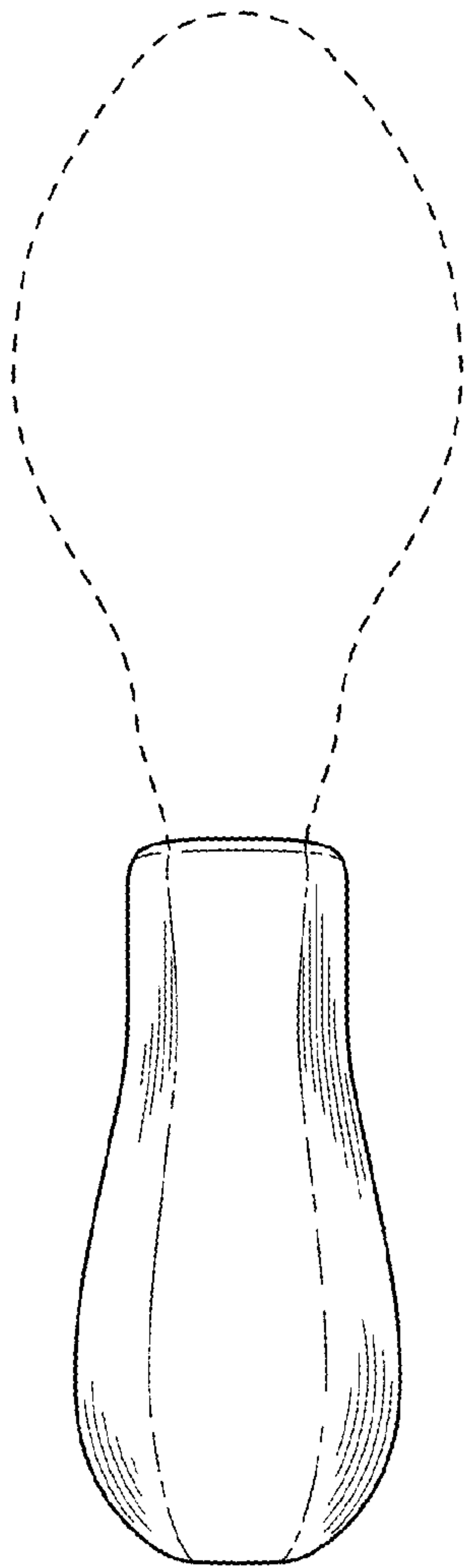


FIG. 11

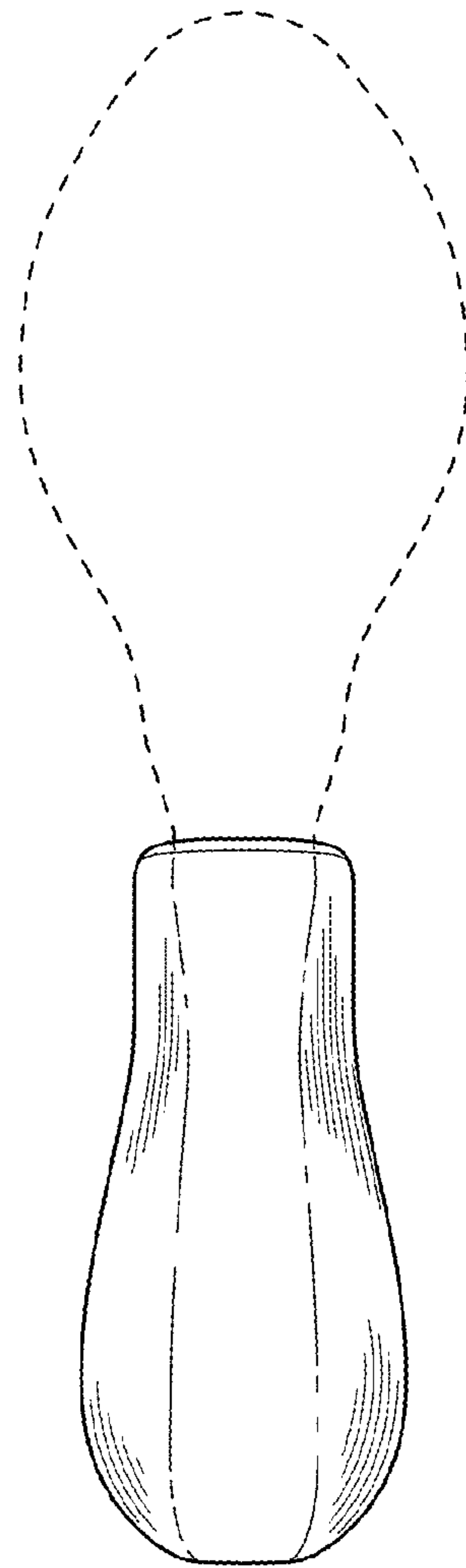


FIG. 12

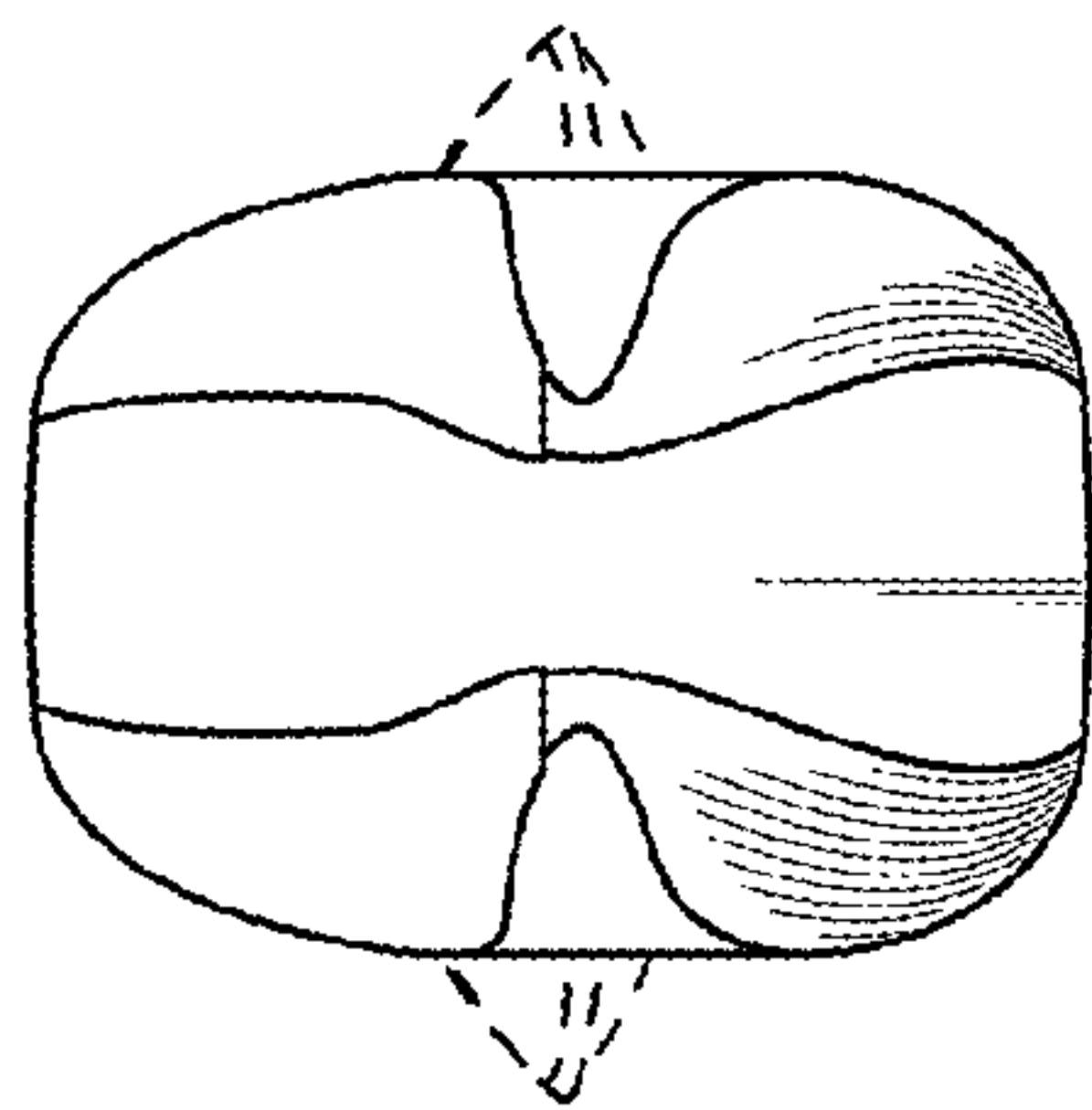


FIG. 13

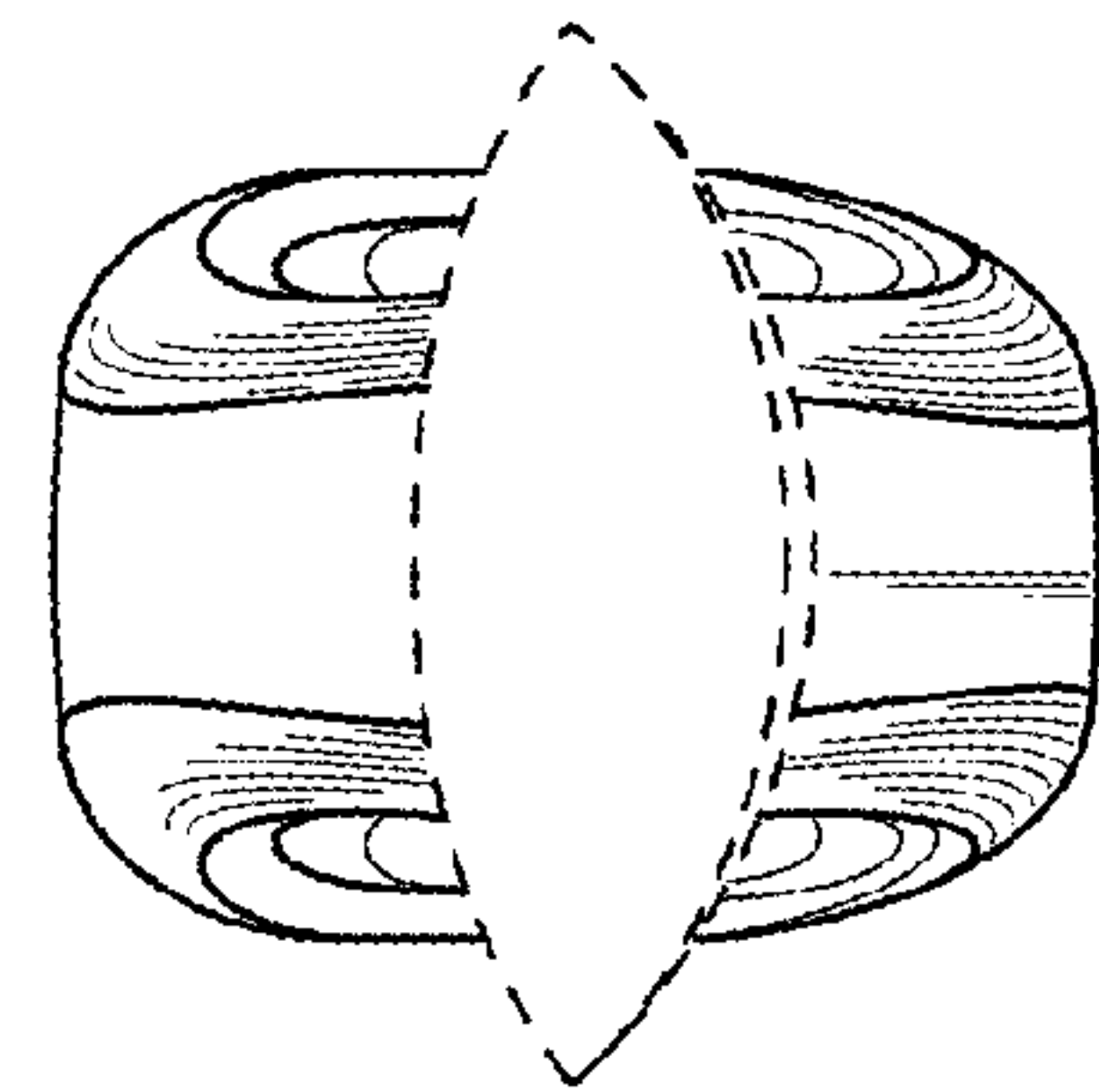


FIG. 14