



US00D760536S

(12) **United States Design Patent**
Scevola

(10) **Patent No.:** **US D760,536 S**
(45) **Date of Patent:** **** Jul. 5, 2016**

(54) **CONTAINER LID**
(71) Applicant: **EVINE Live Inc.**, Eden Prairie, MN (US)
(72) Inventor: **Brian Scevola**, Palm Harbor, FL (US)
(73) Assignee: **Evine Live Inc.**, Eden Prairie, MN (US)
(**) Term: **15 Years**
(21) Appl. No.: **29/530,333**
(22) Filed: **Jun. 16, 2015**
(51) **LOC (10) Cl.** **07-01**
(52) **U.S. Cl.**
USPC **D7/392.1**
(58) **Field of Classification Search**
USPC D7/392, 392.1, 396.1, 397, 398, 400, D7/538, 541, 555, 602, 620, 629; D9/428, D9/432, 435, 440, 449, 504, 737, 761; 220/212, 213, 263, 574, 575, 675, 700, 220/731, 794, 837; 215/386; 222/465.1, 222/475.1
CPC A47J 36/06
See application file for complete search history.

D529,800 S 10/2006 Liebe
D532,691 S 11/2006 Vogel
D535,877 S 1/2007 Tanninen
D547,648 S 7/2007 Solowiejko

(Continued)

OTHER PUBLICATIONS

“32 Litre Coloured Boxes with Wheels and Folding Lid”. Found online Feb. 16, 2016 at packingboxes.co.uk. Page dated Sep. 26, 2014. Retrieved from <http://www.packingboxes.co.uk/32-litre-coloured-boxes-with-wheels-and-folding-lids/>.*

(Continued)

Primary Examiner — George D Kirschbaum
Assistant Examiner — Kendra L Hamilton
(74) *Attorney, Agent, or Firm* — Bejin Bieneman PLC

(57) **CLAIM**

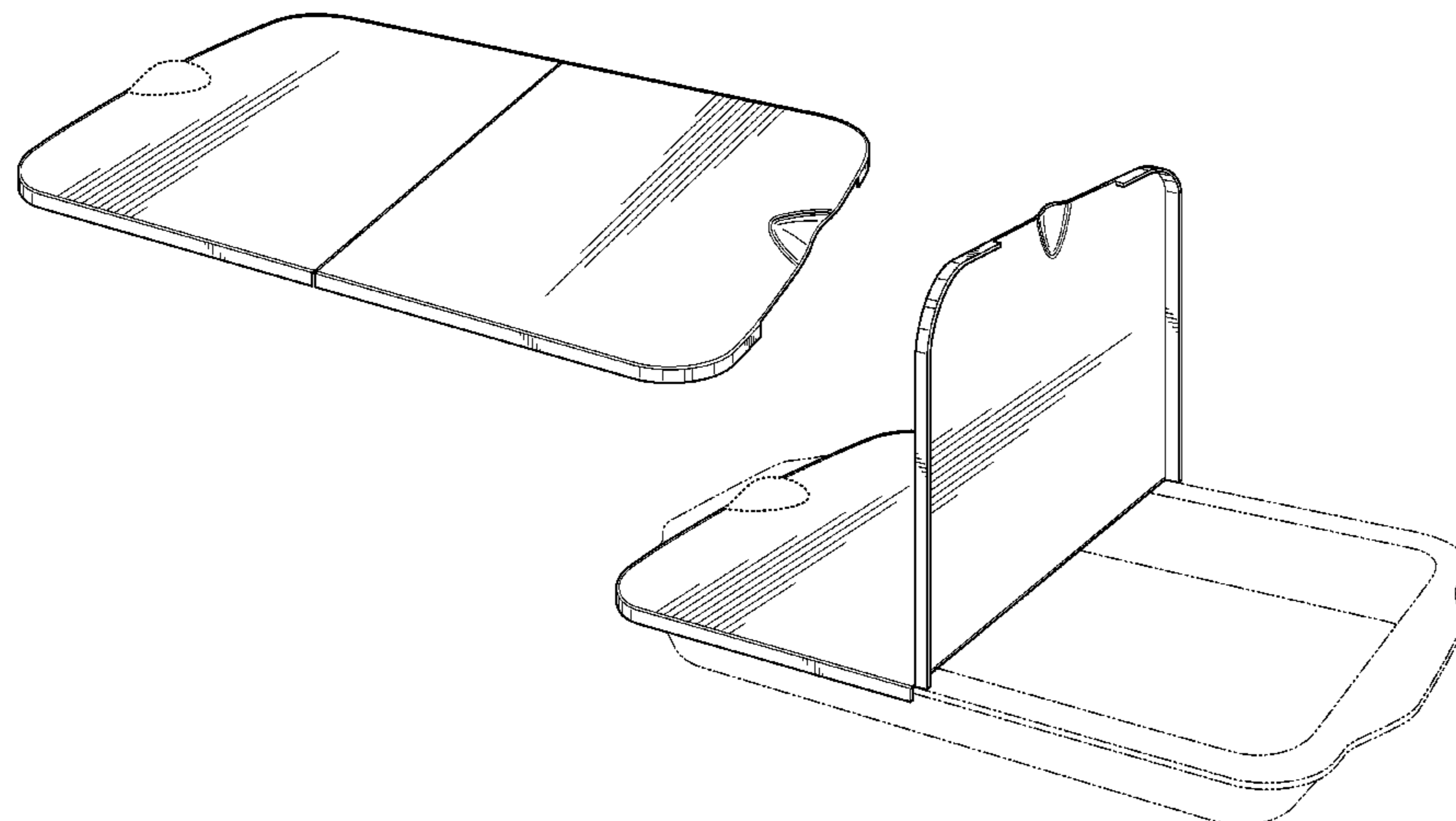
I claim the ornamental design for a container lid, as shown and described.

DESCRIPTION

FIG. 1 is a perspective view of a container lid, showing my new design;
FIG. 2 is a side view thereof;
FIG. 3 is a top view thereof;
FIG. 4 is a bottom view thereof;
FIG. 5 is a perspective view thereof, shown in condition of use;
FIG. 6 is another perspective view thereof, shown in condition of use;
FIG. 7 is a perspective view thereof, shown closed in condition of use, atop an unclaimed container; and,
FIG. 8 is a perspective view thereof, shown open in condition of use, atop an unclaimed container.
In FIGS. 1 through 8, the evenly-spaced broken lines illustrate portions of the container lid that form no part of the claimed design. In FIGS. 7 and 8, the dash-dot-dot-dash lines depict unclaimed environmental subject matter.

1 Claim, 7 Drawing Sheets

(56) **References Cited**
U.S. PATENT DOCUMENTS
1,686,955 A 10/1928 Brunhoff
2,952,377 A 9/1960 Brown et al.
D271,554 S * 11/1983 Grusin D7/392.1
D289,719 S * 5/1987 Daenen D7/392.1
D318,234 S 7/1991 Lillelund
5,064,088 A * 11/1991 Steffes A45C 11/20
220/837
D426,362 S 6/2000 Kent
D439,022 S 3/2001 Brandeis
D448,295 S * 9/2001 Mozes D7/591
D448,296 S 9/2001 Bried
D462,613 S 9/2002 Bried
D484,409 S * 12/2003 Haggerty D9/432
D522,362 S 6/2006 Liebe
D526,157 S * 8/2006 Laib D7/392.1



(56)

References Cited

U.S. PATENT DOCUMENTS

D552,989	S	10/2007	Vogel	
D581,786	S *	12/2008	Scheve	D9/435
D582,274	S	12/2008	Vogel	
D584,612	S *	1/2009	Ianello	D9/435
D623,064	S	9/2010	Salmon	
D628,020	S *	11/2010	Lim	D7/629
D656,789	S *	4/2012	Locke	D7/541
D666,878	S *	9/2012	Siegel	D7/629
D686,491	S *	7/2013	Kuo	D9/432
D712,263	S	9/2014	Humm et al.	
D733,503	S *	7/2015	Bagley	D7/629
2002/0125203	A1	9/2002	Bried et al.	
2004/0118846	A1	6/2004	Merolla	
2013/0068765	A1	3/2013	Procter	
2014/0326273	A1	11/2014	Kalyanpur et al.	

OTHER PUBLICATIONS

“50 Litre Smart Storage Box with Folding Lid”. Found online Feb. 16, 2016 at [packingboxes.co.uk](http://www.packingboxes.co.uk). Page dated Jan. 22, 2013. Retrieved from <http://www.packingboxes.co.uk/50l-smart-storage-box-with-folding-lid/>.*

Round Plastic Snack Containers with Flip Top Lids: Announced Oct. 15, 2015 [online], site visited [Dec. 15, 2015]. Available from Internet URL: <https://www.dollartree.com/Round-Plastic-Snack-Containers-with-Flip-Top-Lids-2-ct-Packs/p357583/index.pro#BVRRWidgetID>.

Bradbury Barrel Acrylic Lid: Announced Oct. 5, 2015 [online], site visited [Dec. 14, 2015]. Available from Internet URL: http://www.wasserstrom.com/restaurant-supplies-equipment/Product_200609.

* cited by examiner

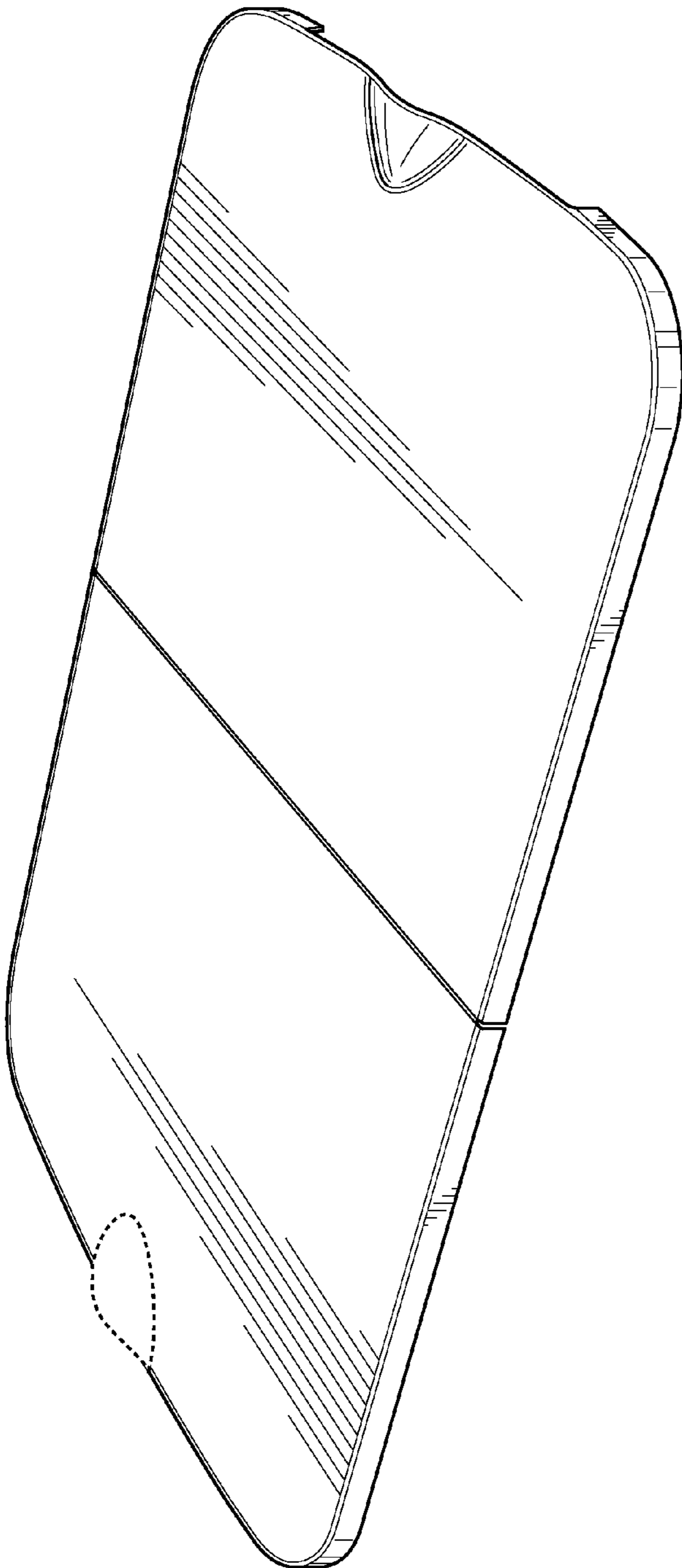


FIG. 1

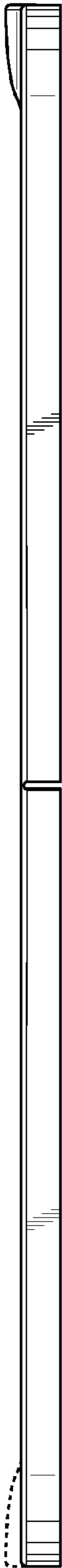


FIG. 2

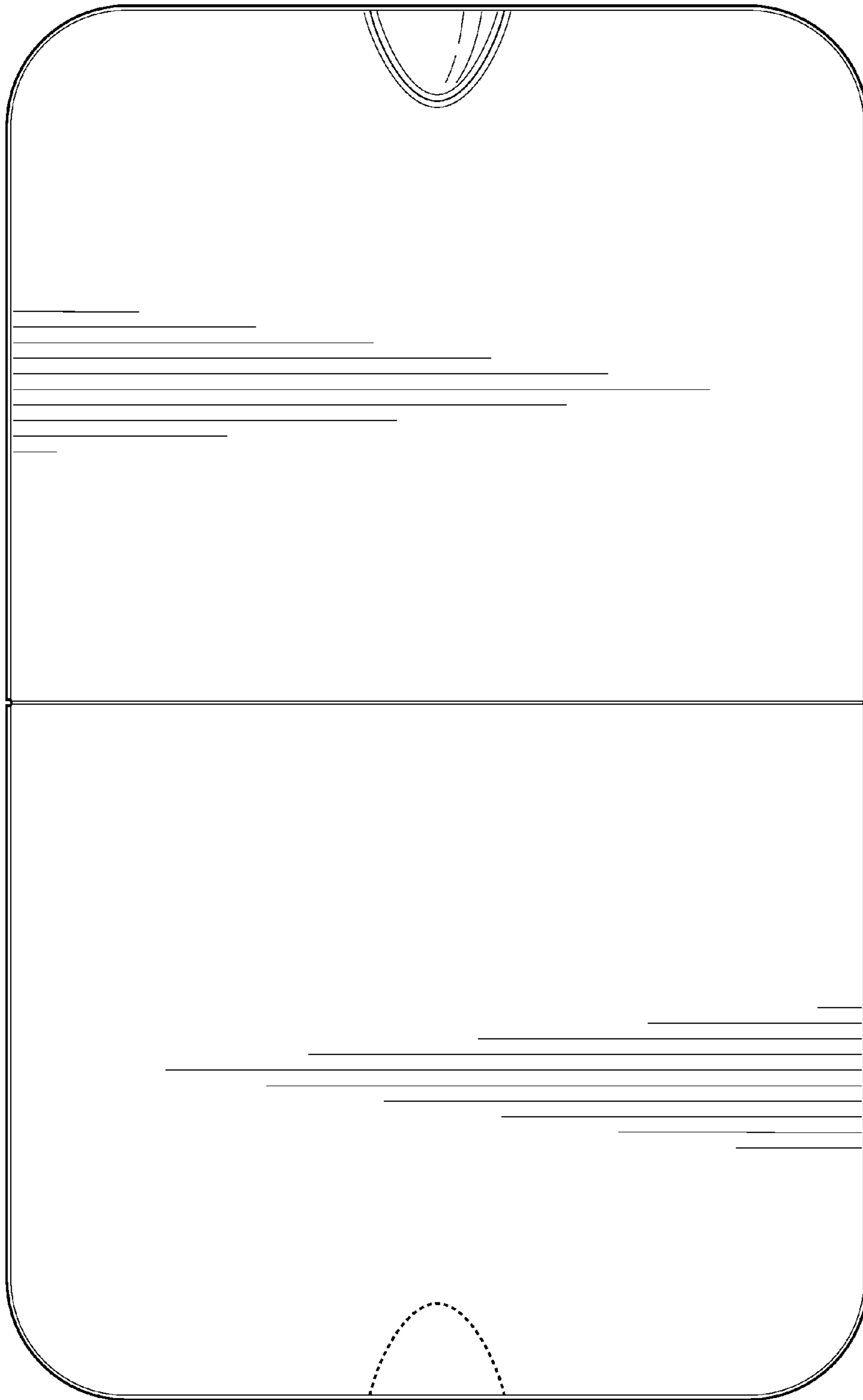


FIG. 3

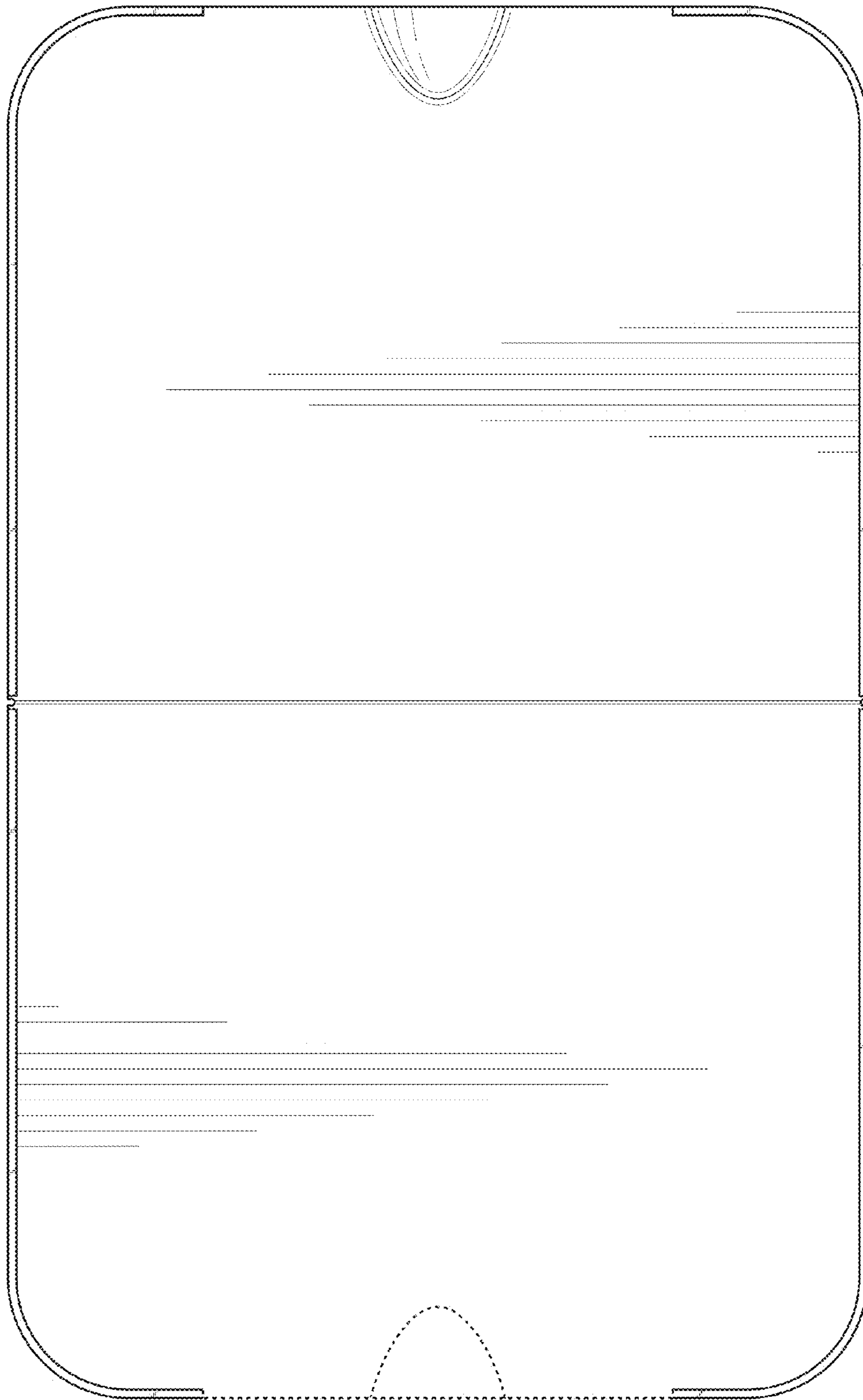


FIG. 4

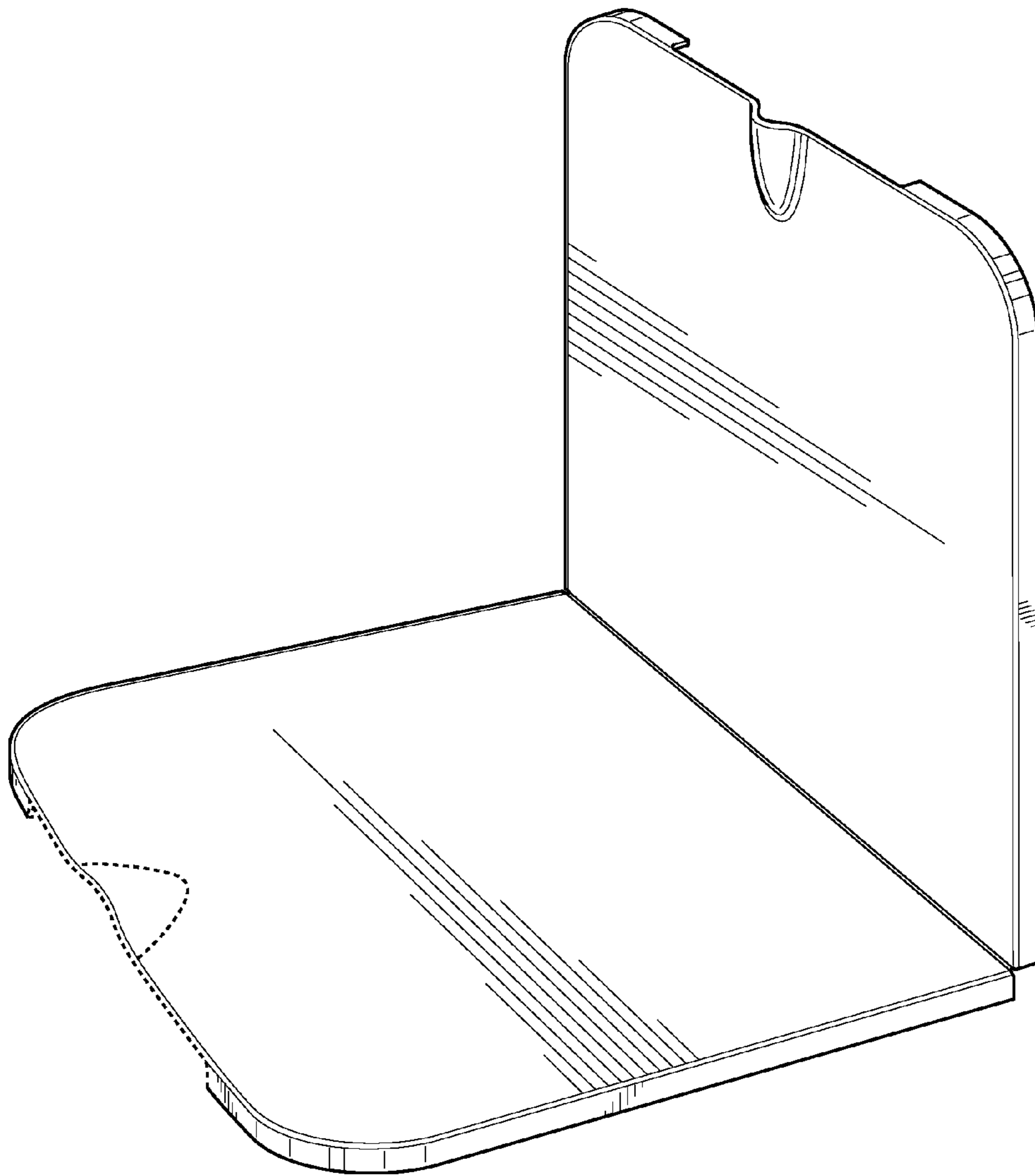


FIG. 5

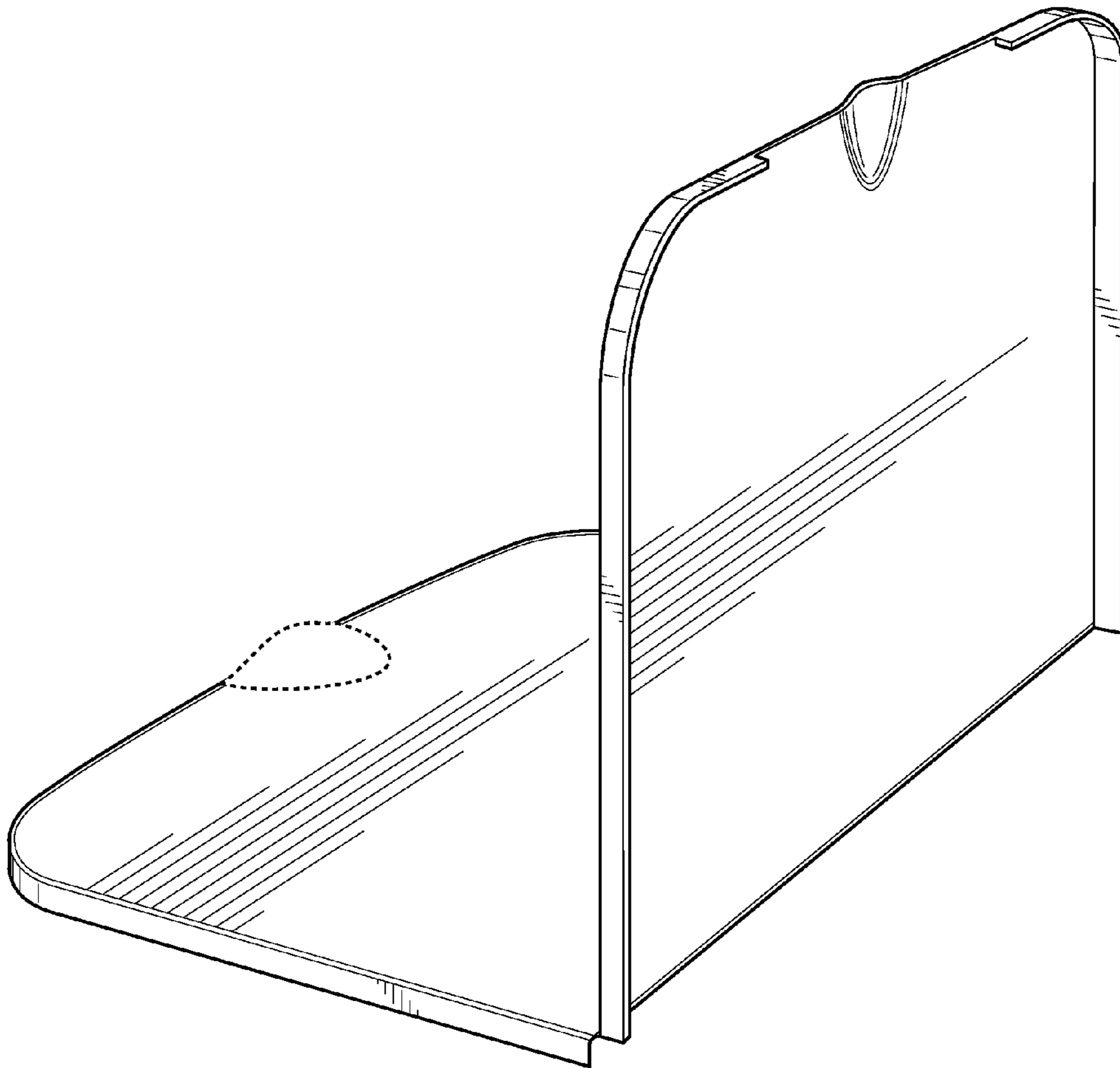


FIG. 6

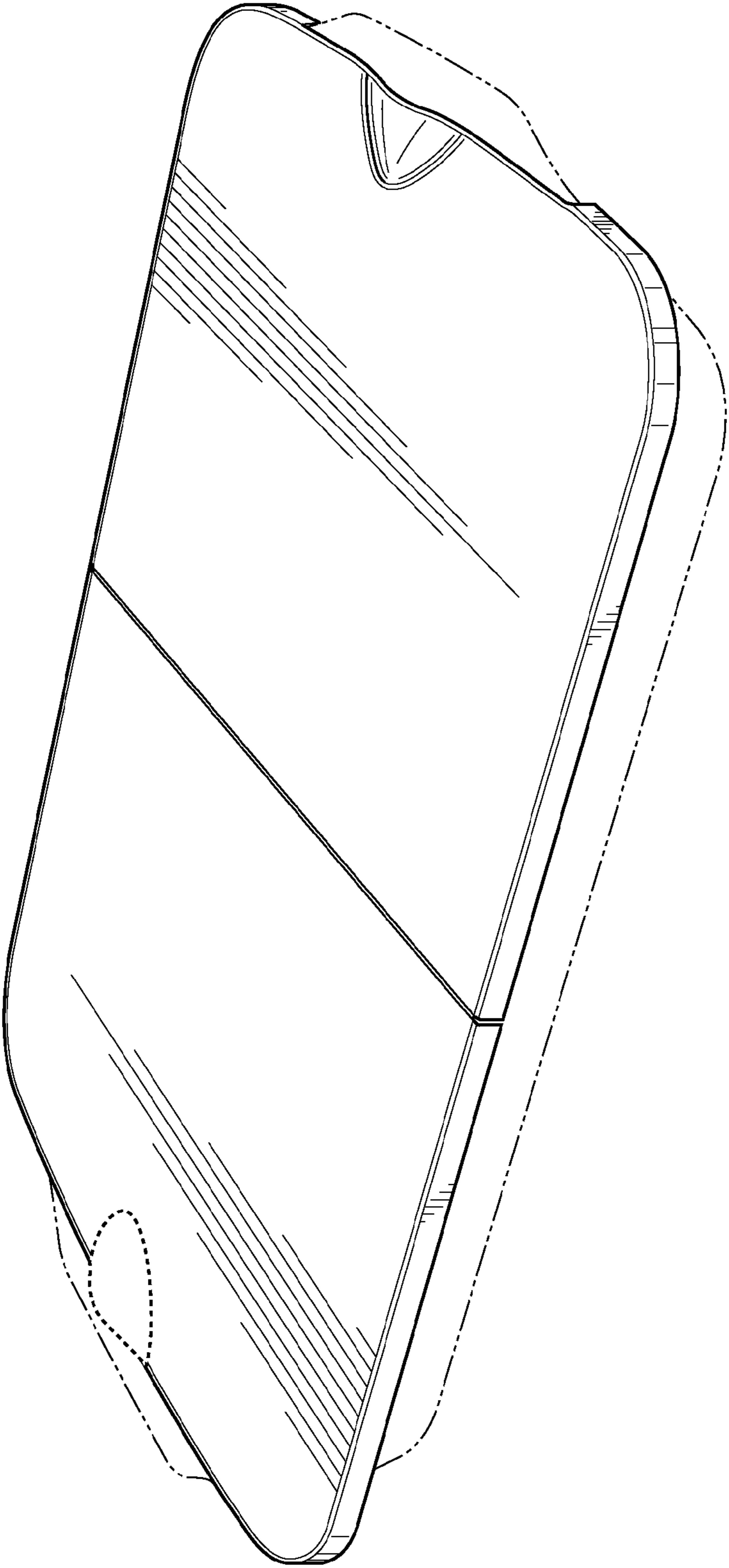


FIG. 7

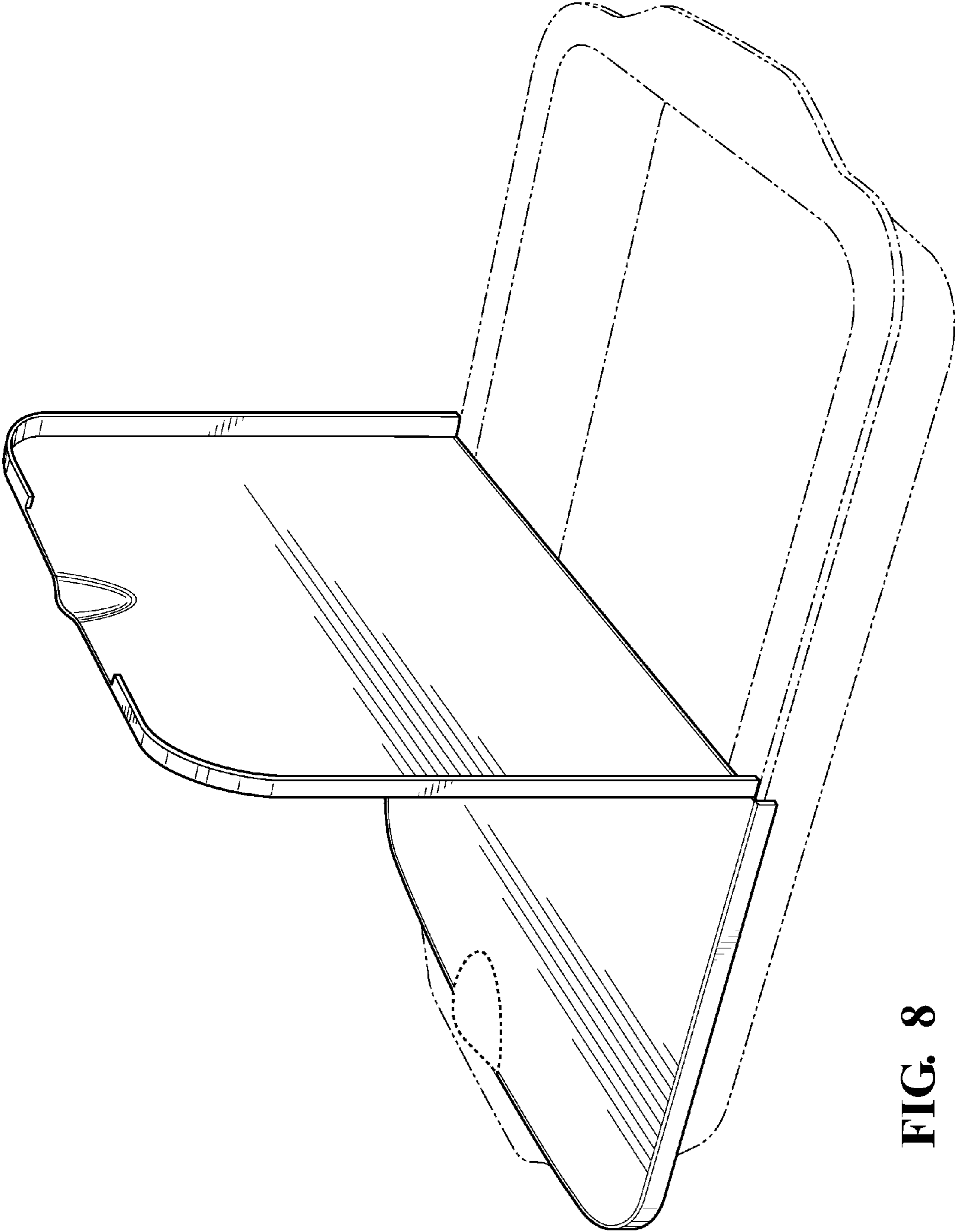


FIG. 8