

US00D760535S

(12) **United States Design Patent**  
**Vu et al.**

(10) **Patent No.:** **US D760,535 S**  
(45) **Date of Patent:** **\*\* Jul. 5, 2016**

(54) **BLENDER**

(56) **References Cited**

(71) Applicant: **DE'LONGHI BRAUN HOUSEHOLD GMBH**, Neu-Isenburg (DE)

U.S. PATENT DOCUMENTS

(72) Inventors: **Duy Phong Vu**, Schwalbach am Taunus (DE); **Sven Wuttig**, Griesheim (DE); **Dennis Müller**, Frankfurt am Main (DE); **Britta Stockinger**, Frankfurt am Main (DE); **Markus Orthey**, Eltville am Rhein (DE)

D209,652	S	*	12/1967	Weiss	.....	D7/378
D215,782	S	*	10/1969	Steinkamp	.....	D7/378
D255,758	S	*	7/1980	Steinkamp	.....	D7/384
D255,759	S	*	7/1980	Ernest	.....	D7/378
D277,634	S	*	2/1985	Doggett	.....	D7/378
D290,217	S	*	6/1987	Levin	.....	D7/378
D537,674	S	*	3/2007	Davenport	.....	D7/378
D538,595	S	*	3/2007	White	.....	D7/413
7,263,926	B2	*	9/2007	Chang Chien	.....	A47J 43/22 99/348
D611,760	S	*	3/2010	Ball	.....	D7/378
8,721,165	B2	*	5/2014	Conti	.....	A47J 43/0727 366/205
D716,602	S	*	11/2014	Thai	.....	D7/376
D734,978	S	*	7/2015	Sanguinetti	.....	D7/376

(73) Assignee: **DE'LONGHI BRAUN HOUSEHOLD GMBH**, Neu-Isenburg (DE)

(\*\*) Term: **14 Years**

\* cited by examiner

(21) Appl. No.: **29/519,378**

*Primary Examiner* — Ricky Pham

(22) Filed: **Mar. 4, 2015**

(74) *Attorney, Agent, or Firm* — Goodwin Procter LLP

(51) **LOC (10) Cl.** ..... **31-00**

(52) **U.S. Cl.**  
USPC ..... **D7/378; D7/376; D7/386; D7/413**

(57) **CLAIM**

The ornamental design for a blender, as shown and described.

(58) **Field of Classification Search**

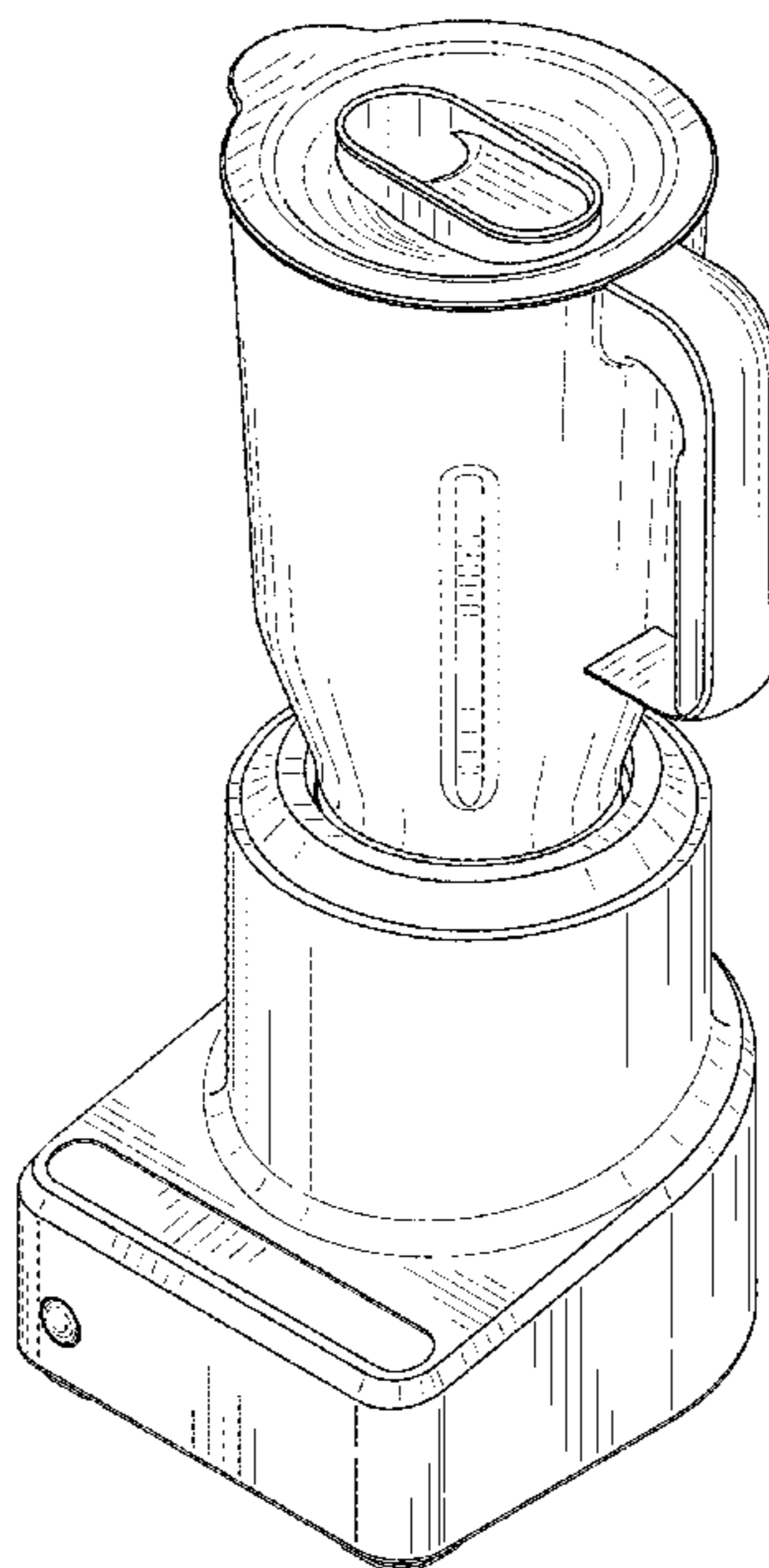
**DESCRIPTION**

USPC ..... D7/300.1, 326, 372, 376–386, 412–413, D7/602, 629, 665–666, 669, 679, 693–694  
CPC ..... A21C 1/02; A21C 1/04; A23N 1/00; A23N 1/02; A47J 43/04; A47J 43/22; A47J 43/25; A47J 43/27; A47J 43/042; A47J 43/044; A47J 43/046; A47J 43/075; A47J 43/0722; A47J 43/0727; B01F 3/00; B01F 3/0807; B01F 3/0853; B01F 13/0059; B01F 13/0064; B02C 1/08; B02C 2/04; B02C 4/42; B02C 4/142; B02C 4/143; B02C 13/1835; B02C 4/423; B28C 5/10; B28C 5/12; B28C 5/14; B28C 5/16

FIG. 1 is a top perspective view of a blender;  
FIG. 2 is a front view of the blender;  
FIG. 3 is a rear view of the blender;  
FIG. 4 is a right side view of the blender;  
FIG. 5 is a left side view of the blender;  
FIG. 6 is a top view of the blender;  
FIG. 7 is a bottom view of the blender; and,  
FIG. 8 is a bottom perspective view of the blender.

See application file for complete search history.

**1 Claim, 7 Drawing Sheets**



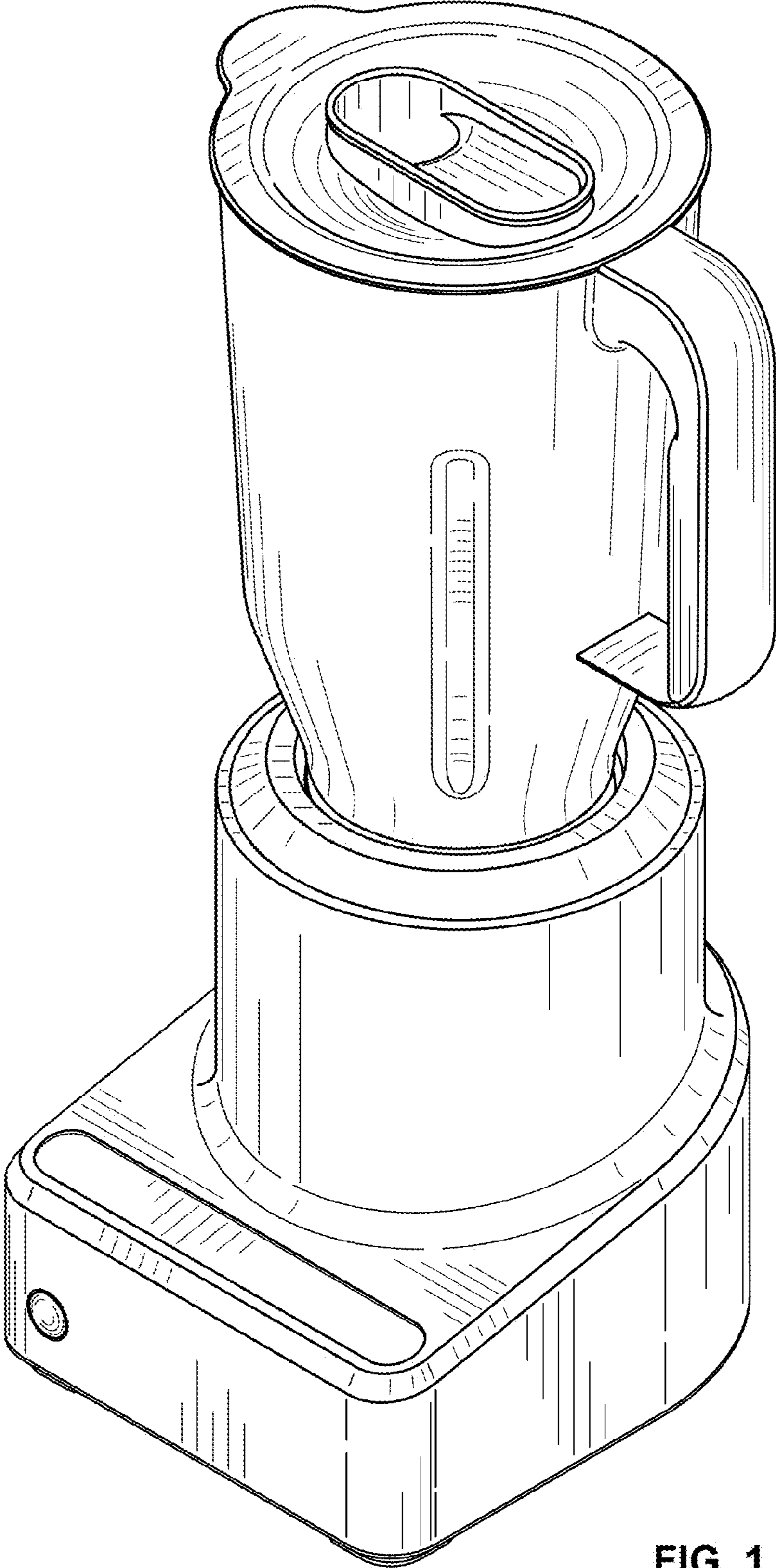


FIG. 1

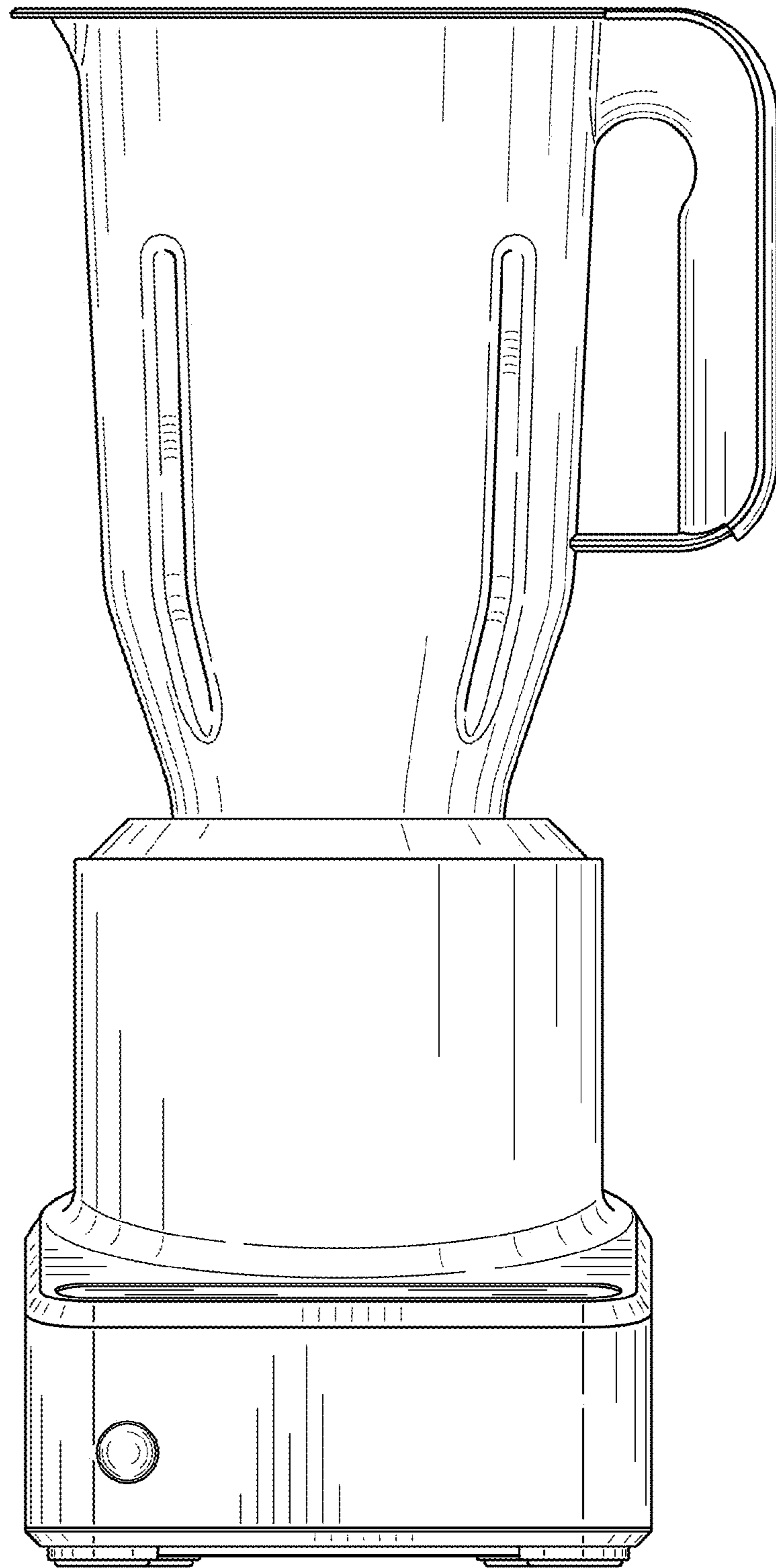


FIG. 2

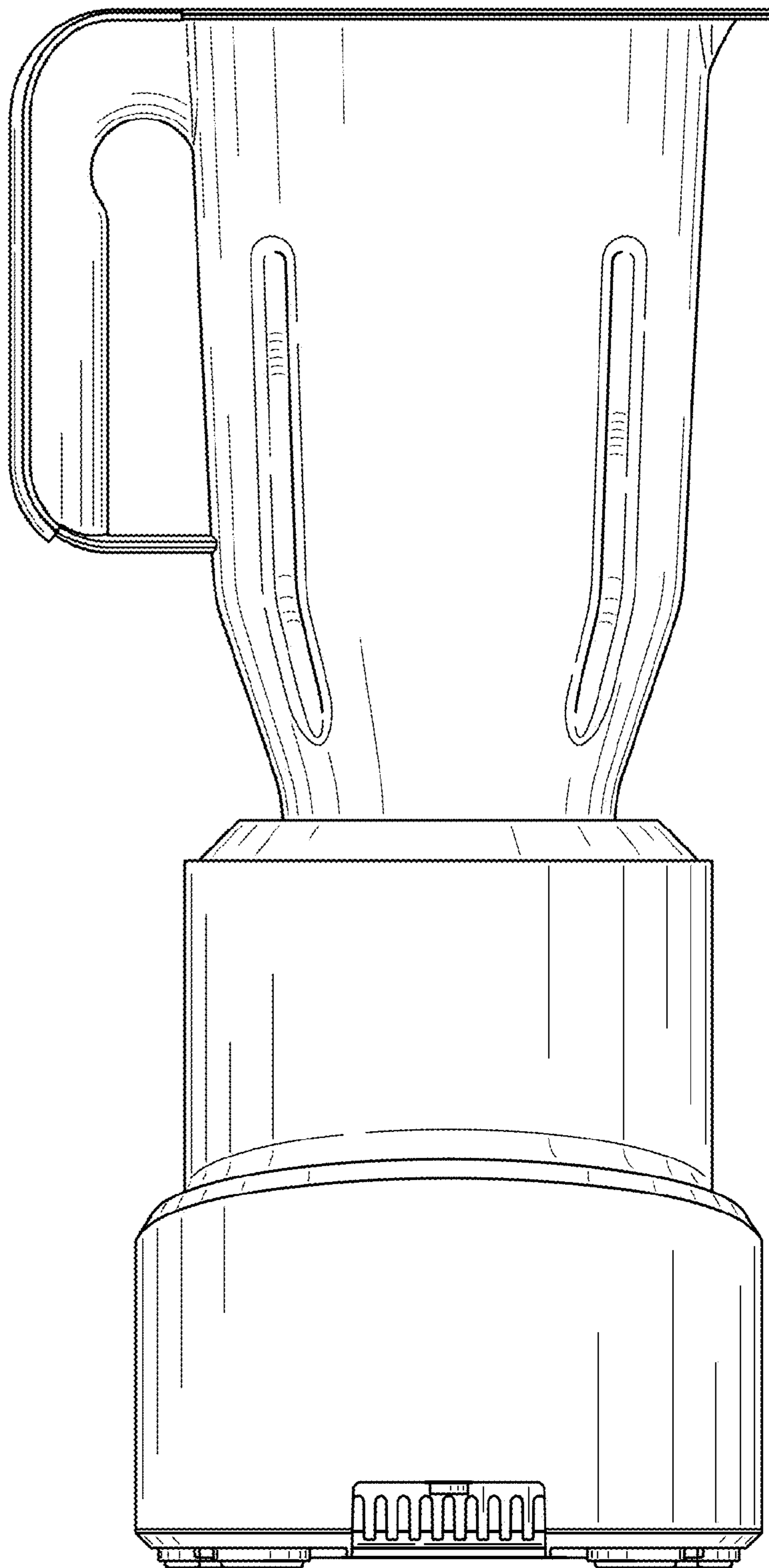


FIG. 3

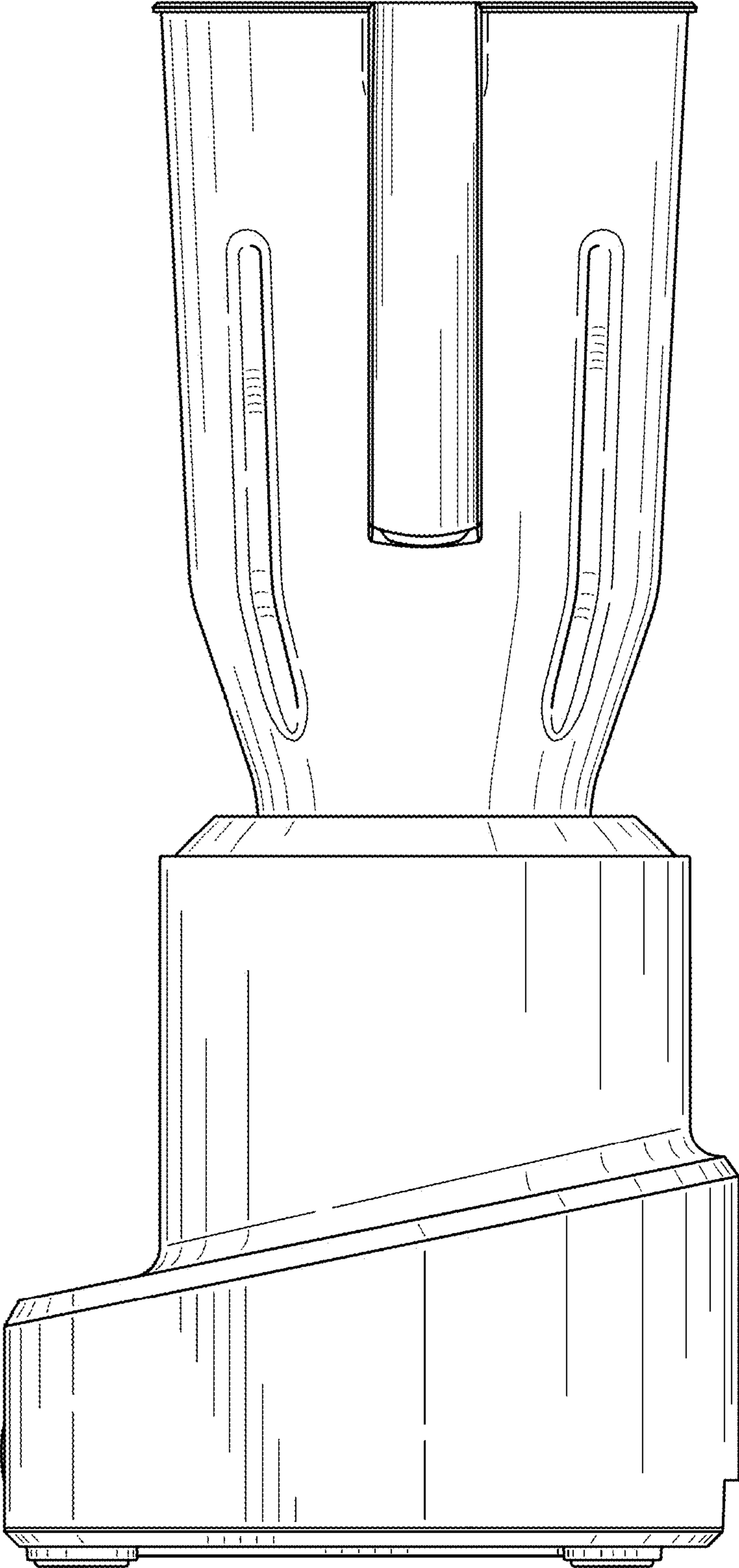


FIG. 4

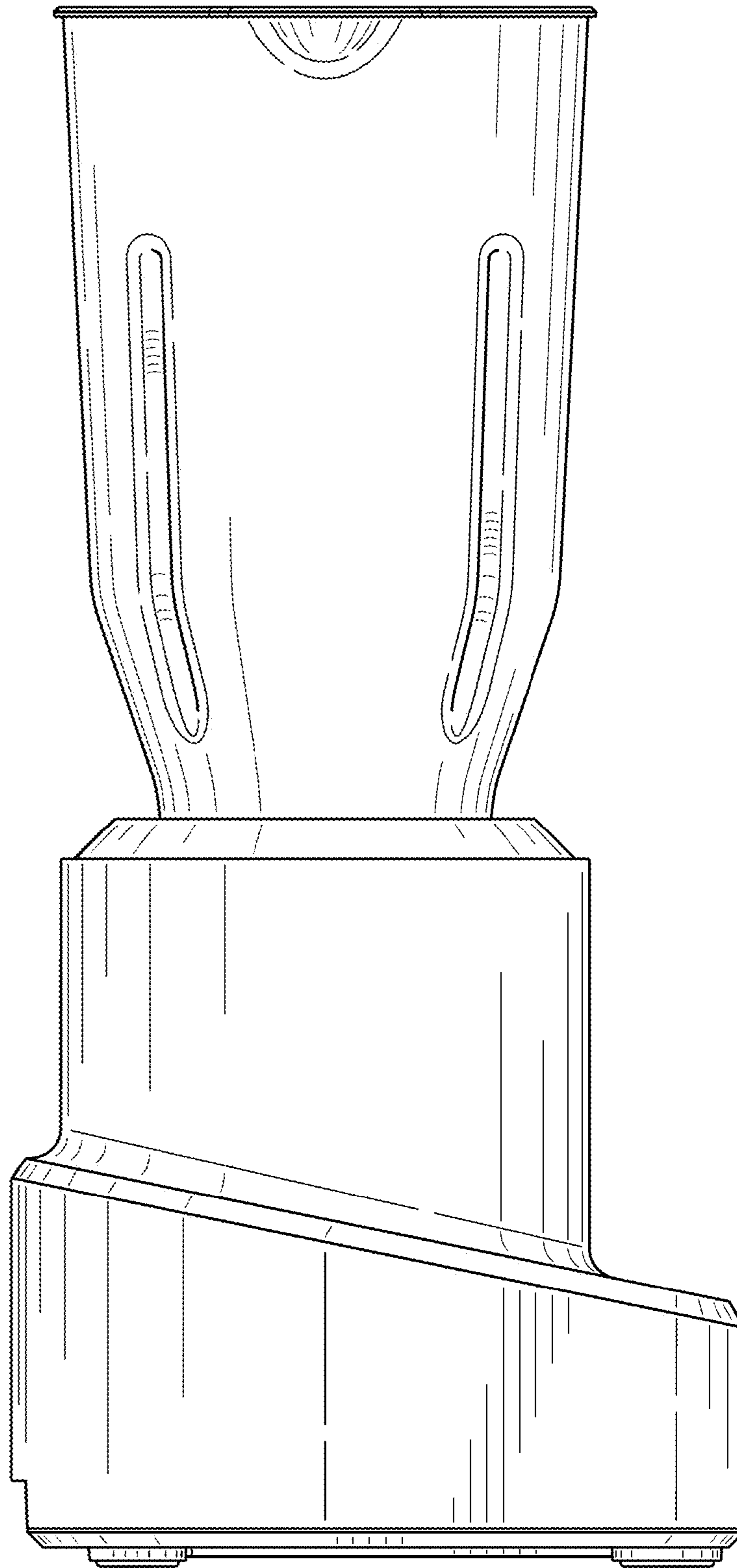


FIG. 5

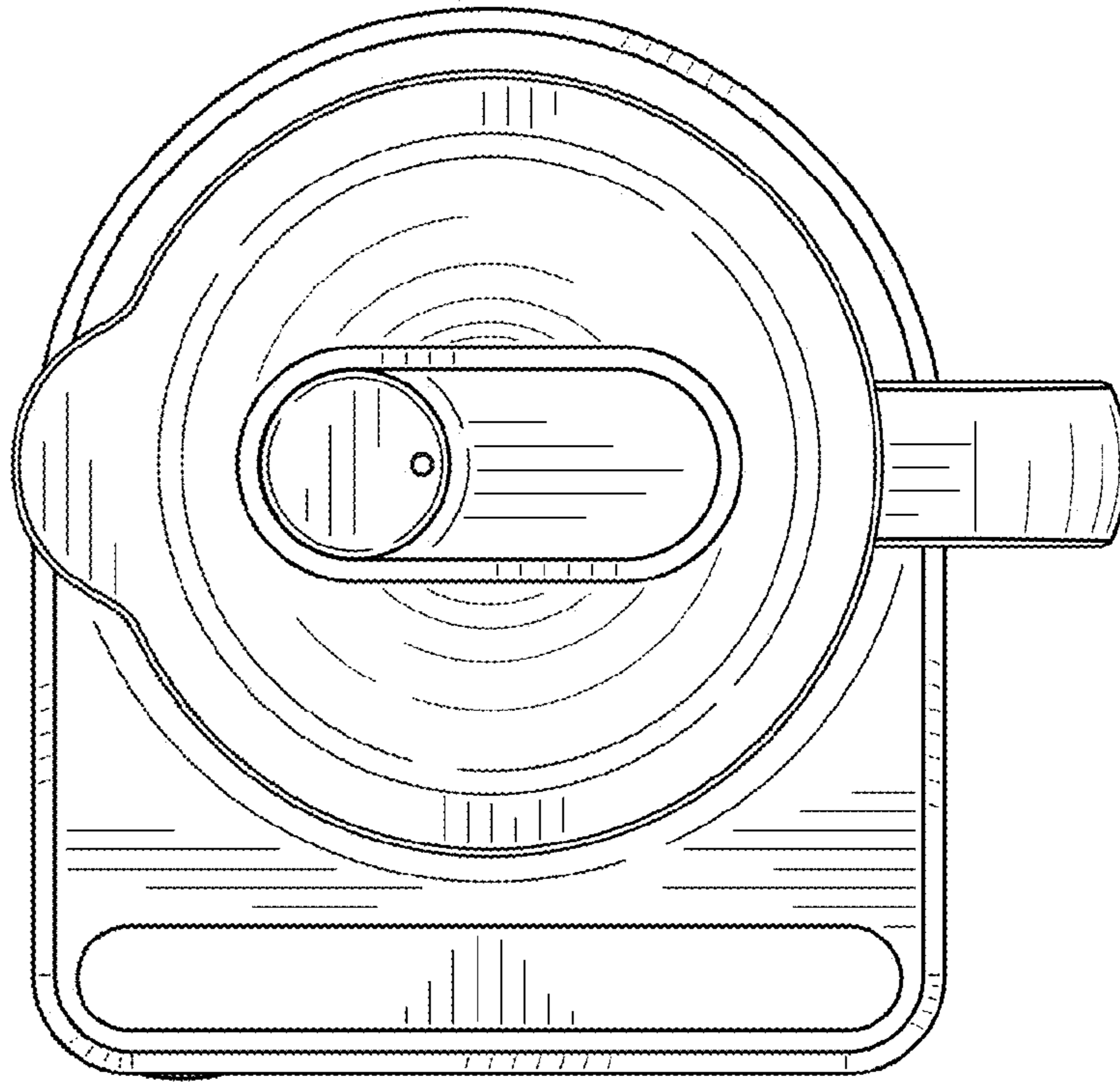


FIG. 6

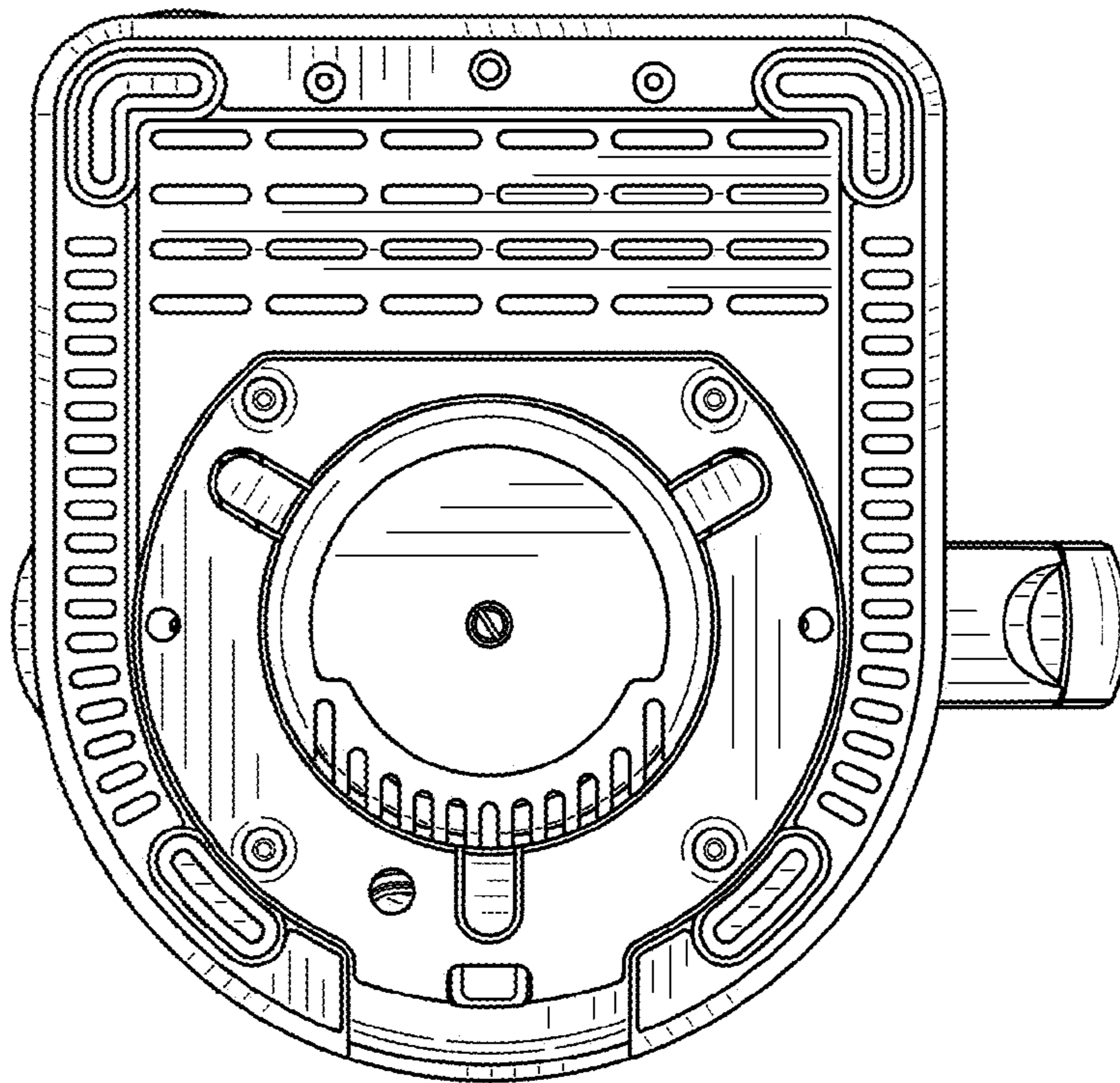


FIG. 7

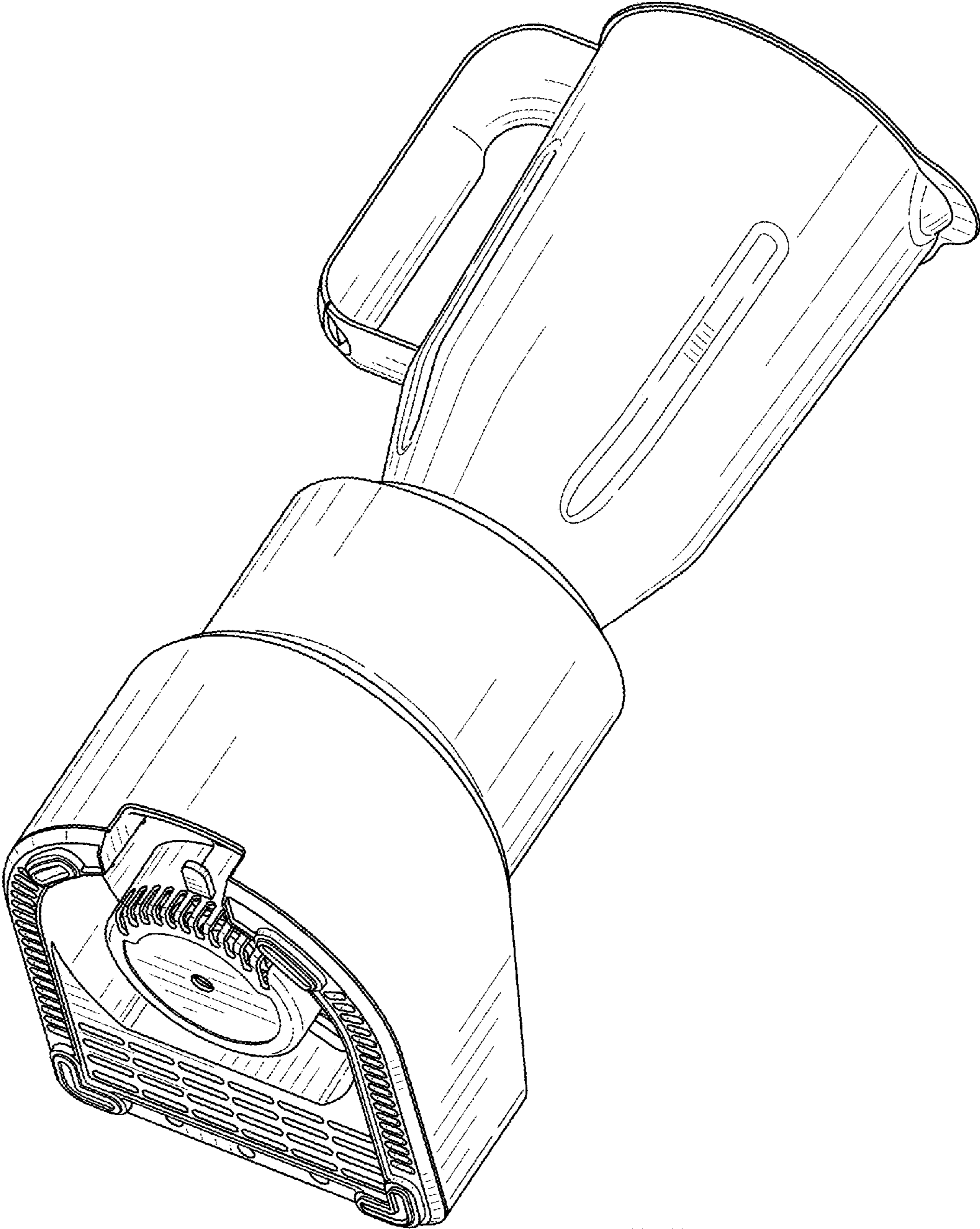


FIG. 8