



US00D760534S

(12) **United States Design Patent**
Kim

(10) **Patent No.:** **US D760,534 S**
(45) **Date of Patent:** **** Jul. 5, 2016**

(54) **INNER CASE OF YOGURT MAKER**

(71) Applicant: **Whostyle**, Seoul (KR)

(72) Inventor: **Jin Seok Kim**, Seoul (KR)

(73) Assignee: **WHOSTYLE**, Seoul (KR)

(**) Term: **14 Years**

(21) Appl. No.: **29/507,240**

(22) Filed: **Oct. 24, 2014**

(30) **Foreign Application Priority Data**

Apr. 25, 2014 (KR) 30-2014-0021141

(51) **LOC (10) Cl.** **31-00**

(52) **U.S. Cl.**
USPC **D7/370**

(58) **Field of Classification Search**

USPC D7/323, 370–372, 376–386, 412–413,
D7/602, 629, 644, 665–667, 669, 679,
D7/693–694; D9/425; D34/1

CPC A21C 1/02; A21C 1/04; A23C 9/1226;
A23C 9/1232; A23G 9/12; A23N 1/00;
A23N 1/02; A47G 19/065; A47J 43/04;
A47J 43/25; A47J 43/27; A47J 43/042;
A47J 43/044; A47J 43/046; A47J 43/075;
A47J 43/0722; A47J 43/0727; B01F 3/00;
B01F 3/0807; B01F 3/0853; B01F 13/0059;
B01F 13/0064; B02C 1/08; B02C 2/04;
B02C 4/42; B02C 4/142; B02C 4/143; B02C
4/423; B02C 13/1835; B28C 5/10; B28C
5/12; B28C 5/14; B28C 5/16

See application file for complete search history.

(56) **References Cited**

U.S. PATENT DOCUMENTS

3,685,153	A *	8/1972	Borkton	A23C 9/1226	99/455
4,163,472	A *	8/1979	Taylor	A23C 9/1226	165/47
4,195,561	A *	4/1980	Castanis	A23C 9/1232	116/216
D328,508	S *	8/1992	Crutchfield	D34/1	
D345,885	S *	4/1994	Bannigan	D7/323	
D351,792	S *	10/1994	Morris, Sr.	D9/425	
6,012,383	A *	1/2000	Lande'	A23G 9/12	366/146
6,213,007	B1 *	4/2001	Lande	A23G 9/12	366/146
D731,861	S *	6/2015	Partiyeli	D7/667	
D738,167	S *	9/2015	Weernink	D7/644	
2011/0114643	A1 *	5/2011	Bogdziewicz	A47G 19/065	220/574

* cited by examiner

Primary Examiner — Ricky Pham

(74) *Attorney, Agent, or Firm* — Rabin & Berdo, P.C.

(57) **CLAIM**

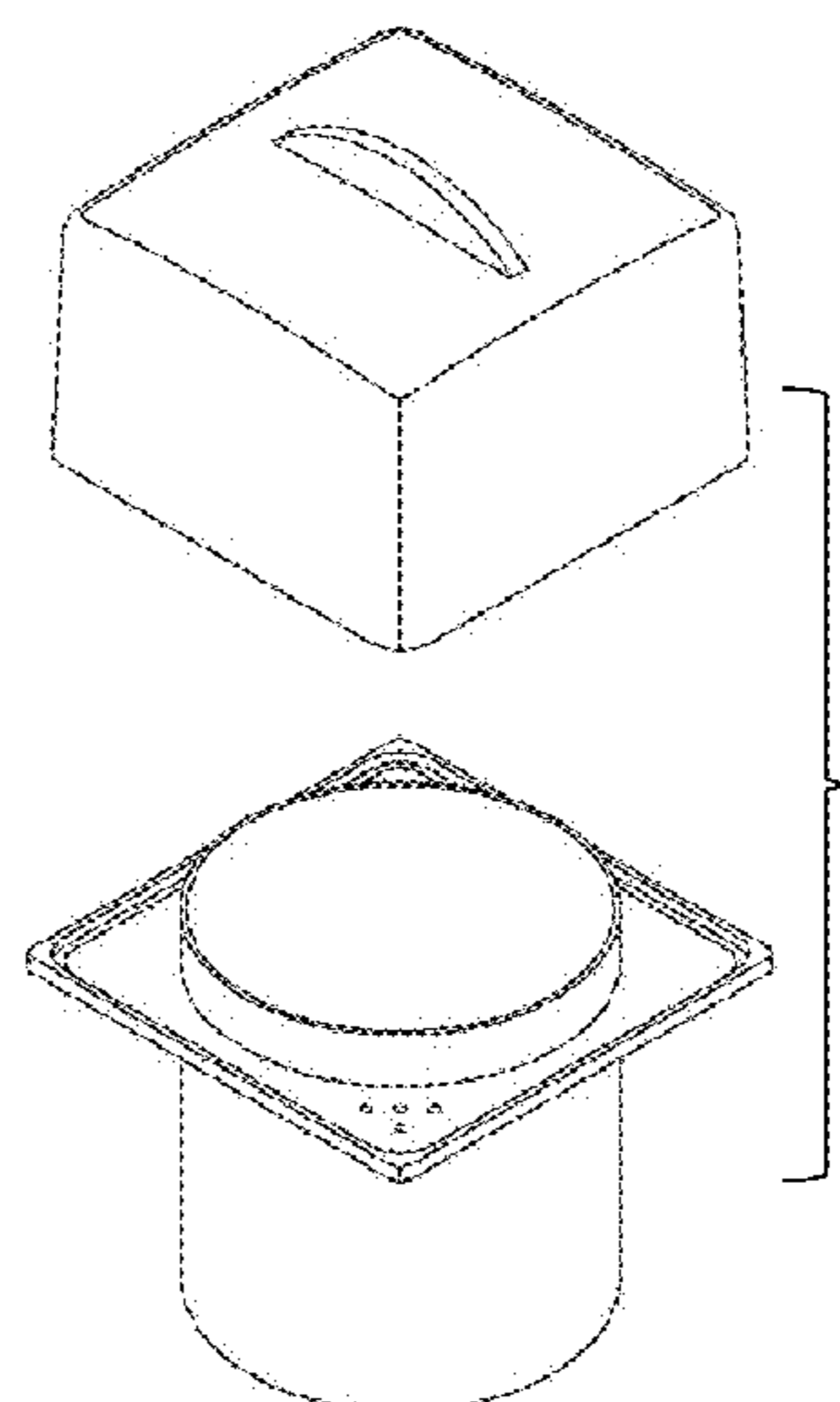
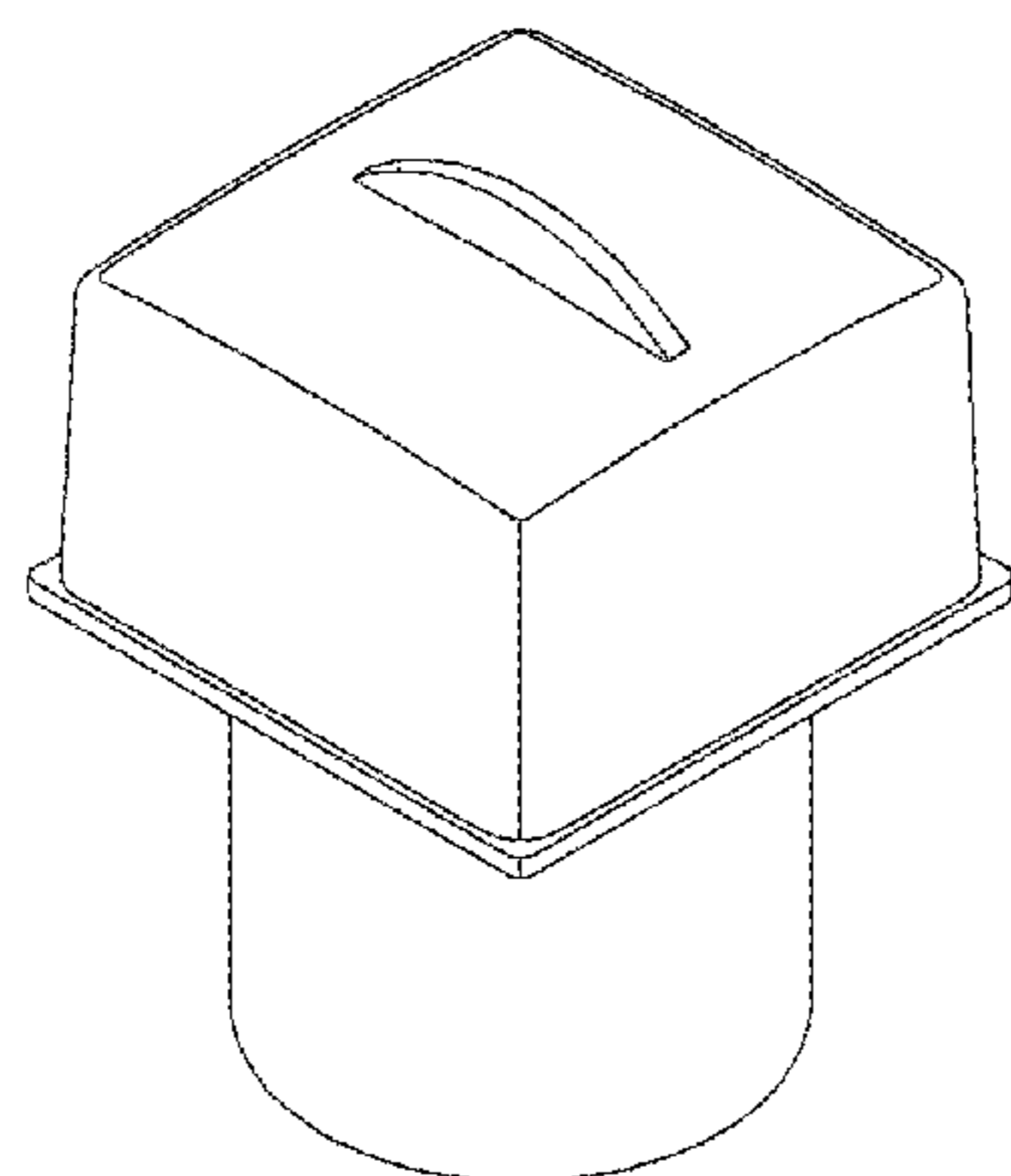
The ornamental design for an inner case of yogurt maker, as shown and described.

DESCRIPTION

FIG. 1 is a perspective view of an inner case of yogurt maker showing my new design;
FIG. 2 is a front elevational view thereof, the rear elevational view being a mirror image.
FIG. 3 is a left side elevational view thereof, the right side elevational view being a mirror image.
FIG. 4 is a top view thereof;
FIG. 5 is a bottom view thereof;
FIG. 6 is an exploded view thereof; and,
FIG. 7 is a cross-sectional view thereof taken along lines A-A of FIG. 4.

Broken lines are included herein for illustrative purposes only and form no part of the claimed design.

1 Claim, 7 Drawing Sheets



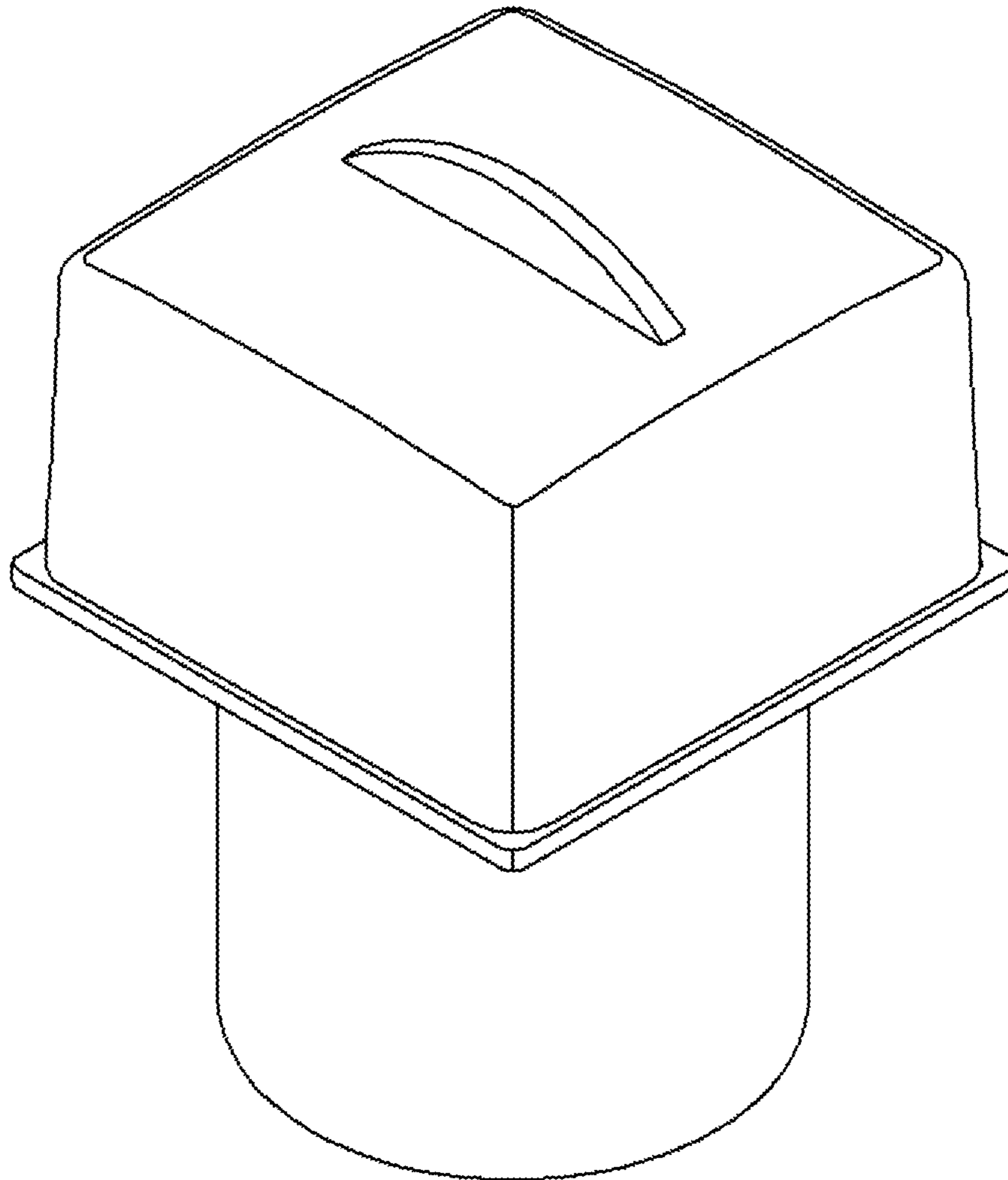


FIG. 1

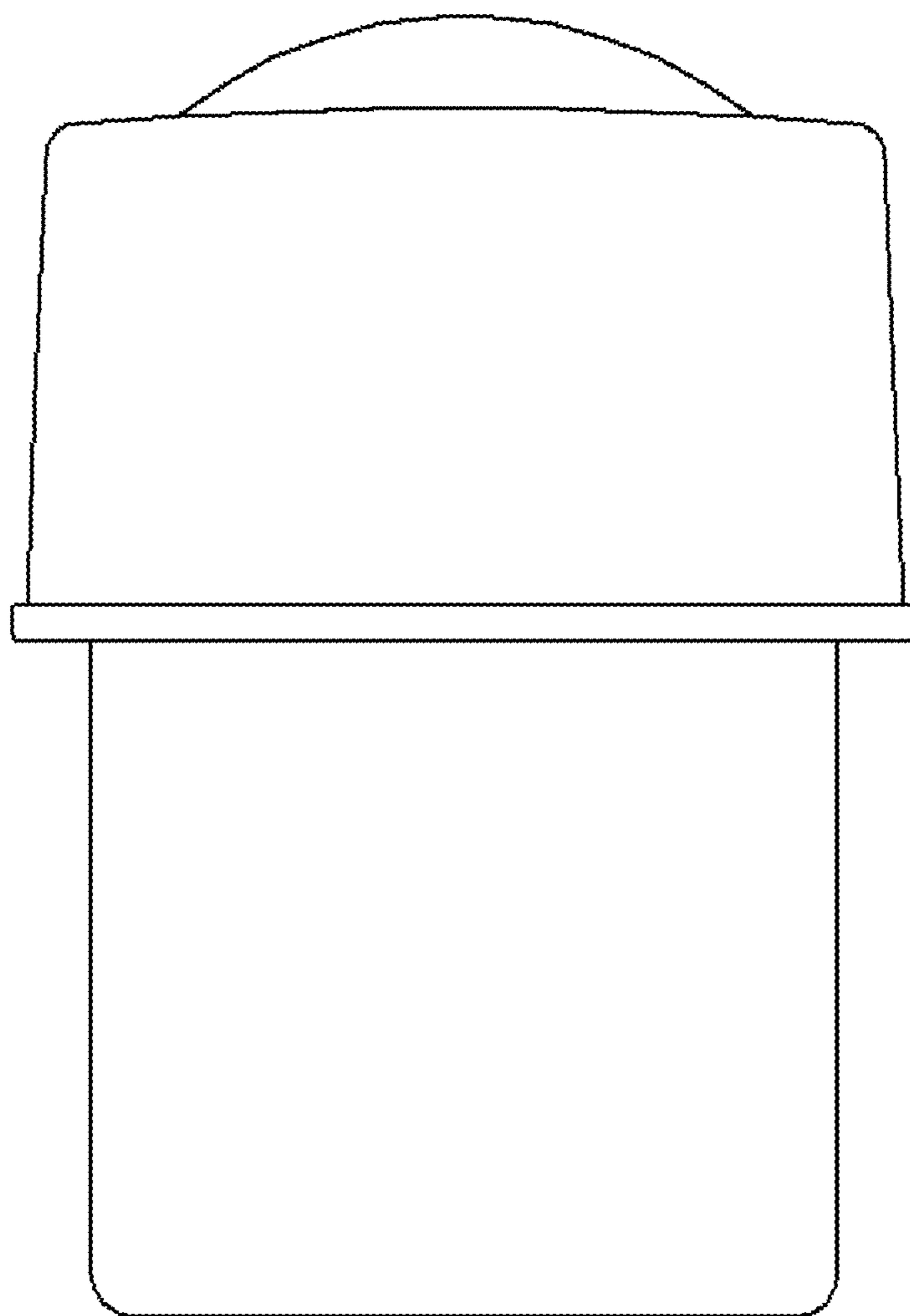


FIG. 2

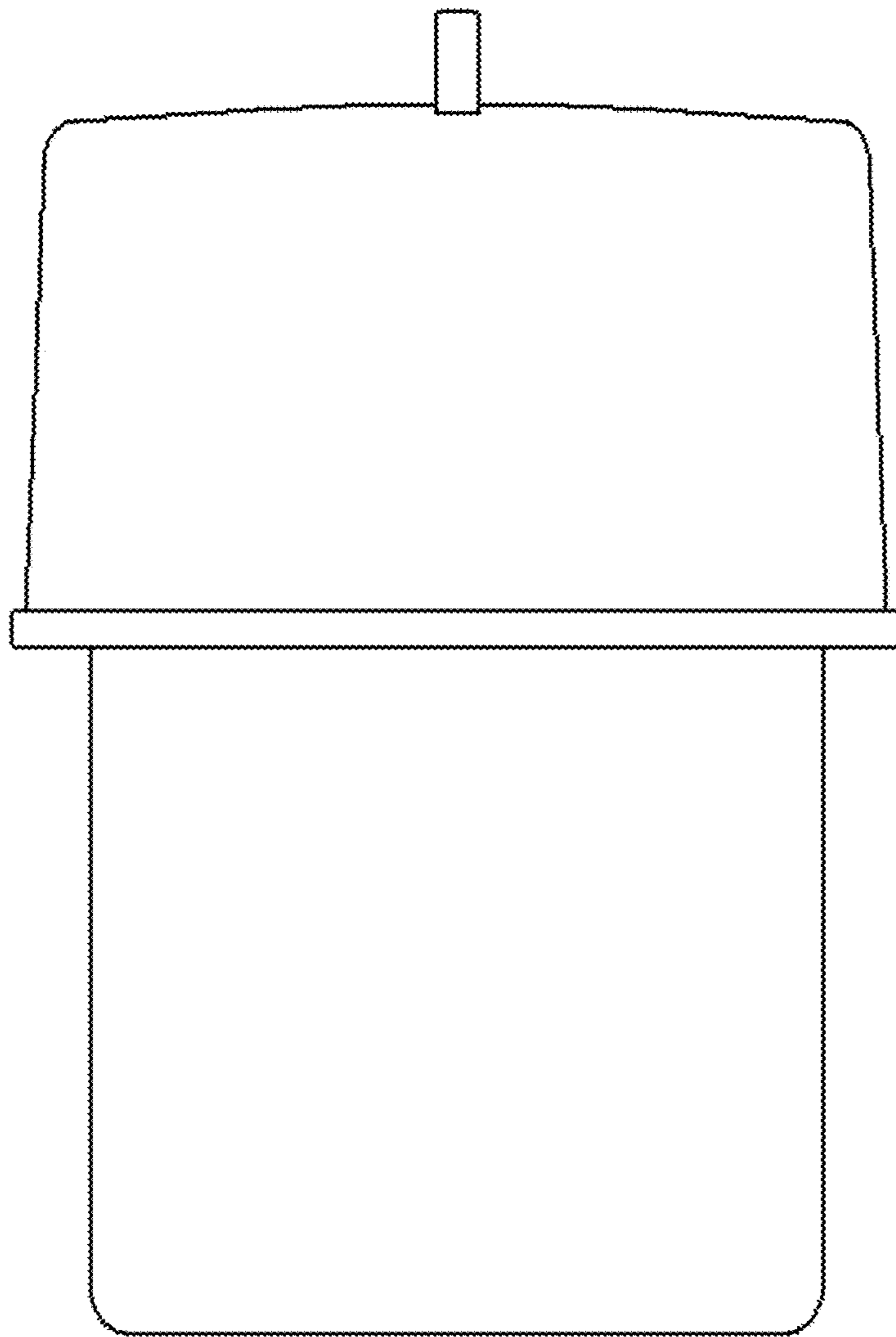


FIG. 3

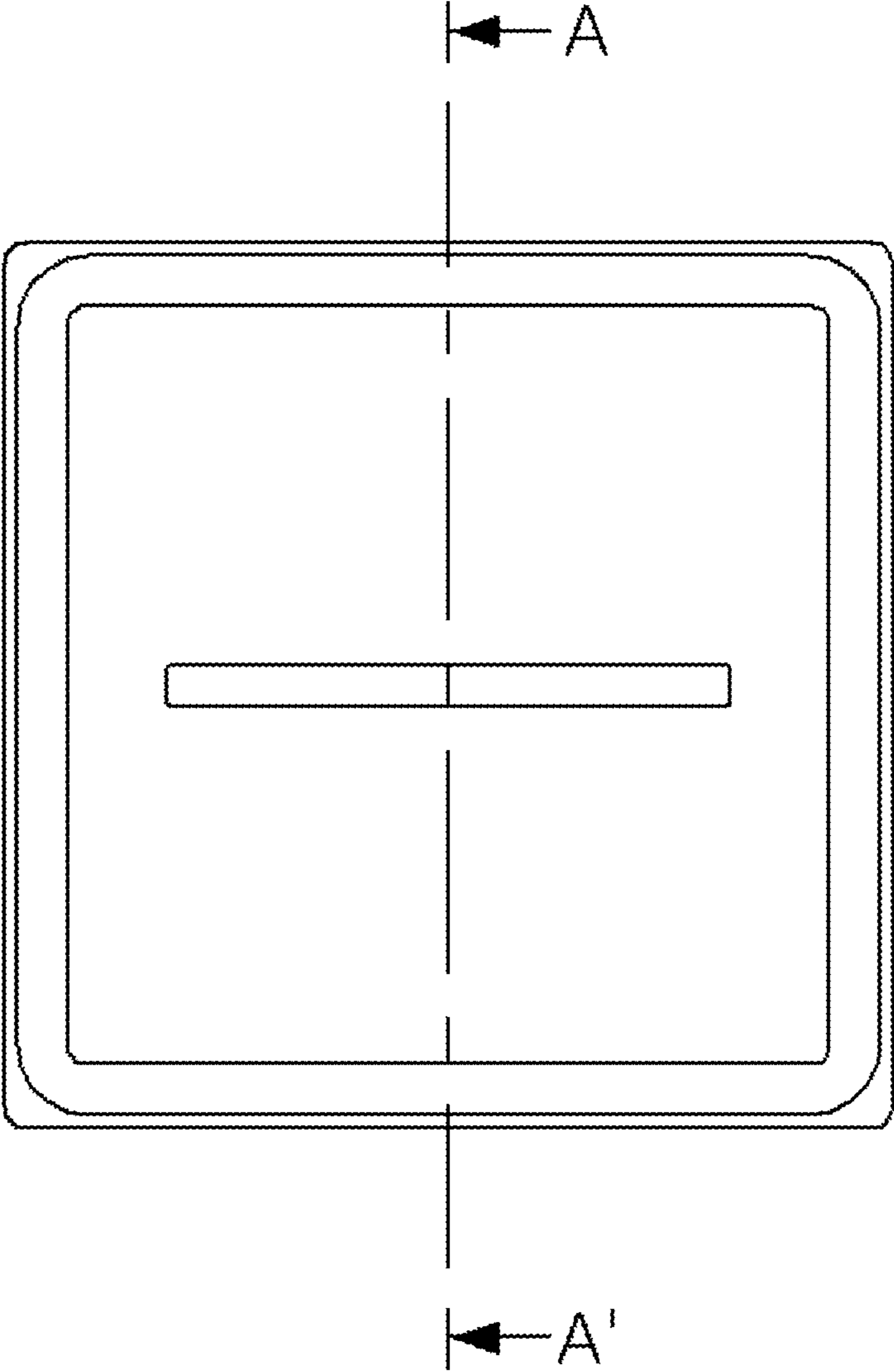


FIG. 4

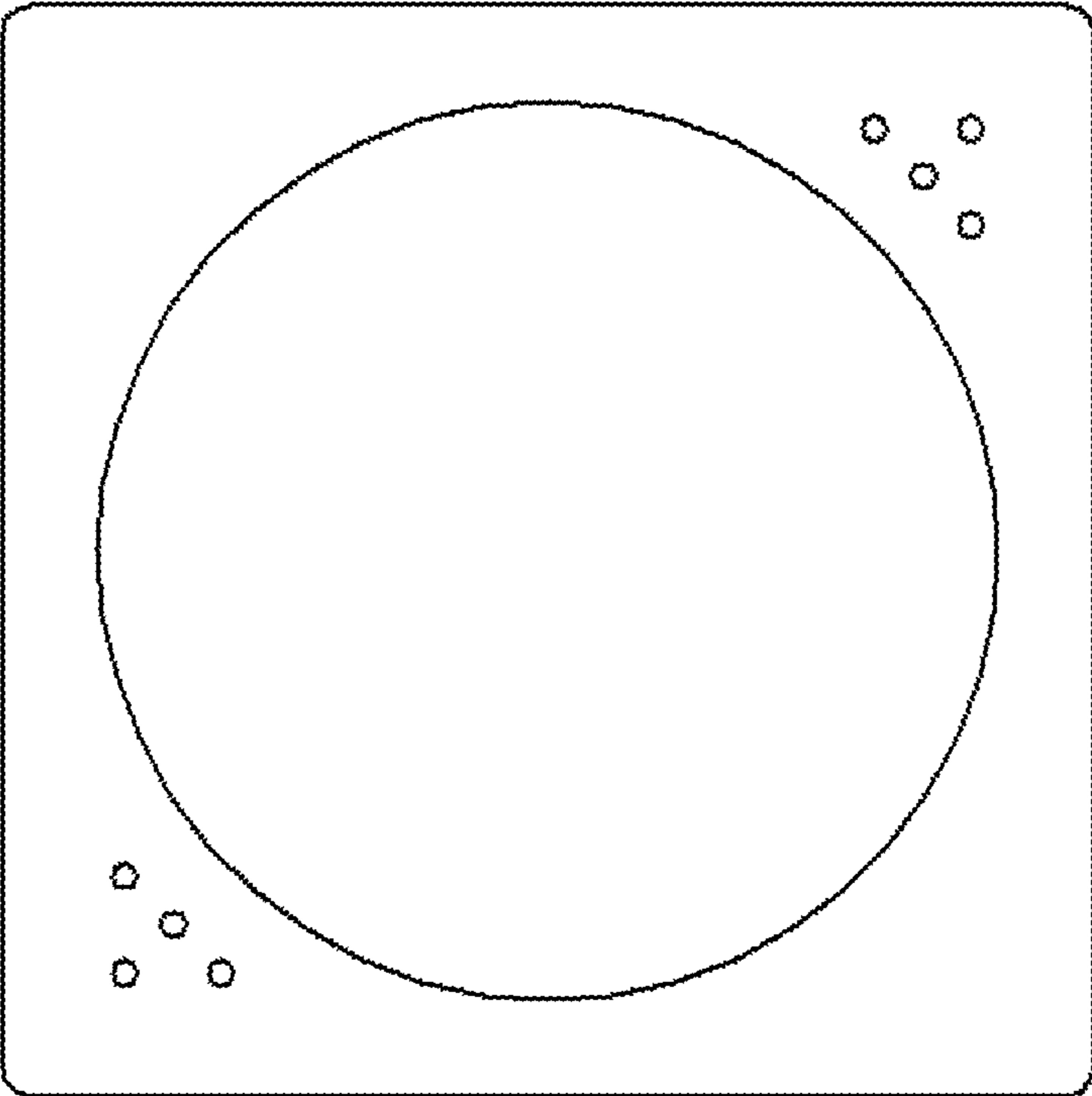


FIG. 5

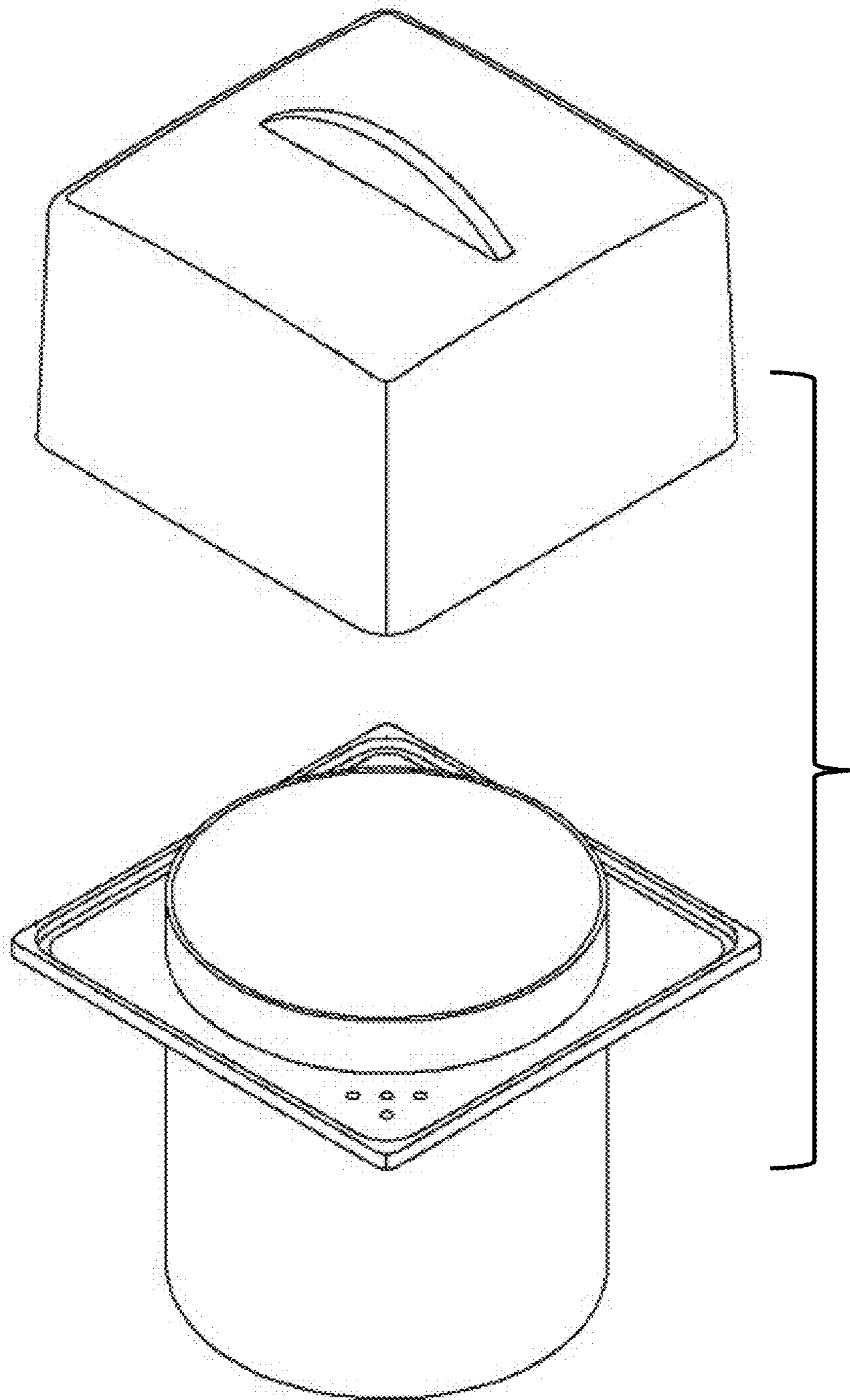


FIG. 6

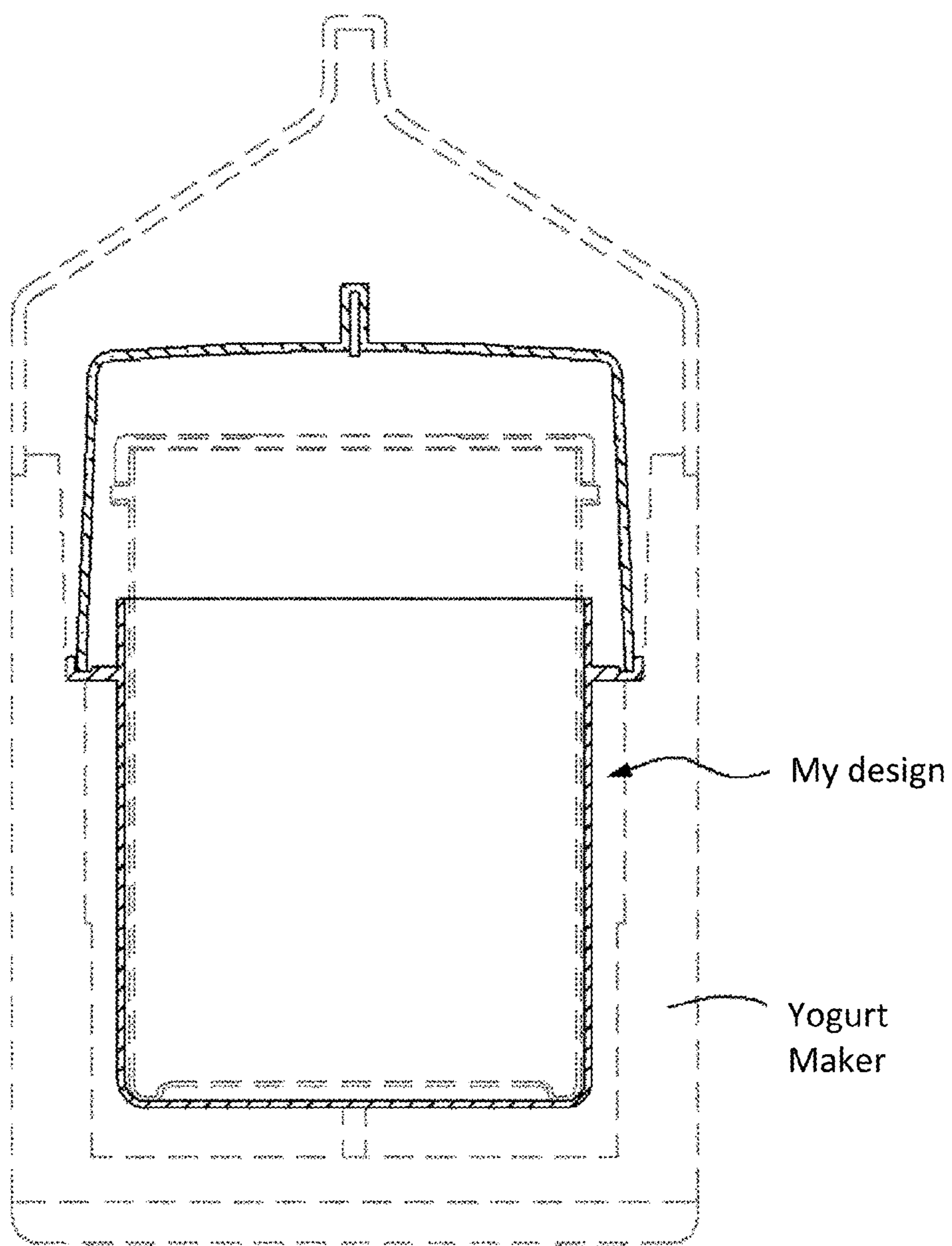


FIG. 7