



US00D760533S

(12) **United States Design Patent**
Kim

(10) **Patent No.:** **US D760,533 S**
(45) **Date of Patent:** **** Jul. 5, 2016**

(54) **YOGURT MAKER**
(71) Applicant: **Whostyle**, Seoul (KR)
(72) Inventor: **Jin Seok Kim**, Seoul (KR)
(73) Assignee: **WHOSTYLE**, Seoul (KR)
(**) Term: **14 Years**
(21) Appl. No.: **29/507,235**
(22) Filed: **Oct. 24, 2014**

(30) **Foreign Application Priority Data**
Apr. 25, 2014 (KR) 30-2014-0021140

(51) **LOC (10) Cl.** **31-00**
(52) **U.S. Cl.**
USPC **D7/370**

(58) **Field of Classification Search**
USPC D7/323, 370-372, 376-386, 412-413,
D7/602, 629, 644, 665-667, 669, 679,
D7/693-694; D9/425, 532; D19/77
CPC A01J 25/115; A21C 1/02; A21C 1/04;
A23G 9/12; A23N 1/00; A23N 1/02; A47G
23/0258; A47J 43/04; A47J 43/25; A47J
43/27; A47J 43/042; A47J 43/044; A47J
43/046; A47J 43/075; A47J 43/0722; A47J
43/0727; B01F 3/00; B01F 3/0807; B01F
3/0853; B01F 13/0059; B01F 13/0064;
B02C 1/08; B02C 2/04; B02C 4/42; B02C
4/142; B02C 4/143; B02C 4/423; B02C
13/1835; B28C 5/10; B28C 5/12; B28C 5/14;
B28C 5/16; B65D 5/069; B65D 21/0219
See application file for complete search history.

(56) **References Cited**
U.S. PATENT DOCUMENTS
3,217,967 A * 11/1965 Jackson B65D 5/069
229/125.08
3,463,380 A * 8/1969 Cooperstein B65D 5/069
229/125.08

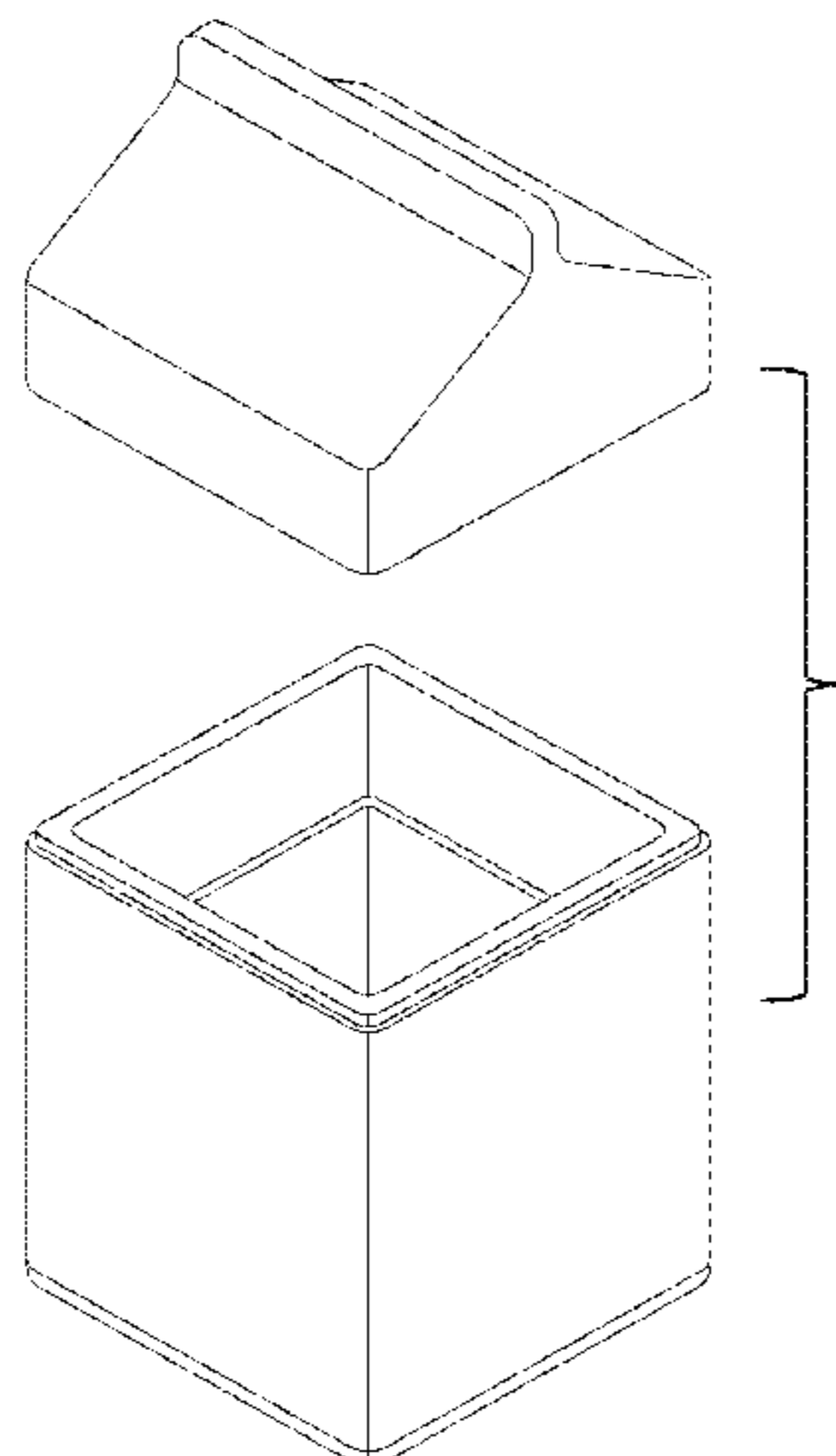
3,488,078 A * 1/1970 Cooperstein A47G 23/0258
294/31.2
4,793,549 A * 12/1988 Wald B65D 5/069
229/125.37
D351,792 S * 10/1994 Morris, Sr. D9/425
5,373,779 A * 12/1994 Grusin A01J 25/115
210/469
D362,180 S * 9/1995 Haines D9/529
5,829,344 A * 11/1998 Lande A23G 9/12
366/146
5,896,993 A * 4/1999 Nask B65D 21/0219
206/508
6,012,383 A * 1/2000 Lande' A23G 9/12
366/146
6,213,007 B1 * 4/2001 Lande A23G 9/12
366/146
6,439,453 B1 * 8/2002 Ramsay B65D 5/069
229/125.12
D527,424 S * 8/2006 Long D19/77

* cited by examiner
Primary Examiner — Ricky Pham
(74) *Attorney, Agent, or Firm* — Rabin & Berdo, P.C.

(57) **CLAIM**
The ornamental design for a yogurt maker, as shown and described.

DESCRIPTION
FIG. 1 is a perspective view of a yogurt maker showing my new design;
FIG. 2 is a front elevational view thereof, the rear elevational view being a minor image.
FIG. 3 is a left side elevational view thereof, the right side elevational view being a mirror image.
FIG. 4 is a top view thereof;
FIG. 5 is a bottom view thereof;
FIG. 6 is an exploded view thereof; and,
FIG. 7 is a cross-sectional view thereof taken along lines A-A of FIG. 4.
Broken lines are included herein for illustrative purposes only and form no part of the claimed design.

1 Claim, 7 Drawing Sheets



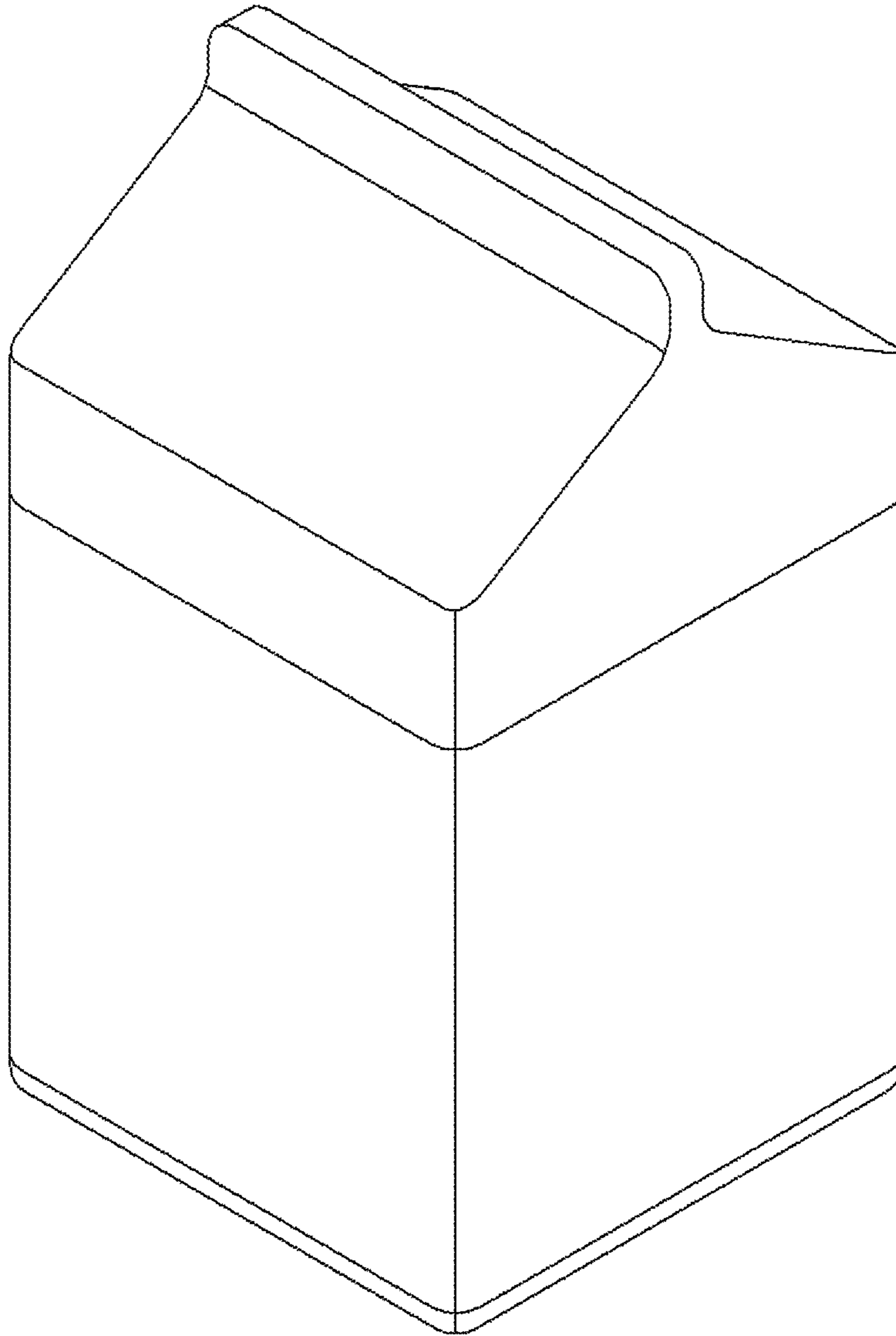


FIG. 1

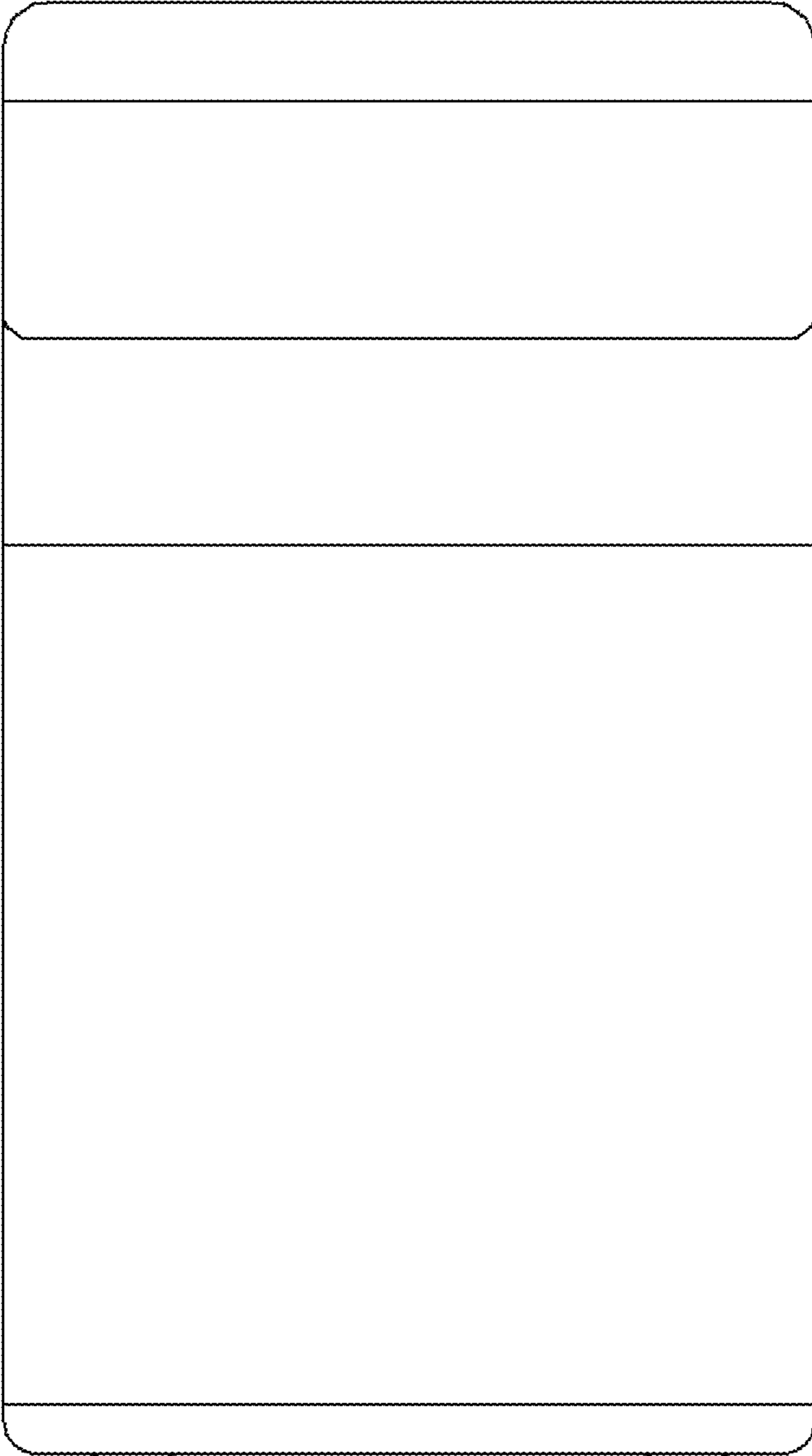


FIG. 2

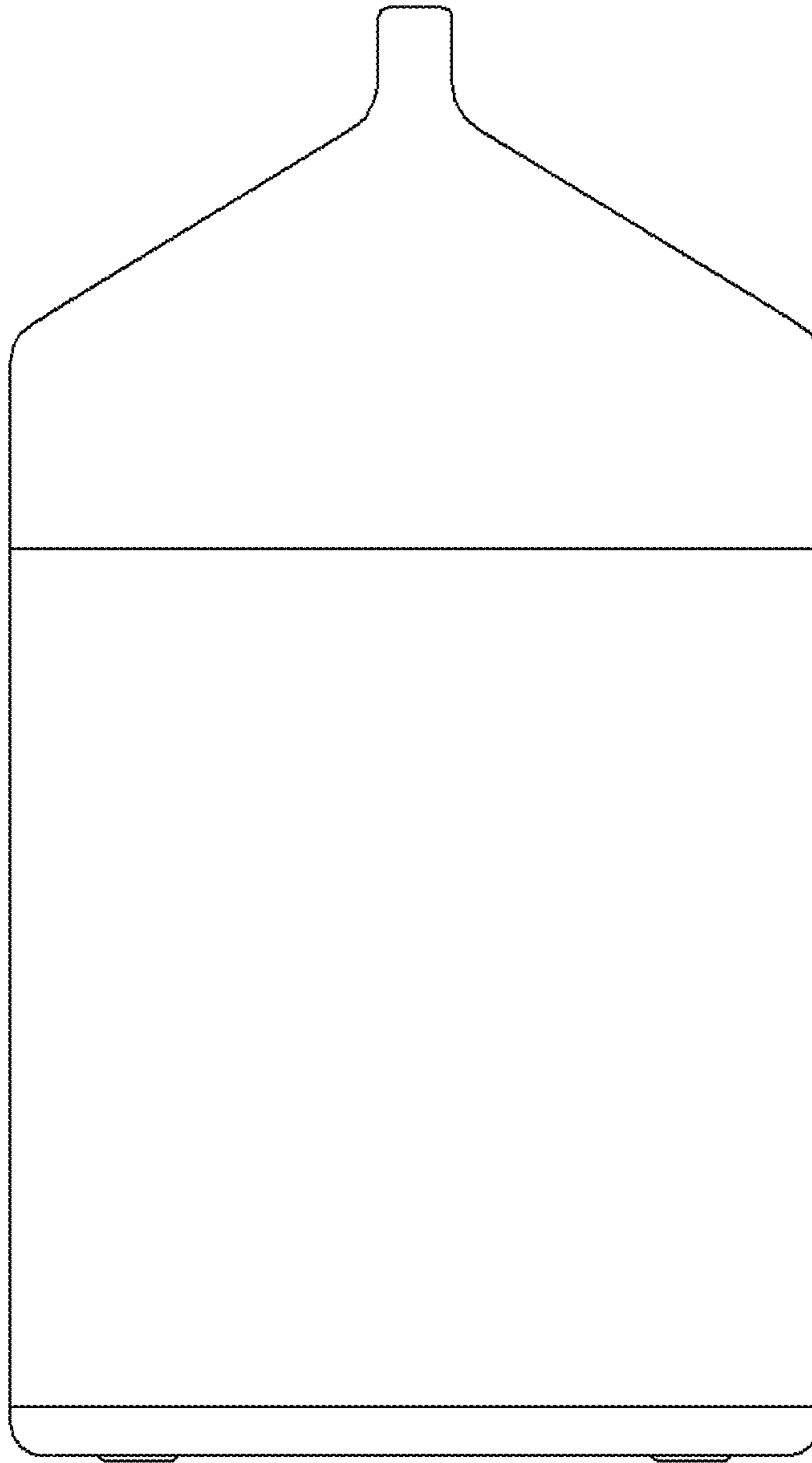


FIG. 3

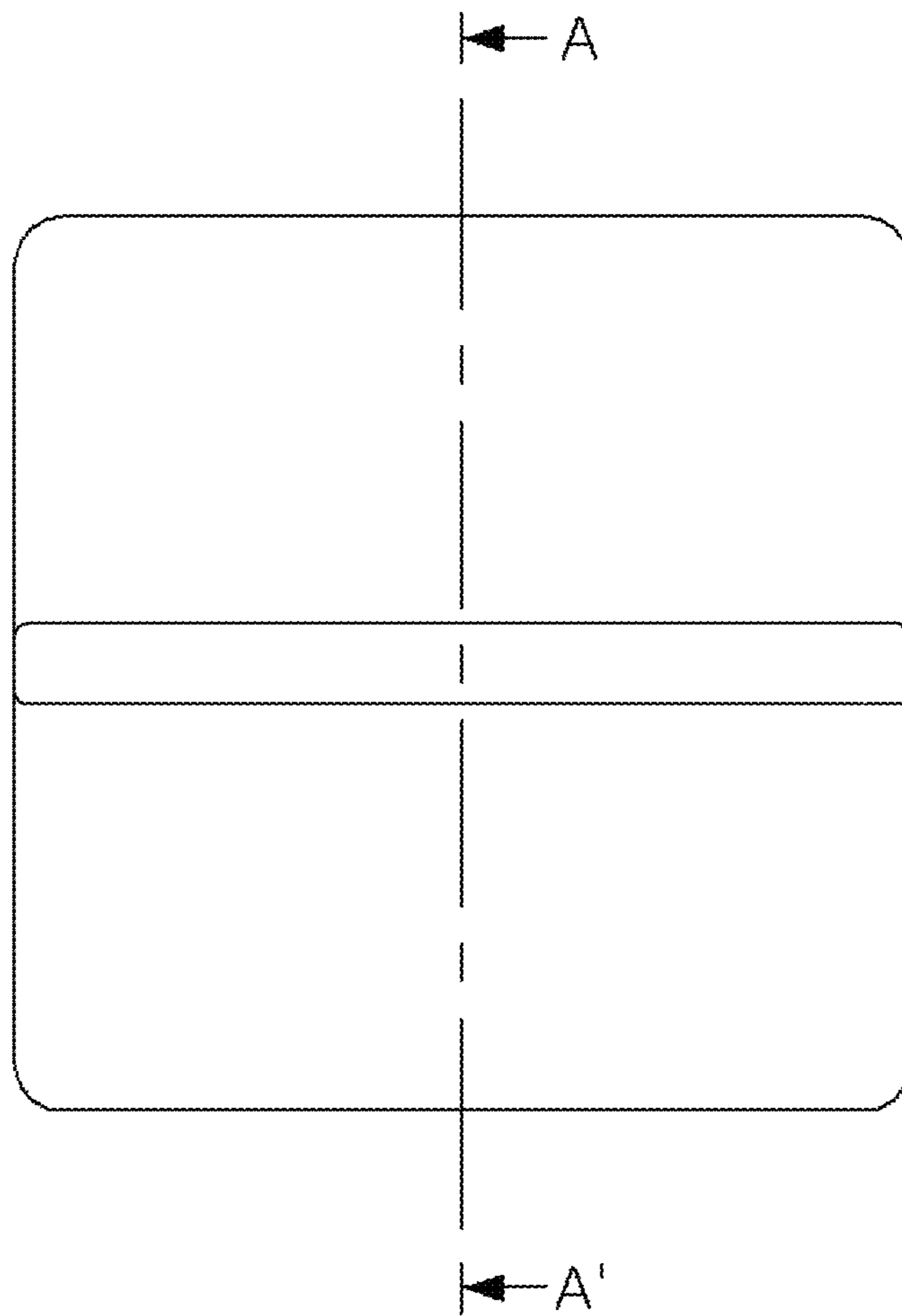


FIG. 4

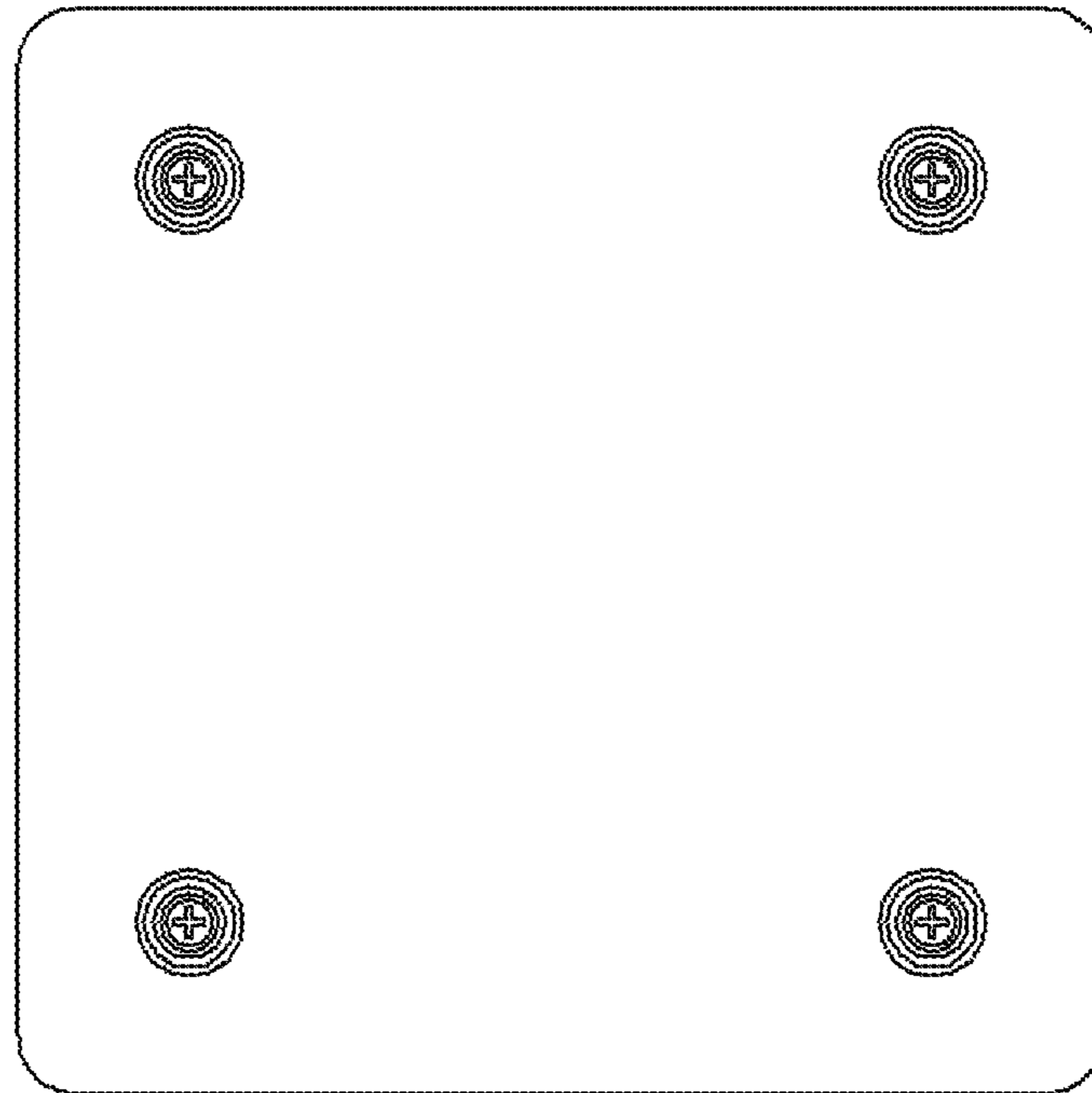


FIG. 5

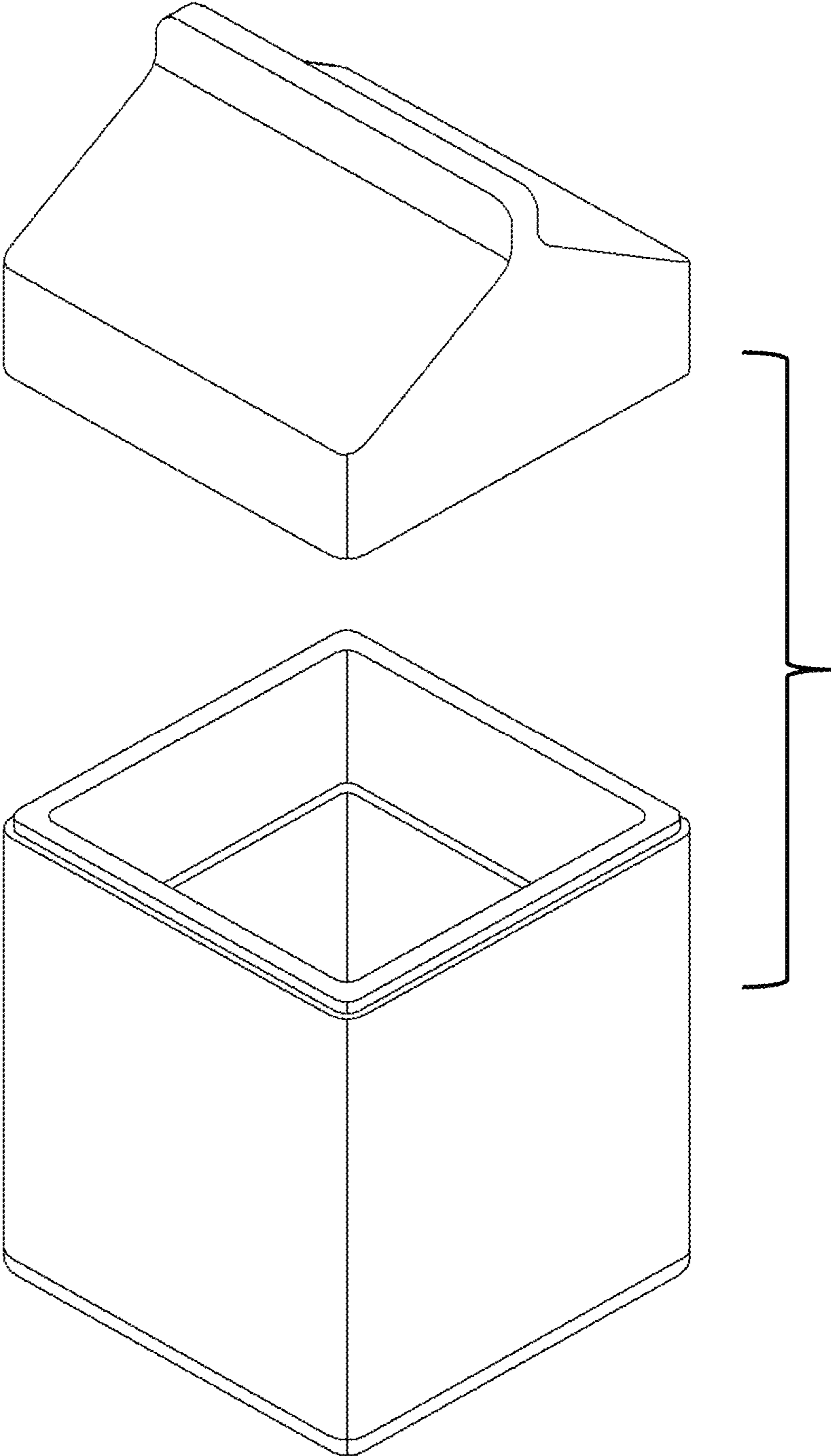


FIG. 6

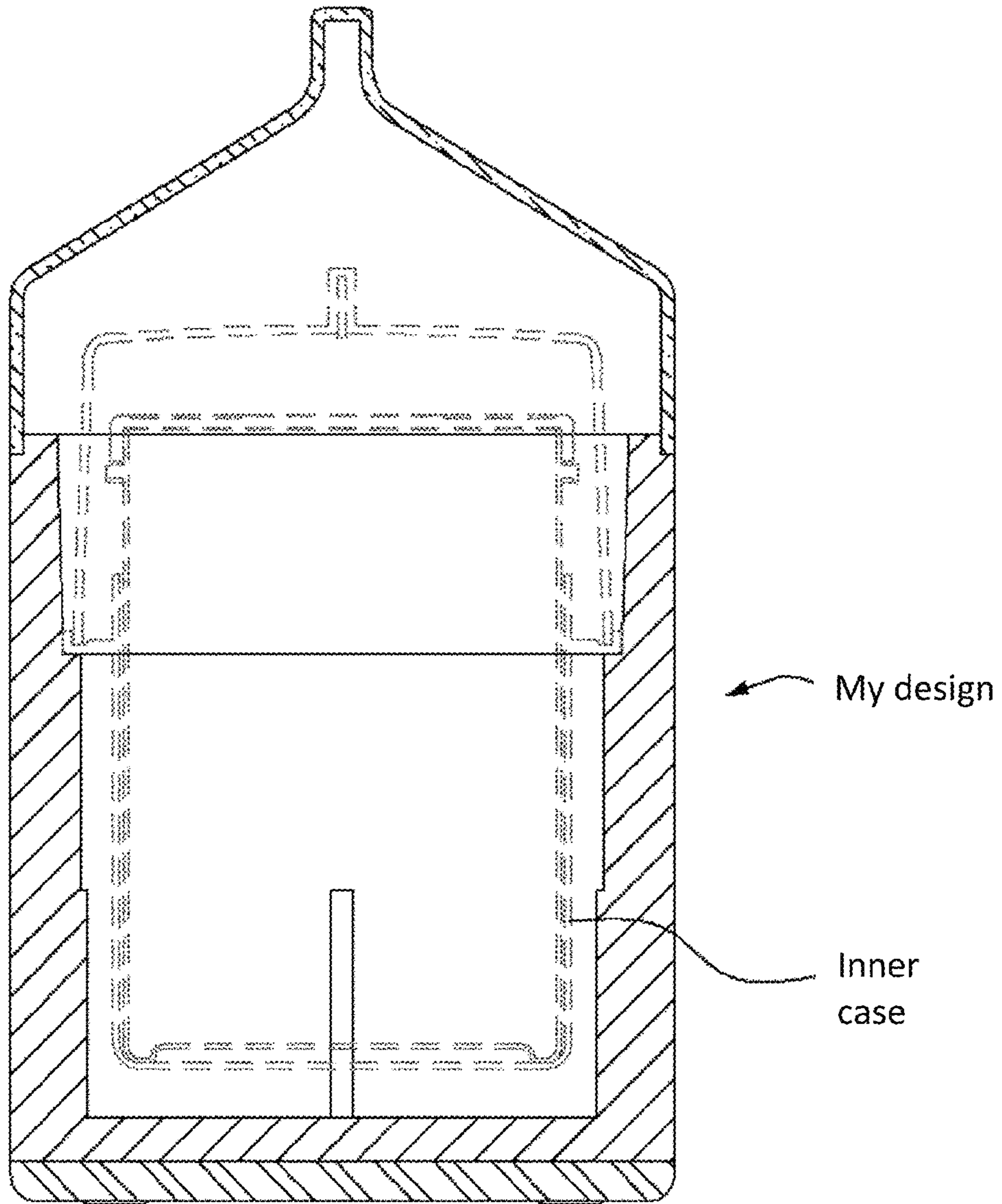


FIG. 7