

US00D760531S

(12) **United States Design Patent**  
**Scheer**

(10) **Patent No.:** **US D760,531 S**

(45) **Date of Patent:** **\*\* Jul. 5, 2016**

(54) **BARBECUE DRUM SMOKER**

(71) Applicant: **Gateway BBQ Store, LLC,**  
Washington, MO (US)

(72) Inventor: **Timothy Joseph Scheer,** New Haven,  
MO (US)

(73) Assignee: **GATEWAY BBQ STORE, LLC,**  
Washington, MO (US)

(\*\*) Term: **14 Years**

(21) Appl. No.: **29/491,898**

(22) Filed: **May 27, 2014**

(51) **LOC (10) Cl.** ..... **07-02**

(52) **U.S. Cl.**

USPC ..... **D7/332**

(58) **Field of Classification Search**

USPC ..... D7/332, 334-337, 402-405, 417, 338,  
D7/348; 126/275 E; D9/433

CPC ..... A47J 37/0704; A47J 37/0763; A47J  
37/0745; A47J 37/0713; A47J 37/0768;  
A47J 37/079; A47J 36/26; A47J 39/00;  
F24B 1/205; F24B 1/02; F24B 15/04; F24C  
3/14; F24C 3/027; F24C 15/08; F47J 33/00;  
B65D 7/26; B65D 7/24; B65D 85/1045;  
B65D 85/18

See application file for complete search history.

(56) **References Cited**

**U.S. PATENT DOCUMENTS**

D222,310 S \* 10/1971 Zaunbrecher ..... D7/332  
D463,948 S \* 10/2002 Innes ..... D7/332  
D486,348 S \* 2/2004 Zhu ..... D7/332  
D550,022 S \* 9/2007 Amajuwon ..... D7/332

D653,074 S \* 1/2012 Difante ..... D7/354  
2007/0199555 A1 \* 8/2007 Gregory ..... F24C 1/16  
126/9 R

\* cited by examiner

*Primary Examiner* — Ruth McInroy

(74) *Attorney, Agent, or Firm* — Grant R. Folkmann

(57) **CLAIM**

The ornamental design for a barbecue drum smoker, as shown and described.

**DESCRIPTION**

FIG. 1 is a top perspective view of a barbecue drum smoker showing my new design;

FIG. 2 is a front view of FIG. 1;

FIG. 3 is a top view of FIG. 1;

FIG. 4 is a top perspective view of a barbecue drum smoker lid;

FIG. 5 is a side view of FIG. 4;

FIG. 6 is a front view of FIG. 4;

FIG. 7 is a top view of FIG. 4;

FIG. 8 is a top perspective view of an intake-exhaust tube with flange and flange covering;

FIG. 9 is a top perspective view of FIG. 8 without the flange and flange covering;

FIG. 10 is a front view of FIG. 9;

FIG. 11 is a side view of FIG. 9;

FIG. 12 is a top perspective view of an intake-exhaust flange;

FIG. 13 is a top view of FIG. 12, the bottom view is identical;

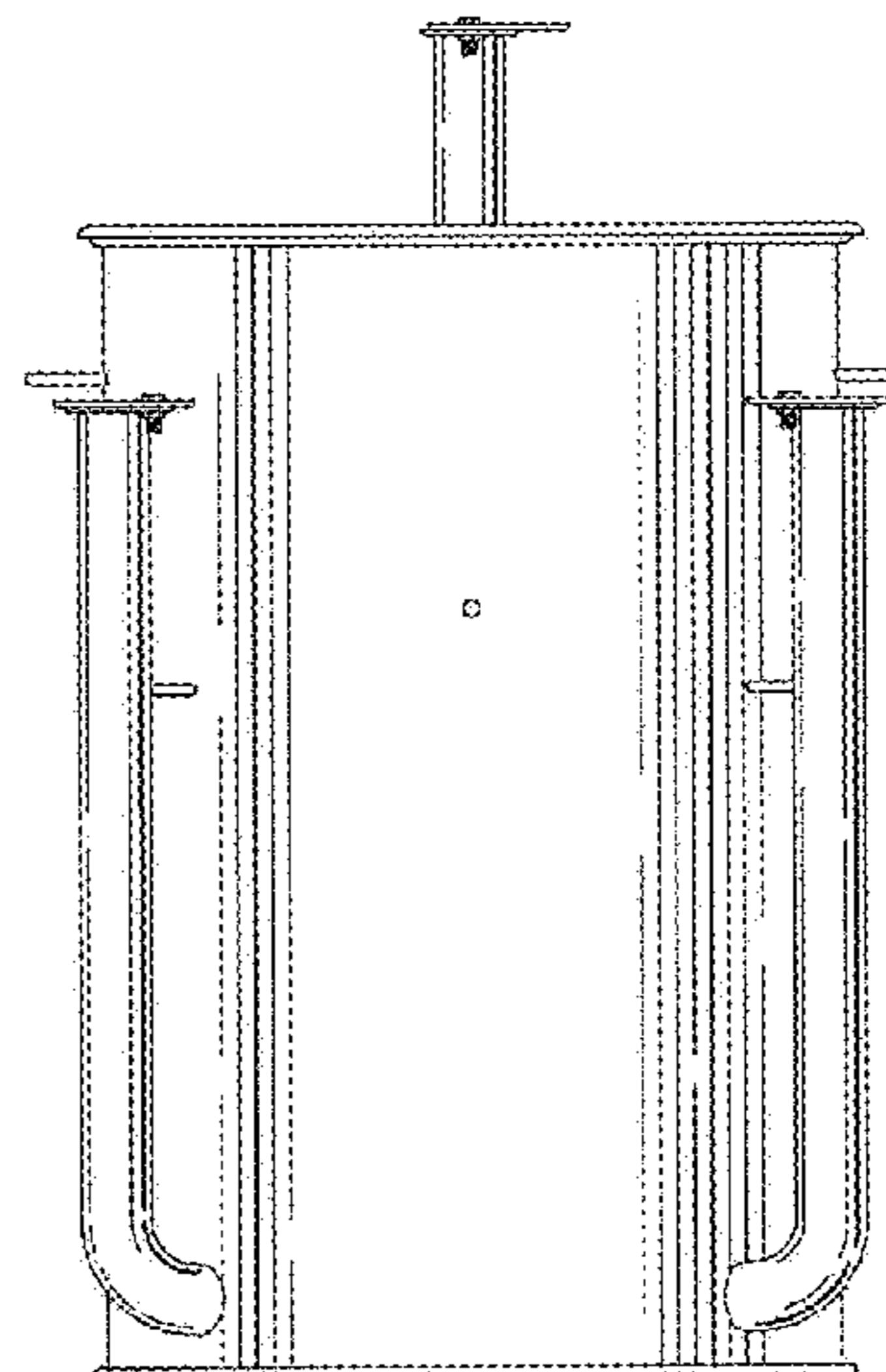
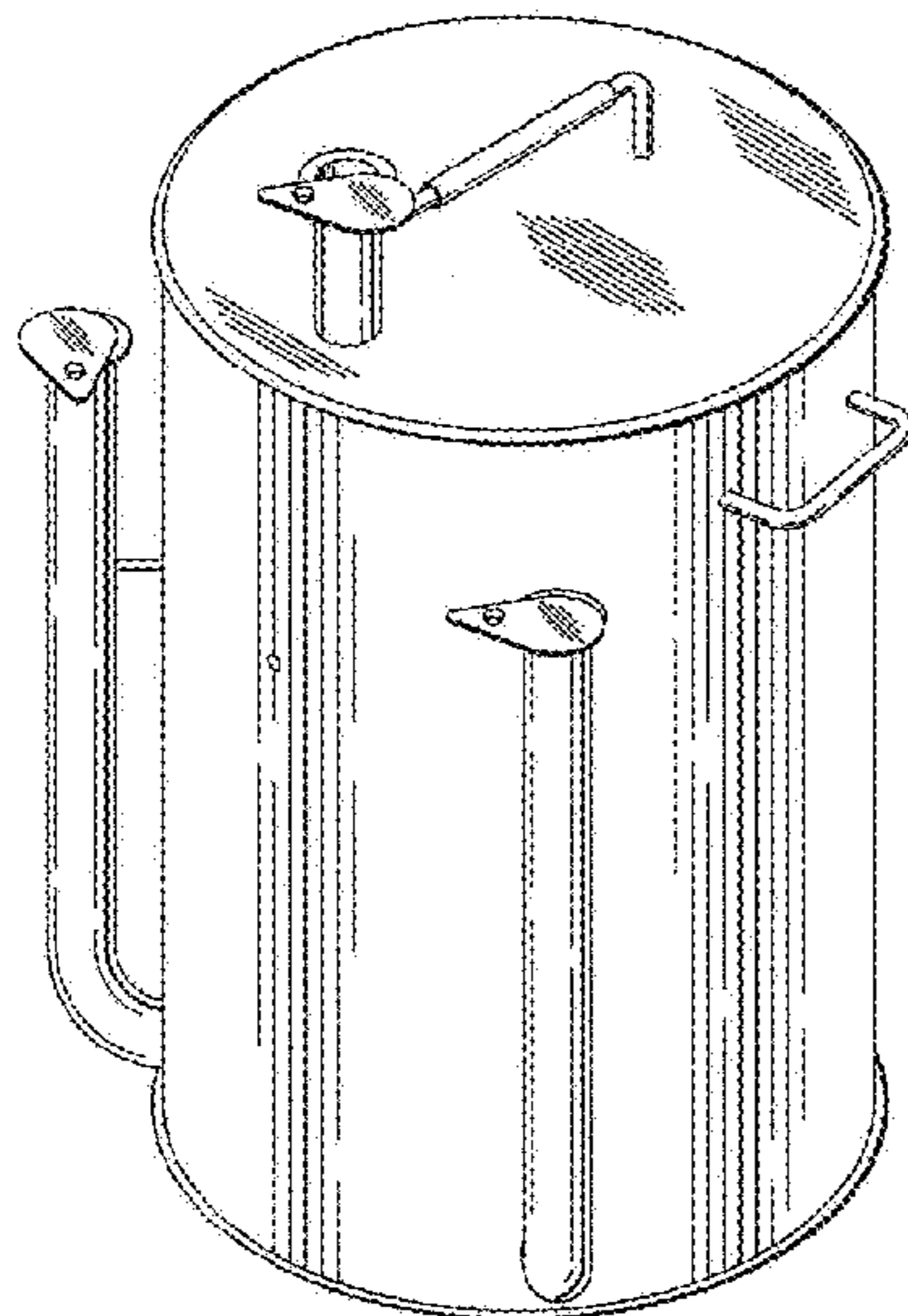
FIG. 14 is a top perspective view of an intake-exhaust flange covering; and,

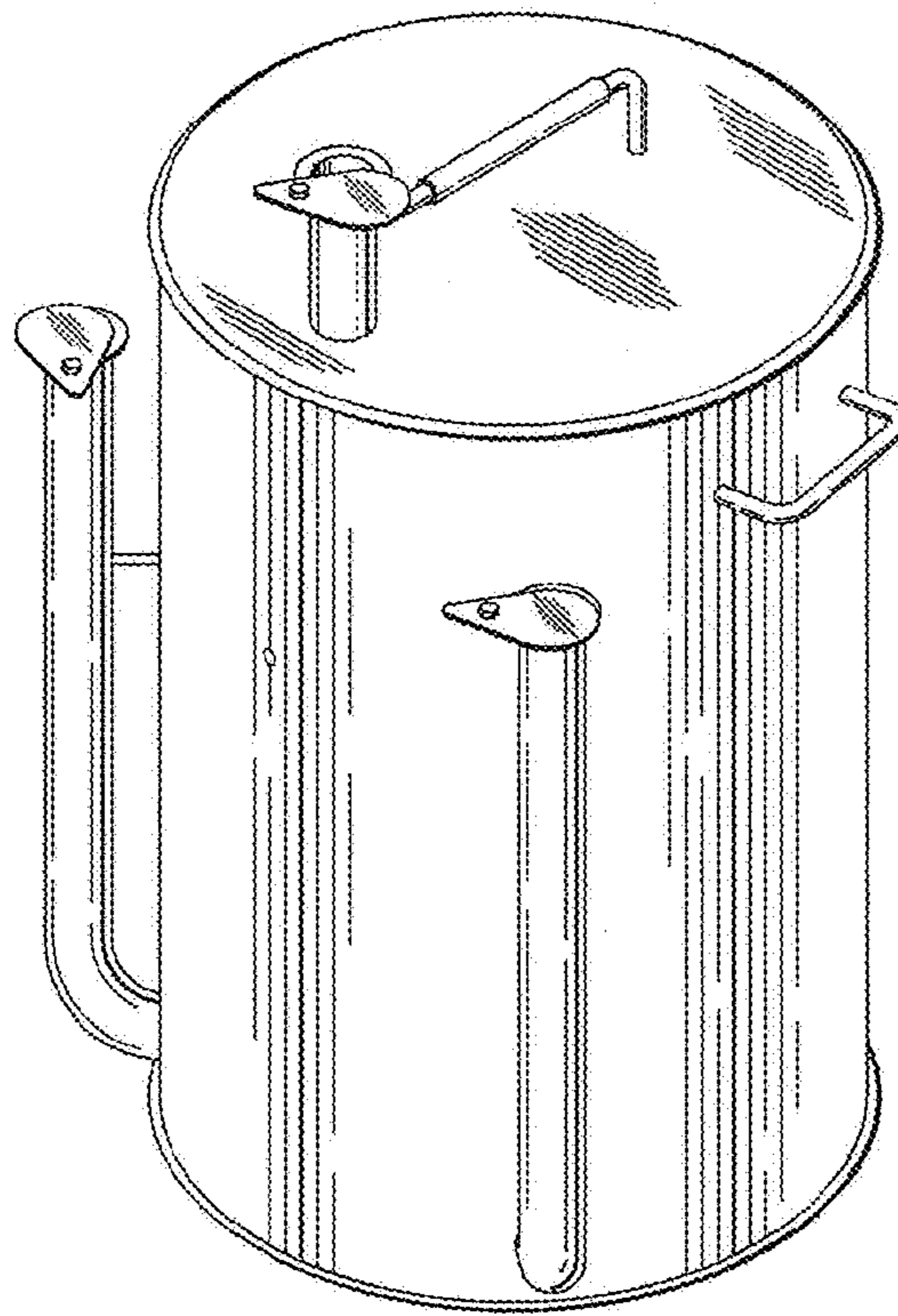
FIG. 15 is a top view of FIG. 14, the bottom view being identical.

The claim is shown in full assembly in FIGS. 1-3. FIGS. 4-15 are shown separate for clarity of illustration.

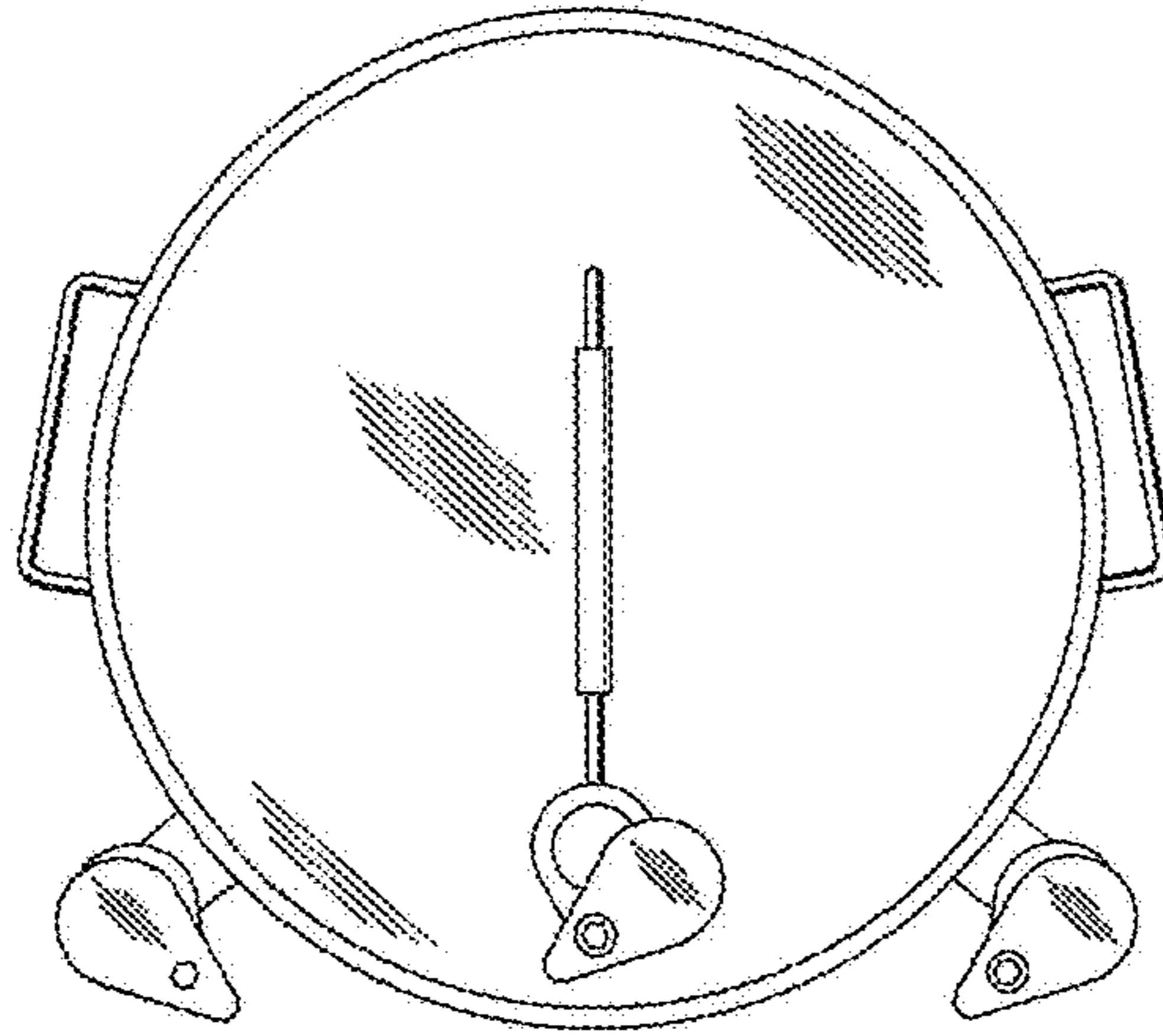
The bottom of the design is plain and unornamental.

**1 Claim, 7 Drawing Sheets**

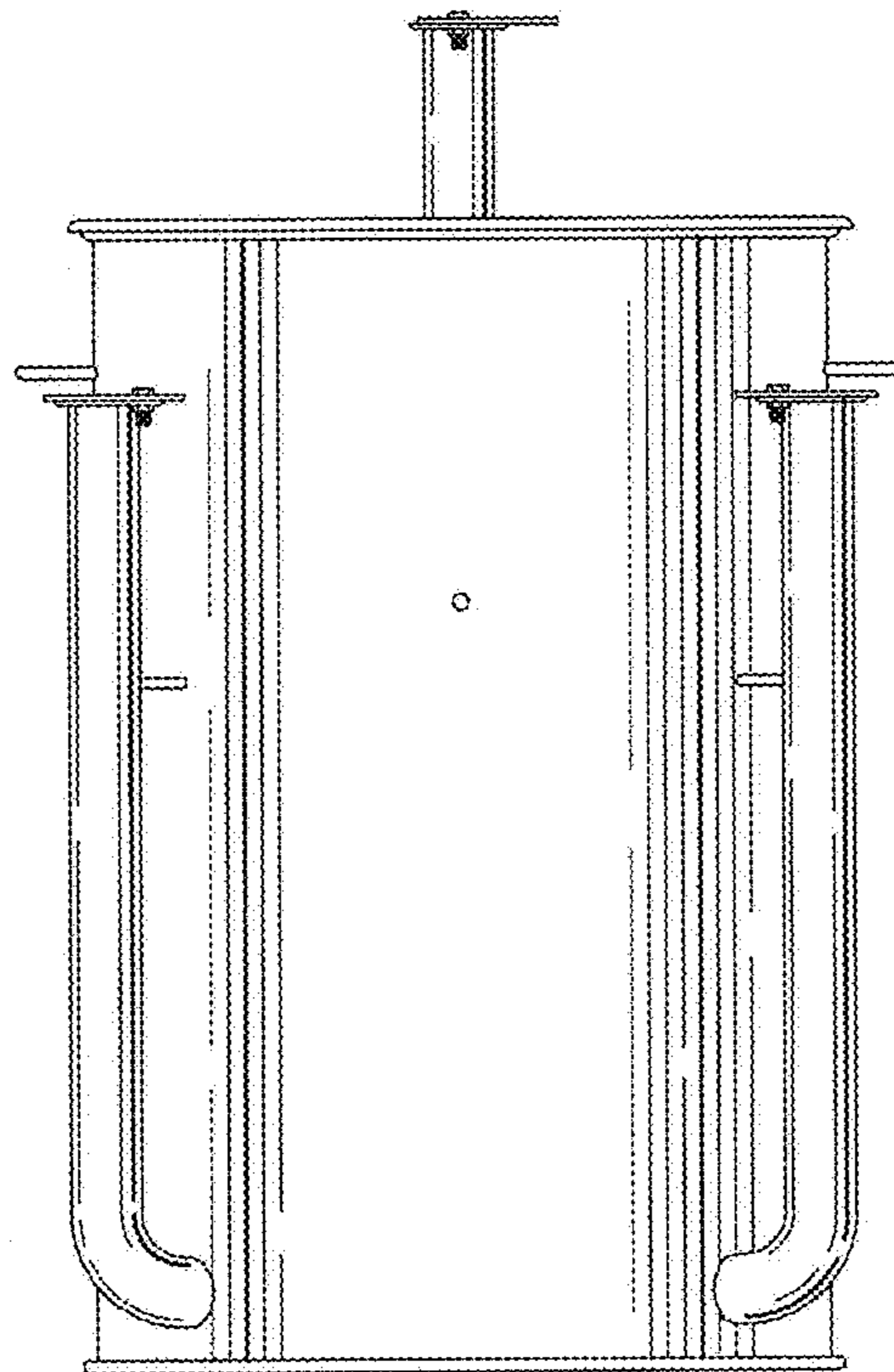




*Fig. 1*



*Fig. 3*



*Fig. 2*

FIG. 7

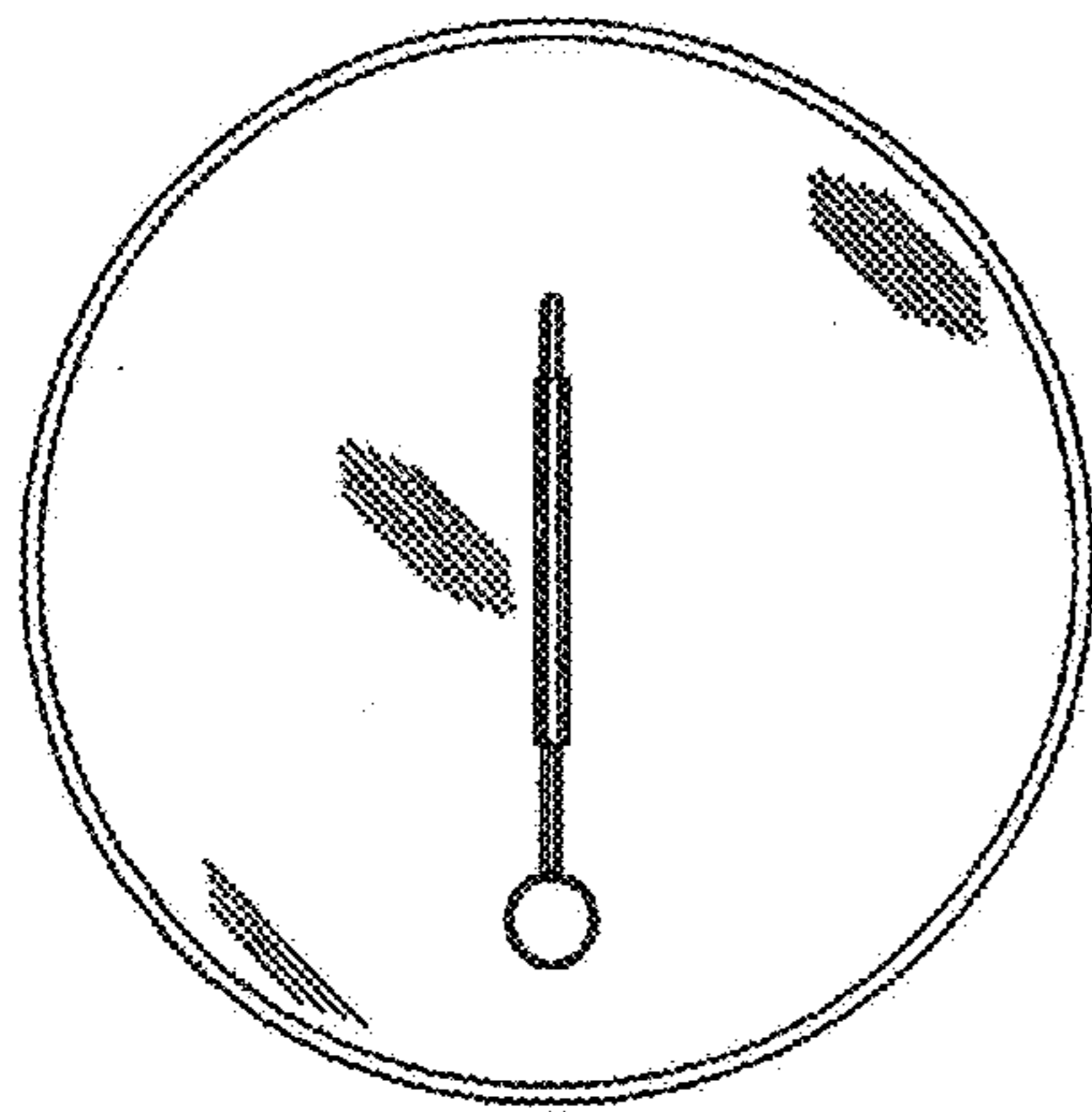


FIG. 4

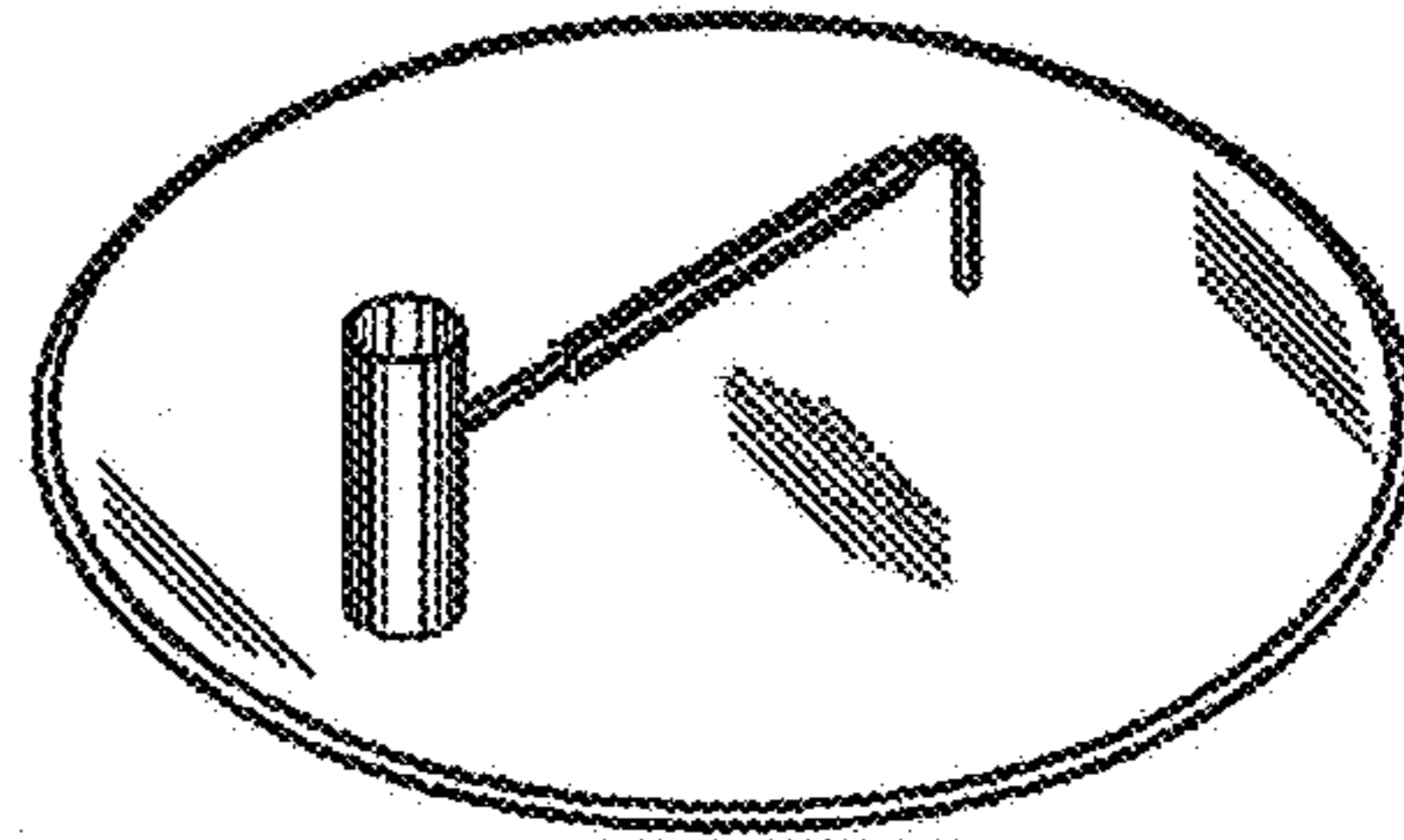


FIG. 6

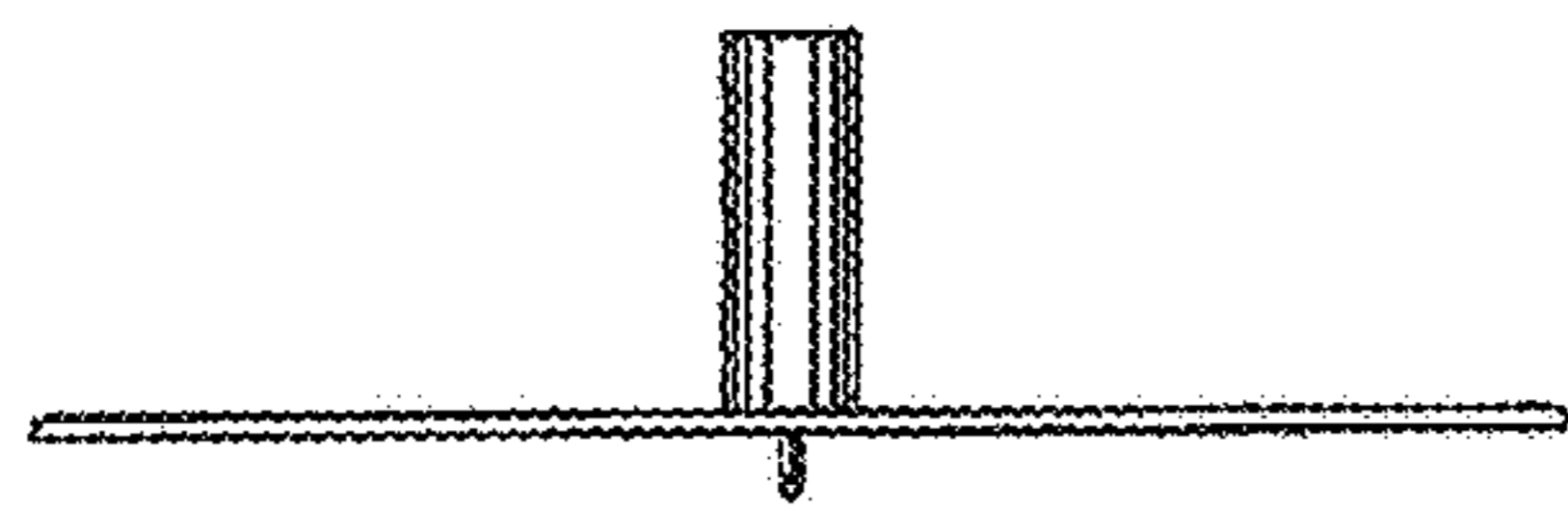


FIG. 5

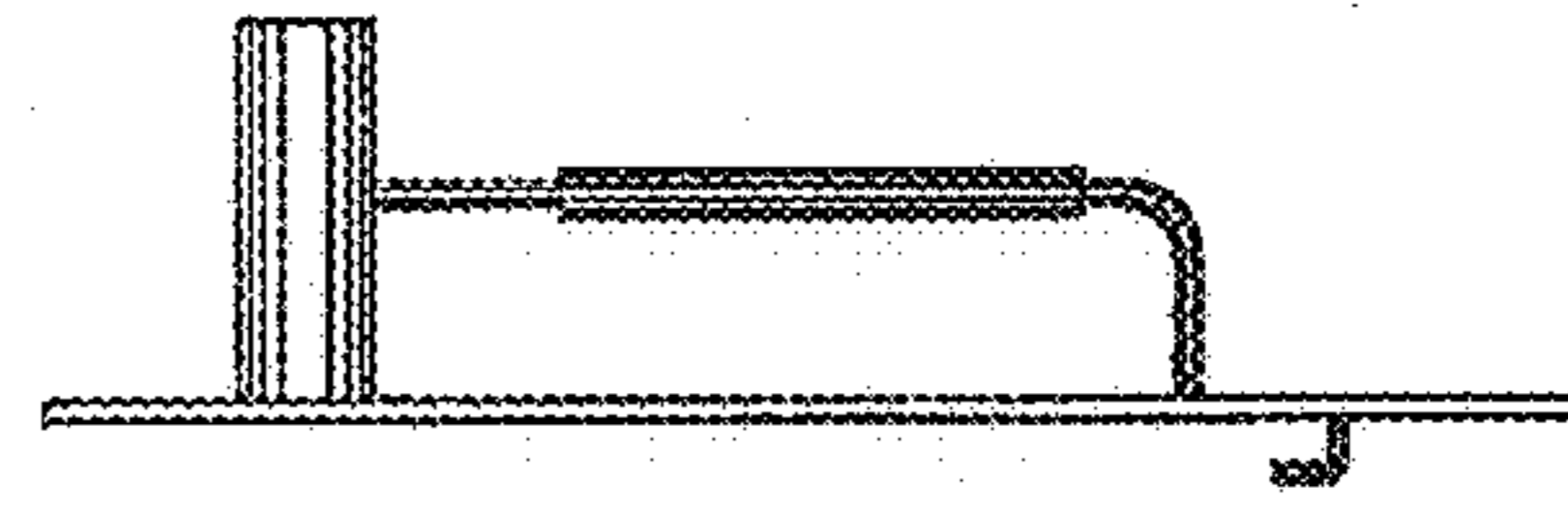


FIG. 8

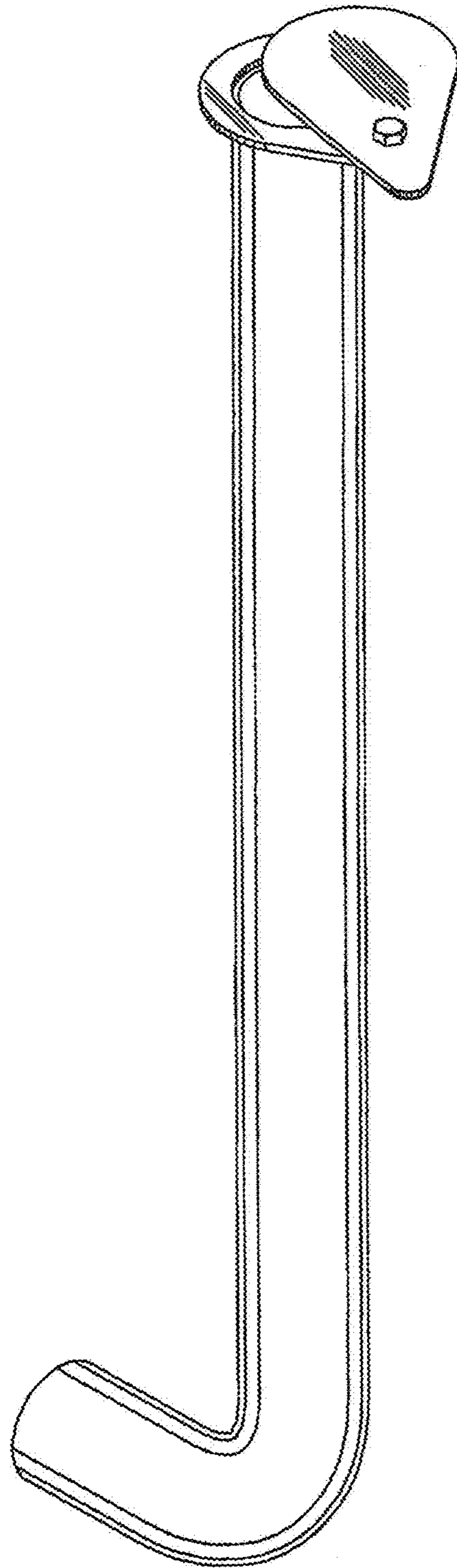


FIG. 11

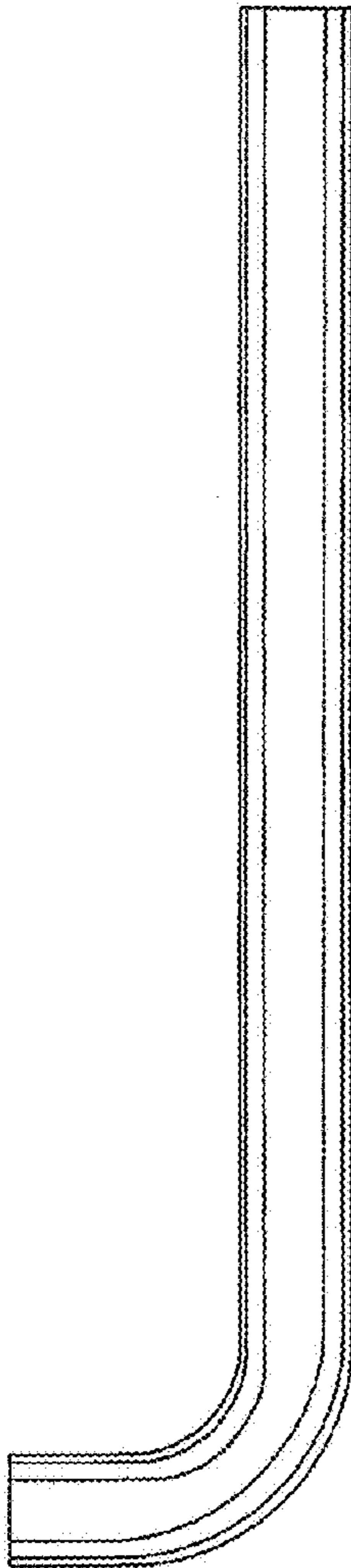


FIG. 10



FIG. 9

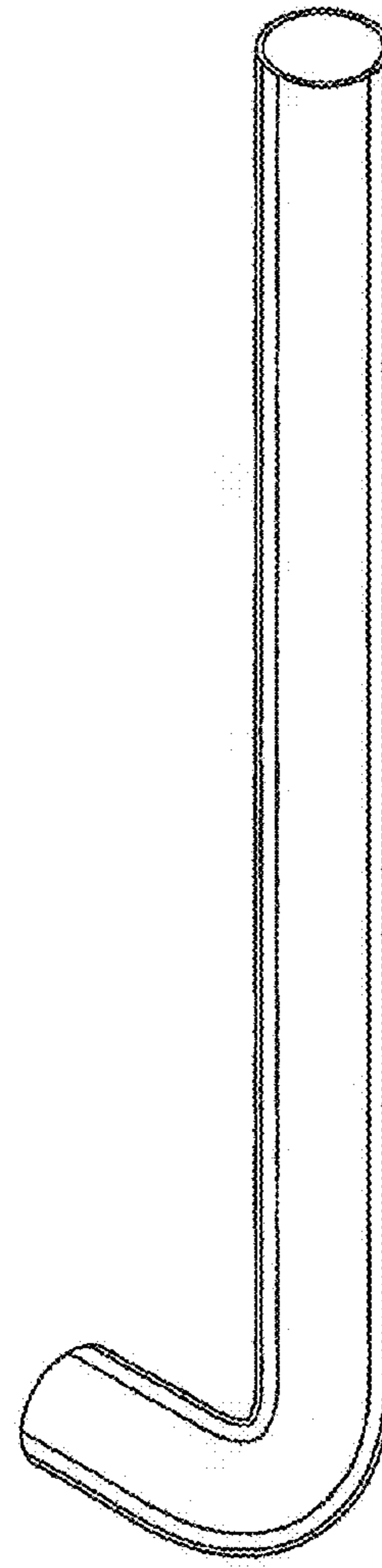


FIG. 13

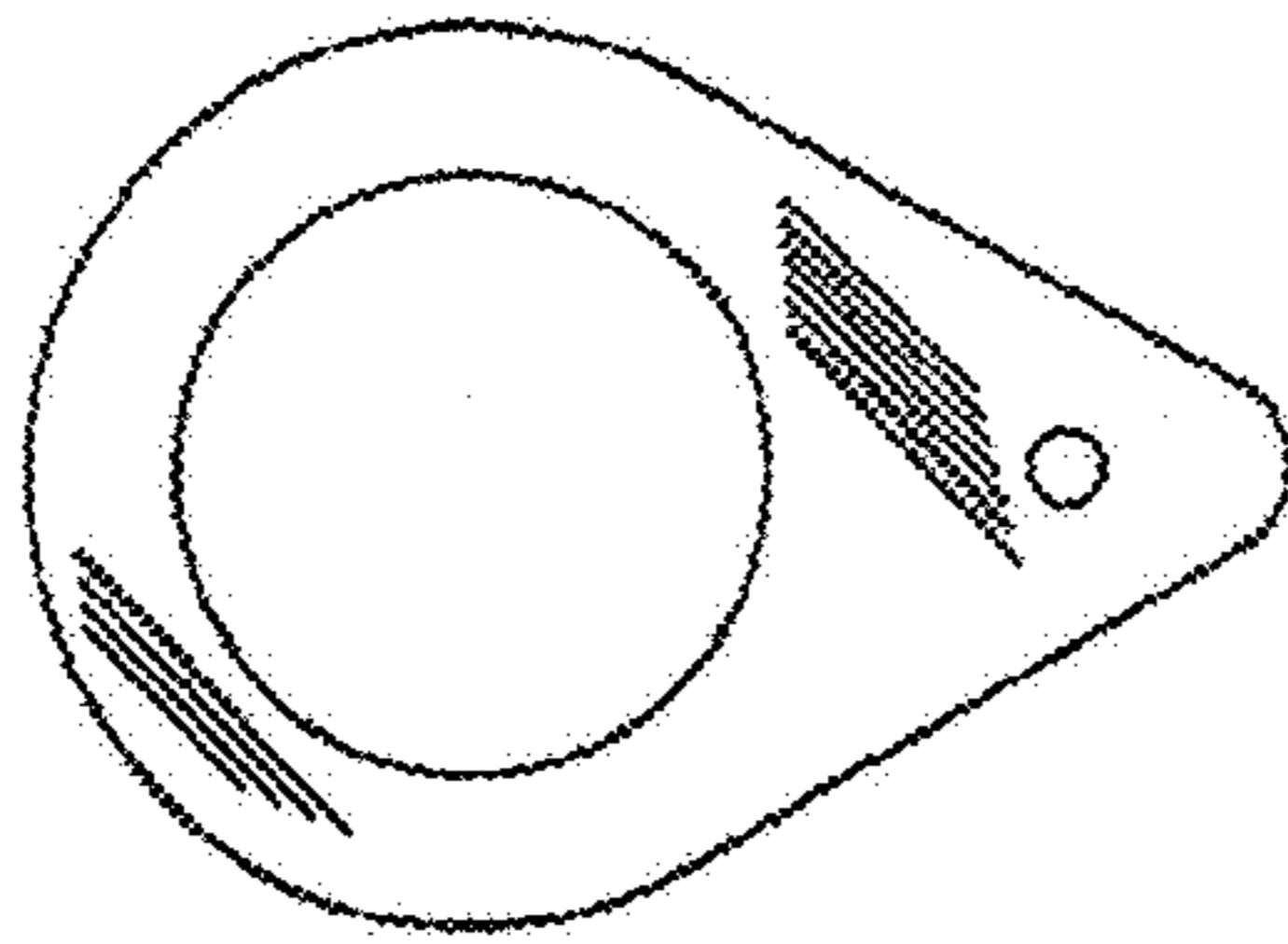


FIG. 12

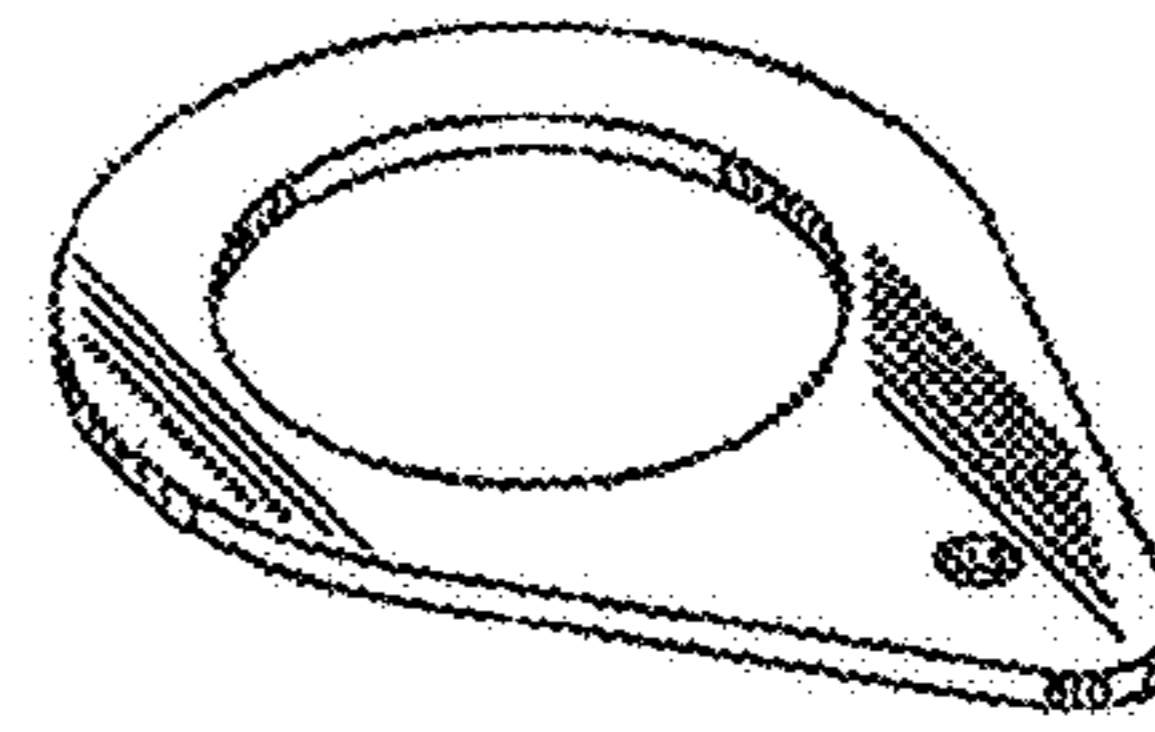


FIG. 15

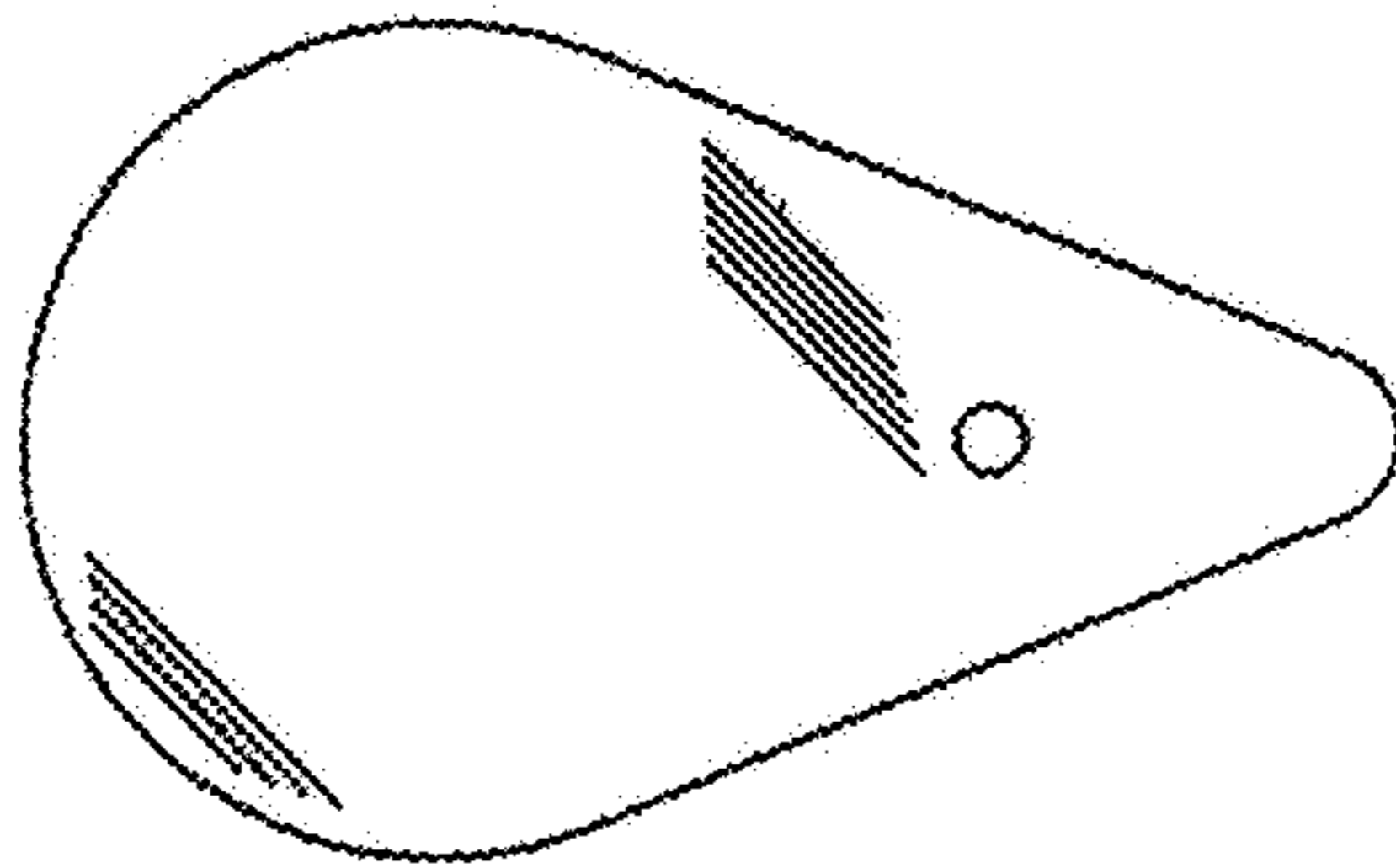


FIG. 14

