



US00D760529S

(12) **United States Design Patent**  
**Hakansson**

(10) **Patent No.:** **US D760,529 S**  
(45) **Date of Patent:** **\*\* Jul. 5, 2016**

- (54) **COFFEE MAKER**
- (71) Applicant: **OBH Nordica IP A/S**, Taastrup (DK)
- (72) Inventor: **Lars Hakansson**, Stockholm (SE)
- (73) Assignee: **OBH Nordica IP A/S**, Taastrup (DK)
- (\*\*) Term: **14 Years**
- (21) Appl. No.: **29/513,335**
- (22) Filed: **Dec. 30, 2014**
- (30) **Foreign Application Priority Data**  
Nov. 25, 2014 (EM) ..... 002584367
- (51) **LOC (10) Cl.** ..... **07-01**
- (52) **U.S. Cl.**  
USPC ..... **D7/306**; D7/311; D7/309
- (58) **Field of Classification Search**  
USPC ..... D7/306-311, 305, 300, 397, 398, 399,  
D7/400; 99/279, 284, 290, 280, 299, 307,  
99/297, 295, 323, 275, 281, 300, 302 R;  
426/433; D20/4, 5, 1  
CPC ..... A47J 31/44; A47J 31/00; A47J 31/46;  
A47J 31/10; A47J 31/56; A47J 31/42; A47J  
431/4482; A47J 27/2105; A47J 31/4403;  
A47J 31/32; A47J 31/4457; B65D 81/3266  
See application file for complete search history.

- (56) **References Cited**  
**U.S. PATENT DOCUMENTS**  
D209,126 S \* 10/1967 Martin ..... D7/309  
D209,127 S \* 10/1967 Martin ..... D7/309  
D232,410 S \* 8/1974 Rakocy ..... D7/309  
D234,901 S \* 4/1975 Mantelet ..... D7/309  
D239,758 S \* 5/1976 Claxton ..... D7/309  
D243,057 S \* 1/1977 Painter ..... D7/309  
D250,688 S \* 1/1979 Felske ..... D10/2  
D253,987 S \* 1/1980 Painter ..... D7/309

- D270,699 S \* 9/1983 Rakocy ..... D7/309
- D274,400 S \* 6/1984 Muller ..... D7/309
- 4,478,139 A \* 10/1984 Zimmerman ..... A47J 31/057  
99/280
- D291,766 S \* 9/1987 Steinkamp ..... D7/309
- D316,795 S \* 5/1991 Brewer ..... D7/308
- D317,546 S \* 6/1991 Rakocy ..... D7/309
- D454,023 S \* 3/2002 Wang ..... D7/309
- D489,217 S \* 5/2004 Seum ..... D7/309
- D497,278 S \* 10/2004 Picozza ..... D7/309
- D498,110 S \* 11/2004 Picozza ..... D7/309
- D600,062 S \* 9/2009 Lavy ..... D7/309
- D604,087 S \* 11/2009 Lavy ..... D7/309
- D615,339 S \* 5/2010 Bronwasser ..... D7/306
- D628,007 S \* 11/2010 Di Bitonto ..... D7/309
- D630,039 S \* 1/2011 Lin ..... D7/309
- D685,600 S \* 7/2013 White ..... D7/309
- D700,607 S \* 3/2014 Cederstrom ..... D14/420
- D702,237 S \* 4/2014 Oberpriller ..... D14/420
- D732,329 S \* 6/2015 Palermo ..... D7/306
- D735,527 S \* 8/2015 Palermo ..... D7/309

\* cited by examiner

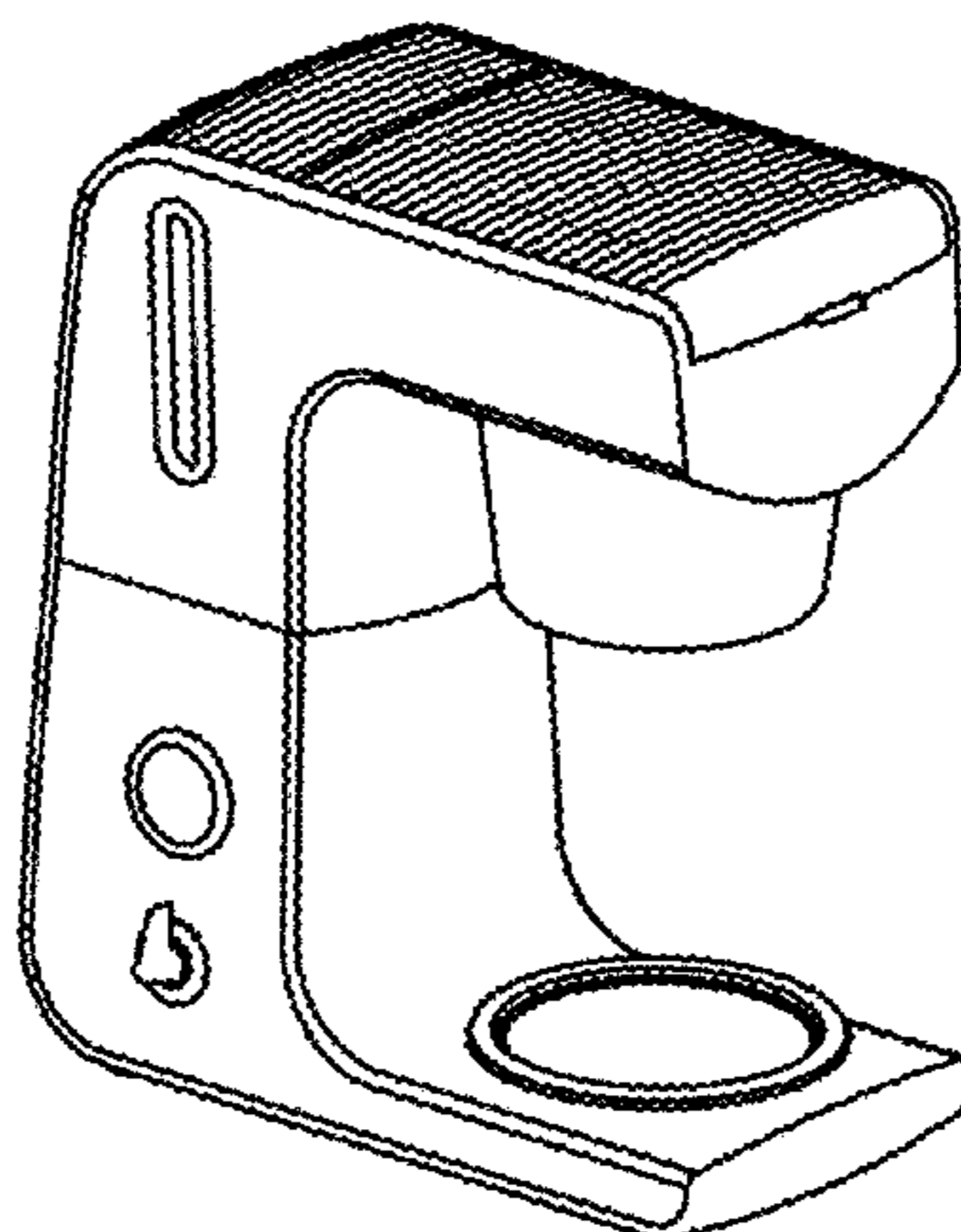
*Primary Examiner* — Marianne Pandozzi  
(74) *Attorney, Agent, or Firm* — Renner, Otto, Boisselle & Sklar, LLP

(57) **CLAIM**  
The ornamental design for a coffee maker, as shown and described.

**DESCRIPTION**

FIG. 1 is a perspective view of a coffee maker showing my design.  
FIG. 2 is a right side view thereof.  
FIG. 3 is a left side view thereof.  
FIG. 4 is a rear view thereof.  
FIG. 5 is a front end view thereof.  
FIG. 6 is a top end view thereof; and,  
FIG. 7 is a bottom view thereof.  
The broken lines depict portion of the coffee maker that form no part of the claimed design.

**1 Claim, 3 Drawing Sheets**



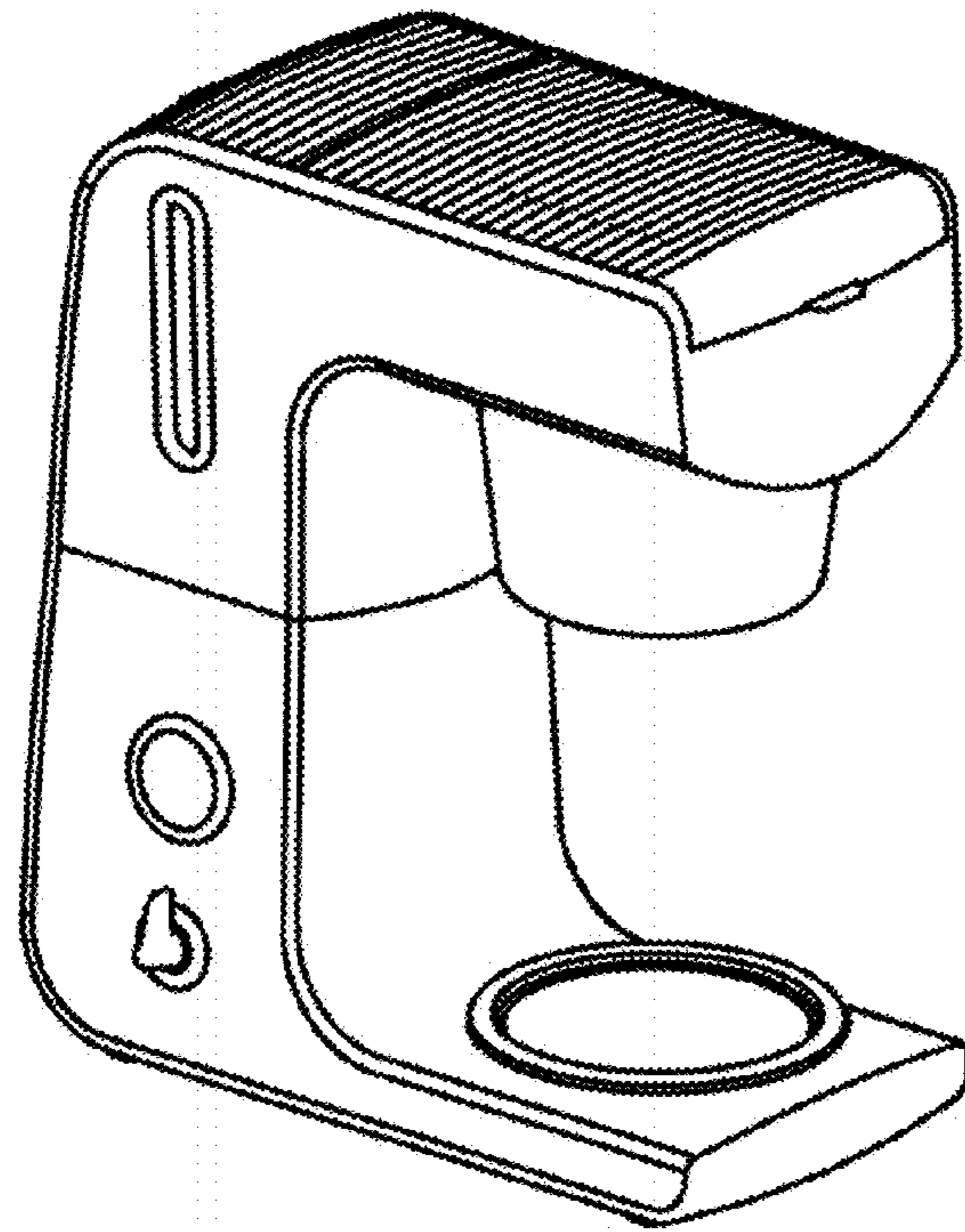


FIG. 1

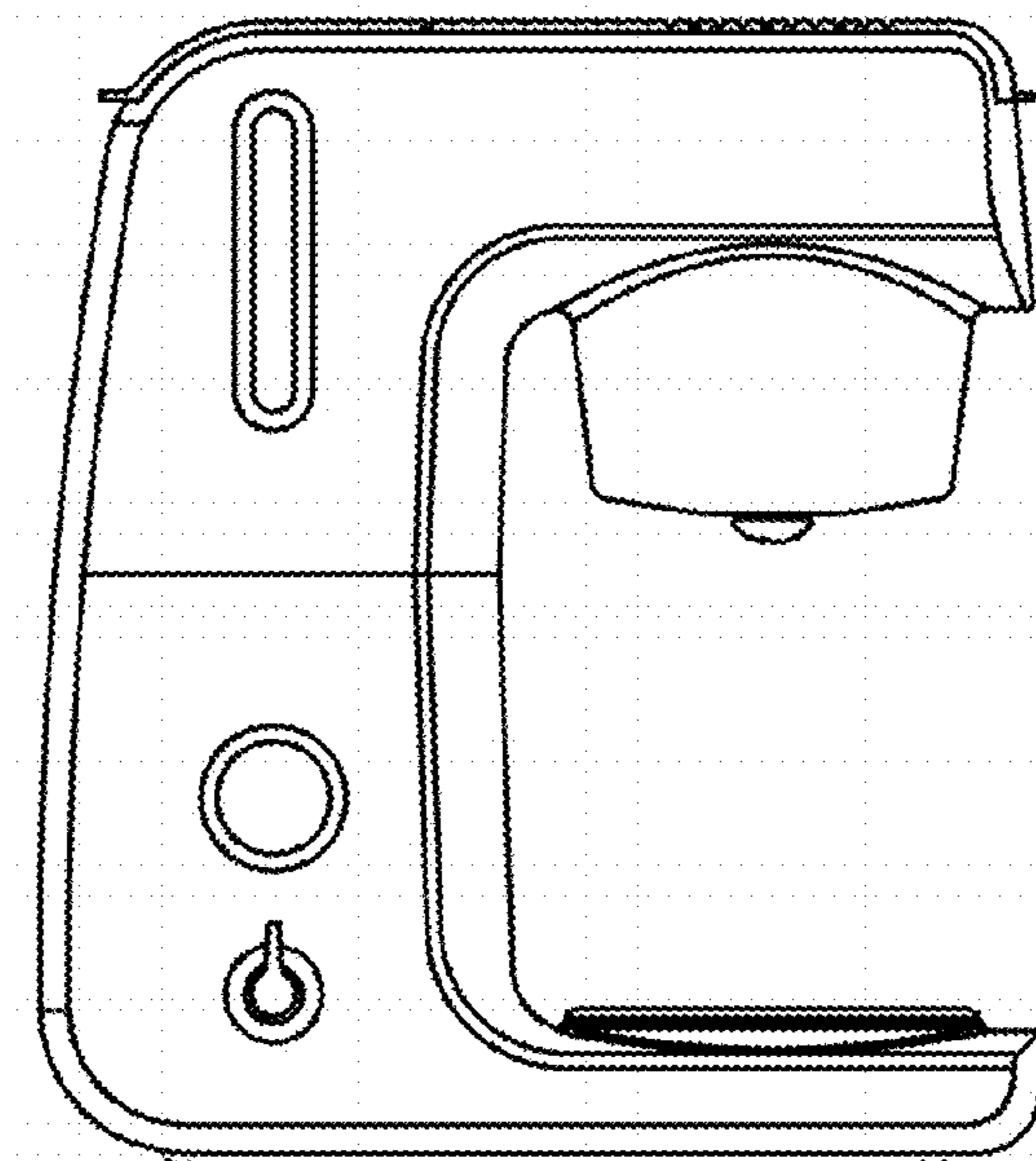


FIG. 2

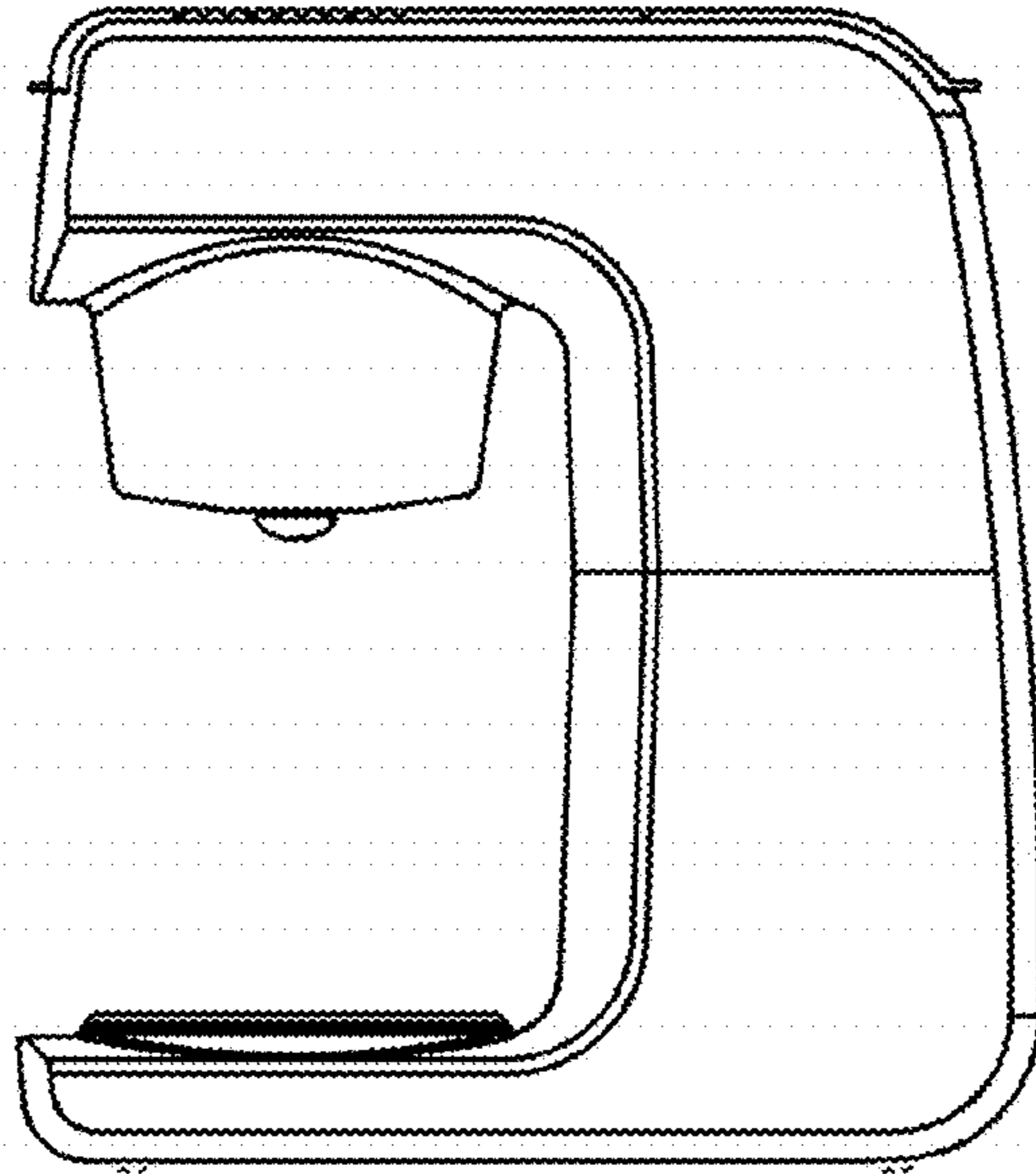


FIG. 3

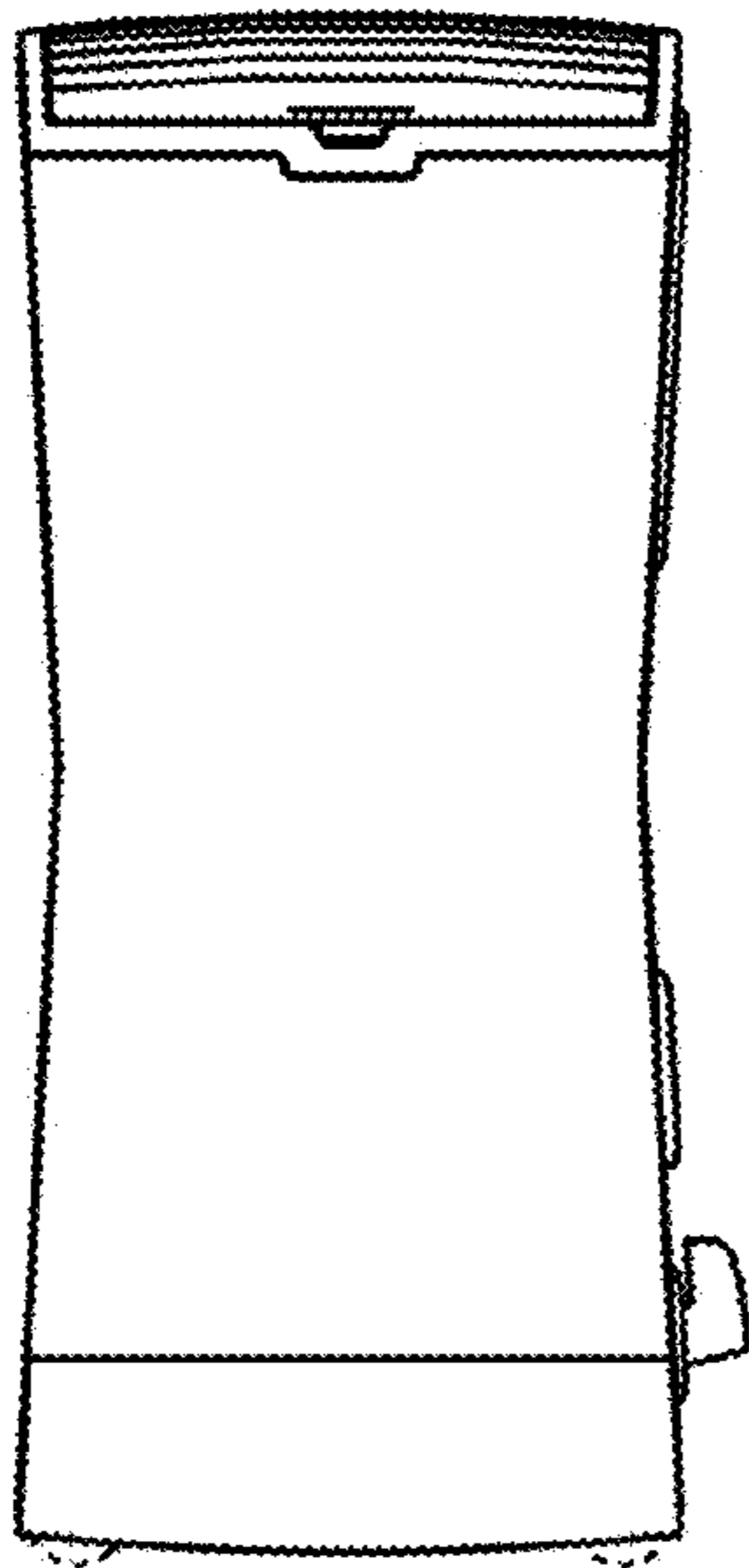


FIG. 4

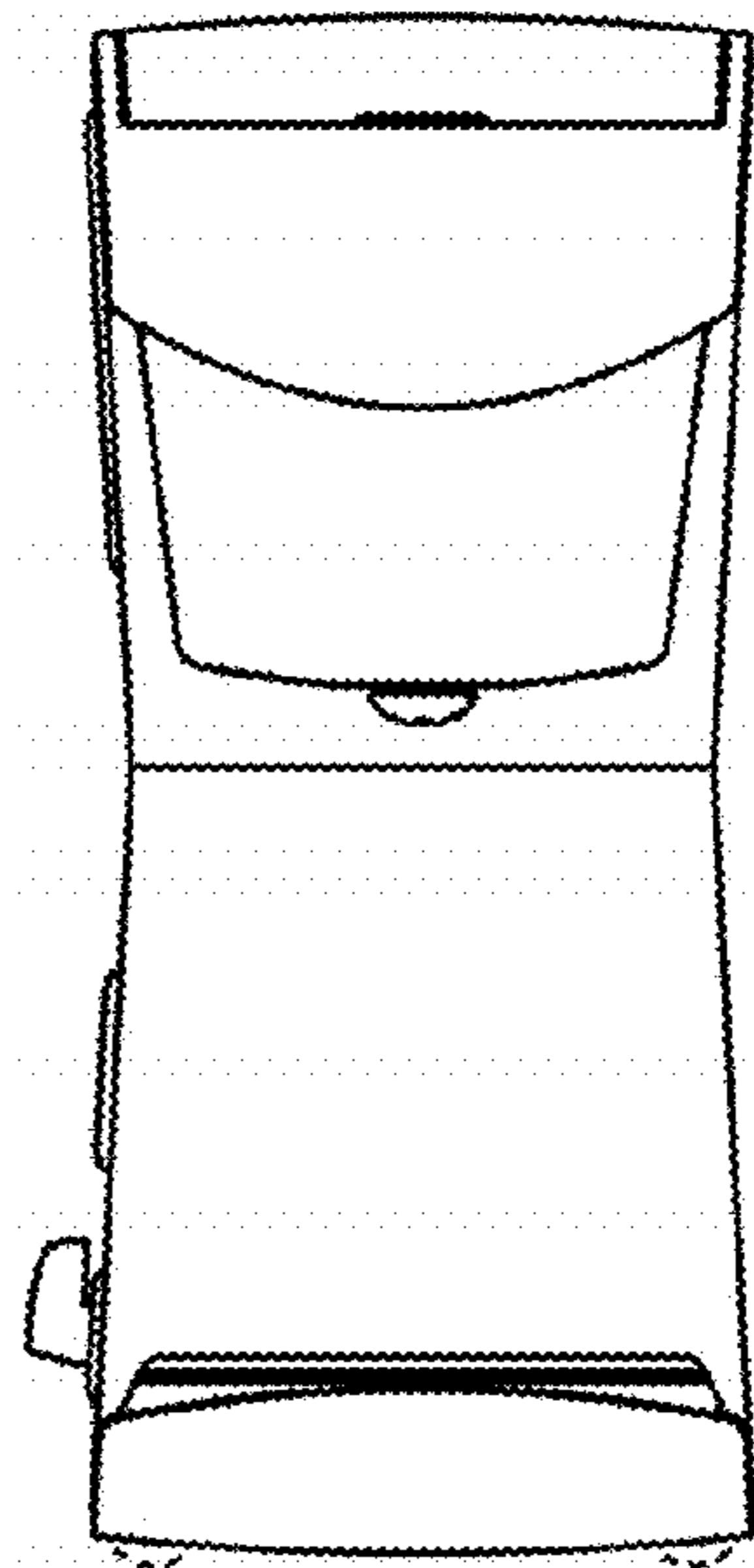


FIG. 5

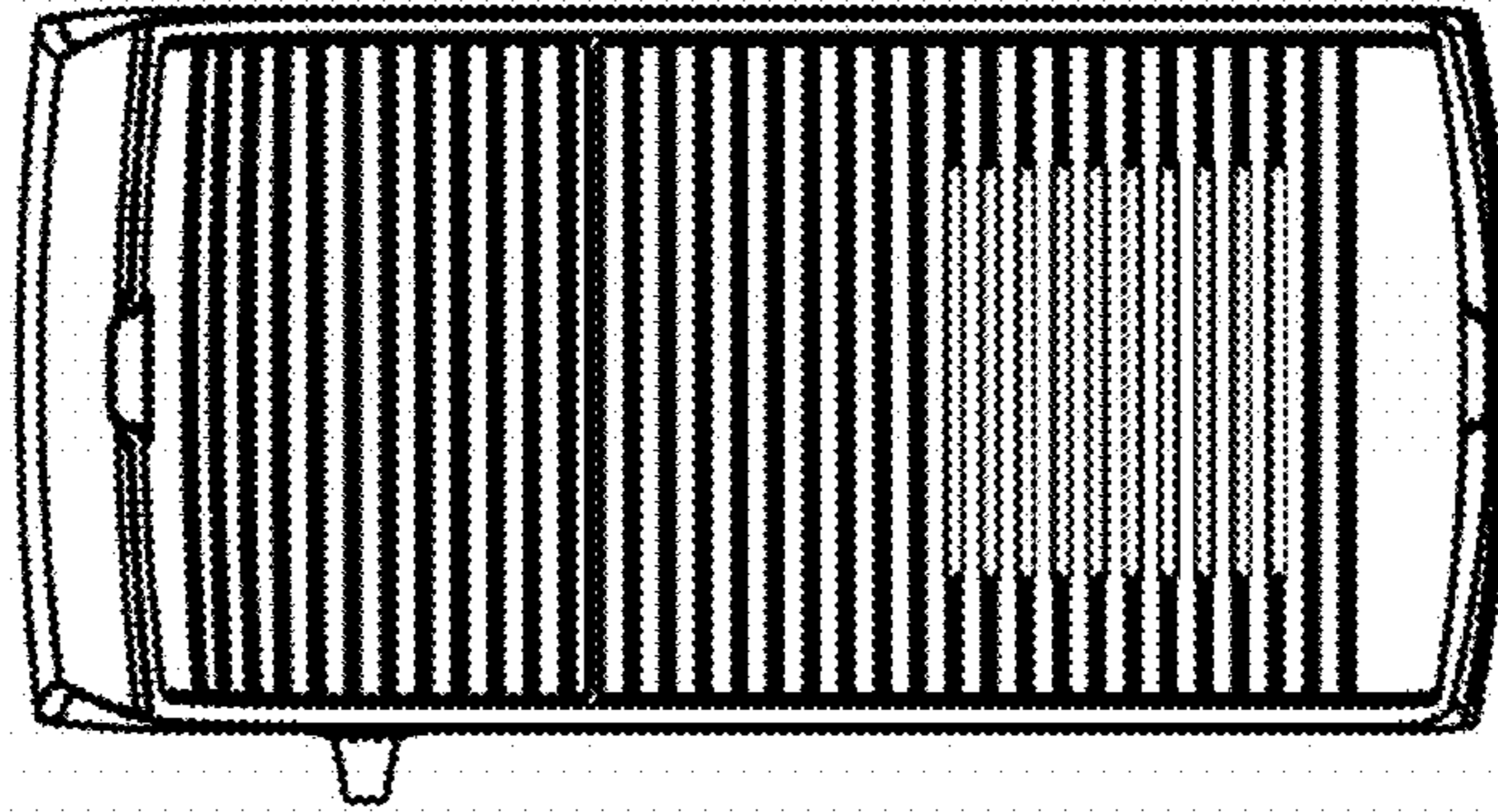


FIG. 6

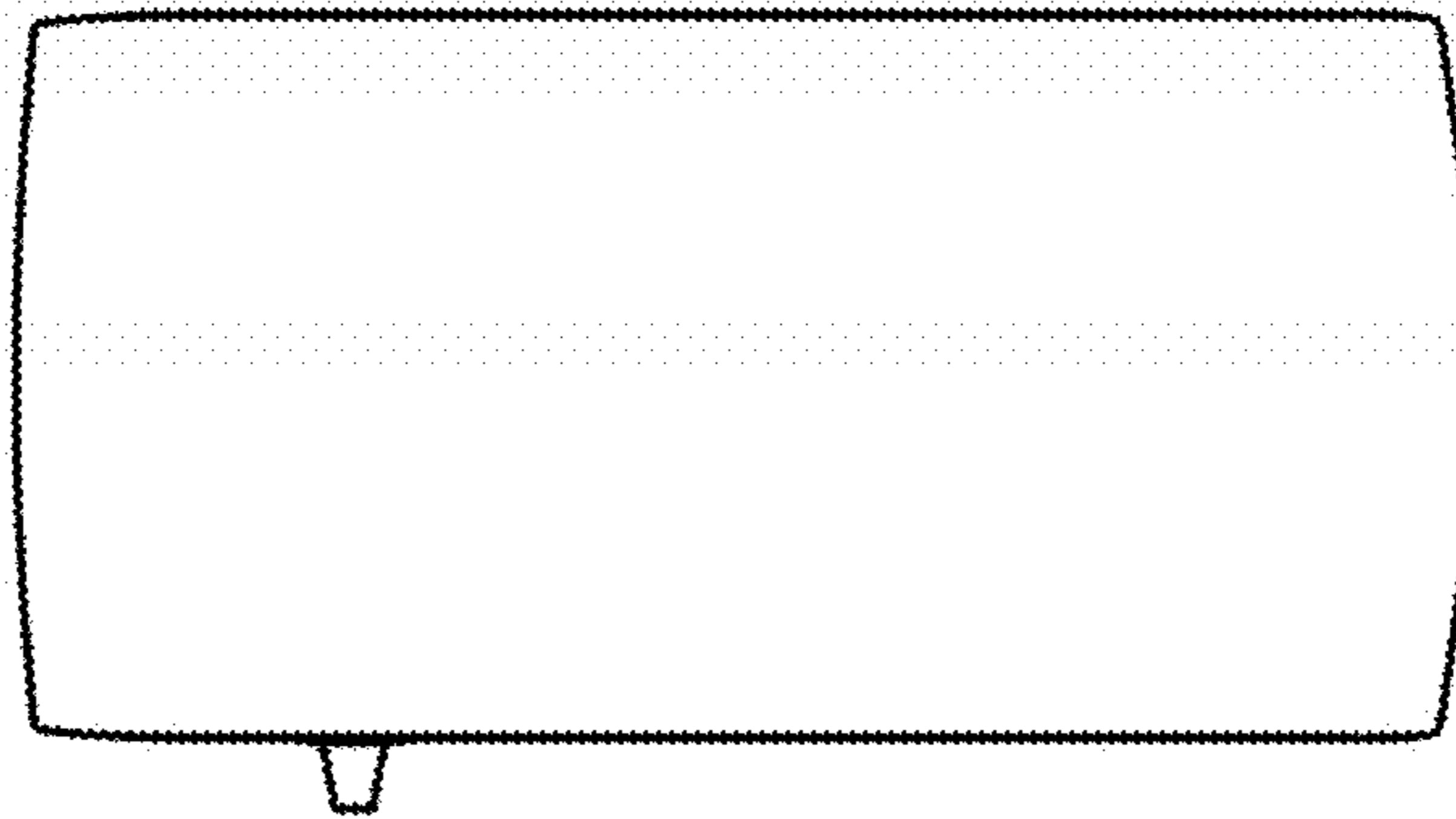


FIG. 7