



US00D760527S

(12) **United States Design Patent**
Jones

(10) **Patent No.:** **US D760,527 S**
(45) **Date of Patent:** **** Jul. 5, 2016**

(54) **DISPENSER**

(71) Applicant: **GoBUBL Limited**, London (GB)

(72) Inventor: **Darren Jones**, London (GB)

(73) Assignee: **GOBUBL LIMITED**, London (GB)

(**) Term: **14 Years**

(21) Appl. No.: **29/513,257**

(22) Filed: **Dec. 29, 2014**

(30) **Foreign Application Priority Data**

Jun. 30, 2014 (EM) 001415962-0002

(51) **LOC (10) Cl.** **07-01**

(52) **U.S. Cl.**
USPC **D7/300; D7/300.1; D7/305**

(58) **Field of Classification Search**
USPC D7/400, 396.2, 523, 387, 391, 392,
D7/392.1, 393, 396.1, 396.3, 397, 398,
D7/399, 401, 401.1, 213, 700, 667, 601,
D7/602, 603, 671, 672, 675, 589, 300,
D7/300.1, 305, 590, 591; D10/46.2;
D9/434, 435, 436, 439, 440, 444, 447;
220/709, 23.89, 229, 212.5; D3/203.1,
D3/203.2, 302; D23/209, 268; 215/397
CPC ... B29C 33/50; B29C 33/0038; A47J 31/005;
A47J 31/06; A47J 31/00; A47J 31/10; A47J
31/02; A47J 31/14; A47G 19/222; A47G
19/2272; B65D 21/0233

See application file for complete search history.

(56) **References Cited**

U.S. PATENT DOCUMENTS

D254,716 S * 4/1980 Mascia D9/518
4,258,714 A * 3/1981 Leopoldi A61M 3/0262
604/118
D391,455 S * 3/1998 Wallays D7/669
D404,681 S * 1/1999 Galerneau D11/121
D409,443 S * 5/1999 Clark D7/510

D414,785 S * 10/1999 Norris D15/82
D464,571 S * 10/2002 Hill D9/519
D465,733 S * 11/2002 Hill D9/519
D479,951 S * 9/2003 Segura D7/608
D505,050 S * 5/2005 Johnson D7/604
D528,257 S * 9/2006 Leclerc D34/1
D564,900 S * 3/2008 Green D9/504
D572,535 S * 7/2008 El-Ghouyel D7/500
D587,572 S * 3/2009 Sanders D9/443
D602,311 S * 10/2009 Finell D7/629
D617,868 S * 6/2010 Leavitt D23/209
D650,280 S * 12/2011 de Peyerimhoff D9/454
D661,540 S * 6/2012 Facey D7/354
D662,776 S * 7/2012 Eyal D7/510
D684,813 S * 6/2013 Eyal D7/392
D687,265 S * 8/2013 Cloutier D7/667
D689,746 S * 9/2013 Zorovich D7/672
D695,005 S * 12/2013 Kroupa D3/203.2
8,961,163 B2 * 2/2015 Zorovich A23G 9/083
249/119
D732,341 S * 6/2015 Matharu D7/300
D733,498 S * 7/2015 Matharu D7/300
D736,041 S * 8/2015 Orr D7/667
2010/0218686 A1 * 9/2010 O'Brien A47J 31/34
99/289 R
2014/0079860 A1 * 3/2014 Ho A23G 9/26
426/515
2015/0190003 A1 * 7/2015 Kelaher A47G 19/2272
220/303
2015/0257558 A1 * 9/2015 May A47G 19/2272
220/669

* cited by examiner

Primary Examiner — Marianne Pandozzi

Assistant Examiner — Jae Liang

(74) *Attorney, Agent, or Firm* — Fenwick & West LLP

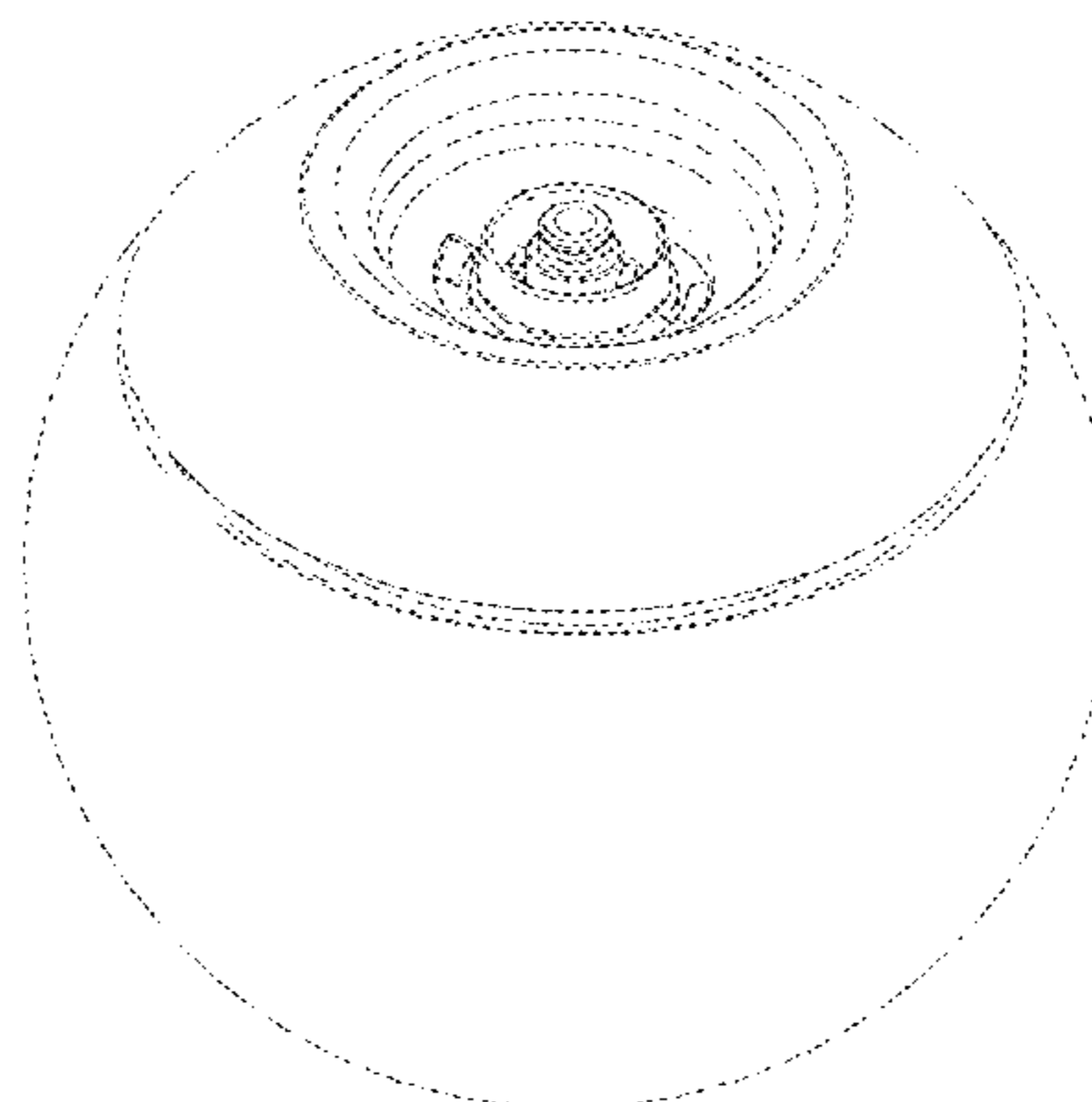
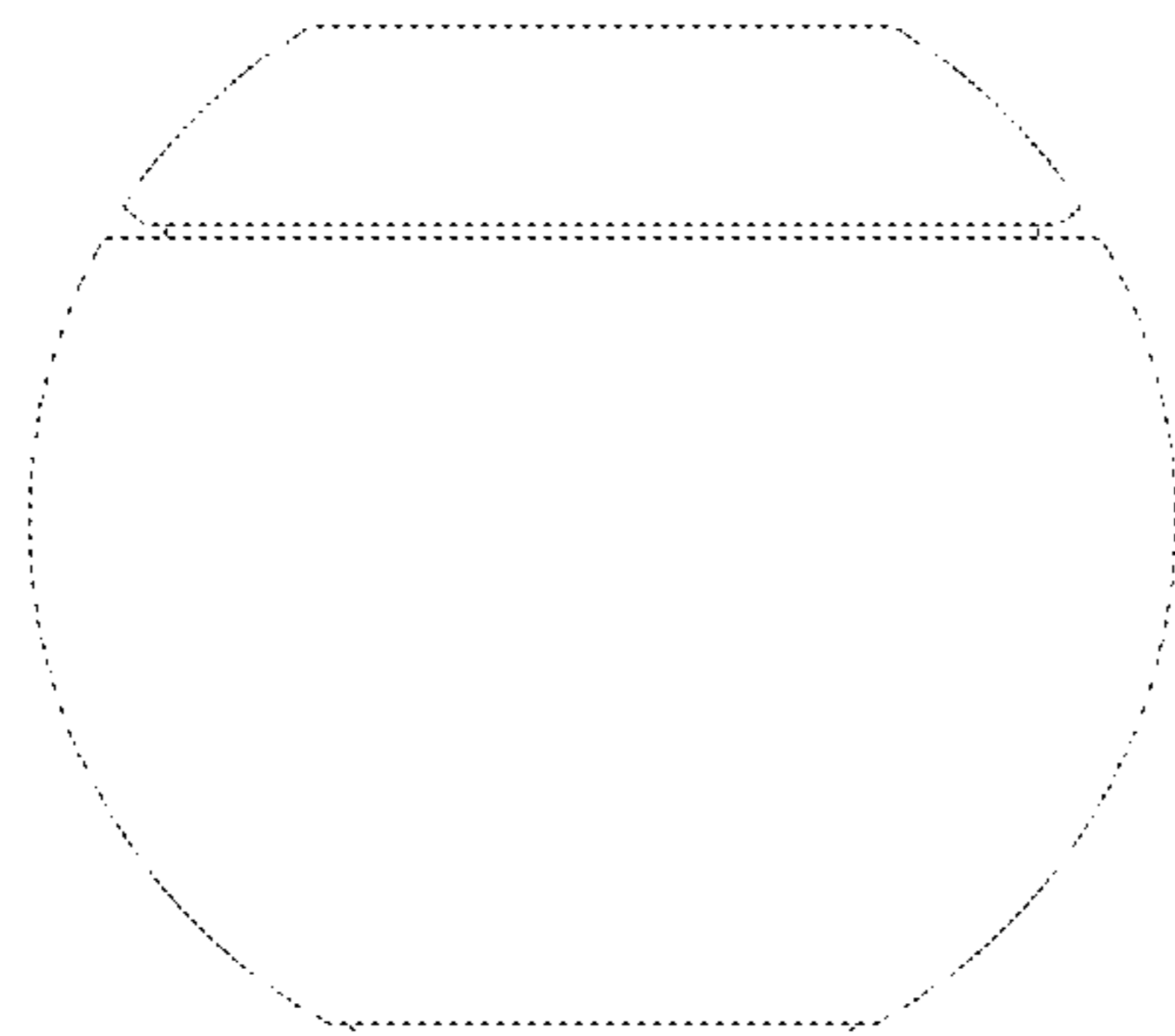
(57) **CLAIM**

The ornamental design for a dispenser, as shown and described.

DESCRIPTION

FIG. 1 is a top view of a dispenser showing to my new design;
FIG. 2 is a bottom view thereof;
FIG. 3 is a front view thereof; and,
FIG. 4 is a top perspective view thereof.

1 Claim, 4 Drawing Sheets



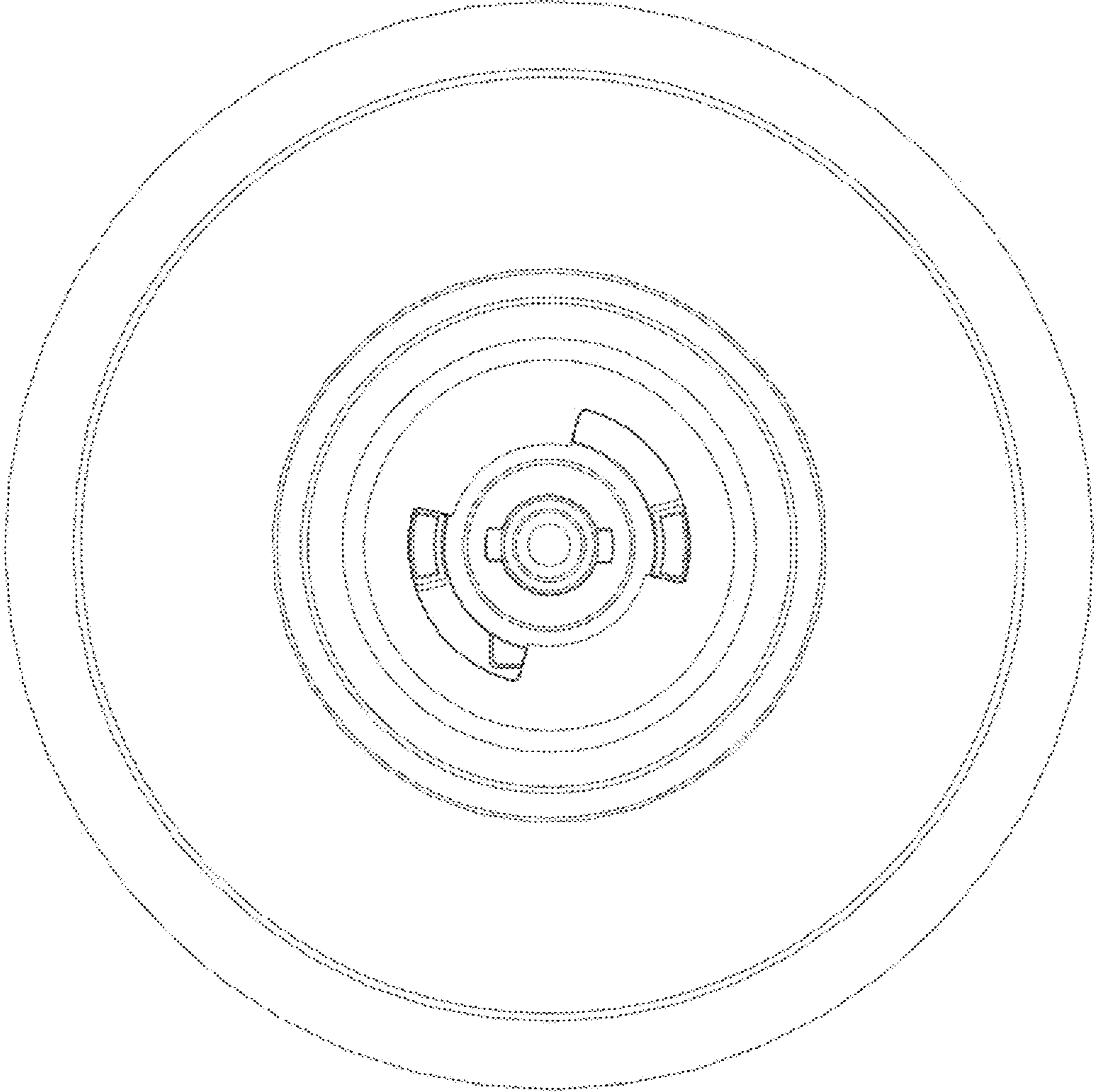


FIG. 1

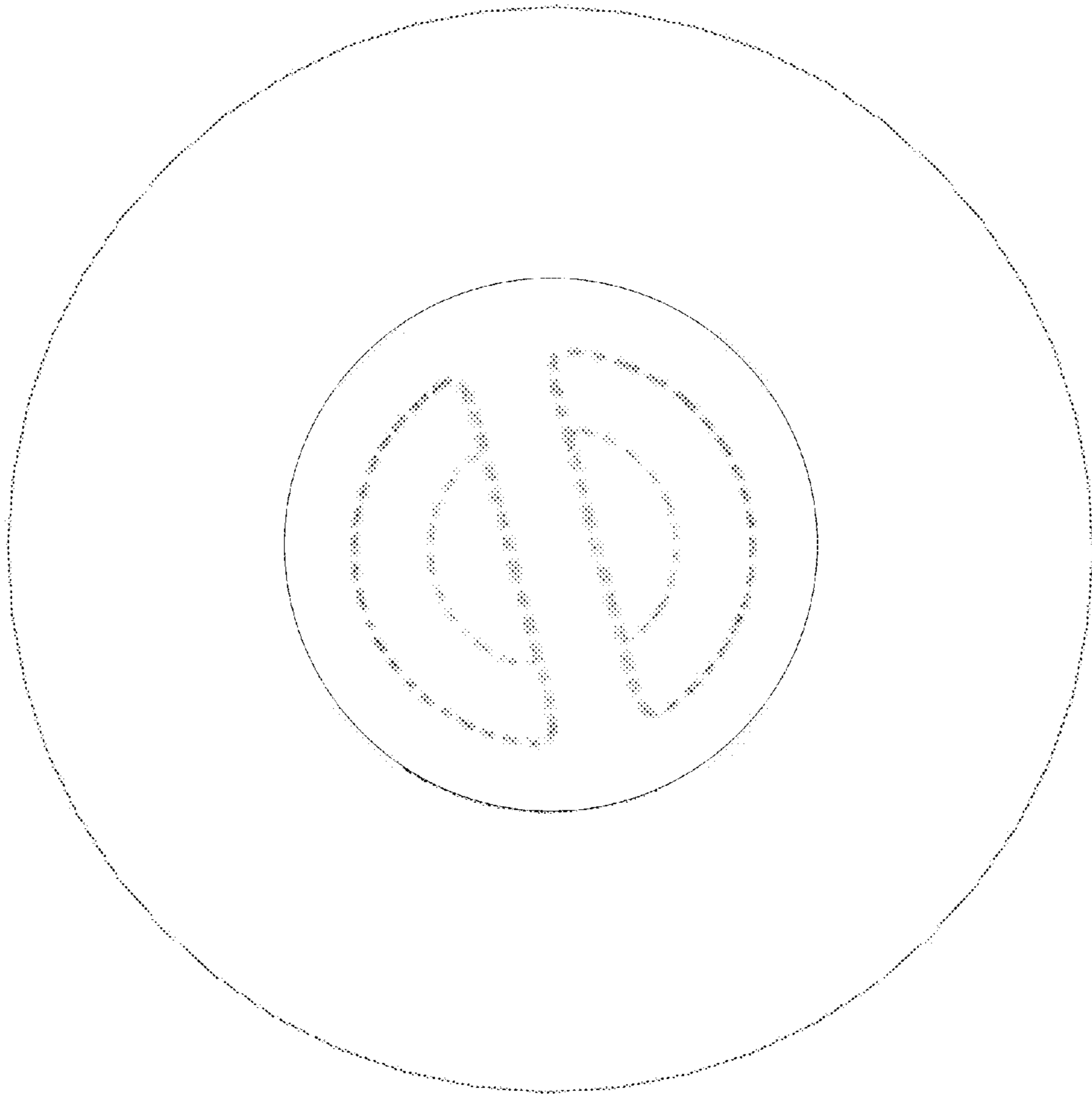


FIG. 2

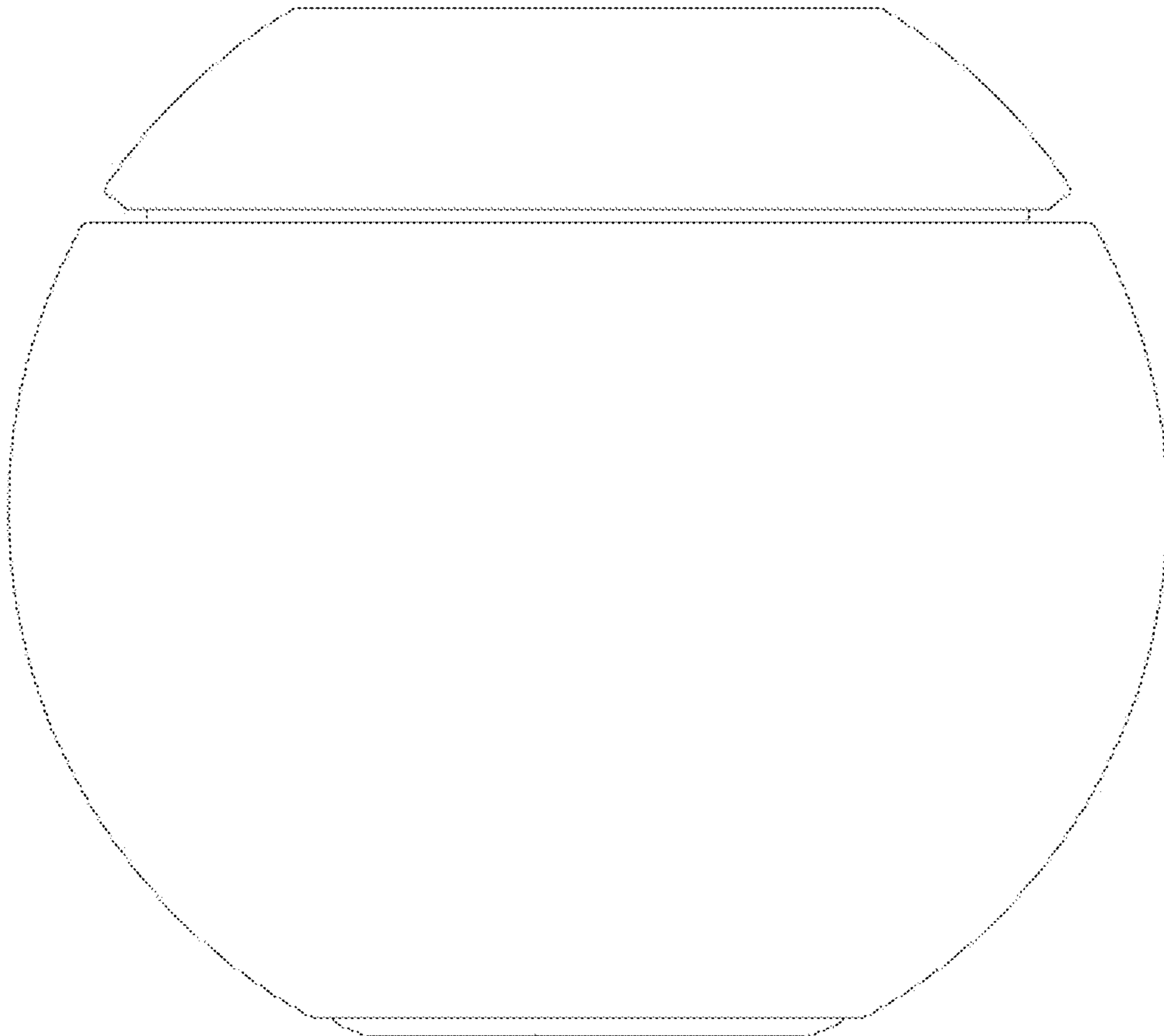


FIG. 3

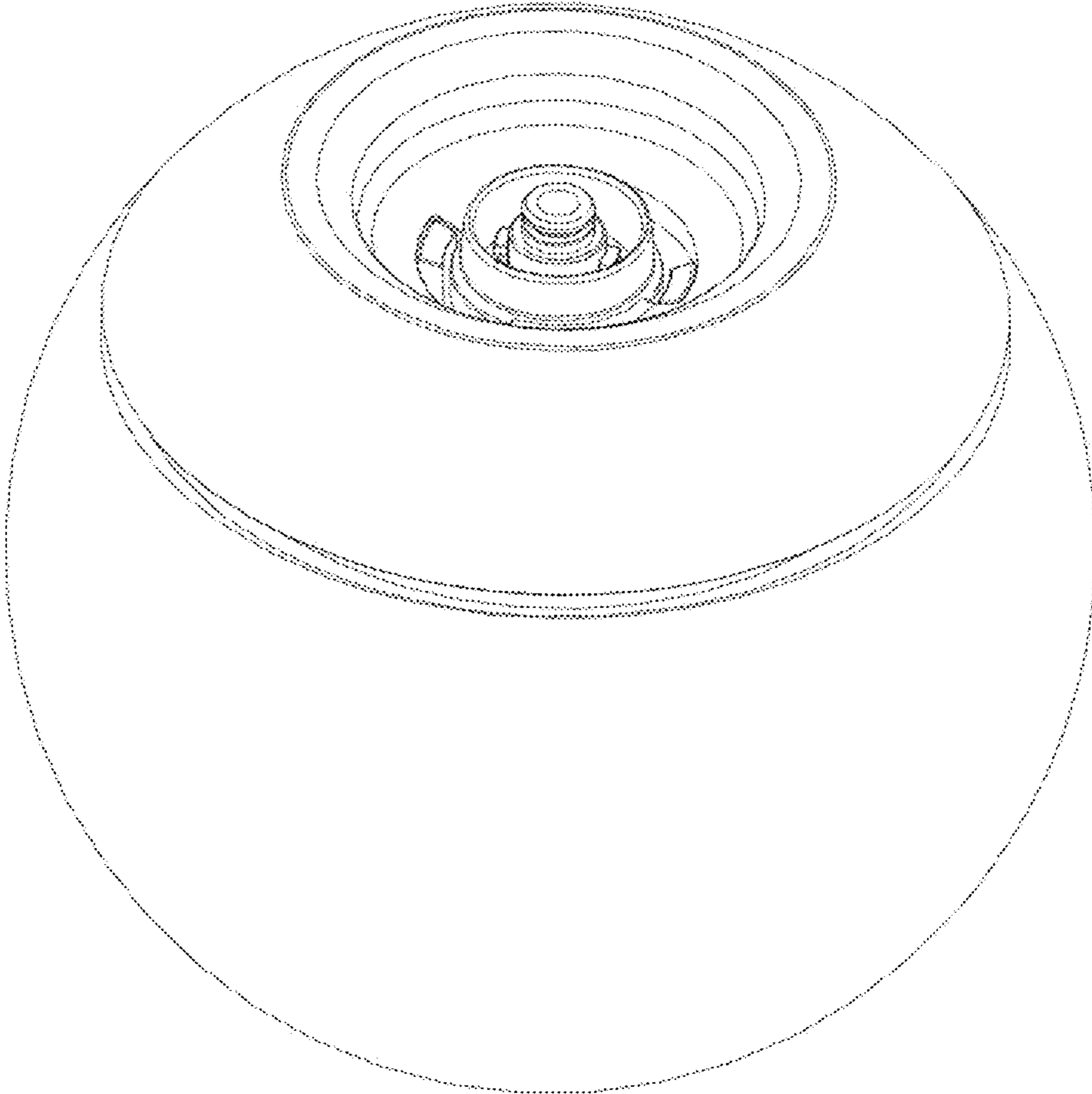


FIG. 4