

US00D760526S

(12) **United States Design Patent**
Smith et al.

(10) **Patent No.:** **US D760,526 S**
(45) **Date of Patent:** **** Jul. 5, 2016**

(54) **HEADREST ASSEMBLY**

(71) Applicant: **Steelcase Inc.**, Grand Rapids, MI (US)

(72) Inventors: **Bruce M. Smith**, East Grand Rapids, MI (US); **Gordon Jay Peterson**, Rockford, MI (US); **Robert J. Battey**, Middleville, MI (US); **John A. Colasanti**, Jenison, MI (US); **Fredric Biddle**, Kalamazoo, MI (US)

(73) Assignee: **Steelcase Inc.**, Grand Rapids, MI (US)

(**) Term: **14 Years**

(21) Appl. No.: **29/524,967**

(22) Filed: **Apr. 24, 2015**

(51) **LOC (10) Cl.** **06-01**

(52) **U.S. Cl.**
USPC **D6/716.5**

(58) **Field of Classification Search**
USPC D6/334-336, 356, 364, 366, 367, 379,
D6/380, 716, 716.1, 716.2, 716.4, 716.5
CPC B60N 2/48; B60N 2/4805; B60N 2/24879;
B60N 2/4838; A47C 7/38; A47C 7/383
See application file for complete search history.

(56) **References Cited**

U.S. PATENT DOCUMENTS

344,248 A	6/1886	Cawley
1,763,294 A	7/1928	Emmert
3,226,159 A	12/1965	Binding et al.
3,254,918 A	6/1966	Barker
3,865,450 A	2/1975	Bruenig
3,885,831 A	5/1975	Rasmussen
4,190,289 A	2/1980	Brunig et al.

4,711,491 A	12/1987	Ginat
4,844,544 A	7/1989	Ochiai
4,861,107 A	8/1989	Vidwans et al.
5,439,267 A	8/1995	Peterson et al.

(Continued)

FOREIGN PATENT DOCUMENTS

EP	1836935	9/2007
EP	2233043	9/2010

(Continued)

OTHER PUBLICATIONS

Haworth X99 Chair Brochure.

(Continued)

Primary Examiner — Mimoso De

(74) *Attorney, Agent, or Firm* — Price Heneveld LLP

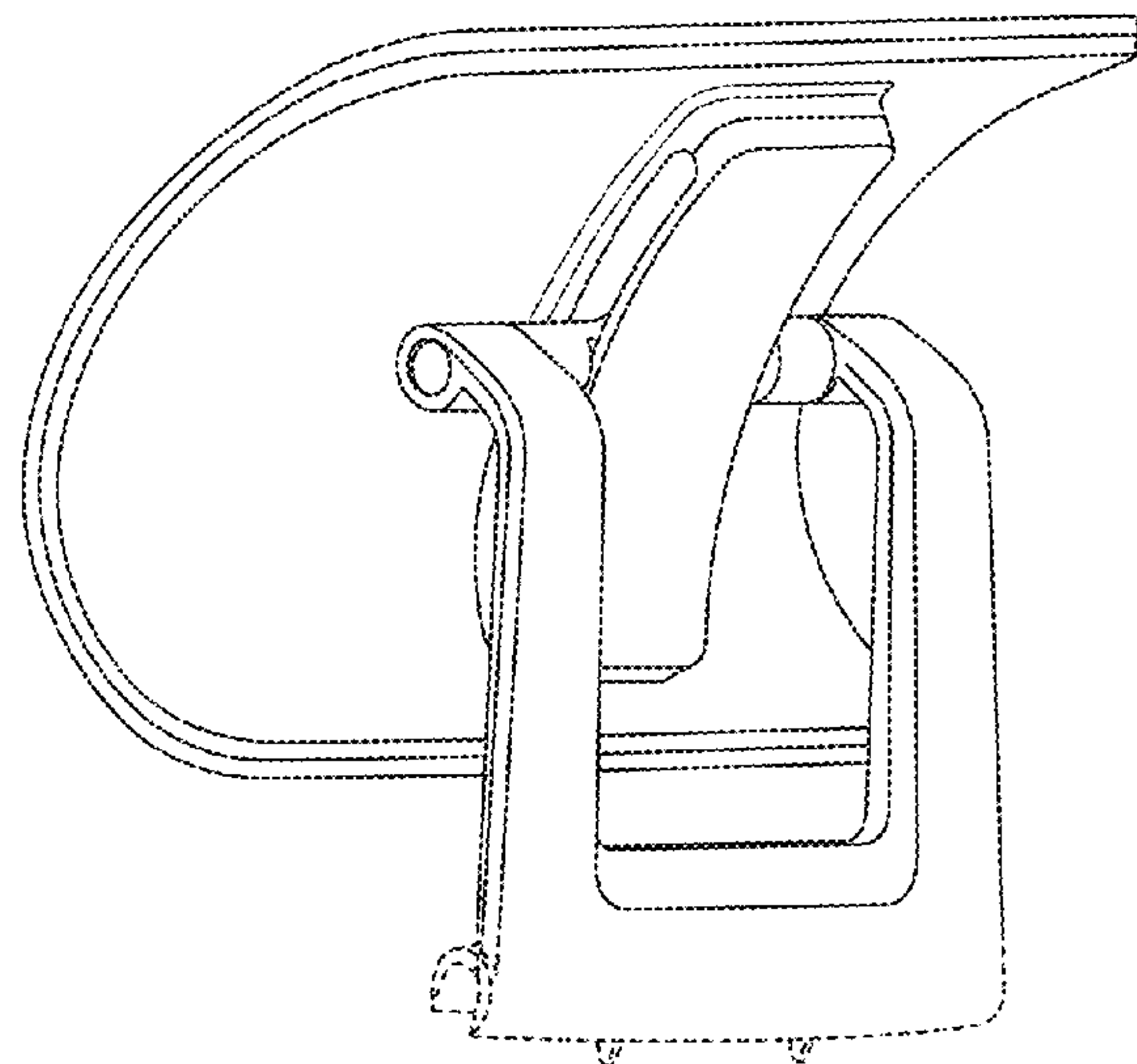
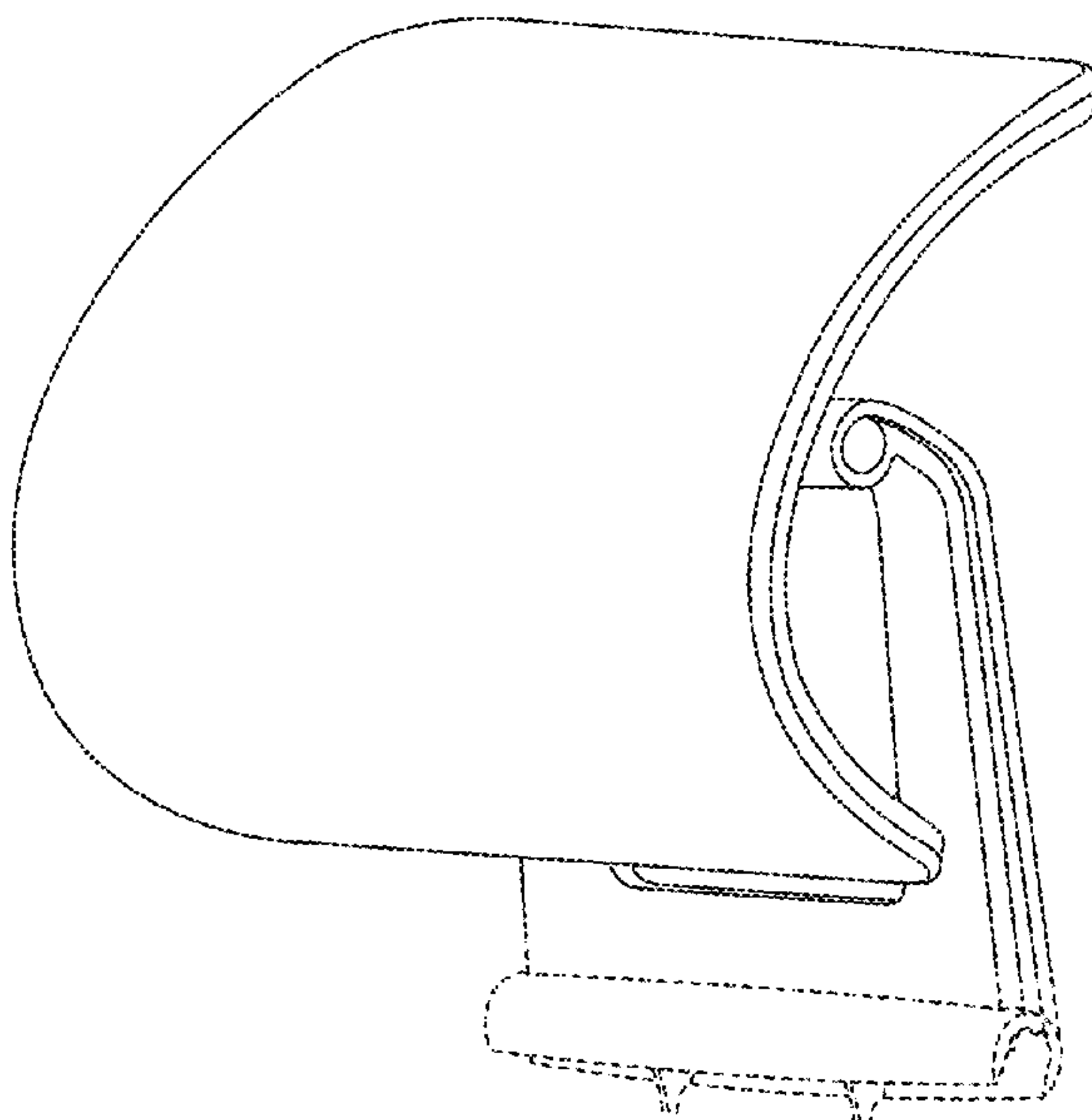
(57) **CLAIM**

We claim the ornamental design for a headrest assembly, as shown and described.

DESCRIPTION

FIG. 1 is a front perspective view of a headrest assembly embodying the present invention; FIG. 2 is a rear perspective view of the headrest assembly; FIG. 3 is a front elevational view of the headrest assembly; FIG. 4 is a first side elevational view of the headrest assembly; FIG. 5 is a rear elevational view of the headrest assembly; FIG. 6 is a second side elevational view of the headrest assembly; FIG. 7 is a top plan view of the headrest assembly; and, FIG. 8 is a bottom plan view of the headrest assembly. The broken lines shown in the drawing are for illustrative purposes only and form no part of the claimed design.

1 Claim, 4 Drawing Sheets



(56)

References Cited

U.S. PATENT DOCUMENTS

5,599,067 A	2/1997	Schuelke et al.	6,913,315 B2	7/2005	Ball et al.
5,622,405 A	4/1997	Pitencel	D507,910 S	8/2005	Bock
5,718,478 A	2/1998	Allison	6,942,300 B2	9/2005	Numa et al.
5,725,276 A	3/1998	Ginat	6,945,601 B1	9/2005	Wu
5,772,282 A	6/1998	Stumpf et al.	6,948,775 B2	9/2005	Tsai
5,871,258 A	2/1999	Batthey et al.	6,955,402 B2	10/2005	Vanderiet et al.
5,934,758 A	8/1999	Ritch et al.	6,966,604 B2	11/2005	Stumpf et al.
5,975,634 A	11/1999	Knoblock et al.	D512,232 S	12/2005	Wu
6,000,759 A	12/1999	Pedronno et al.	6,983,997 B2	1/2006	Wilkerson et al.
6,035,901 A	3/2000	Stumpf et al.	D514,832 S	2/2006	Tsai
6,039,397 A	3/2000	Ginat	7,014,269 B2	3/2006	Coffield et al.
D423,261 S	4/2000	Ritch et al.	7,025,424 B2	4/2006	Harley
6,053,578 A	4/2000	van Hekken et al.	D521,755 S	5/2006	Kinoshita et al.
6,059,366 A	5/2000	Hu	D523,252 S	6/2006	Leitao
6,059,368 A	5/2000	Stumpf et al.	7,055,909 B2	6/2006	Wu
6,076,892 A	6/2000	van Hekken et al.	7,055,911 B2	6/2006	Simpson et al.
6,079,776 A	6/2000	Breitner et al.	7,059,681 B2	6/2006	Kubo
6,079,785 A	6/2000	Peterson et al.	7,066,537 B2	6/2006	Coffield et al.
6,086,156 A	7/2000	Breen et al.	7,066,546 B2	6/2006	Trego et al.
6,113,192 A	9/2000	Schneider	7,097,247 B2	8/2006	Batthey et al.
6,125,521 A	10/2000	Stumpf et al.	7,131,700 B2	11/2006	Knoblock et al.
D436,456 S	1/2001	Neil	D535,505 S	1/2007	Cai
6,178,595 B1	1/2001	Marinoni	7,159,947 B1	1/2007	Lee
6,199,947 B1	3/2001	Wiklund	D541,062 S	4/2007	Su
6,220,661 B1	4/2001	Peterson	7,201,449 B2	4/2007	Tsai
D446,033 S	8/2001	Koepke et al.	D543,040 S	5/2007	Hara
D451,723 S	12/2001	Grove	D543,042 S	5/2007	Hara
6,364,415 B1	4/2002	Mori et al.	7,213,880 B2	5/2007	Schmitz et al.
6,382,719 B1	5/2002	Heidmann et al.	7,213,886 B2	5/2007	Schmitz et al.
6,386,634 B1	5/2002	Stumpf et al.	7,216,936 B2	5/2007	Peterson
6,394,546 B1	5/2002	Knoblock et al.	D543,717 S	6/2007	Chen
6,394,548 B1	5/2002	Batthey et al.	D544,722 S	6/2007	Scheper et al.
6,394,549 B1	5/2002	DeKraker et al.	D545,582 S	7/2007	Wu
6,412,872 B2	7/2002	Takeda et al.	7,249,802 B2	7/2007	Schmitz et al.
6,419,318 B1	7/2002	Albright	D548,474 S	8/2007	Fancelli
6,419,322 B2	7/2002	Nakane et al.	D548,994 S	8/2007	Mao
6,460,932 B1	10/2002	Kopish et al.	D549,473 S	8/2007	Wagner
6,471,294 B1	10/2002	Dammermann et al.	D549,474 S	8/2007	Wagner
6,499,801 B1	12/2002	Peterson et al.	D549,976 S	9/2007	Lin
6,502,904 B1	1/2003	Hansen	D550,976 S	9/2007	Bellini et al.
6,508,509 B2	1/2003	Peterson	7,270,378 B2	9/2007	Wilkerson et al.
6,572,190 B2	6/2003	Koepke et al.	7,273,253 B2	9/2007	Deimen et al.
6,588,842 B2	7/2003	Stumpf et al.	D552,857 S	10/2007	Wang
6,609,755 B2	8/2003	Koepke et al.	7,281,764 B2	10/2007	Thole
6,616,228 B2	9/2003	Heidmann	D554,877 S	11/2007	Tsai
6,619,746 B2	9/2003	Roslund, Jr. et al.	D557,024 S	12/2007	Chen
D482,205 S	11/2003	English et al.	D557,027 S	12/2007	Hara
6,644,749 B2	11/2003	Vanderiet et al.	D557,914 S	12/2007	Ong
6,669,292 B2	12/2003	Koepke et al.	D557,950 S	12/2007	Lu
D486,656 S	2/2004	Su	7,303,232 B1	12/2007	Chen
6,688,690 B2	2/2004	Watson et al.	D558,492 S	1/2008	Lu
D487,359 S	3/2004	Giugiaro	7,334,845 B2	2/2008	Peterson et al.
6,702,390 B2	3/2004	Stumpf et al.	7,338,130 B2	3/2008	Daume
6,709,060 B1	3/2004	Su	7,360,835 B2	4/2008	Tubergen et al.
6,722,741 B2	4/2004	Stumpf et al.	7,360,839 B1	4/2008	Chen
6,726,278 B1	4/2004	Albright et al.	D568,624 S *	5/2008	Wen D6/366
6,726,286 B2	4/2004	Stumpf et al.	7,367,622 B2	5/2008	Roslund et al.
6,729,691 B2	5/2004	Koepke et al.	D571,569 S	6/2008	Fancelli
6,733,080 B2	5/2004	Stumpf et al.	D572,493 S	7/2008	Zhang
D490,994 S	6/2004	Schmitz et al.	D573,361 S	7/2008	Kung
6,758,523 B2	7/2004	Vanderiet et al.	7,410,218 B2	8/2008	Kotani et al.
D493,626 S	8/2004	James	D576,416 S *	9/2008	Su D6/366
D493,627 S	8/2004	Ma	D576,809 S	9/2008	Christianson et al.
6,779,839 B2	8/2004	Andreasson et al.	D576,813 S	9/2008	Baldanzi et al.
D496,812 S	10/2004	Chu	D576,814 S	9/2008	Baldanzi et al.
D497,264 S	10/2004	Aubriet et al.	7,419,222 B2	9/2008	Schmitz et al.
6,824,212 B2	11/2004	Malsch et al.	7,425,037 B2	9/2008	Schmitz et al.
D499,564 S	12/2004	Meda	7,425,039 B2	9/2008	Lin
6,837,546 B2	1/2005	Vanderiet et al.	7,427,105 B2	9/2008	Knoblock et al.
6,857,704 B2	2/2005	Stenzel et al.	7,434,879 B2	10/2008	Ueda et al.
6,874,852 B2	4/2005	Footitt	D585,675 S *	2/2009	Zhang D6/716.5
6,880,215 B2	4/2005	Peterson	7,494,188 B1	2/2009	Lin
6,899,398 B2	5/2005	Coffield	7,500,718 B2	3/2009	Fookes
D507,124 S	7/2005	Yang	7,517,009 B2	4/2009	Mauro et al.
D507,423 S	7/2005	Beaulieu et al.	7,527,335 B2	5/2009	Eberlein et al.
			7,533,939 B2	5/2009	Fookes et al.
			D593,345 S	6/2009	Schweikarth et al.
			7,549,704 B1	6/2009	Chou et al.
			7,594,700 B2	9/2009	Stumpf et al.

(56)

References Cited

U.S. PATENT DOCUMENTS

D601,830 S 10/2009 Egger
 7,604,298 B2 10/2009 Peterson et al.
 7,625,045 B2 12/2009 Hatcher et al.
 D610,822 S 3/2010 Chen
 7,690,729 B2 4/2010 Liao
 7,744,159 B2 6/2010 Lee
 7,798,573 B2 9/2010 Pennington et al.
 7,806,481 B2 10/2010 Eberlein
 7,815,259 B2 10/2010 Fookes et al.
 7,828,389 B2 11/2010 Oda
 7,832,803 B2 11/2010 Cassaday
 7,837,269 B2 11/2010 Bock
 7,837,272 B2 11/2010 Masunaga et al.
 7,841,665 B2 11/2010 Geister et al.
 7,841,666 B2 11/2010 Schmitz et al.
 7,857,388 B2 12/2010 Bedford et al.
 7,887,131 B2 2/2011 Chadwick et al.
 7,887,135 B2 2/2011 Oda
 D634,558 S 3/2011 Deisig
 7,922,248 B2 4/2011 Aldrich et al.
 D638,635 S 5/2011 Sander et al.
 7,980,631 B2 7/2011 Diffrient
 D645,683 S * 9/2011 Chen D6/366
 D645,684 S * 9/2011 Chen D6/366
 8,016,360 B2 9/2011 Machael et al.
 8,029,066 B2 10/2011 Su
 8,038,212 B2 10/2011 Vickers et al.
 D648,967 S 11/2011 Ong
 8,061,778 B2 11/2011 Machael et al.
 D650,617 S 12/2011 Chen
 D653,467 S 2/2012 Ballendat
 D654,709 S 2/2012 Fujita
 D654,711 S 2/2012 Fujita
 D655,524 S 3/2012 Kim
 D657,166 S 4/2012 Behar et al.
 D657,594 S 4/2012 Knight et al.

D661,506 S * 6/2012 Ou D6/366
 D661,916 S * 6/2012 Chen D6/366
 D694,541 S * 12/2013 Breen D6/366
 D695,538 S * 12/2013 Geelen D6/366
 8,662,591 B2 3/2014 Lin
 2002/0003368 A1 1/2002 Vanderiet et al.
 2002/0074843 A1 6/2002 Malsch et al.
 2003/0030317 A1 2/2003 Chen
 2003/0047980 A1 3/2003 Vassallo
 2004/0000805 A1 1/2004 Vanderiet et al.
 2004/0155503 A1 8/2004 Stumpf et al.
 2005/0052061 A1 3/2005 Deimen et al.
 2005/0062323 A1 3/2005 Dicks
 2008/0122284 A1 5/2008 Yang
 2009/0021069 A1 1/2009 Hentschel et al.
 2010/0007190 A1 1/2010 Johnson et al.
 2010/0237679 A1 9/2010 Tsukiji et al.
 2010/0244521 A1 9/2010 Ueda
 2010/0276978 A1 11/2010 Furuta et al.
 2011/0012395 A1 1/2011 Roslund et al.
 2011/0198907 A1 8/2011 Masunaga et al.
 2011/0248543 A1 10/2011 Hitchcock et al.
 2013/0093232 A1 4/2013 Lin
 2013/0154314 A1 6/2013 Romero

FOREIGN PATENT DOCUMENTS

EP 2491821 8/2012
 JP 11290154 10/1999
 JP 2004155269 6/2004
 KR 1020130019549 2/2013
 WO 2008041868 4/2008
 WO 2013051951 4/2013

OTHER PUBLICATIONS

Werndl #1 Brochure.
 Steelcase Please Chair Brochure.

* cited by examiner

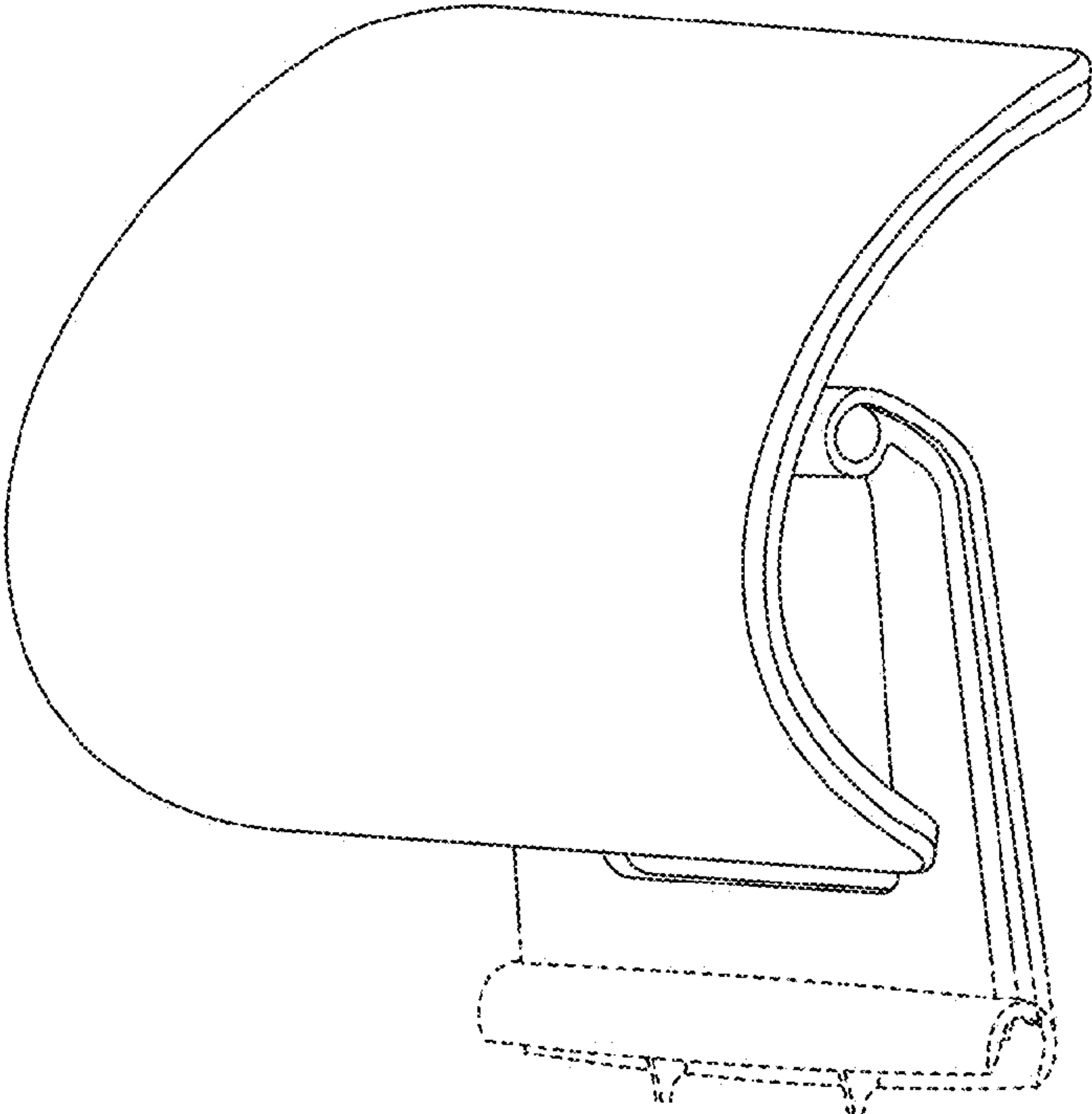


FIG. 1

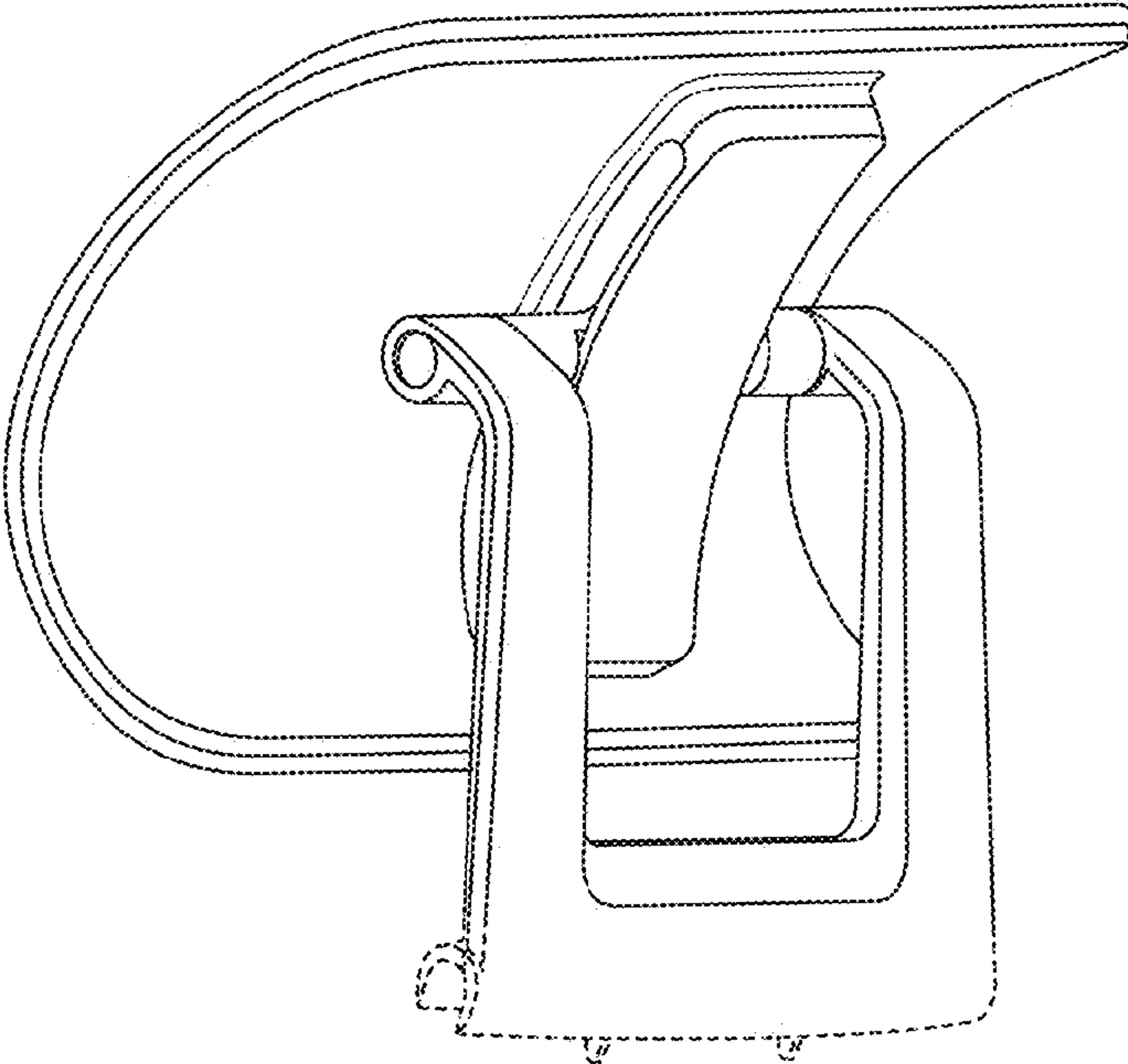


FIG. 2

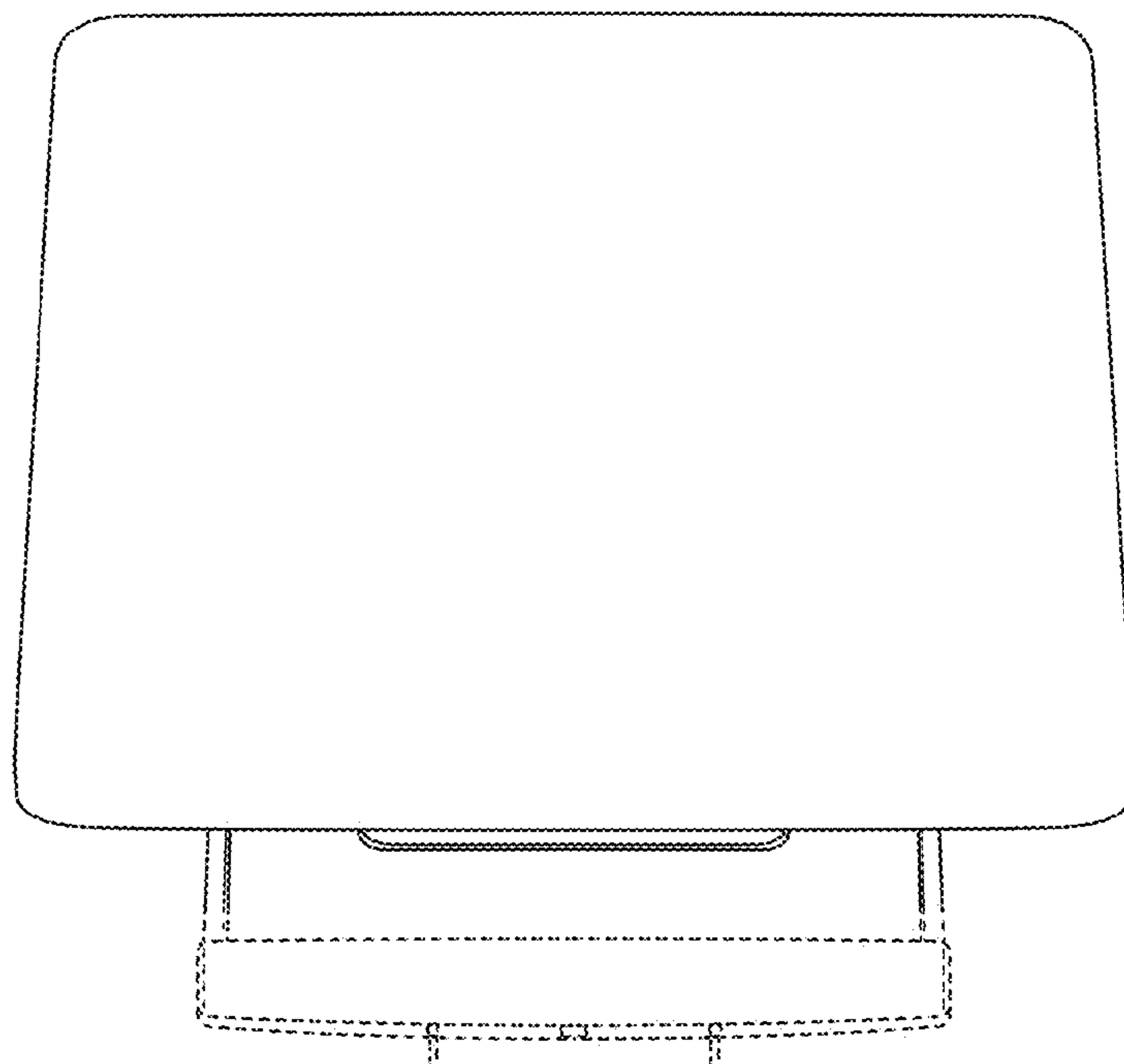


FIG. 3

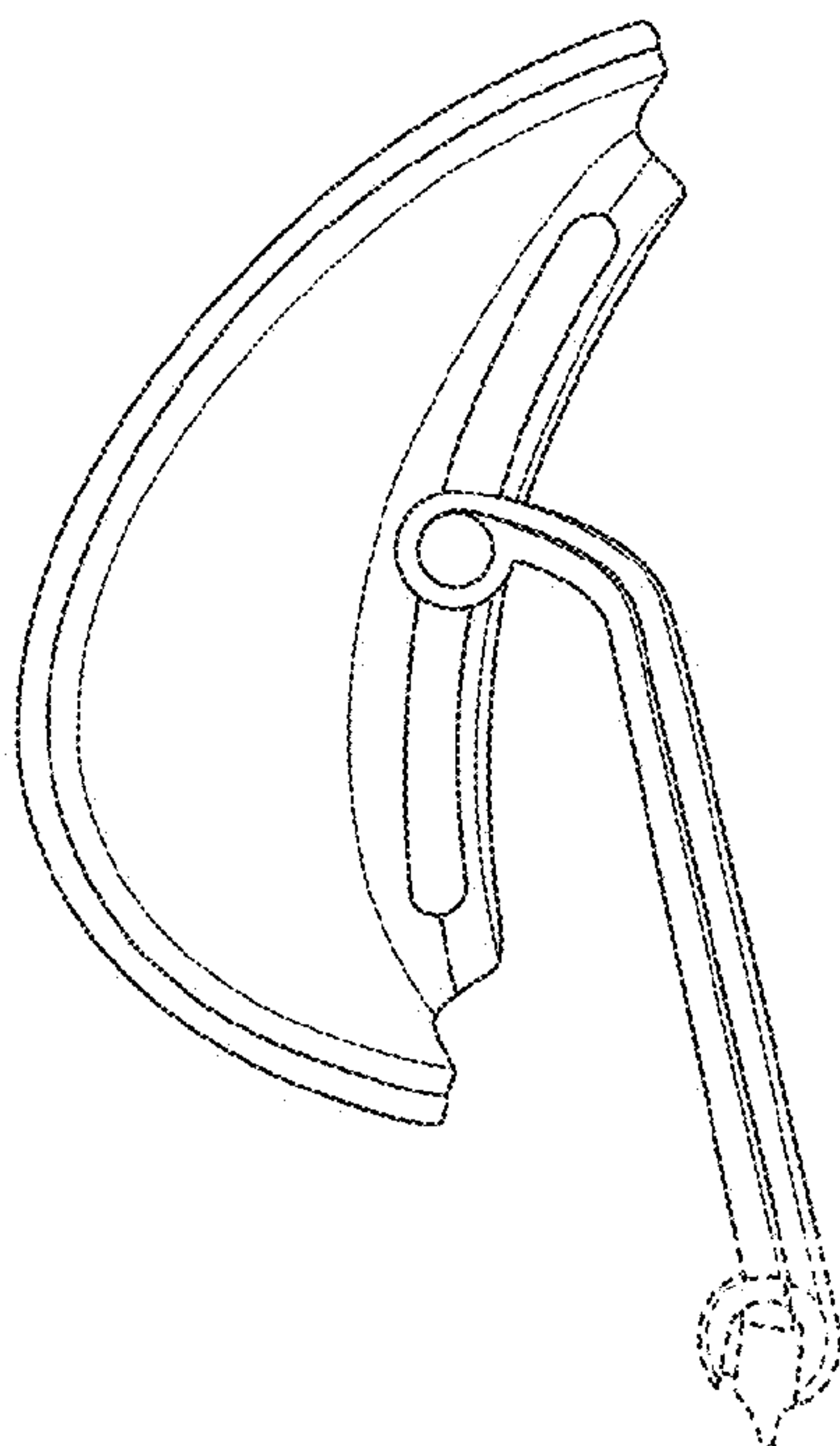


FIG. 4

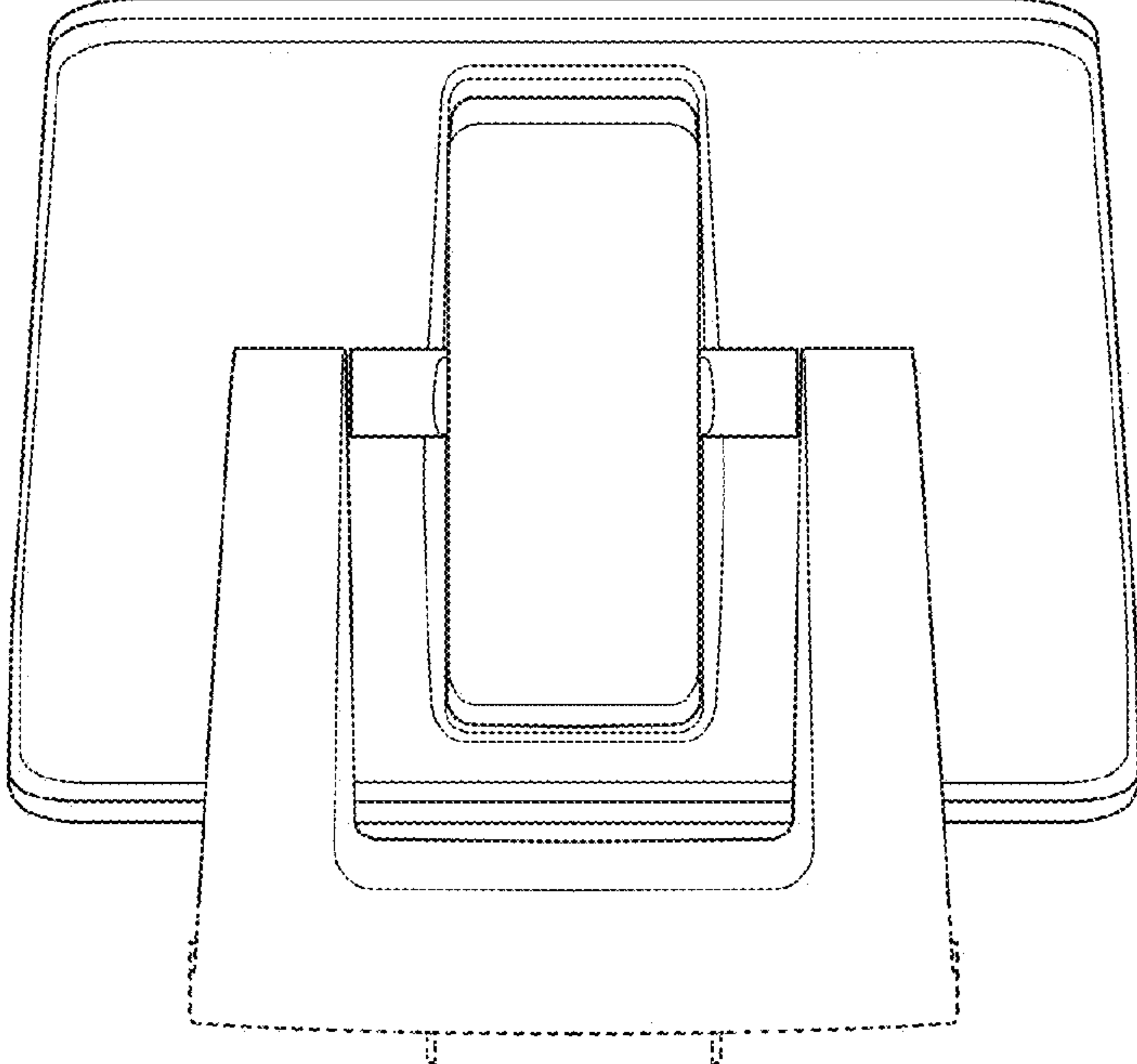


FIG. 5

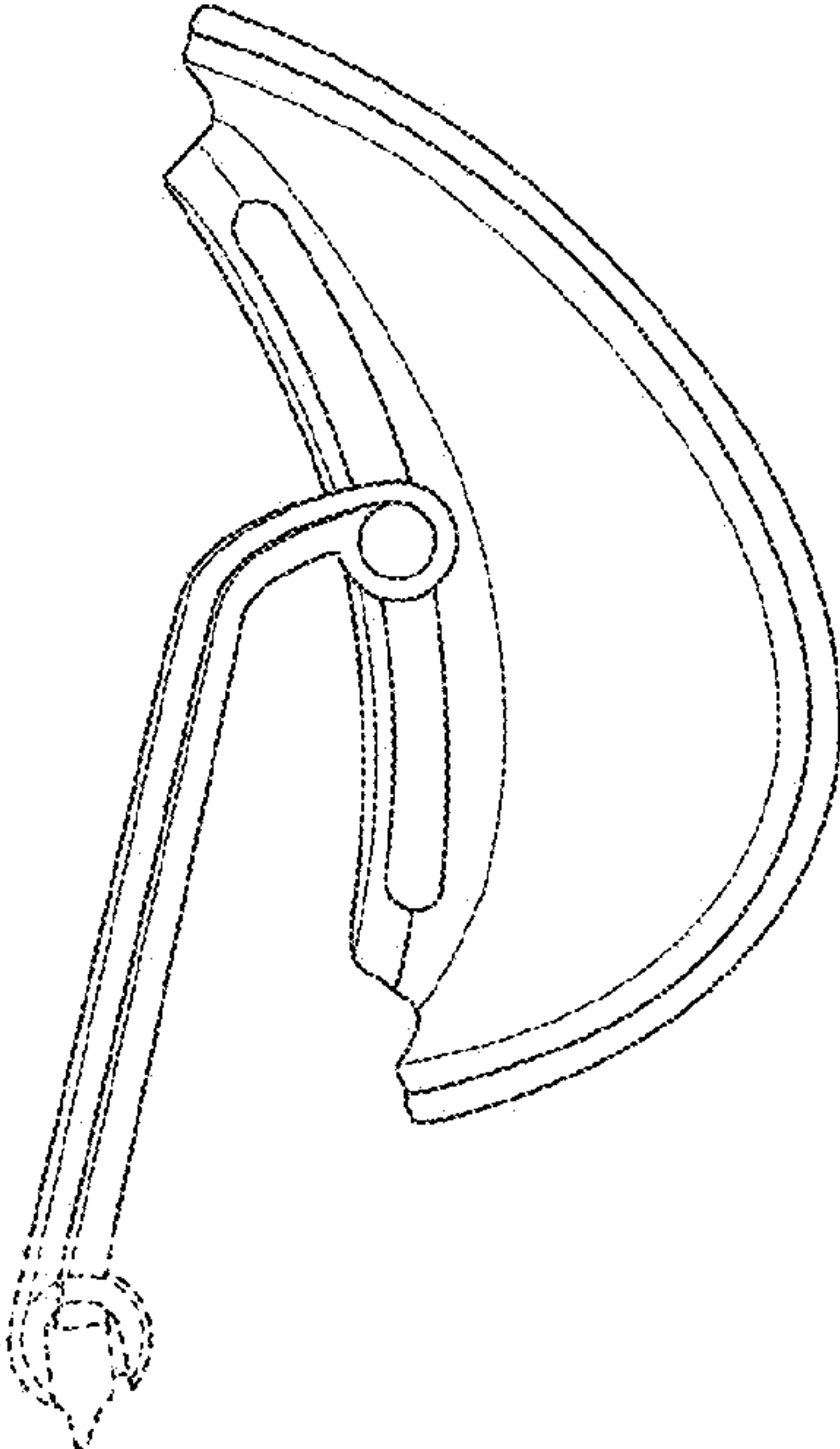


FIG. 6

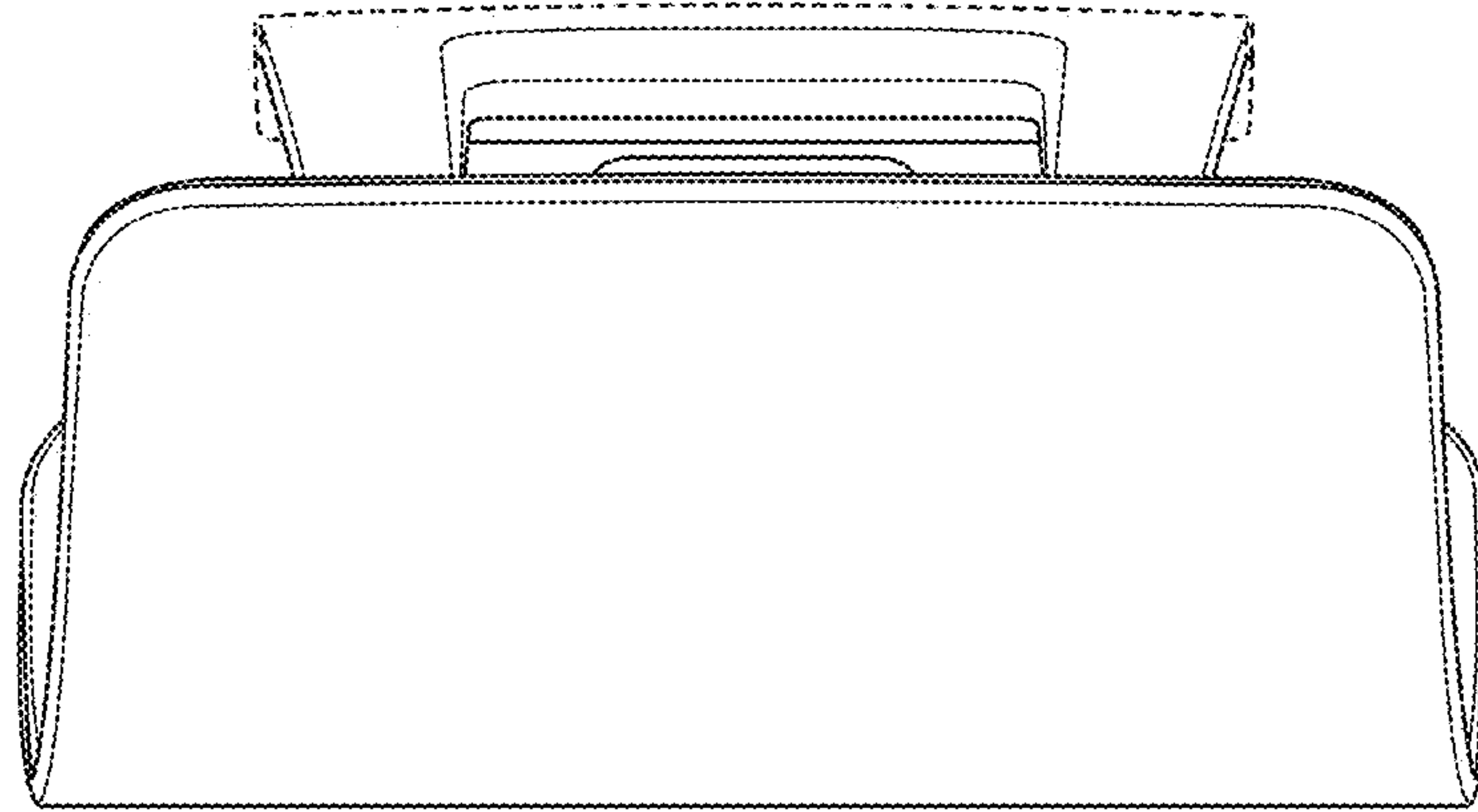


FIG. 7

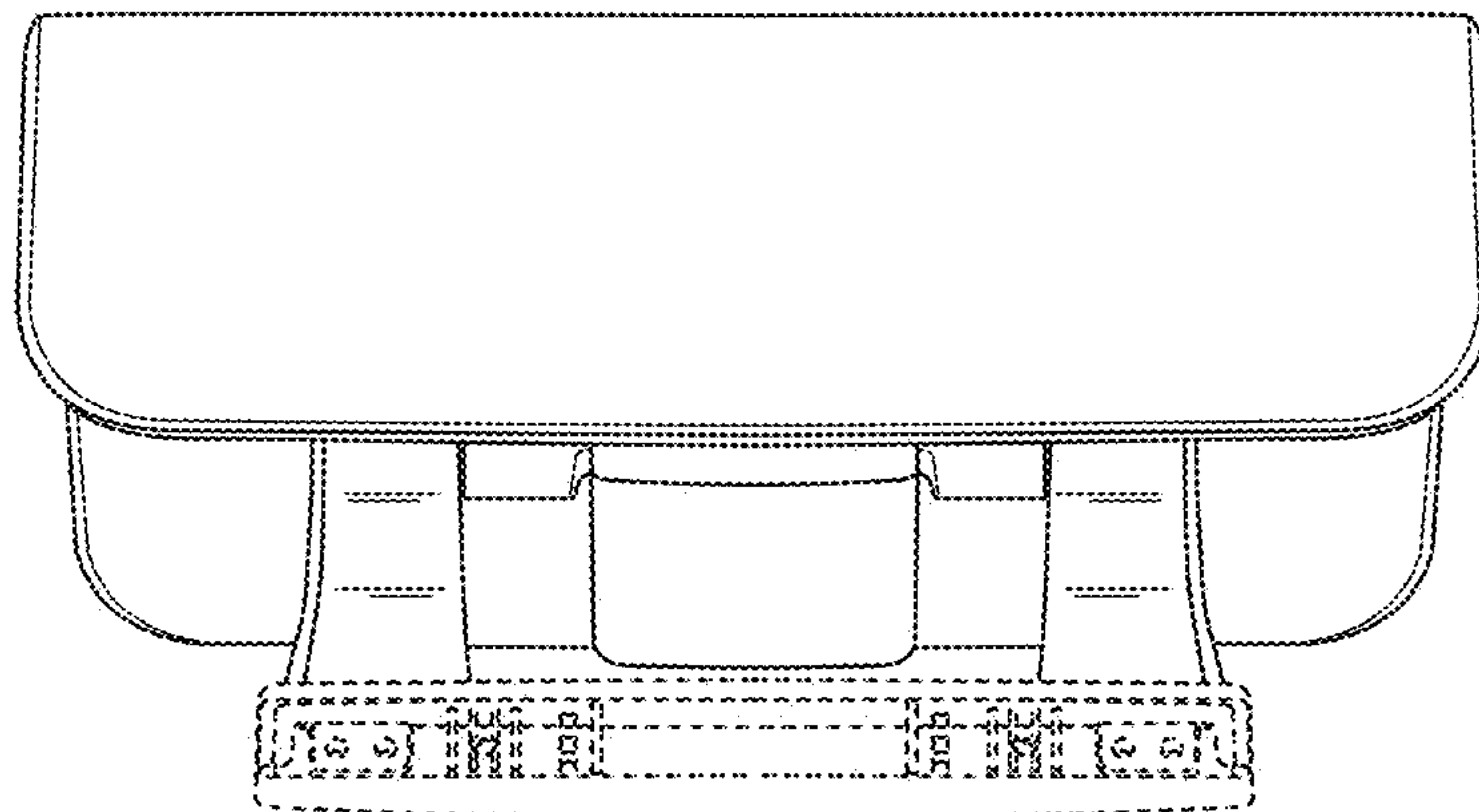


FIG. 8