



US00D760525S

(12) **United States Design Patent**
Piretti

(10) **Patent No.:** **US D760,525 S**
(45) **Date of Patent:** **** Jul. 5, 2016**

(54) **CHAIR**

(71) Applicant: **Pro-Cord S.p.A.**, Bologna (IT)

(72) Inventor: **Giancarlo Piretti**, Bologna (IT)

(73) Assignee: **PRO-CORD S.P.A.**, Bologna (IT)

(**) Term: **14 Years**

(21) Appl. No.: **29/524,497**

(22) Filed: **Apr. 21, 2015**

(51) **LOC (10) Cl.** **06-01**

(52) **U.S. Cl.**
USPC **D6/716; D6/380**

(58) **Field of Classification Search**
USPC D6/334-336, 360, 366, 371, 372, 373,
D6/374, 375, 376, 379, 380, 716, 716.1,
D6/716.4
CPC A47C 3/04; A47C 4/02; A47C 4/03;
A47C 5/04; A47C 3/12; A47C 5/12
See application file for complete search history.

(56) **References Cited**

U.S. PATENT DOCUMENTS

D171,208 S *	12/1953	Jones	297/452.12
D171,210 S *	12/1953	Jones	D6/375
2,997,339 A *	8/1961	Wilson	A47C 3/12 297/239
D207,955 S *	6/1967	Rodrigo	D6/366
4,232,900 A	11/1980	Parker	
D275,060 S *	8/1984	Buhk	D6/360
D289,120 S *	4/1987	Chadwick	D6/380
4,733,910 A *	3/1988	Brennan	A47C 3/04 297/285
4,796,952 A	1/1989	Piretti	
D300,885 S *	5/1989	Ochsner	D6/380
D307,837 S *	5/1990	Grant	D6/372
D367,982 S *	3/1996	Stirling	D6/366
D368,608 S *	4/1996	Stirling	D6/366
5,580,127 A	12/1996	Piretti	
6,149,236 A	11/2000	Bräuning	

D515,331 S	2/2006	Piretti	
7,118,177 B2	10/2006	Piretti	
7,293,833 B2	11/2007	Takeuchi et al.	
7,325,873 B2	2/2008	Stewart et al.	
D564,248 S *	3/2008	Alter Molina	D6/373
D593,761 S *	6/2009	Kaloustian	D6/374
D600,464 S *	9/2009	Olano Jauregui	D6/373
D607,654 S *	1/2010	Fewchuk	D6/374
D611,740 S *	3/2010	Koh	D6/375
D637,839 S	5/2011	Piretti	
D638,641 S	5/2011	Piretti	

(Continued)

FOREIGN PATENT DOCUMENTS

WO 9303653 3/1993

Primary Examiner — Mimoso De

(74) *Attorney, Agent, or Firm* — Andrus Intellectual Property Law, LLP

(57) **CLAIM**

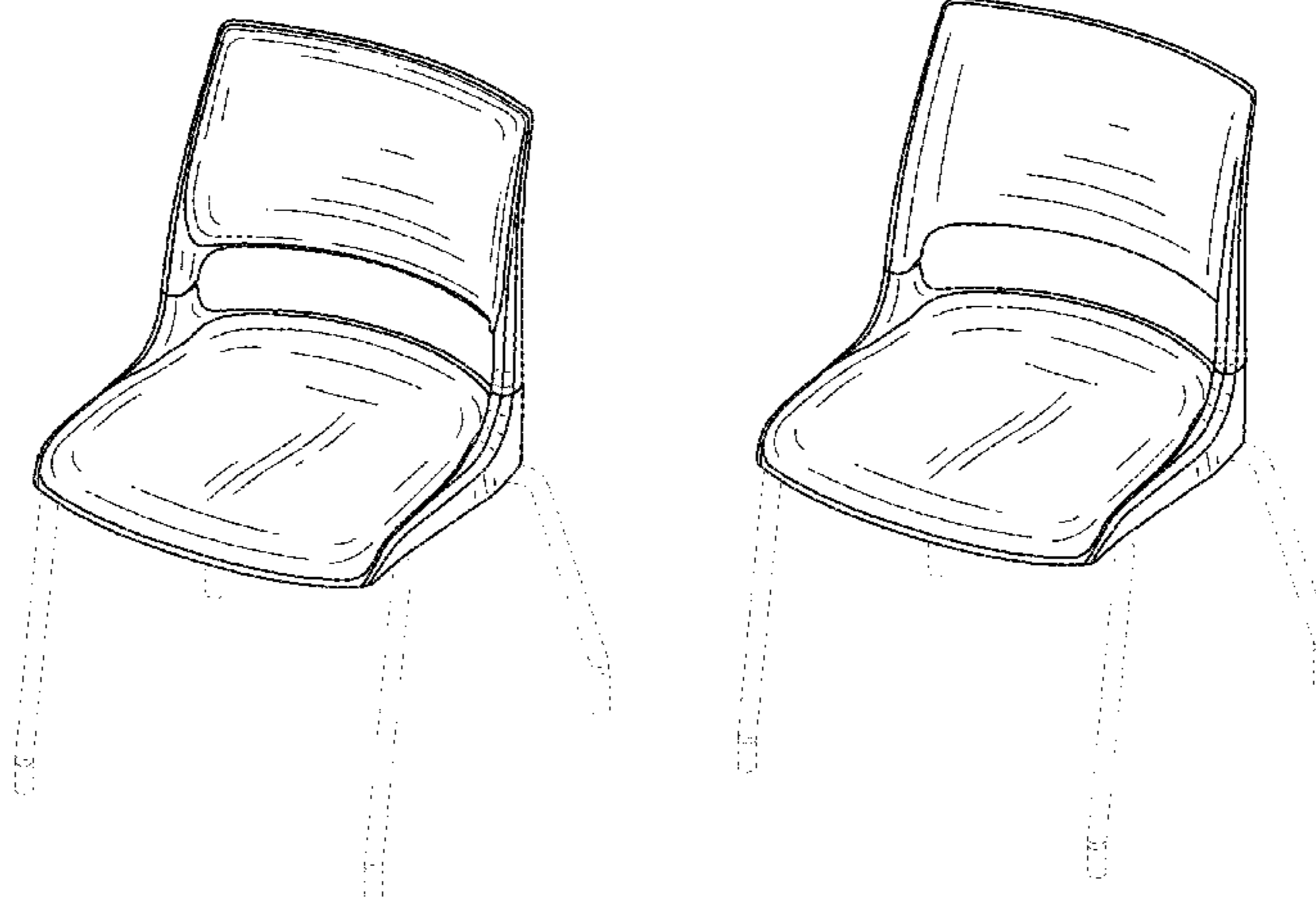
The ornamental design for a chair, as shown and described.

DESCRIPTION

FIG. 1 is an isometric view of a chair;
 FIG. 2 is a front view thereof;
 FIG. 3 is a back view thereof;
 FIG. 4 is a right side view thereof;
 FIG. 5 is a left side view thereof;
 FIG. 6 is a top view thereof;
 FIG. 7 is a bottom view thereof;
 FIG. 8 is an isometric view of a second embodiment of the chair;
 FIG. 9 is a front view thereof;
 FIG. 10 is a back view thereof;
 FIG. 11 is a right side view thereof;
 FIG. 12 is a left side view thereof;
 FIG. 13 is a top view thereof; and,
 FIG. 14 is a bottom view thereof.

The broken lines shown in the drawing Figures are meant to illustrate environment and form no part of the claimed design.

1 Claim, 8 Drawing Sheets



(56)

References Cited

U.S. PATENT DOCUMENTS

D643,652 S 8/2011 Piretti
D650,616 S 12/2011 Piretti
8,113,586 B2 2/2012 Chen
8,177,299 B2 5/2012 Fukai

D672,581 S 12/2012 Piretti
D673,395 S 1/2013 Piretti
D673,396 S 1/2013 Piretti
8,540,315 B2 9/2013 Piretti
8,668,267 B2 3/2014 Piretti
D710,638 S * 8/2014 Bellini D6/716
2012/0098313 A1 4/2012 Cartis et al.

* cited by examiner

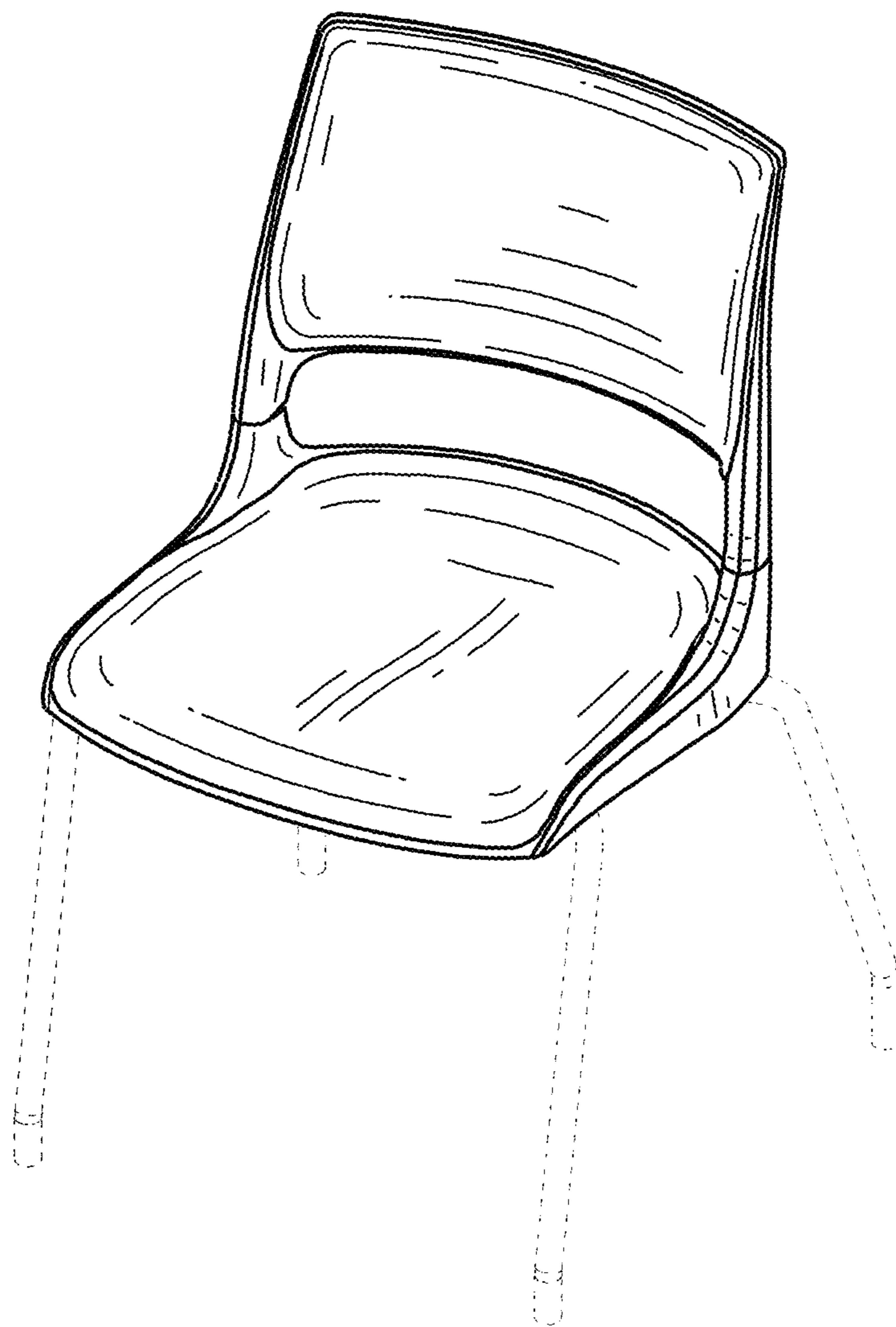


FIG. 1

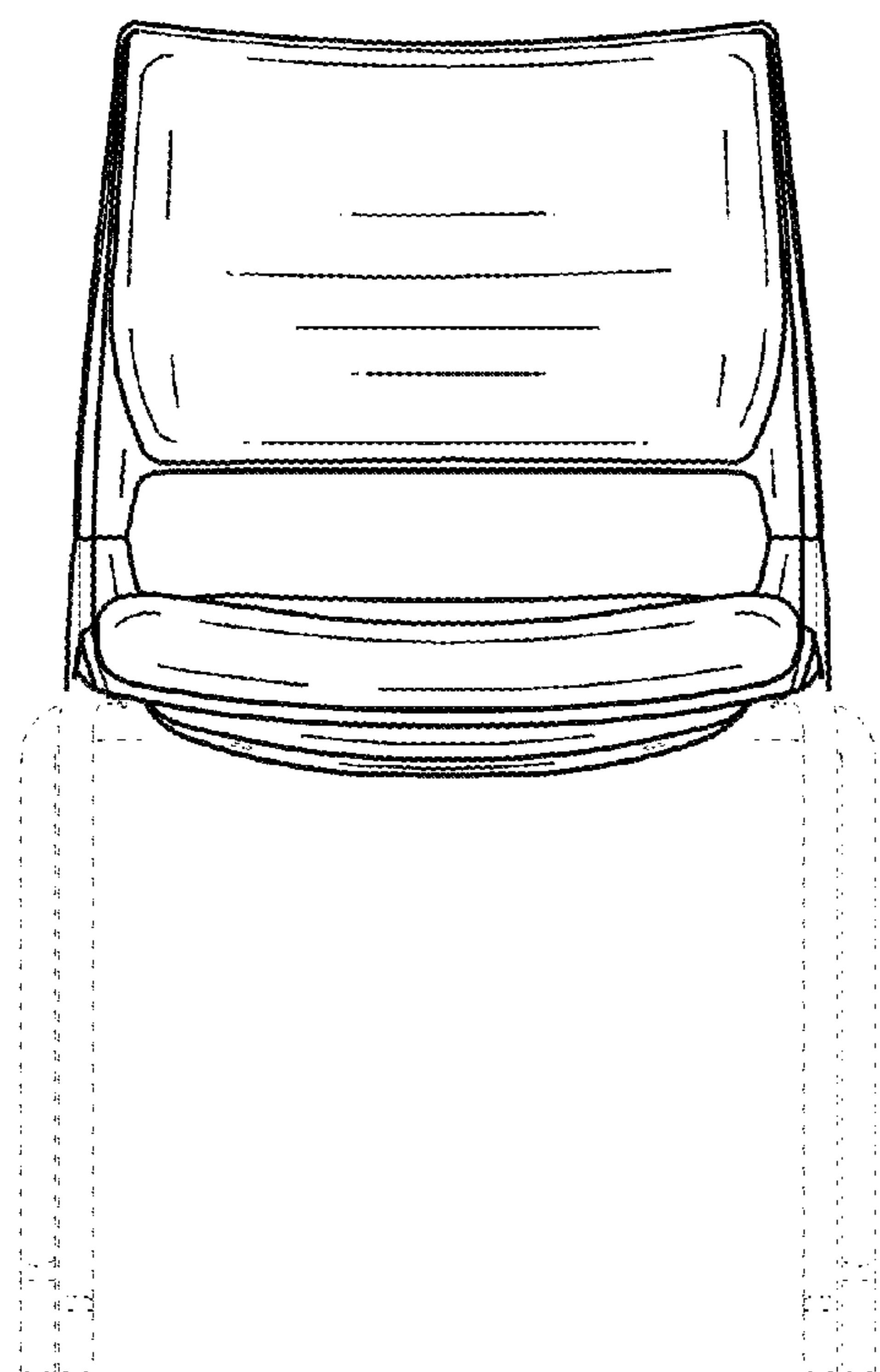


FIG. 2

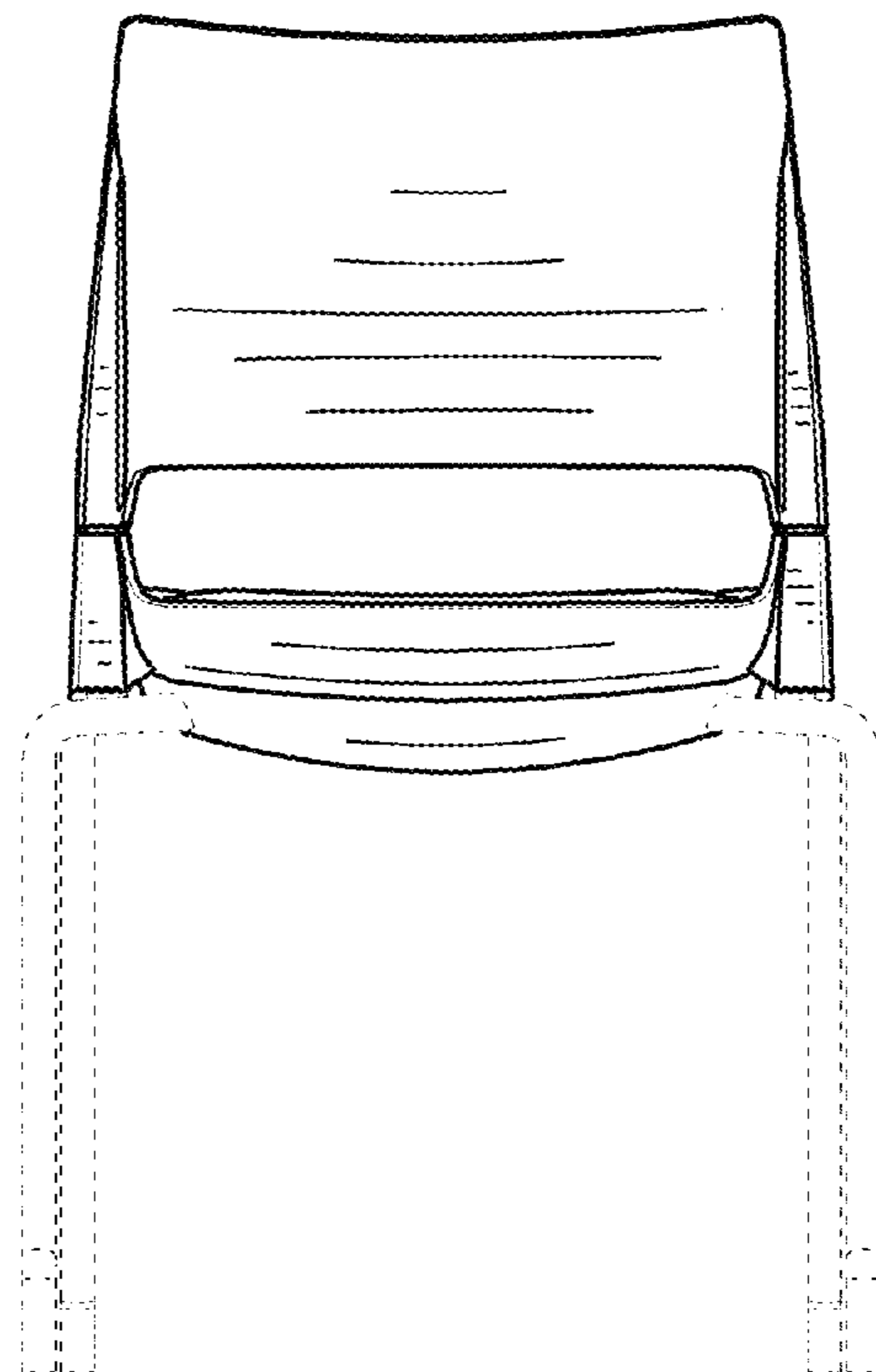


FIG. 3

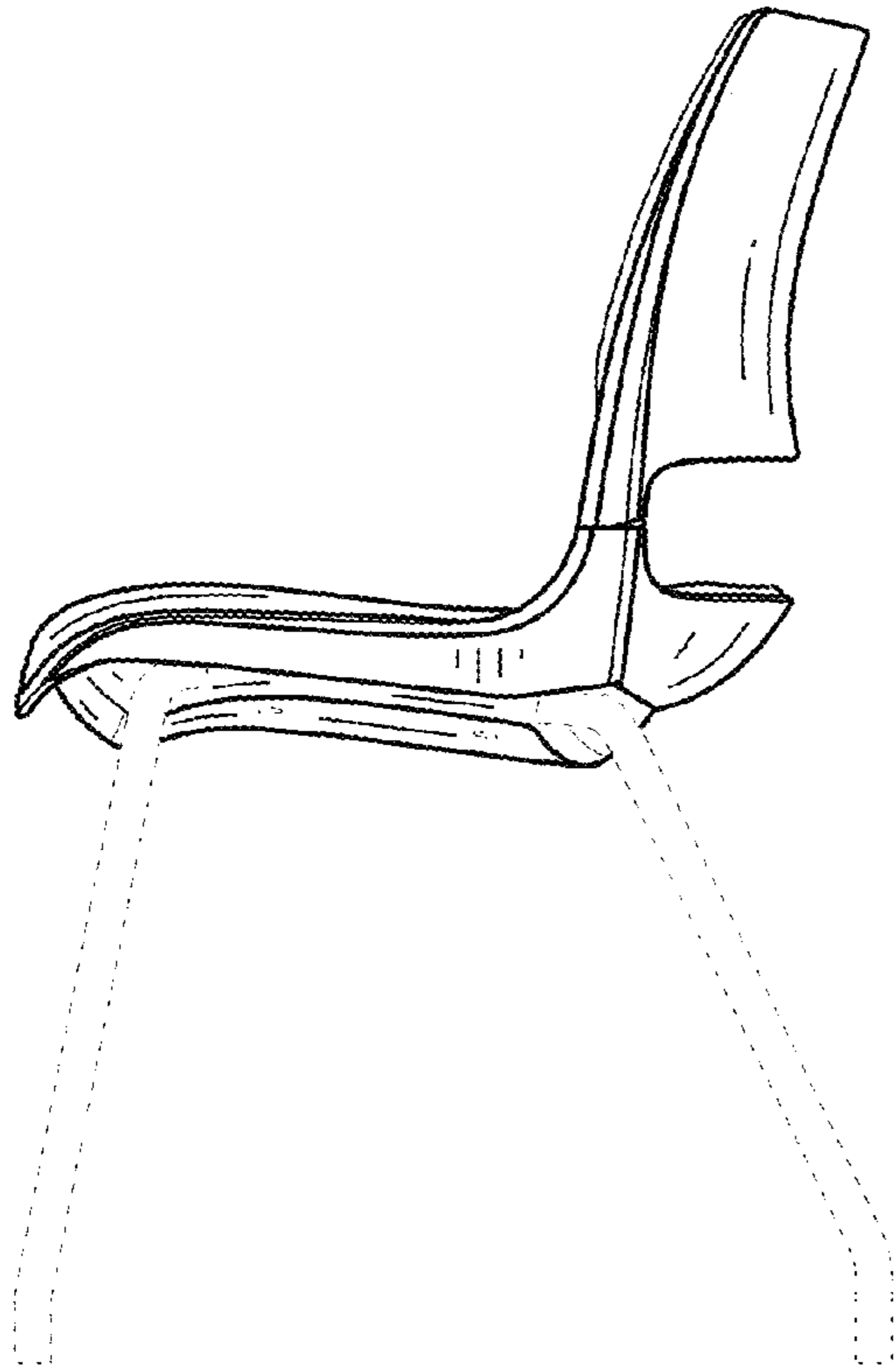


FIG. 4

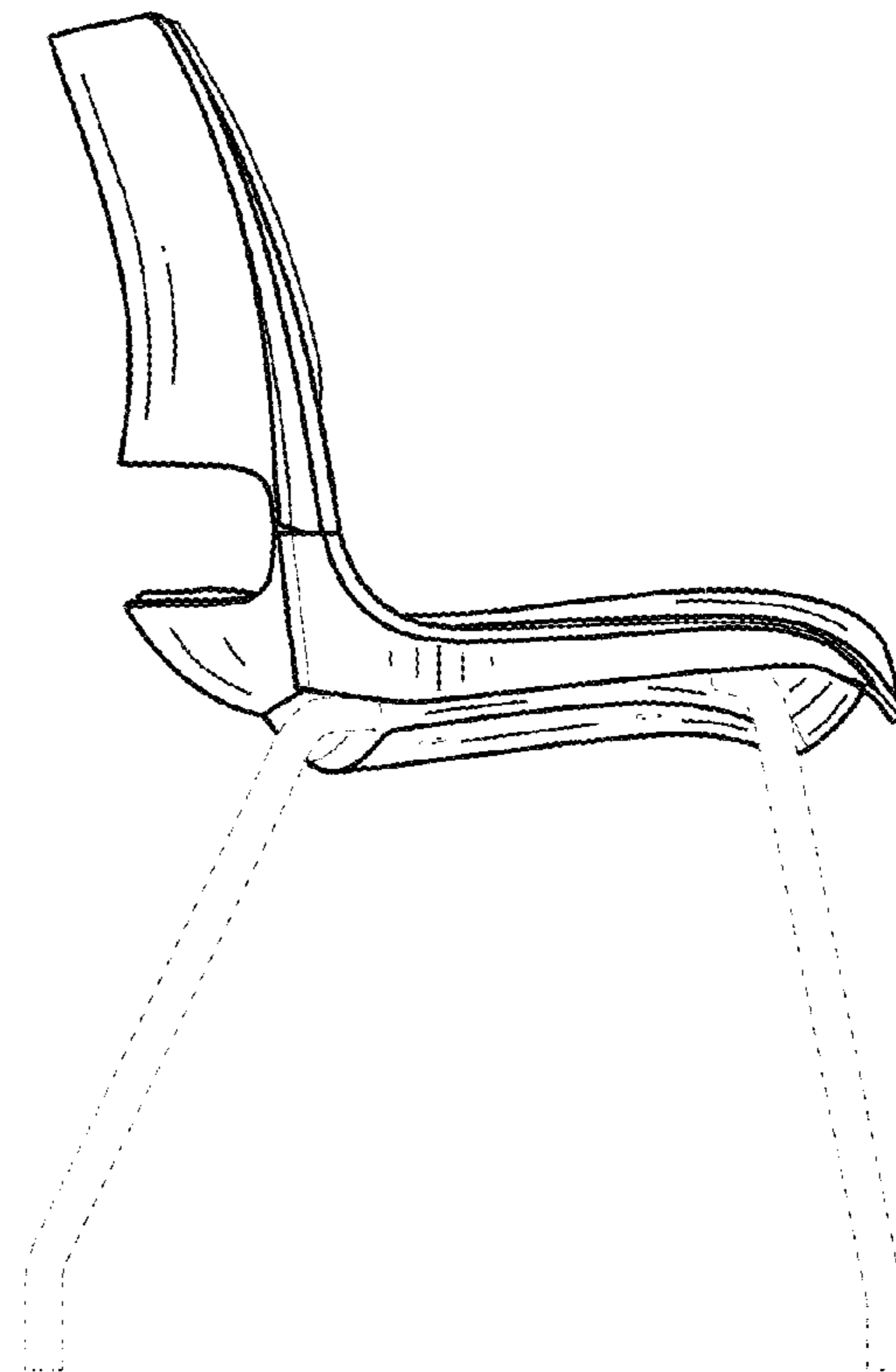


FIG. 5

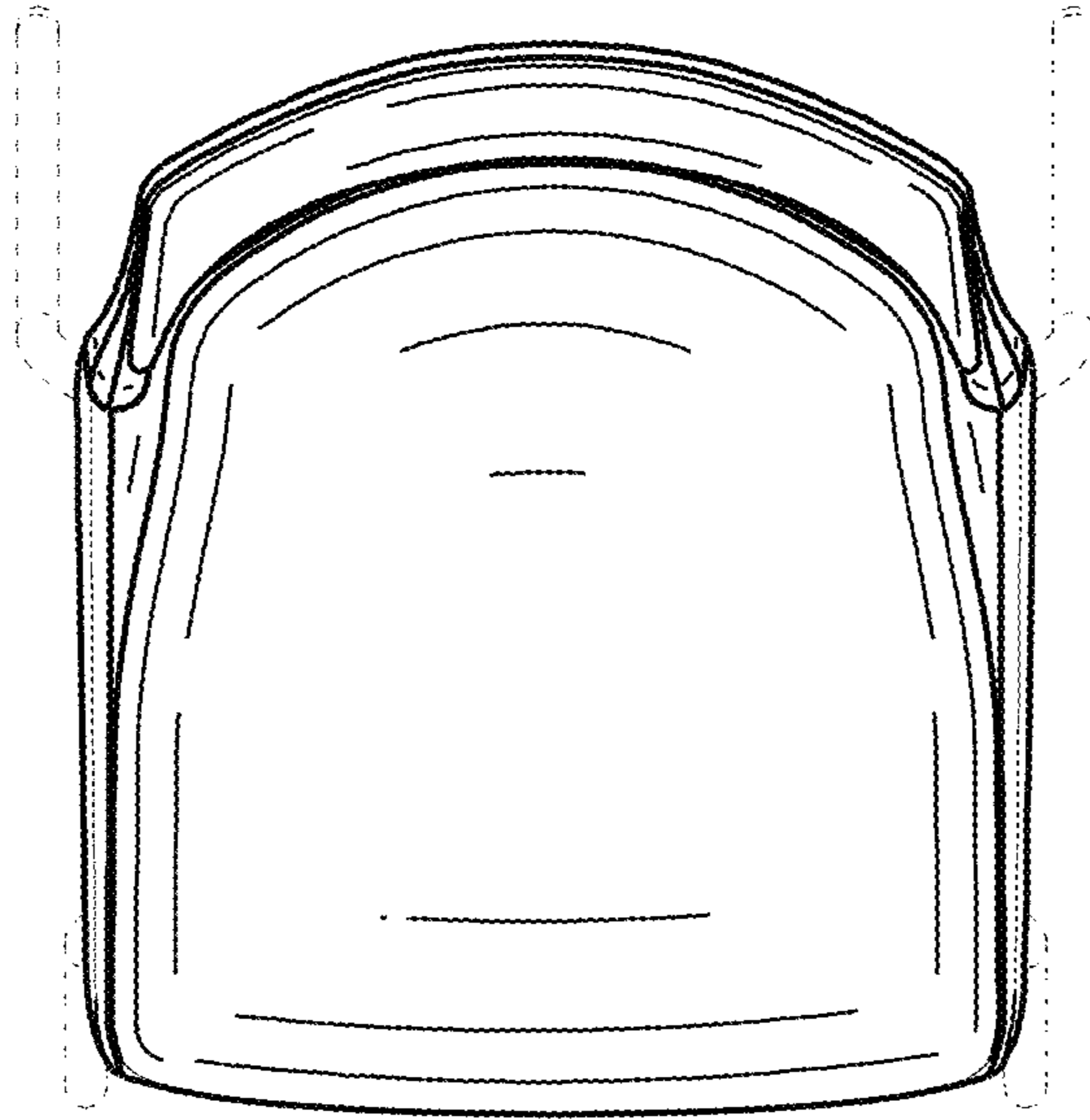


FIG. 6

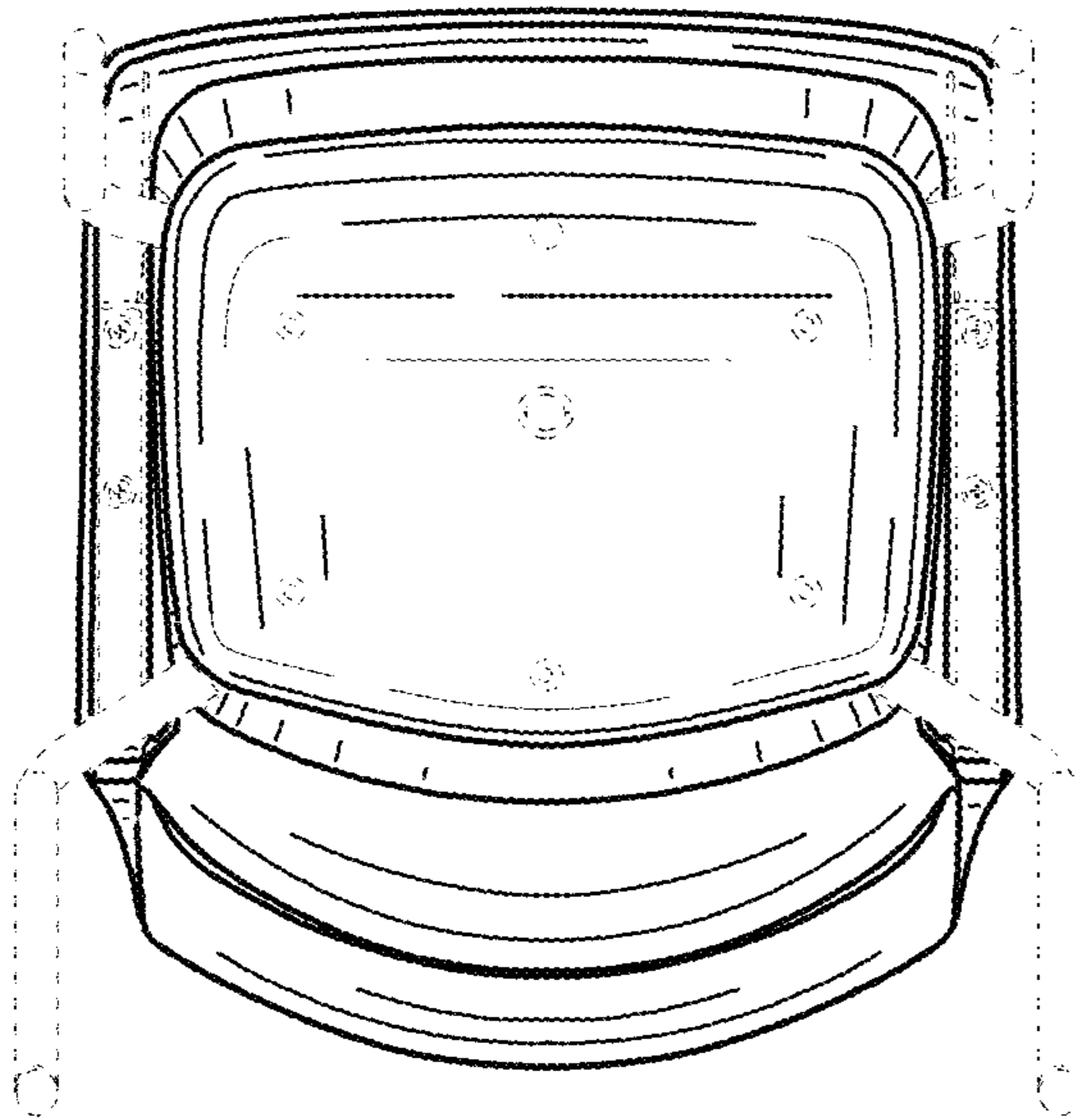


FIG. 7

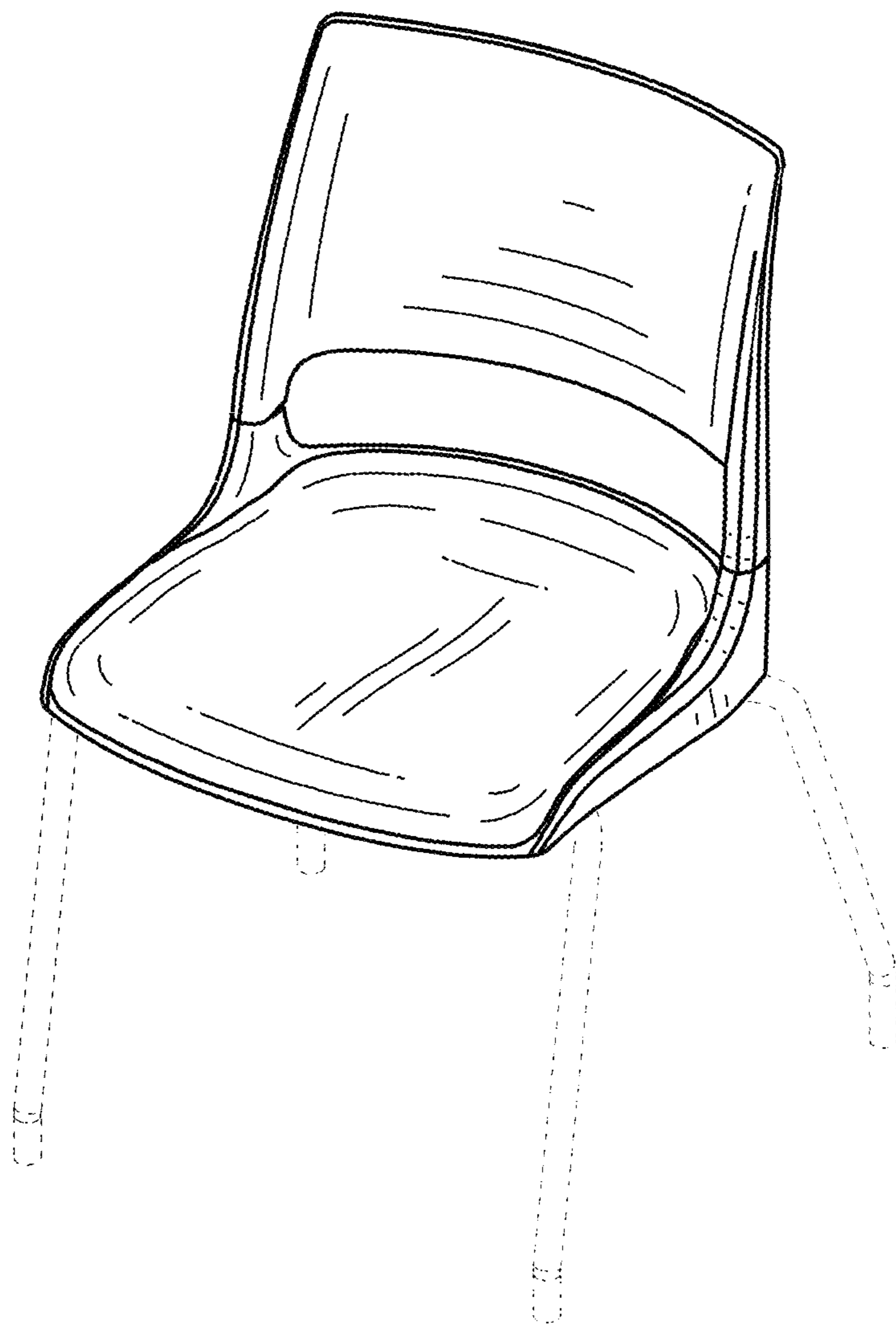


FIG. 8

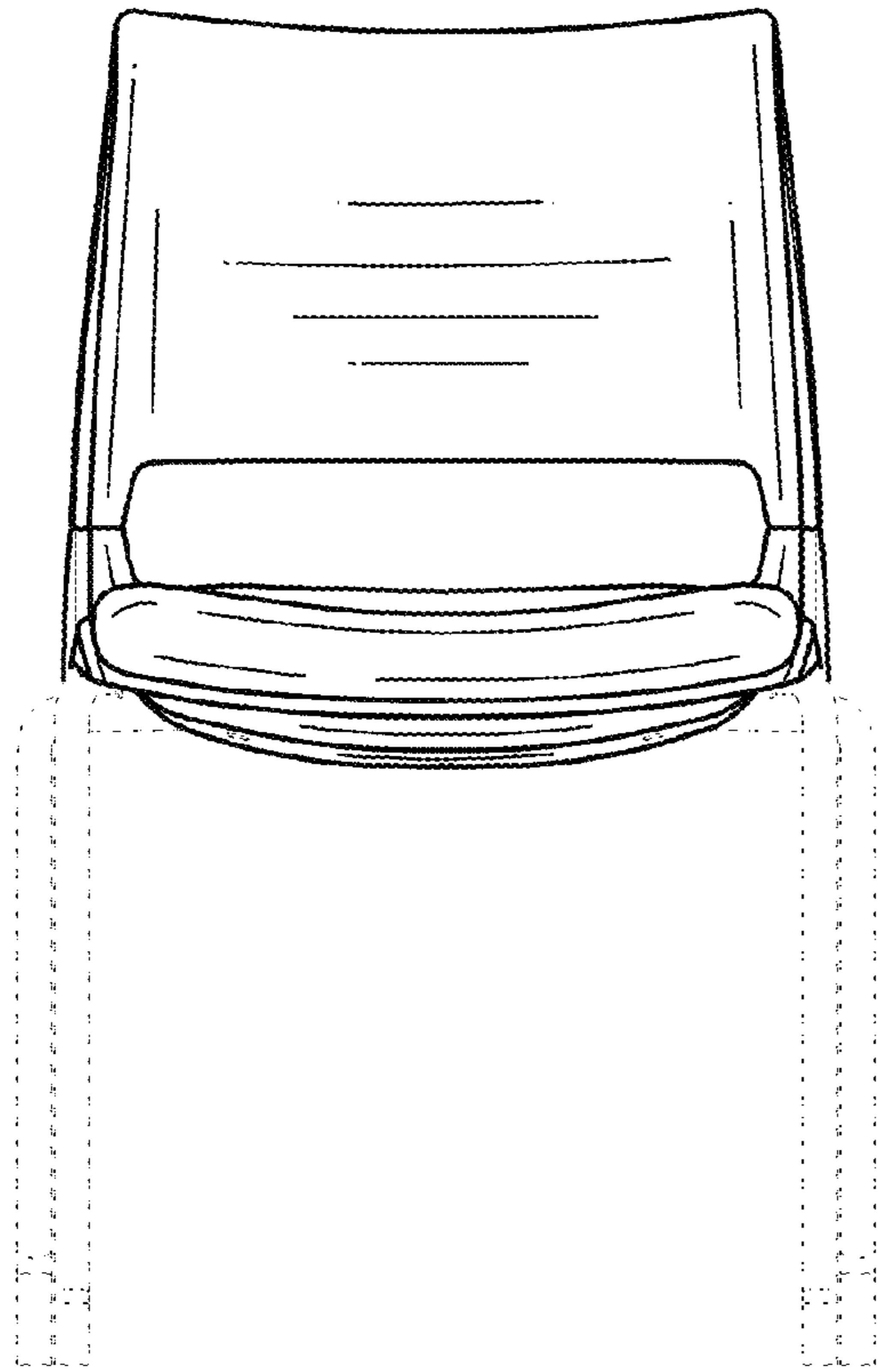


FIG. 9

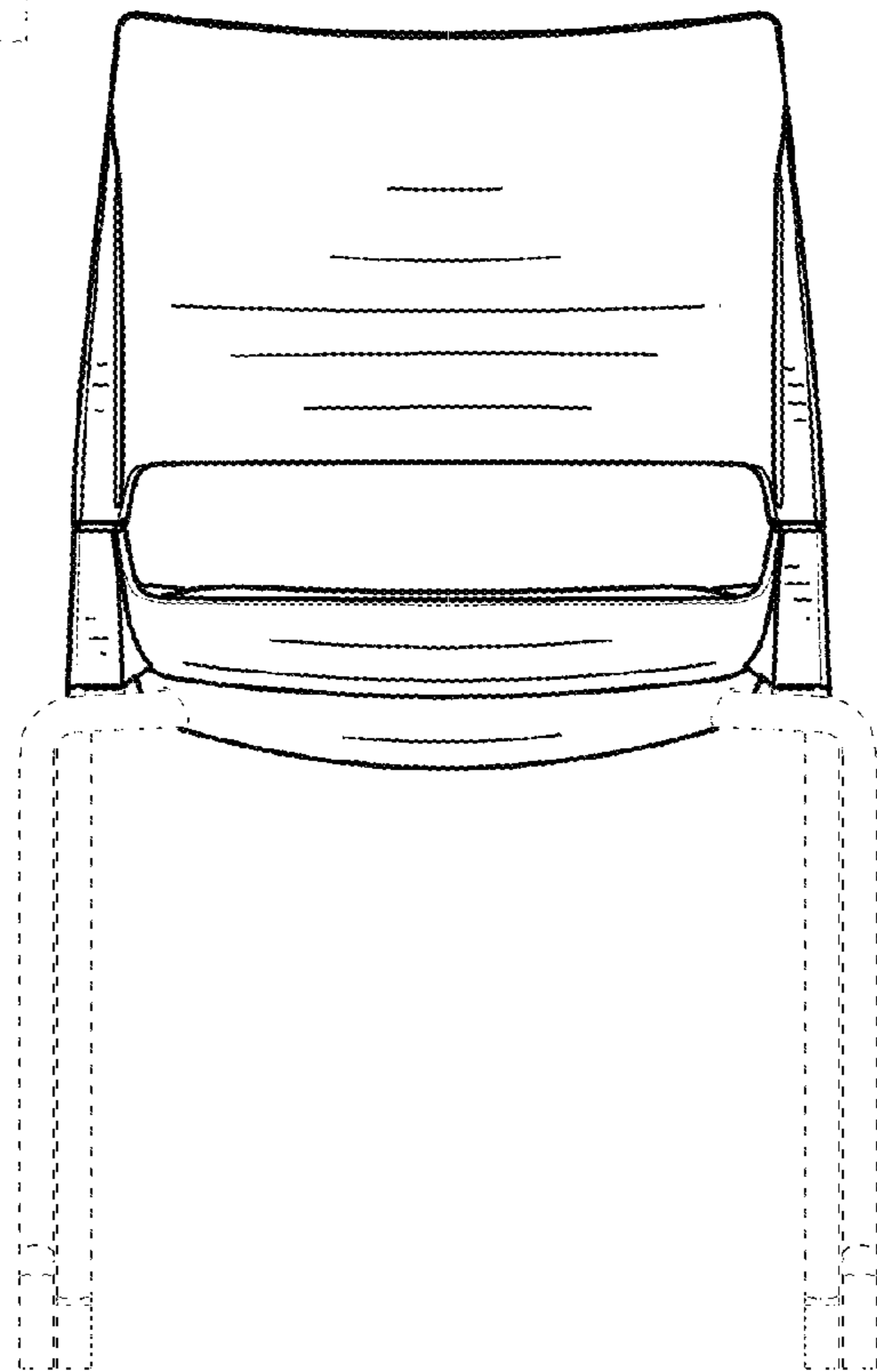


FIG. 10

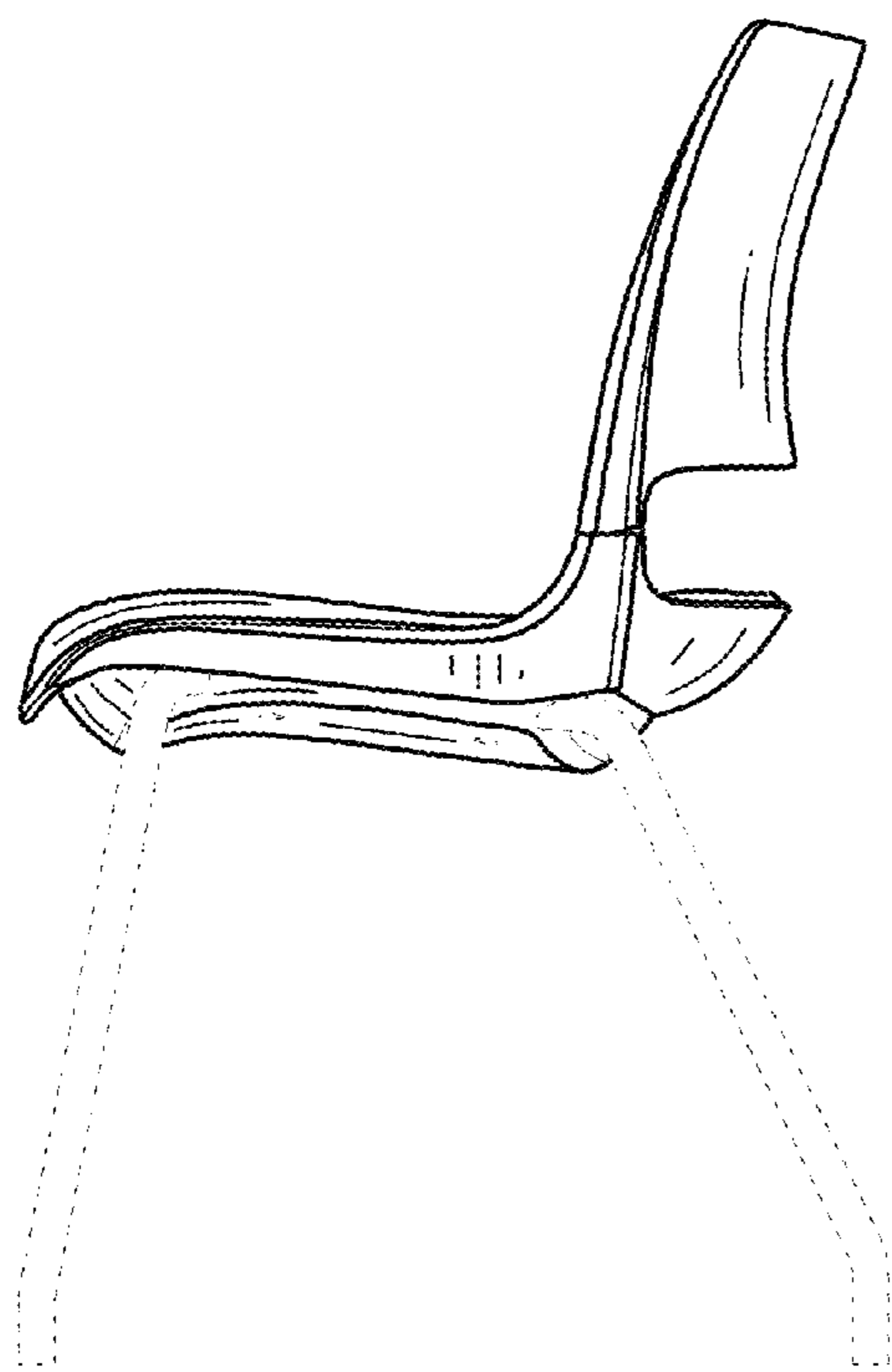


FIG. 11

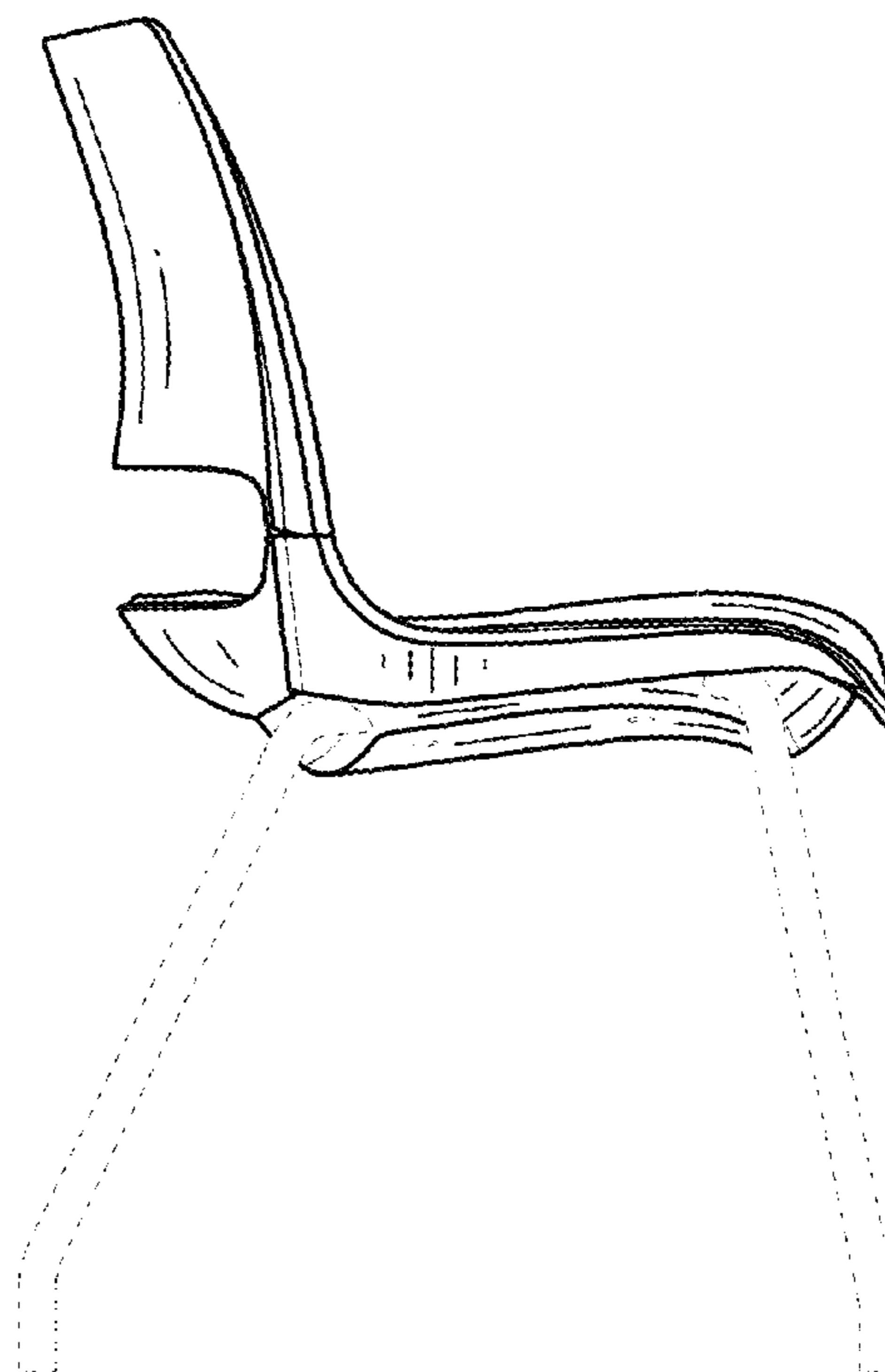


FIG. 12

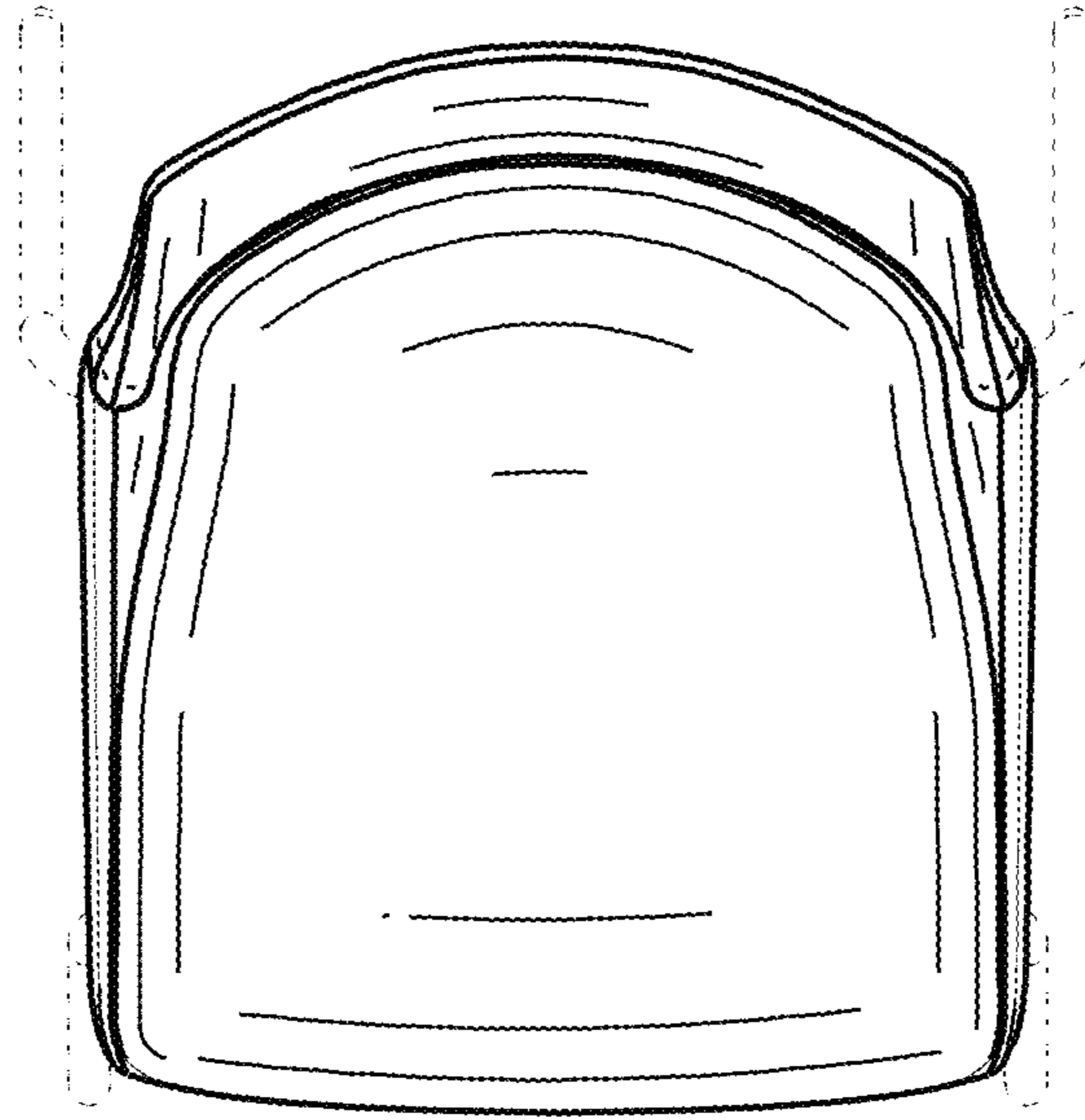


FIG. 13

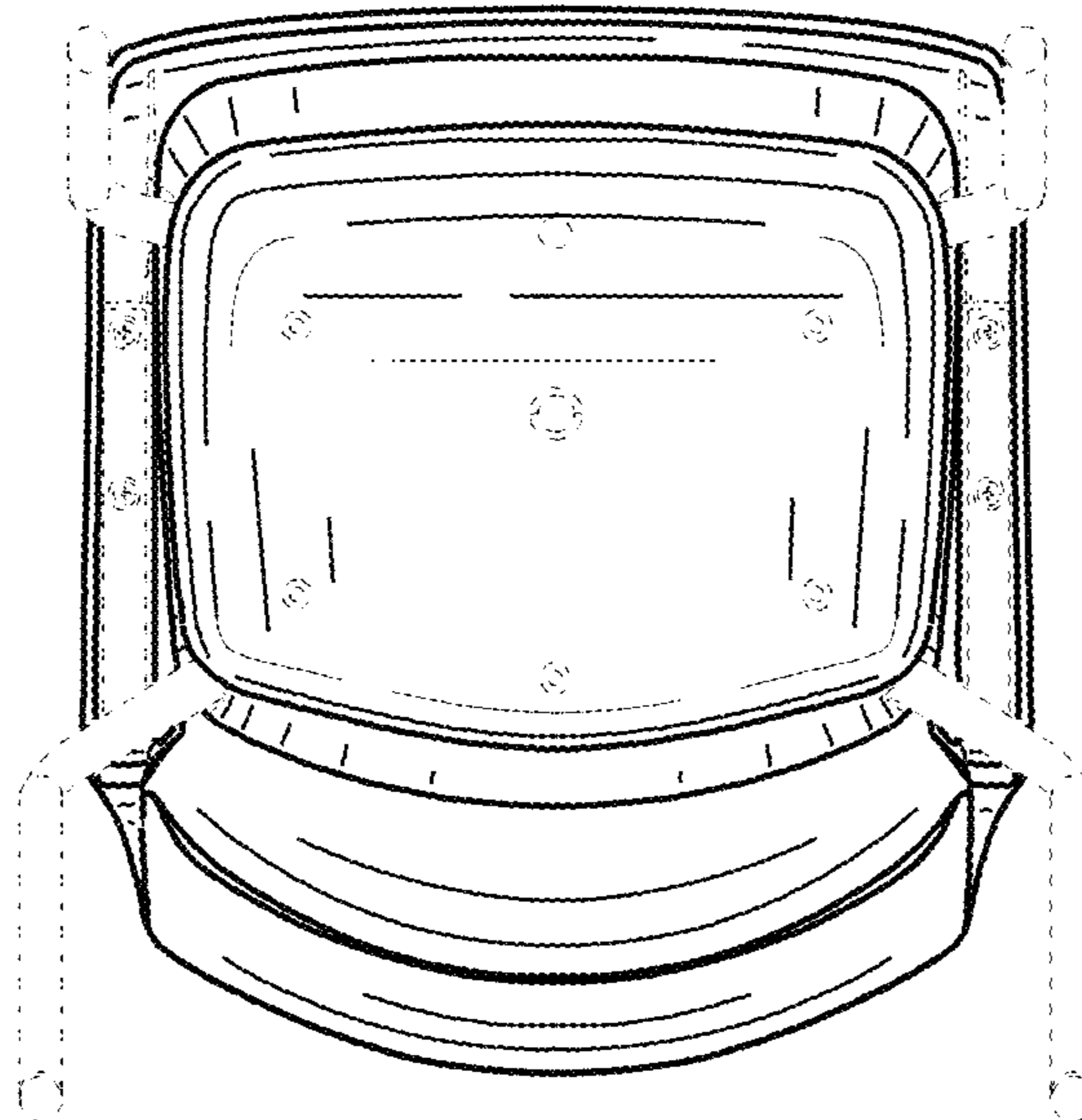


FIG. 14