



US00D760523S

(12) **United States Design Patent**
Bonuccelli et al.

(10) **Patent No.:** **US D760,523 S**

(45) **Date of Patent:** **** Jul. 5, 2016**

(54) **LEG FOR FURNITURE**

(71) Applicant: **Unifor S.p.A.**, Como (IT)

(72) Inventors: **Dante Bonuccelli**, Como (IT); **Piero Molteni**, Como (IT)

(73) Assignee: **Unifor S.p.A.**, Como (IT)

(**) Term: **14 Years**

(21) Appl. No.: **29/493,780**

(22) Filed: **Jun. 13, 2014**

(30) **Foreign Application Priority Data**

Dec. 16, 2013 (EM) 002370817

(51) **LOC (10) CL.** **06-06**

(52) **U.S. CL.**
USPC **D6/709; D6/712; D25/122**

(58) **Field of Classification Search**
USPC D6/709, 709.21, 710, 708.23, 718, 712,
D6/648.1, 656, 656.12, 656.17
CPC A47C 19/024; A47C 19/025; A47C 19/02;
A47B 91/00; A47B 13/00; A47B 2013/2013;
A47B 2013/025; A47B 91/02; A47B 91/022;
A47B 2200/0032; A47B 2200/0052; A47B
2200/005

See application file for complete search history.

(56) **References Cited**

U.S. PATENT DOCUMENTS

D30,693	S	*	5/1899	Fredericks	D6/708.17
D291,006	S	*	7/1987	Minichillo	D25/122
D324,615	S	*	3/1992	Diffrient	D6/709
D371,703	S	*	7/1996	Muller-Deisig	D6/656.13
D379,127	S	*	5/1997	Schacht	D6/709
D391,789	S	*	3/1998	Schacht	D25/125
5,957,062	A	*	9/1999	Cox	A47B 3/0815 108/133

* cited by examiner

Primary Examiner — Janice Seeger

(74) *Attorney, Agent, or Firm* — Thomas|Horstemeyer, LLP

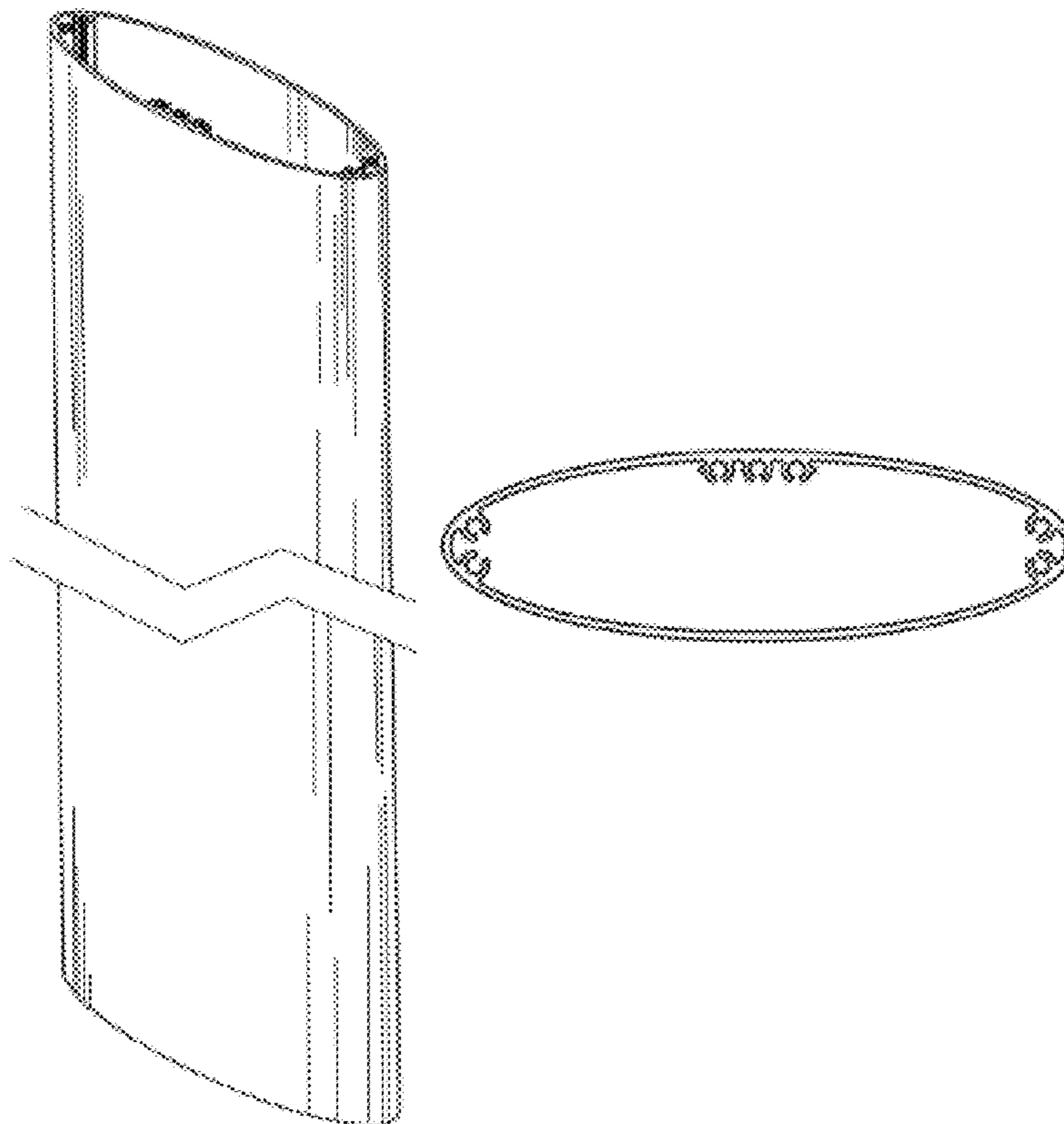
(57) **CLAIM**

The ornamental design for a leg for furniture, as shown and described.

DESCRIPTION

FIG. 1 is a perspective view of our new leg for furniture;
FIG. 2 is a front elevational view of our new leg for furniture of FIG. 1, the back elevational view being a mirror image thereof;
FIG. 3 is a side elevational view of our new leg for furniture of FIG. 1, the opposite side view being a mirror image thereof; and,
FIG. 4 is a top view of our new leg for furniture.

1 Claim, 4 Drawing Sheets



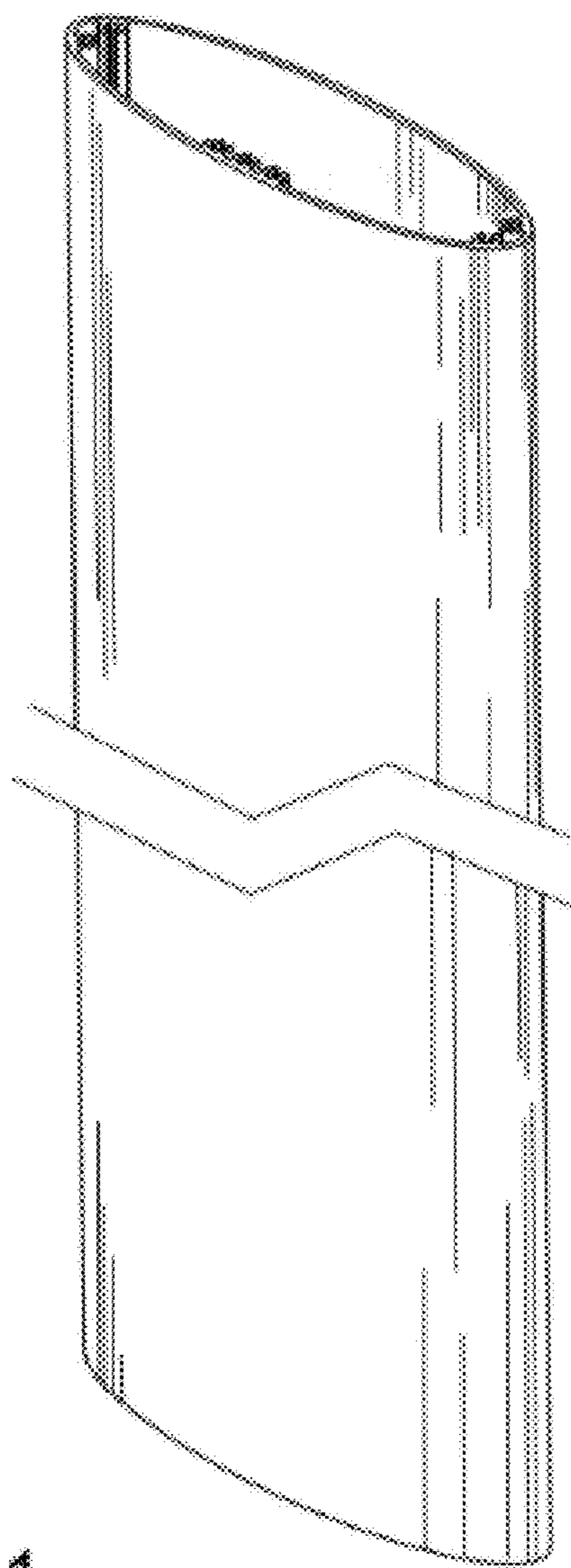


FIG. 1

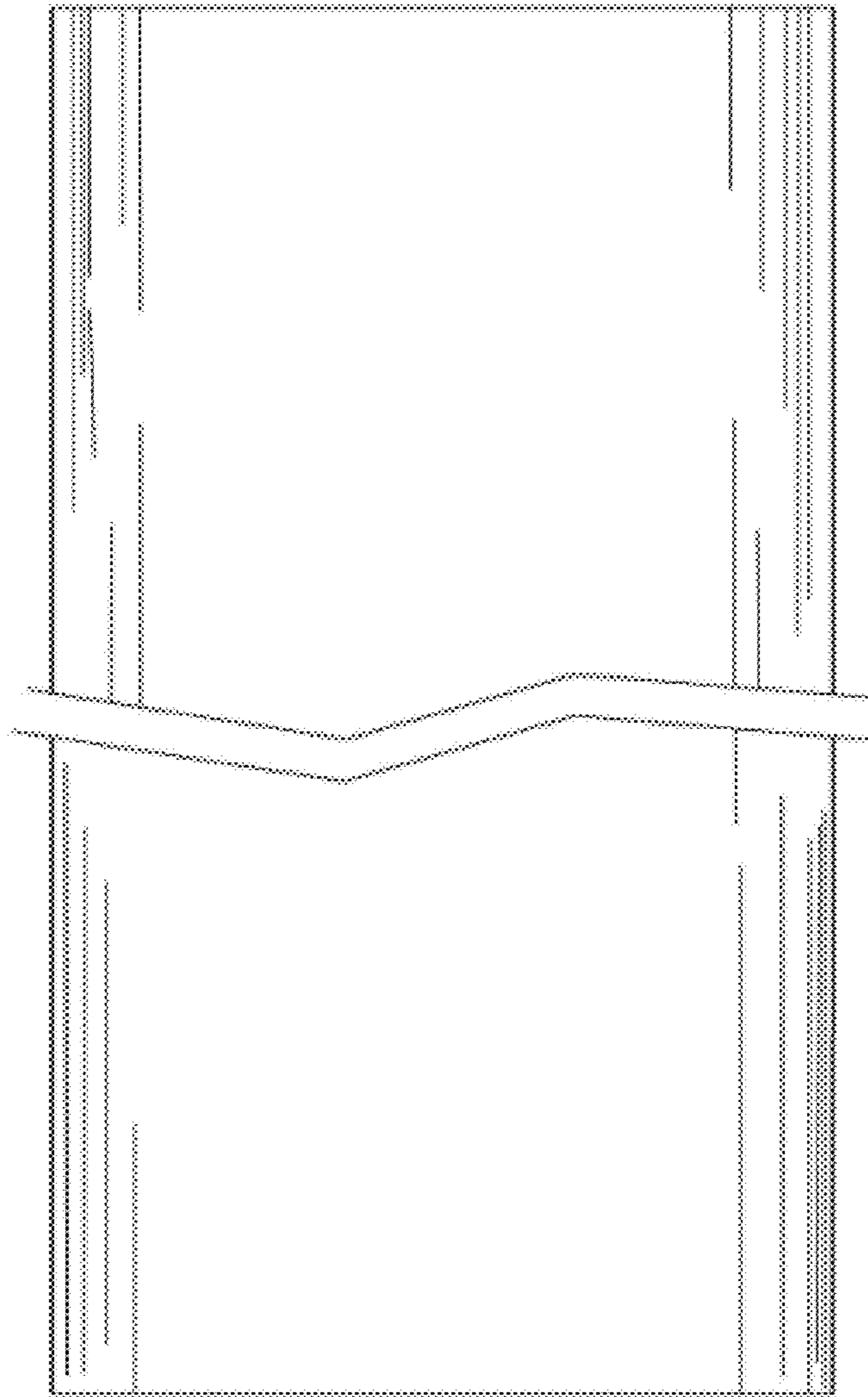


FIG. 2

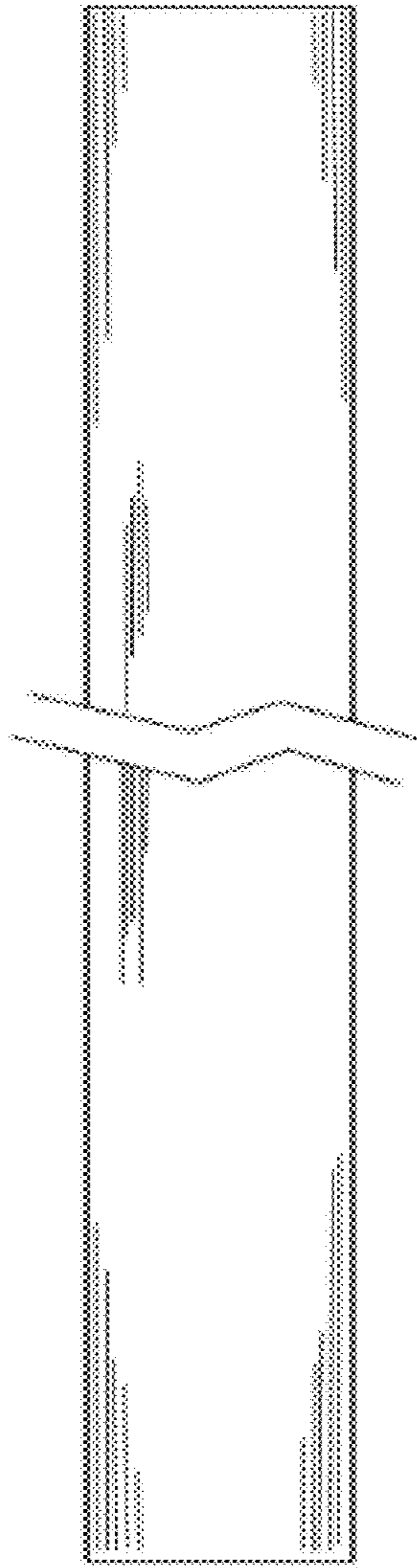


FIG. 3

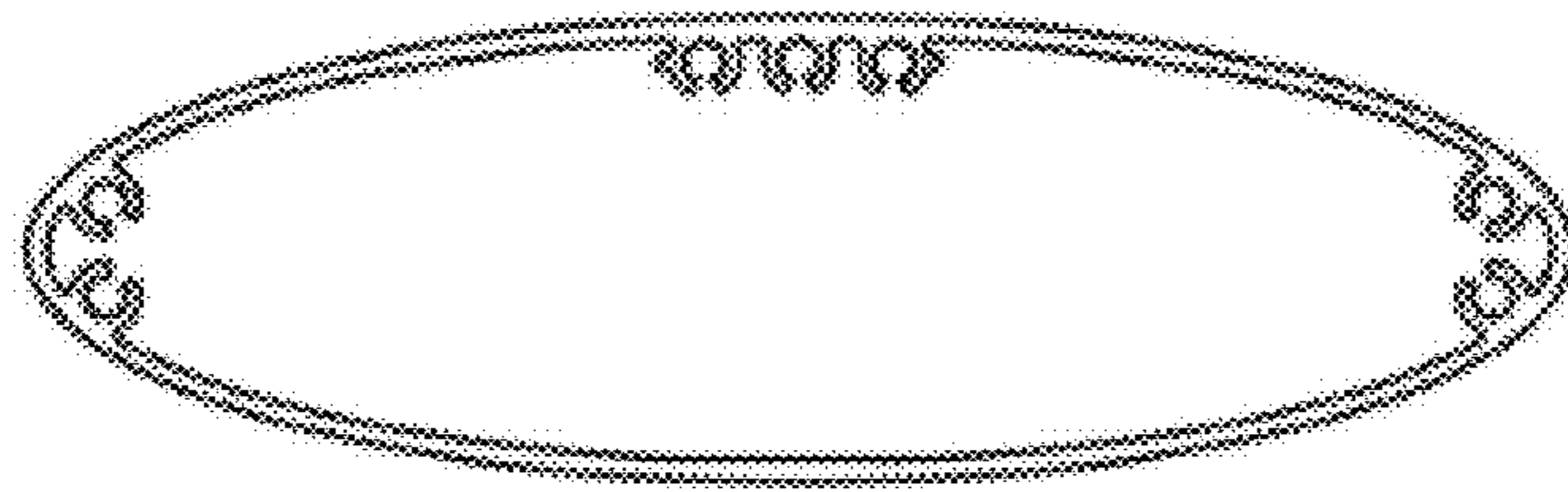


FIG. 4