



US00D760520S

(12) **United States Design Patent**
Liu

(10) **Patent No.:** **US D760,520 S**
(45) **Date of Patent:** **** Jul. 5, 2016**

(54) **WORKTABLE**

(71) Applicant: **Chia-Ming Liu**, Yun-Lin County (TW)

(72) Inventor: **Chia-Ming Liu**, Yun-Lin County (TW)

(**) Term: **14 Years**

(21) Appl. No.: **29/514,550**

(22) Filed: **Jan. 14, 2015**

(51) **LOC (10) Cl.** **06-06**

(52) **U.S. Cl.**
USPC **D6/707.19**

(58) **Field of Classification Search**
USPC D6/663, 664, 667, 671, 671.1, 671.2,
D6/655, 655.1, 707.19; D34/19

CPC A47B 17/04; A47B 45/00; A47B 67/00;
A47B 67/04; A47B 88/04; A47B 87/00;
A47B 13/08

See application file for complete search history.

(56) **References Cited**

U.S. PATENT DOCUMENTS

D139,859 S *	12/1944	Kump, Jr.	D6/671
D214,453 S *	6/1969	Anker	D6/655
D232,166 S *	7/1974	Salsgiver	D34/19
D244,074 S *	4/1977	Zola	D6/671
4,120,549 A *	10/1978	Bureau	A47B 67/04 312/330.1

D313,517 S *	1/1991	Ugalde	D6/655.1
D387,926 S *	12/1997	Blaesing	D6/671
D432,817 S *	10/2000	Gallien	D6/671
D521,284 S *	5/2006	Belhumeur	D6/707.19
D723,841 S *	3/2015	Troyner	D6/671.2
D733,474 S *	7/2015	Fishman	D6/707.19
D752,373 S *	3/2016	Bergum	D6/707.19

* cited by examiner

Primary Examiner — Mimoso De

(74) *Attorney, Agent, or Firm* — LeClairRyan

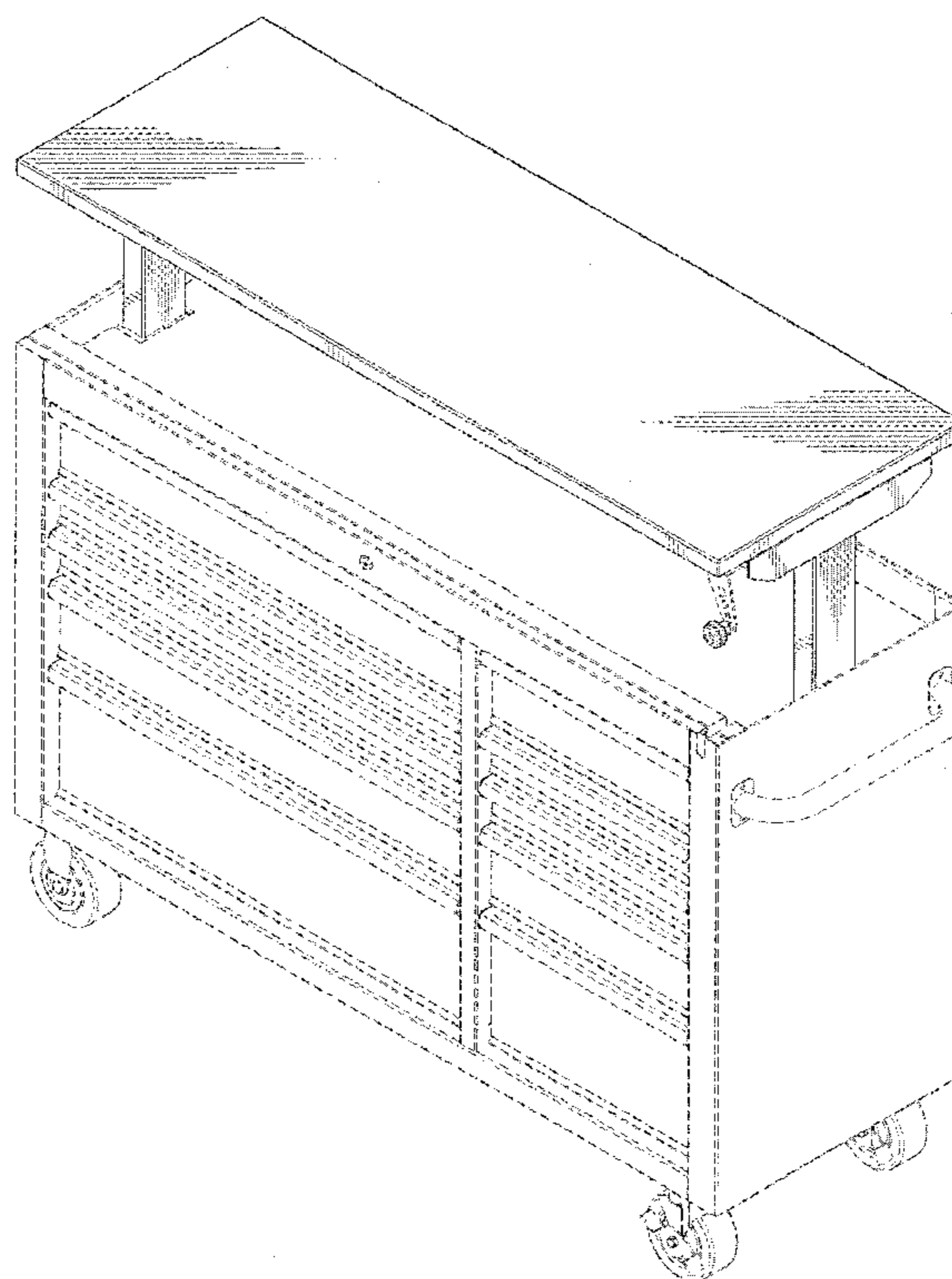
(57) **CLAIM**

The ornamental design for worktable, as shown and described.

DESCRIPTION

FIG. 1 is a perspective view of worktable showing my new design;
FIG. 2 is a front elevational view thereof;
FIG. 3 is a rear elevational view thereof;
FIG. 4 is a left side elevational view thereof;
FIG. 5 is a right side elevational view thereof;
FIG. 6 is a top plan view thereof;
FIG. 7 is a bottom plan view thereof; and,
FIG. 8 is a perspective view of the design in state of use.
The portions shown in dashed line do not form part of the design.

1 Claim, 8 Drawing Sheets



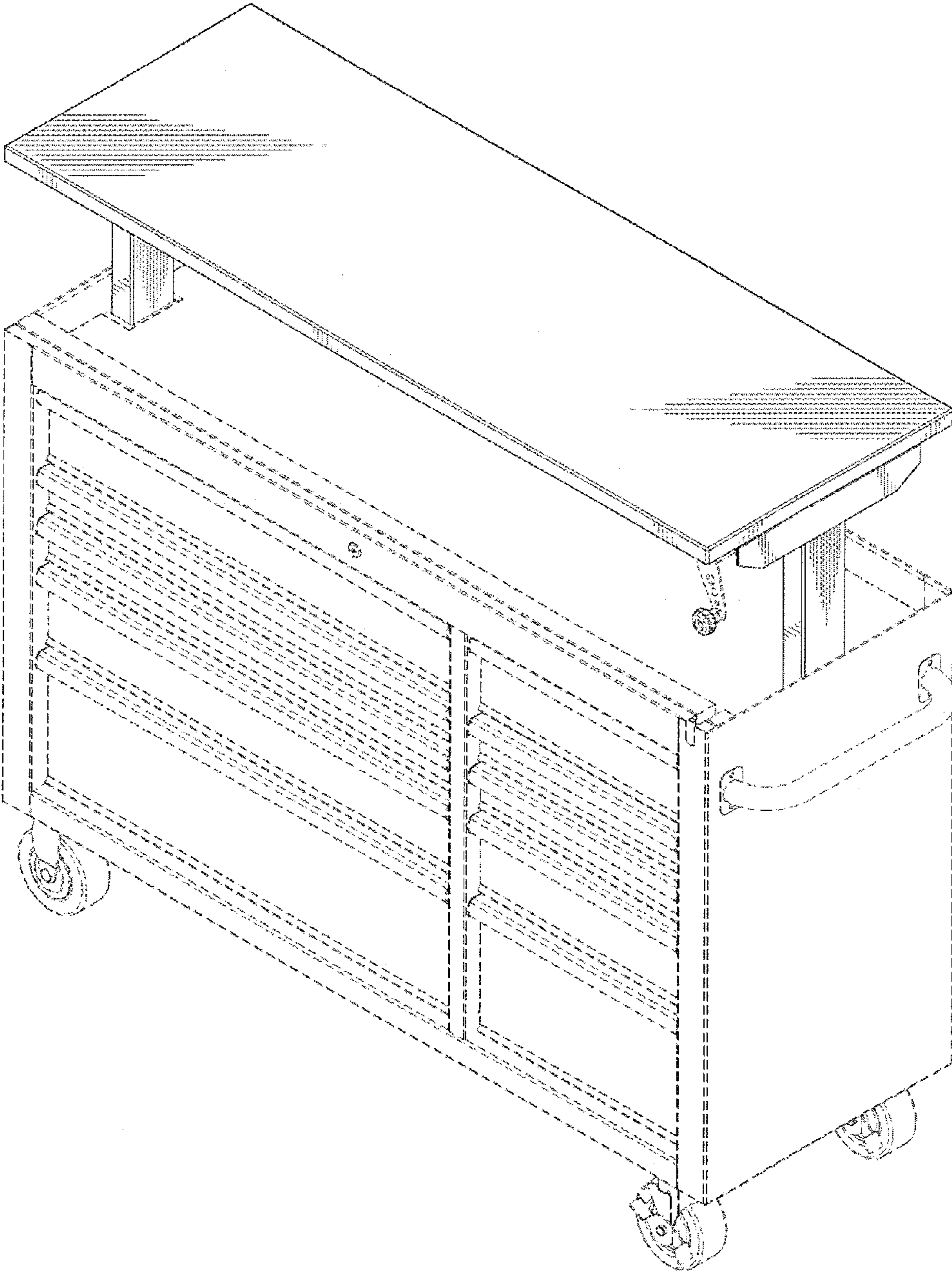


FIG. 1

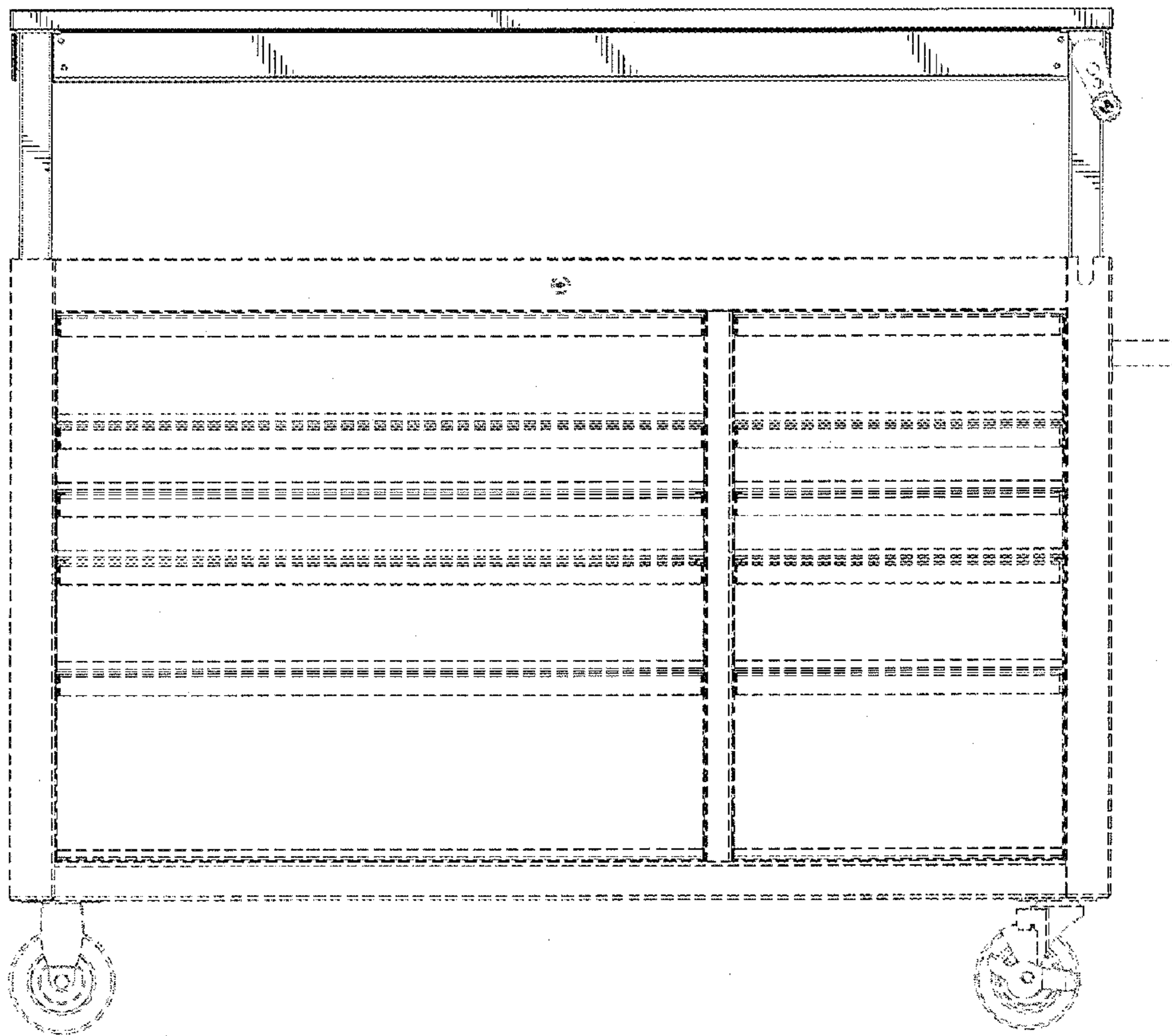


FIG. 2

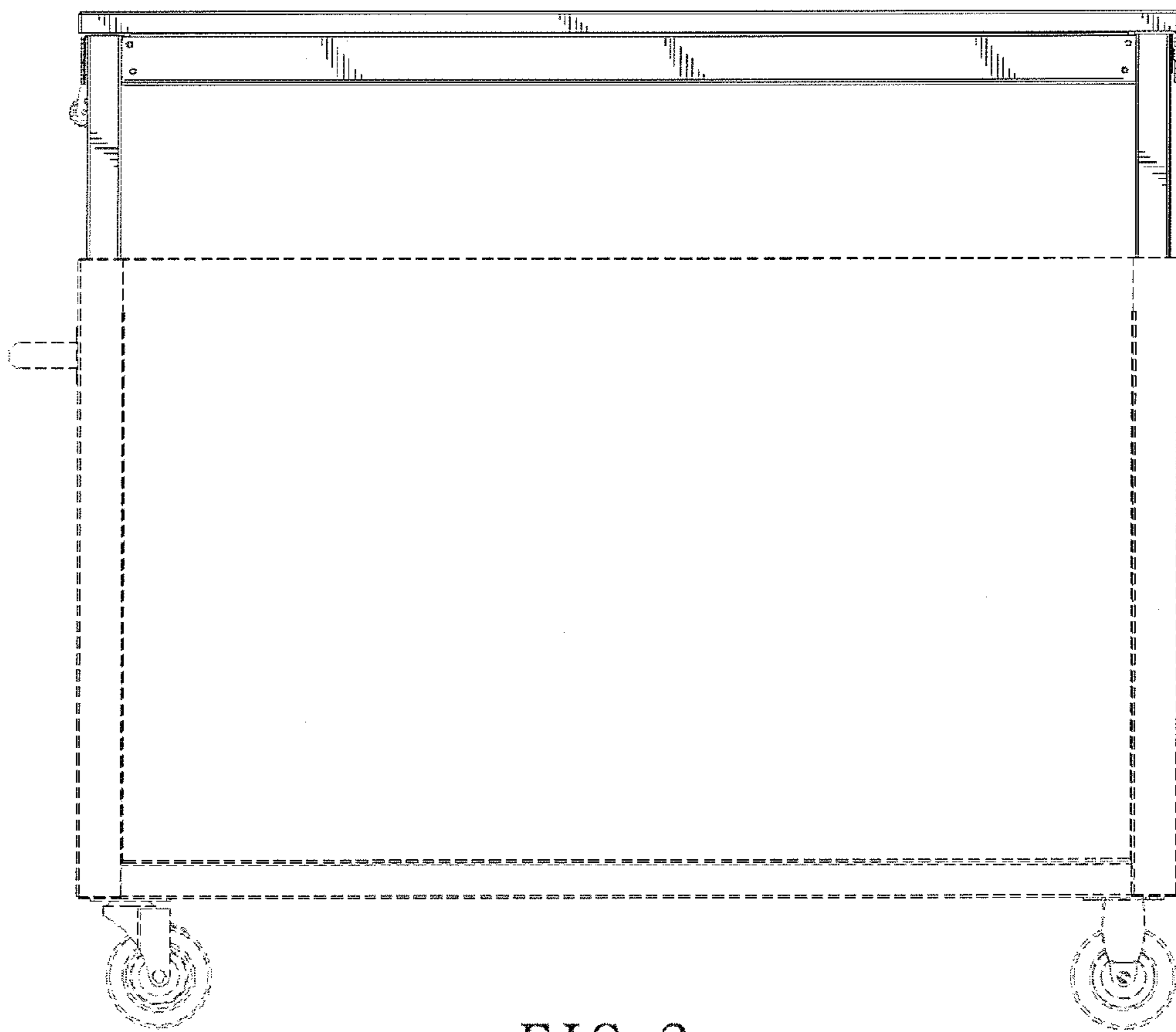


FIG. 3

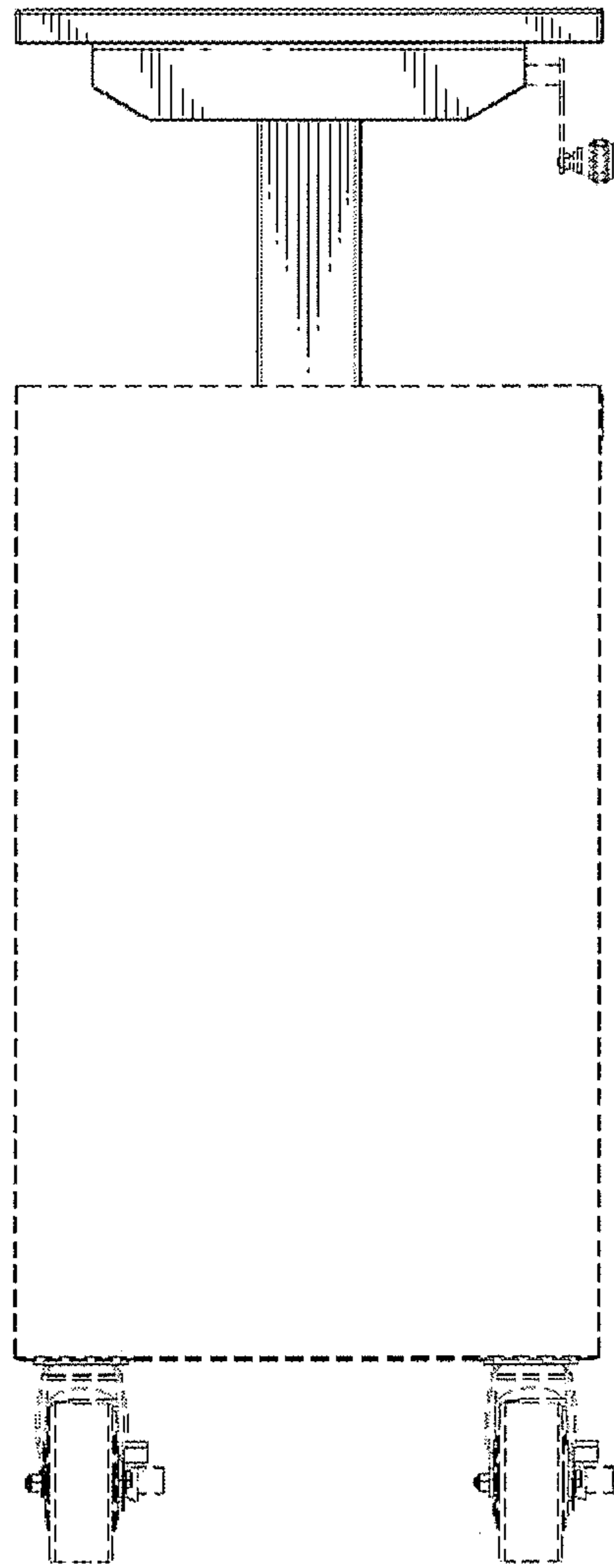


FIG. 4

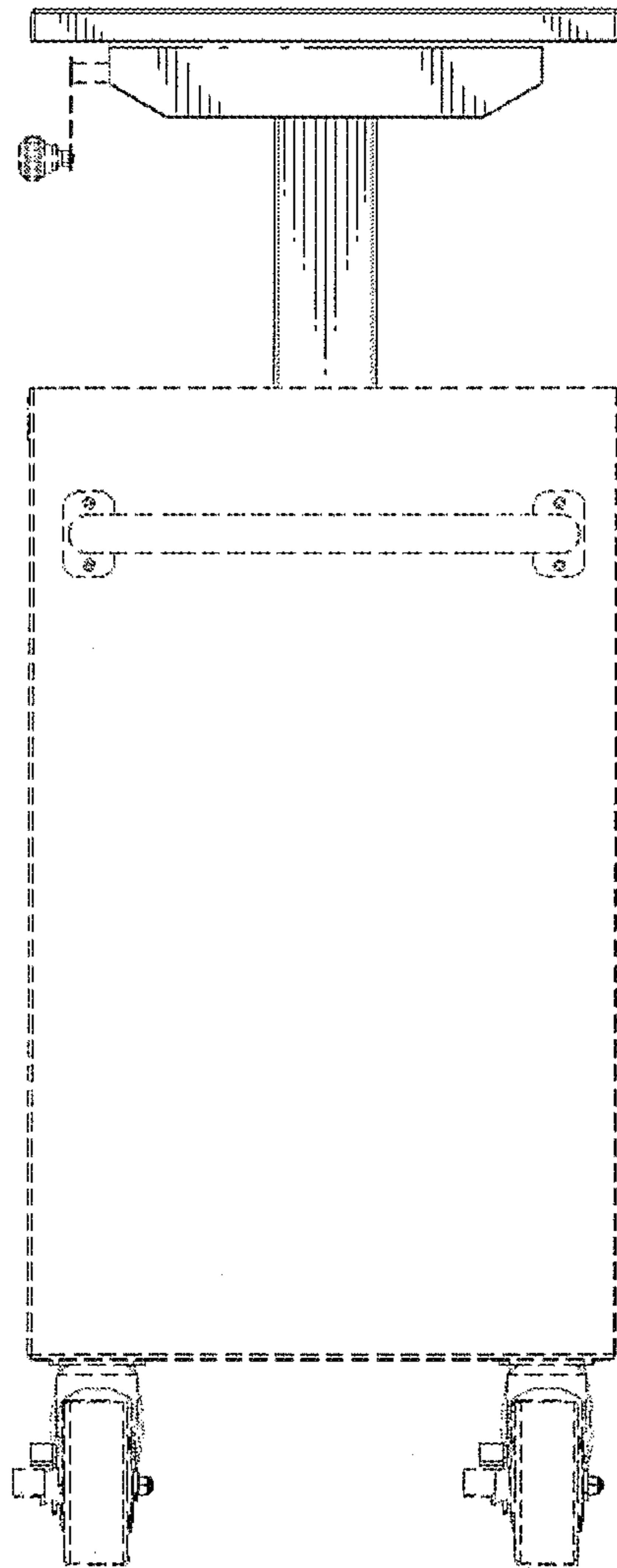


FIG. 5

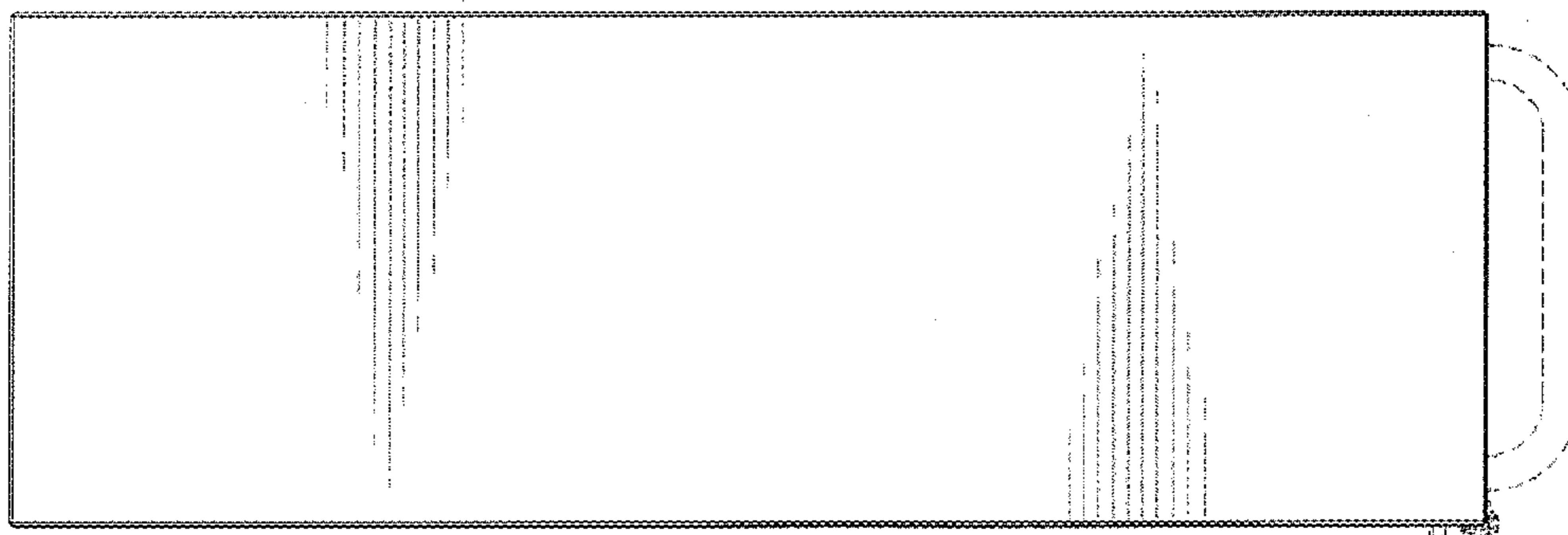


FIG. 6

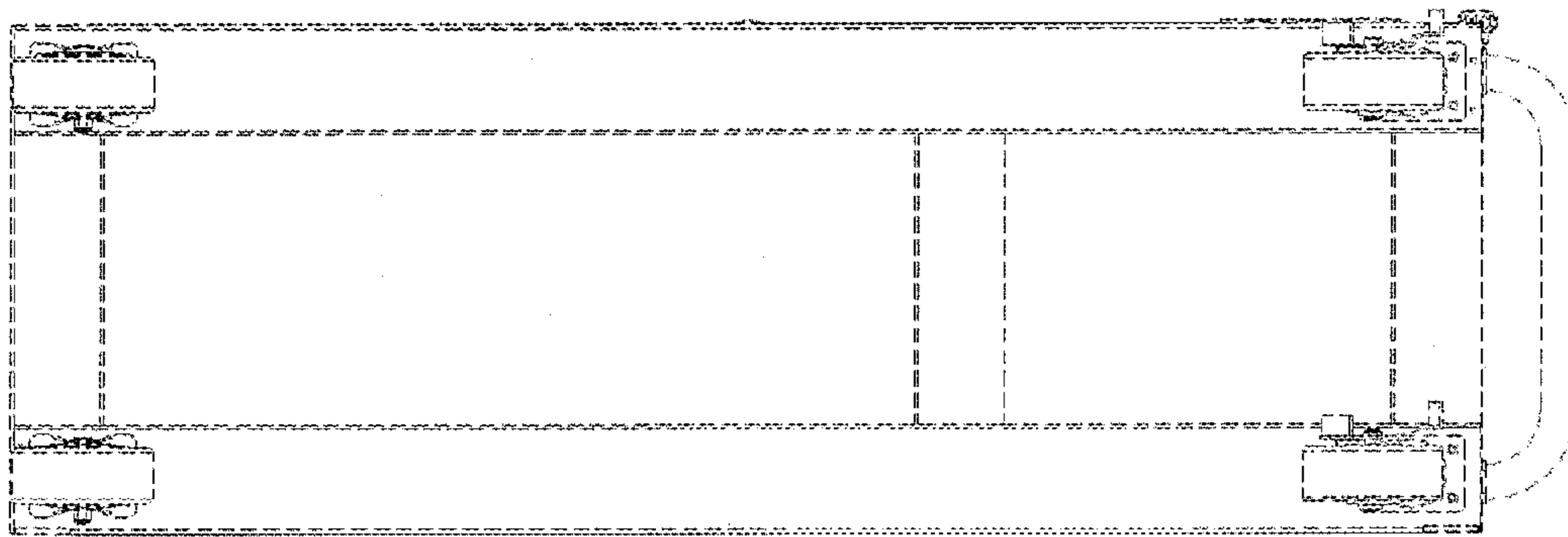


FIG. 7

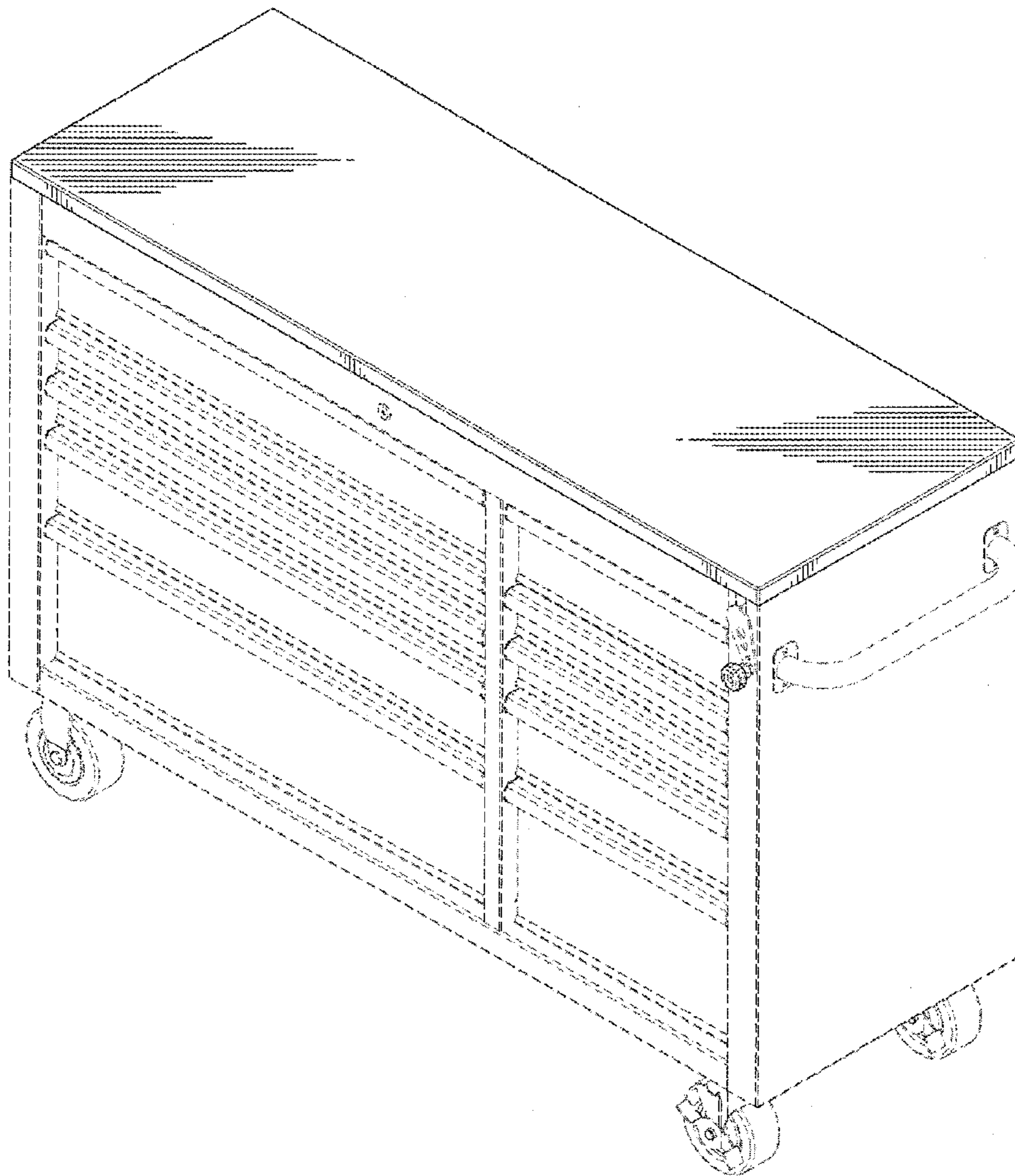


FIG. 8