



US00D760518S

(12) **United States Design Patent**
Shah et al.

(10) **Patent No.:** **US D760,518 S**
(45) **Date of Patent:** **** Jul. 5, 2016**

(54) **CABINET**

6,764,144 B2 7/2004 Insalaco
D495,912 S 9/2004 Schmidt
D497,921 S 11/2004 Schmidt

(71) Applicant: **NewAge Products, Inc.**, Vaughan (CA)

(Continued)

(72) Inventors: **Parag Shah**, Toronto (CA); **Frank Spano**, Toronto (CA); **Robert Vandenharm**, Toronto (CA); **Edward Reyes**, Toronto (CA)

FOREIGN PATENT DOCUMENTS

(73) Assignee: **NEWAGE PRODUCTS, INC.**, Vaughn (CA)

CA 108997 11/2006
CA 105998 3/2007

(Continued)

(**) Term: **14 Years**

Primary Examiner — Ricky Pham

(21) Appl. No.: **29/492,162**

(74) *Attorney, Agent, or Firm* — Howard & Howard Attorneys PLLC

(22) Filed: **May 29, 2014**

(57) **CLAIM**

An ornamental design for a cabinet, as shown and described.

(51) **LOC (10) Cl.** **06-06**

DESCRIPTION

(52) **U.S. Cl.**

USPC **D6/703**

(58) **Field of Classification Search**

USPC D6/559, 661, 663, 664, 668, 668.1, D6/668.2, 671, 671.1–671.4, 703; D15/127

CPC A47B 17/04; A47B 47/02; A47B 47/03; A47B 53/00; A47B 53/02; A47B 61/00; A47B 61/003; A47B 61/02; A47B 67/00; A47B 67/02; A47B 67/04; A47B 67/005; A47B 88/22; A47F 3/00; A47F 3/0404; A47F 3/043; A47F 3/0434; A47F 3/005; E05B 65/0003

See application file for complete search history.

FIG. 1 is a right front perspective view of the design of a cabinet of a first embodiment of the invention;

FIG. 2 is a front elevational view of the cabinet of FIG. 1. The ornamental design is not visible in the rear view, top plan view, bottom view or side views;

FIG. 3 is a right front perspective view of the design of a cabinet of a second embodiment of the invention;

FIG. 4 is a front elevational view of the cabinet of FIG. 3. The ornamental design is not visible in the rear view, top plan view, bottom view or side views;

FIG. 5 is a right front perspective view of the design of a cabinet of a third embodiment of the invention;

FIG. 6 is a front elevational view of the cabinet of FIG. 5. The ornamental design is not visible in the rear view, top plan view, bottom view or side views;

FIG. 7 is a right front perspective view of the design of a cabinet of a fourth embodiment of the invention; and,

FIG. 8 is a front elevational view of the cabinet of FIG. 7. The ornamental design is not visible in the rear view, top plan view, bottom view or side views.

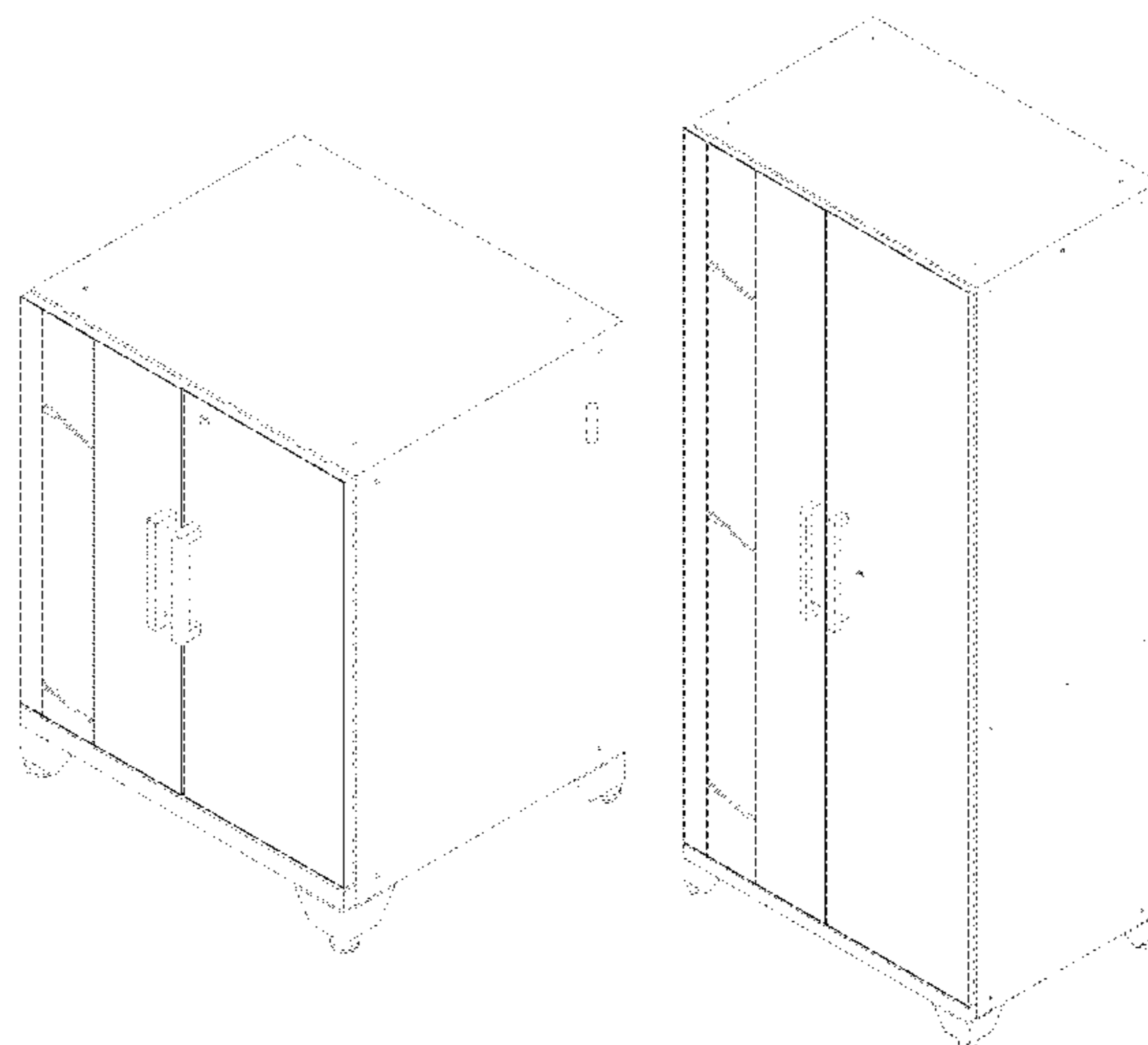
The broken lines shown in the drawings are for illustrative purposes only and form no part of the claimed design.

(56) **References Cited**

U.S. PATENT DOCUMENTS

D349,091 S 7/1994 Dickinson
D372,011 S 7/1996 Tyler
D373,989 S 9/1996 Dickinson
5,735,586 A 4/1998 Cheng
D409,613 S 5/1999 McGee
D439,782 S 4/2001 Melillo
D471,377 S 3/2003 Gledhill

1 Claim, 8 Drawing Sheets



(56)

References Cited

U.S. PATENT DOCUMENTS

6,811,043 B2 11/2004 Perkins
 D500,059 S 12/2004 Schmidt
 D502,556 S 3/2005 Zimmerle
 D503,839 S 4/2005 Schmidt
 D503,840 S 4/2005 Schmidt
 D505,237 S 5/2005 Schmidt
 D507,390 S 7/2005 Schmidt
 D507,914 S 8/2005 Schmidt
 D508,503 S 8/2005 Schmidt
 D508,504 S 8/2005 Schmidt
 D508,627 S 8/2005 Schmidt
 6,926,160 B2 8/2005 Perkins
 6,926,376 B2 8/2005 Arent
 D509,582 S 9/2005 Redetzke
 D510,831 S 10/2005 Schmidt
 D510,832 S 10/2005 Schmidt
 D514,854 S 2/2006 Schmidt
 D515,342 S 2/2006 Schmidt
 D518,984 S 4/2006 Schmidt
 D520,784 S 5/2006 Schmidt
 D521,285 S 5/2006 Schmidt
 7,055,703 B2 6/2006 Perkins
 D524,679 S 7/2006 Gibbons
 D526,781 S 8/2006 Feldmann
 D527,212 S 8/2006 Schmidt
 D528,337 S 9/2006 Schmidt
 7,140,701 B2 11/2006 Arent
 7,147,115 B2 12/2006 Perkins
 7,147,290 B2 12/2006 Arent
 7,150,591 B1 12/2006 Kent
 7,216,914 B2 5/2007 Lovell
 D543,741 S 6/2007 Gaska
 D544,259 S 6/2007 Schmidt
 7,228,977 B2 6/2007 Perkins
 D546,597 S 7/2007 Schmidt
 D546,598 S 7/2007 Schmidt
 D547,577 S 7/2007 Gaska
 D547,636 S 7/2007 Bartrom
 D548,066 S 8/2007 Welch
 D548,502 S 8/2007 Gaska
 D548,508 S 8/2007 Tonelli
 D549,499 S 8/2007 Gaska
 D549,500 S 8/2007 Gaska

D549,501 S 8/2007 Gaska
 D550,004 S 9/2007 Gaska
 D550,012 S 9/2007 Schmidt
 D551,883 S 10/2007 Gaska
 7,296,695 B2 11/2007 Perkins
 D561,080 S 2/2008 Soshkin
 D561,506 S 2/2008 Gaska
 D563,137 S 3/2008 Schmidt
 D563,699 S 3/2008 Schmidt
 D579,697 S 11/2008 Schmidt
 D586,595 S 2/2009 Gaska
 D587,503 S 3/2009 Schmidt
 D595,983 S 7/2009 Schmidt
 D597,019 S 7/2009 Zarza
 7,591,385 B2 9/2009 Brooks
 D605,446 S 12/2009 Schmidt
 7,686,353 B2 3/2010 Lewis
 D614,428 S 4/2010 Bauchet
 D614,898 S 5/2010 Schmidt
 D618,019 S 6/2010 Gaska
 D618,020 S 6/2010 Gaska
 D621,193 S 8/2010 Bauchet
 D623,316 S 9/2010 Moore
 D623,881 S 9/2010 Schmidt
 7,866,490 B1 1/2011 Bellis
 D632,518 S 2/2011 Schmidt
 D635,378 S 4/2011 Schmidt
 D637,849 S 5/2011 Schmidt
 D651,022 S 12/2011 Koehn
 D654,293 S 2/2012 Gaska
 D654,736 S 2/2012 Gaska
 D658,782 S 5/2012 Norris
 D664,379 S 7/2012 Schmidt
 D665,201 S 8/2012 Gaska
 D665,202 S 8/2012 Gaska
 D665,605 S 8/2012 Gaska
 D665,606 S 8/2012 Gaska
 D666,034 S 8/2012 Gaska
 D677,080 S 3/2013 Schmidt
 D677,081 S 3/2013 Schmidt

FOREIGN PATENT DOCUMENTS

CA 112522 3/2007
 CA 133276 7/2010
 CA 136910 6/2011
 CA 137677 10/2011

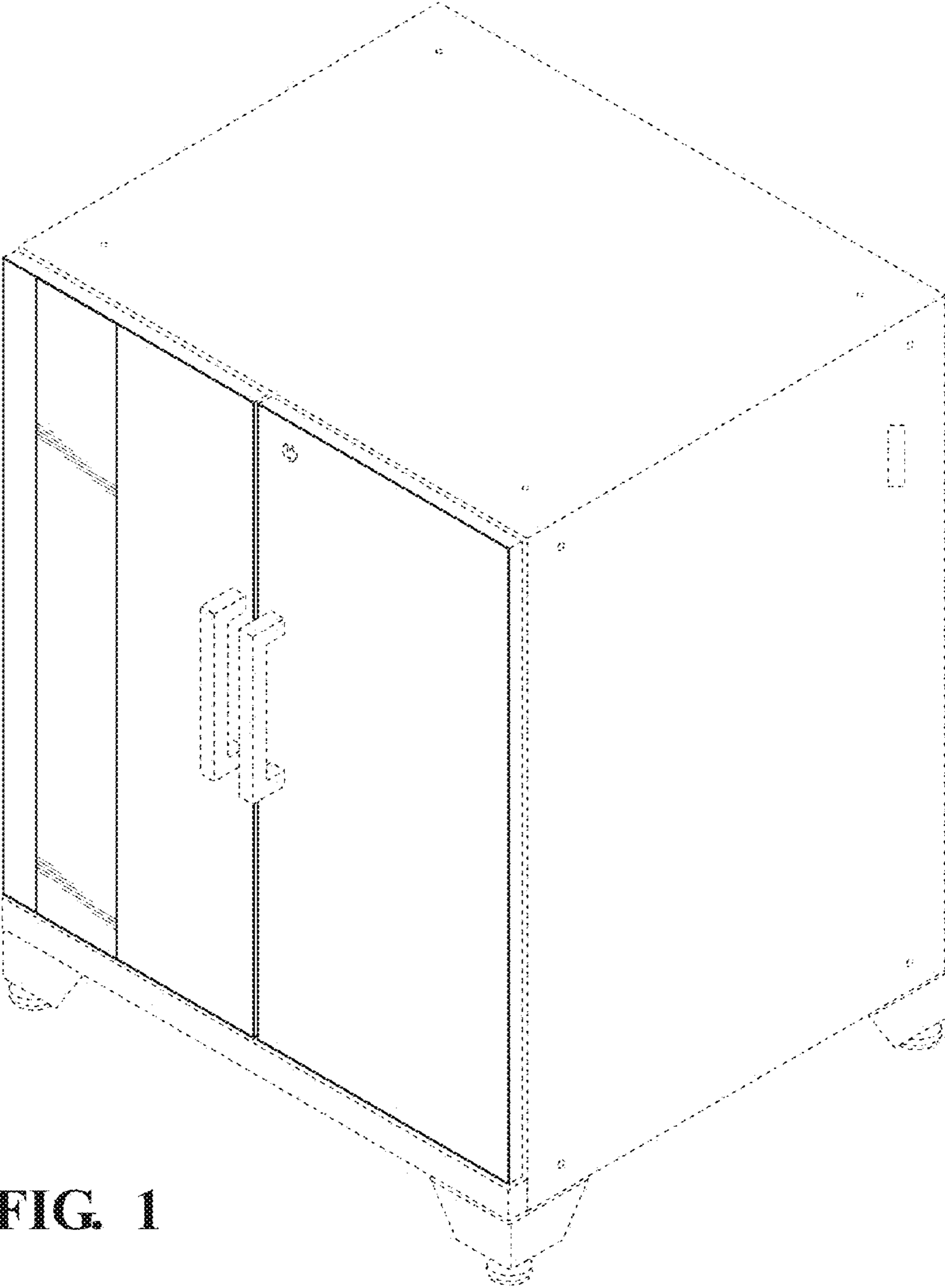


FIG. 1

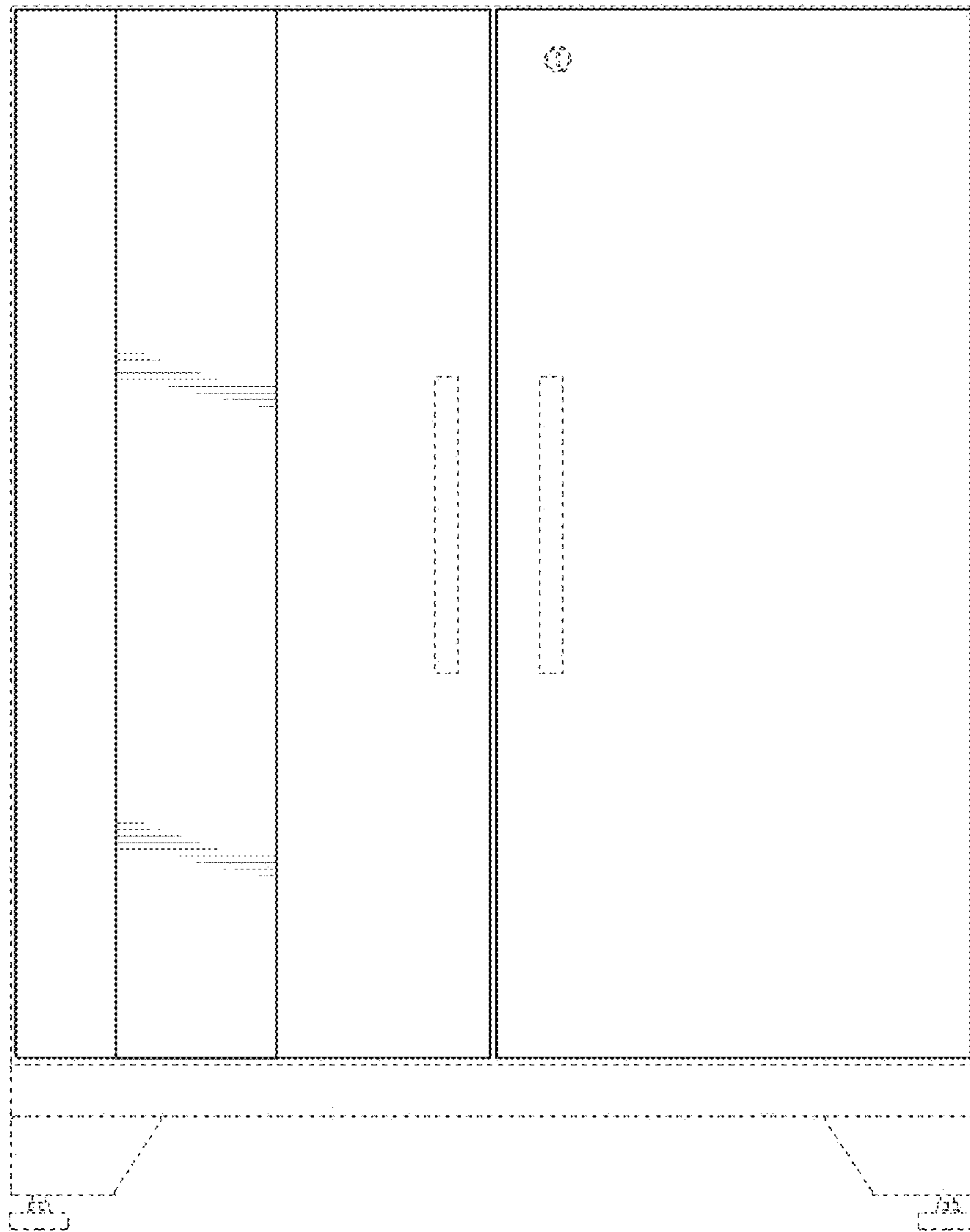
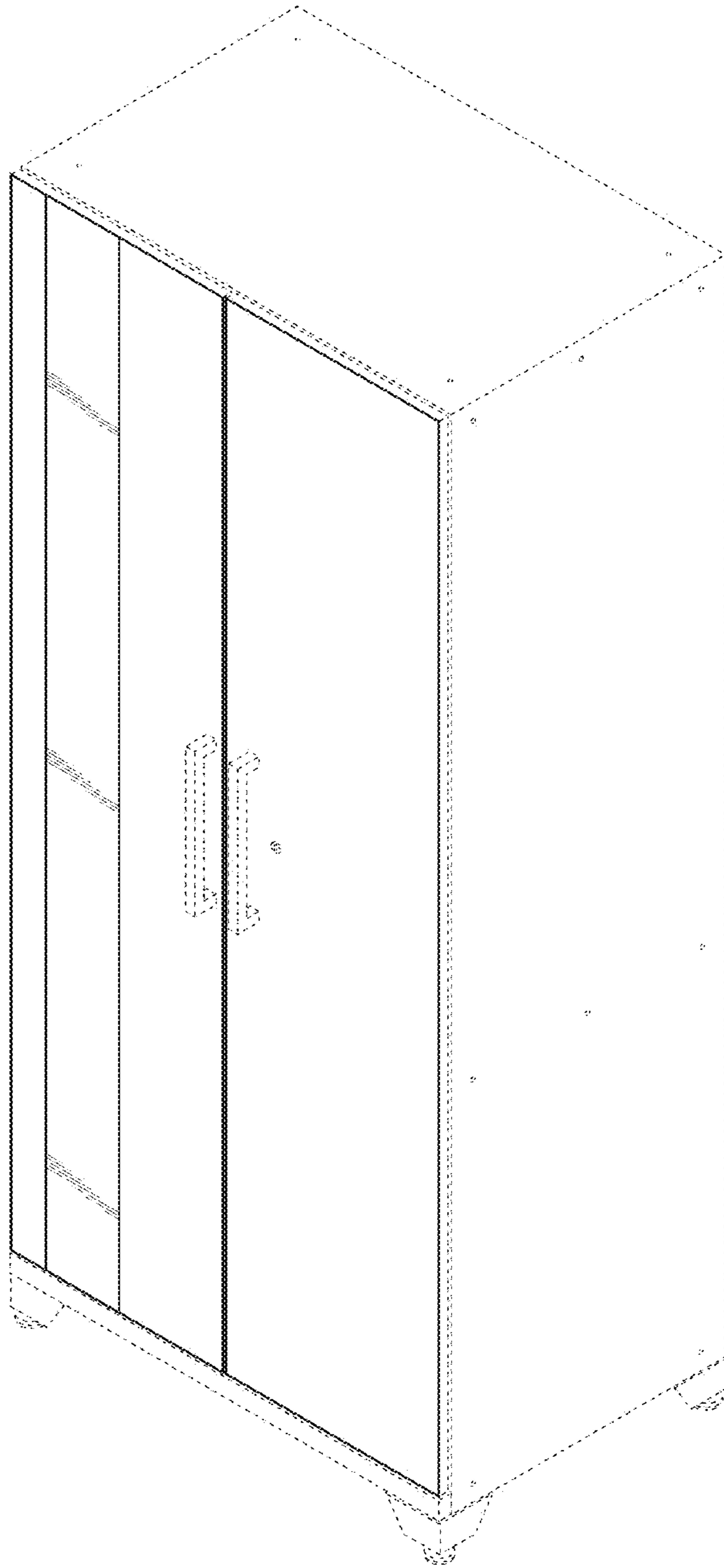


FIG. 2

FIG. 3



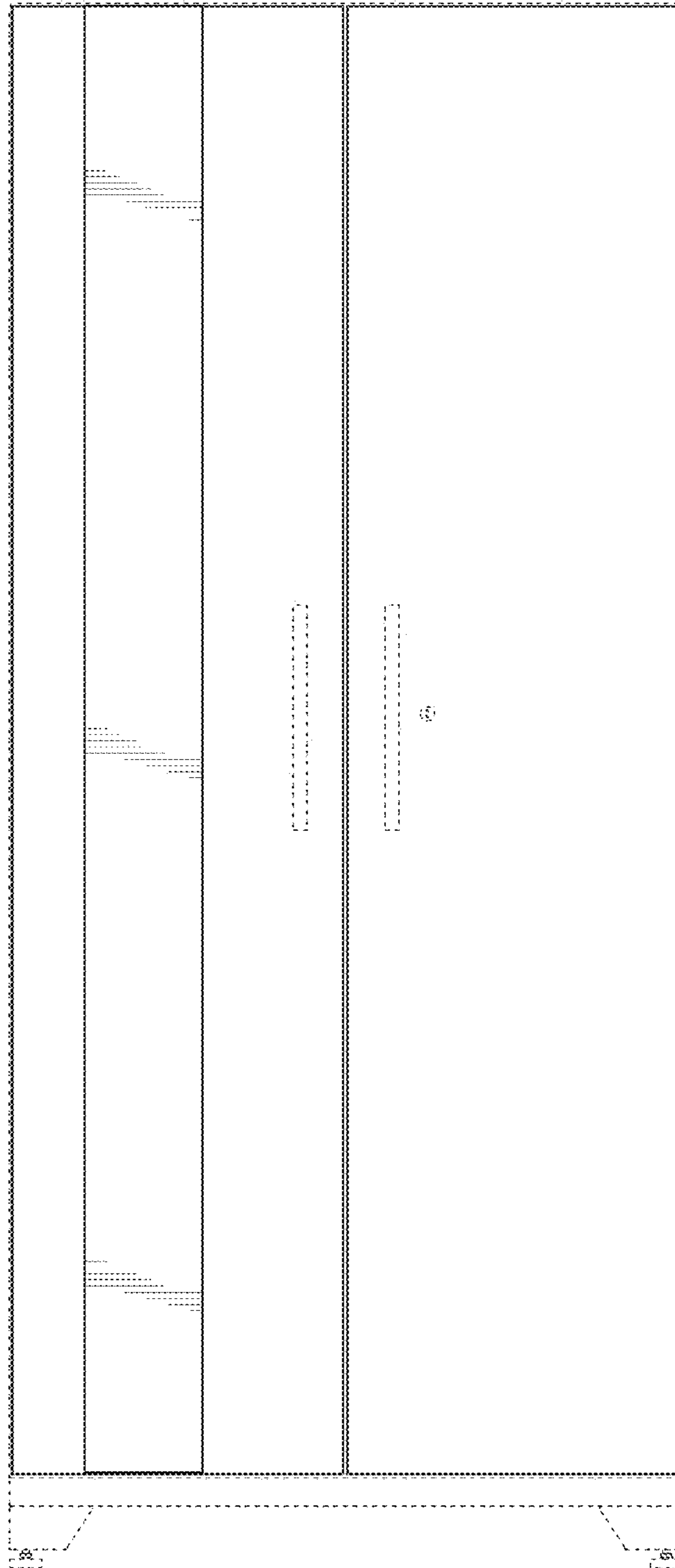


FIG. 4

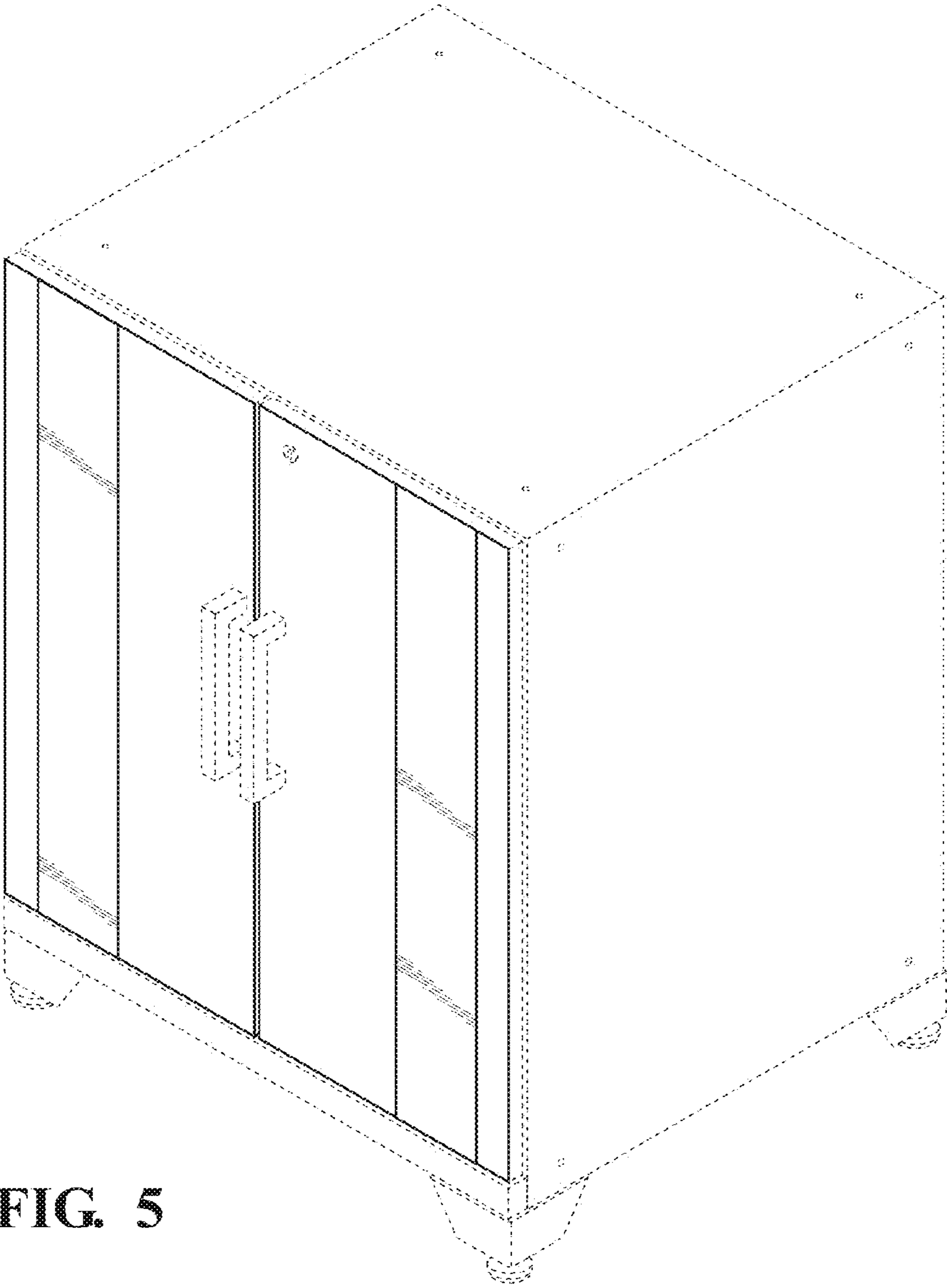


FIG. 5

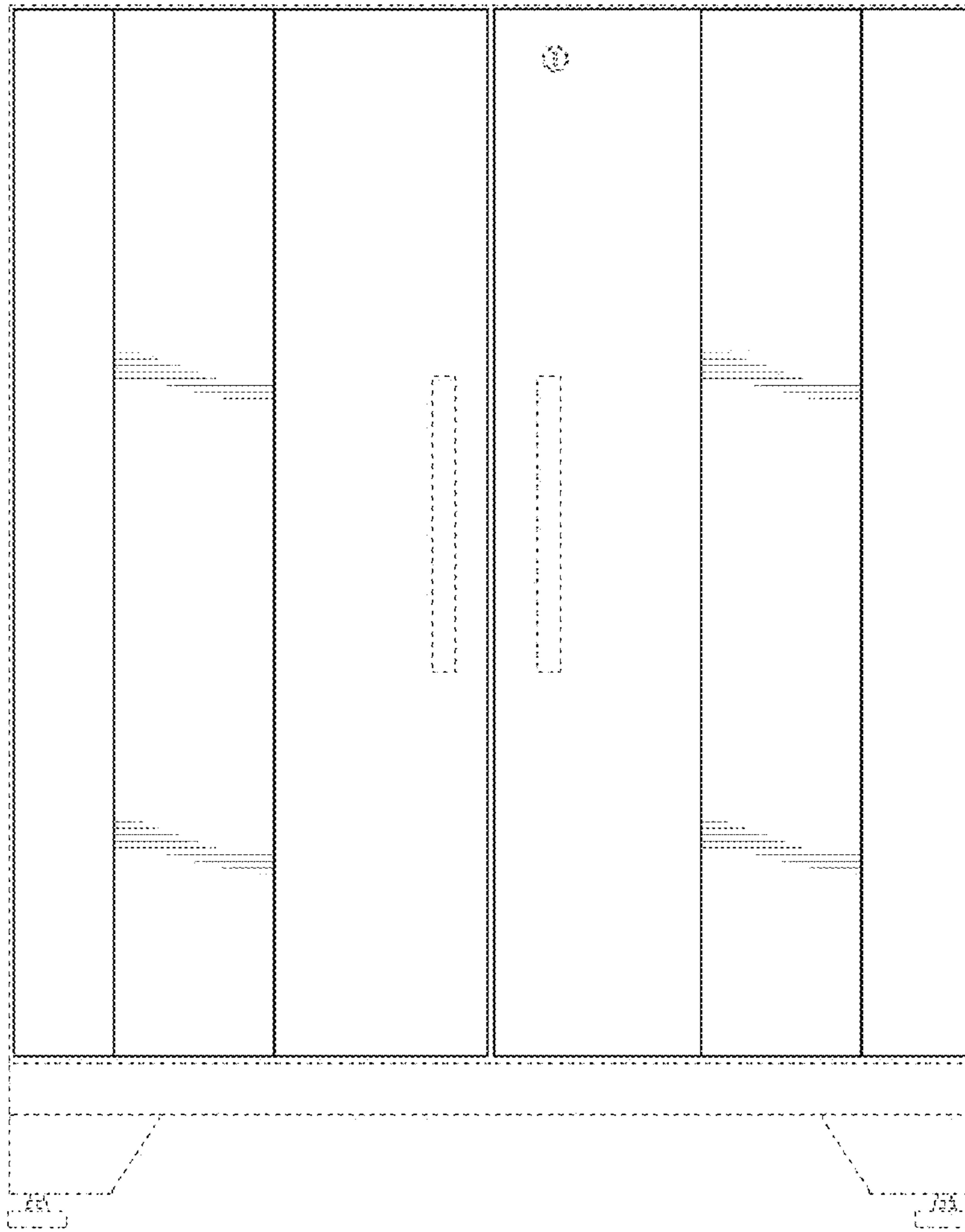
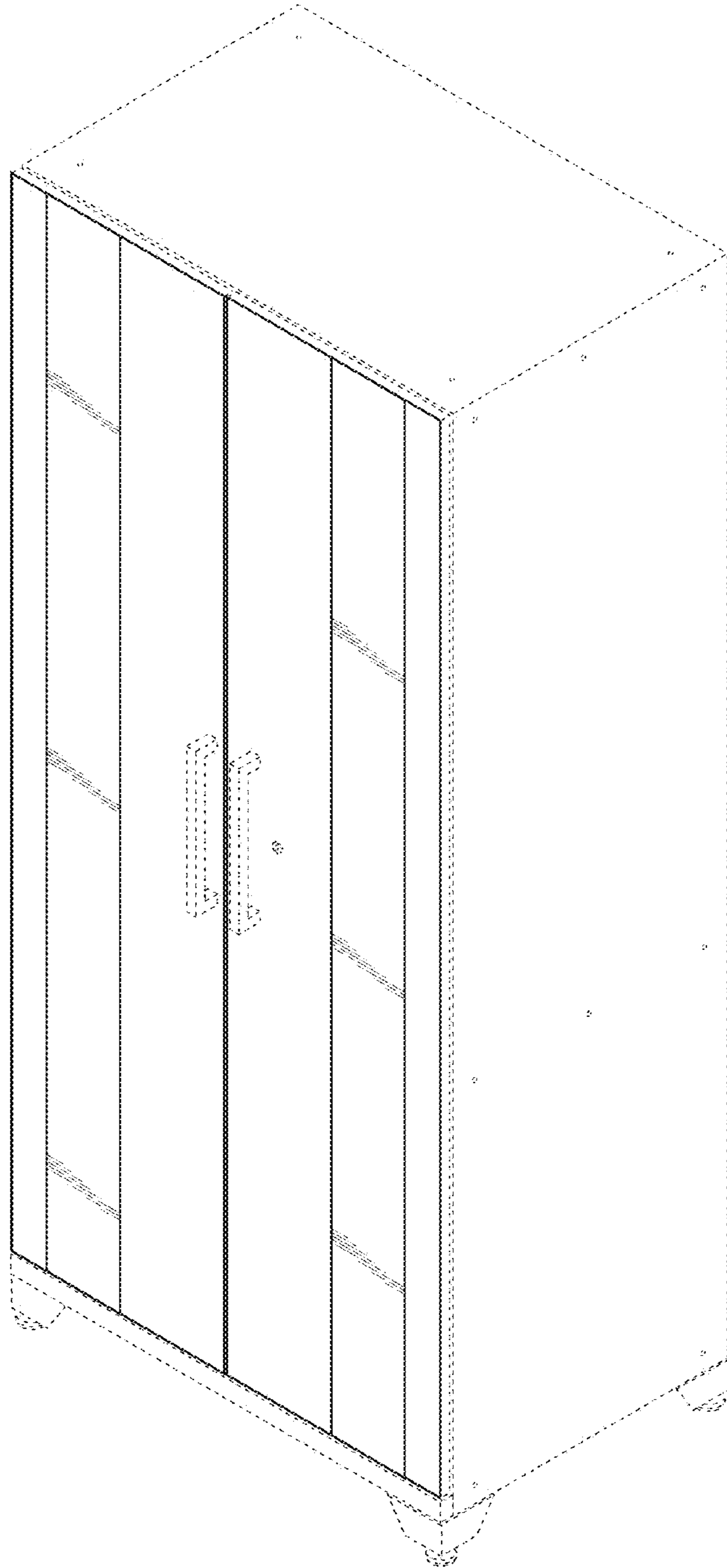


FIG. 6

FIG. 7



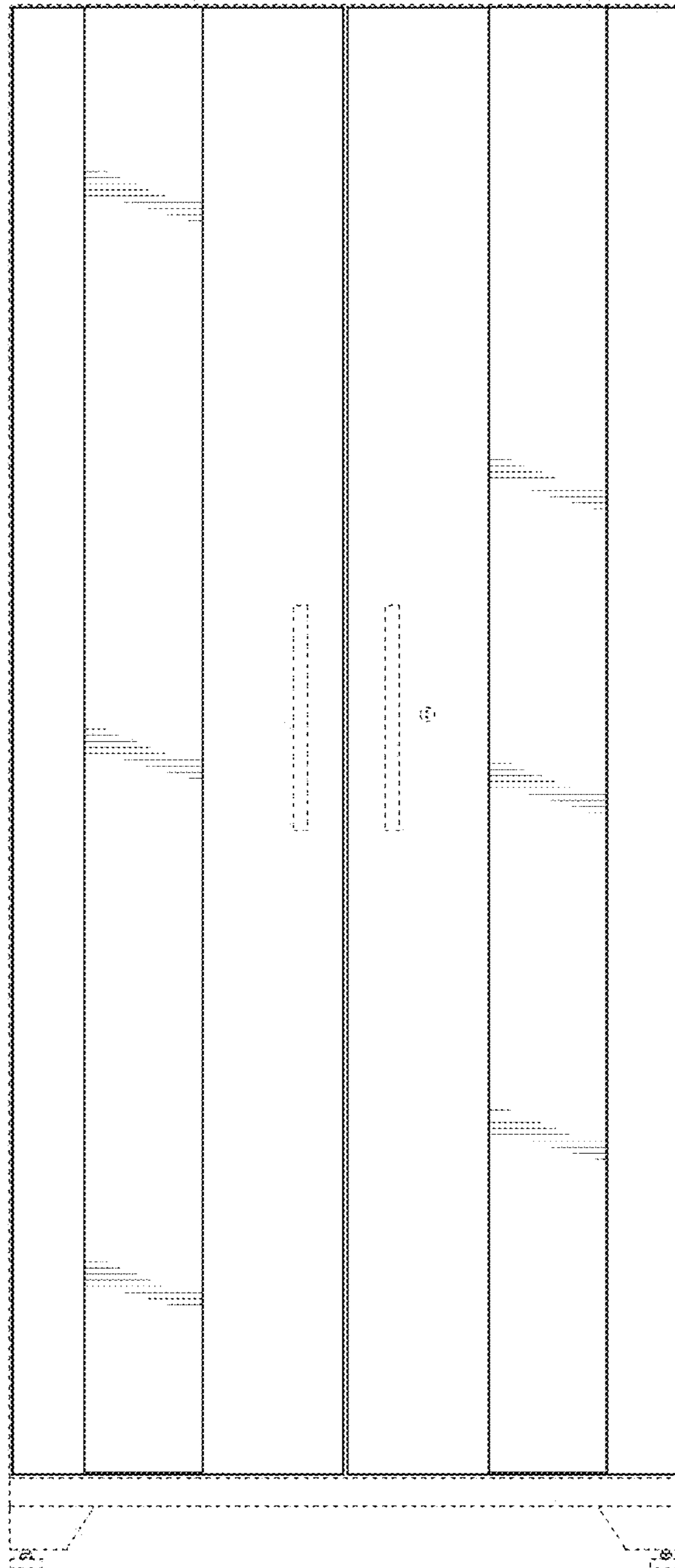


FIG. 8