



US00D760517S

(12) **United States Design Patent**
Lugo-Velázquez et al.

(10) **Patent No.:** **US D760,517 S**
(45) **Date of Patent:** **** Jul. 5, 2016**

(54) **HOLDER**

(71) Applicants: **Gerson Enrique Lugo-Velázquez**, San Juan, PR (US); **Rodolfo Octavio Betanzo-Correa**, Carolina, PR (US)

(72) Inventors: **Gerson Enrique Lugo-Velázquez**, San Juan, PR (US); **Rodolfo Octavio Betanzo-Correa**, Carolina, PR (US)

(**) Term: **15 Years**

(21) Appl. No.: **29/529,745**

(22) Filed: **Jun. 10, 2015**

(51) **LOC (10) Cl.** **06-06**

(52) **U.S. Cl.**
USPC **D6/682.1**

(58) **Field of Classification Search**
USPC D6/682, 682.1, 682.2; D7/590, 598, D7/600.1, 601, 602, 701, 707, 619.1
CPC A47G 7/002; A47G 23/0641; A47G 23/0316
See application file for complete search history.

(56) **References Cited**

U.S. PATENT DOCUMENTS

D329,342 S * 9/1992 Schoenig D17/99
D336,099 S * 6/1993 Schoenig D19/7
D422,794 S * 4/2000 Licari D6/315
D625,150 S * 10/2010 Ciarrocchi, Jr. D7/600.1

D708,098 S * 7/2014 Frazier D12/162
D709,132 S * 7/2014 Dougherty D20/19
D711,307 S * 8/2014 Fair D12/412
D737,606 S * 9/2015 King D6/682
D743,837 S * 11/2015 Zand D11/146
D749,344 S * 2/2016 Belitz D6/682.3
2003/0042283 A1 * 3/2003 Carnevali B60R 7/14
224/560
2006/0201309 A1 * 9/2006 Hsieh G10G 5/00
84/329
2010/0301188 A1 * 12/2010 Schimelfenyg F16M 11/041
248/447.2

* cited by examiner

Primary Examiner — Kelley Donnelly

(74) *Attorney, Agent, or Firm* — Hoglund & Pamas, PSC; Roberto J. Rios

(57) **CLAIM**

The ornamental design for a holder, as shown and described.

DESCRIPTION

FIG. 1 is a left-side perspective view of the holder of the present invention.

FIG. 2 is a front view thereof.

FIG. 3 is a back view thereof.

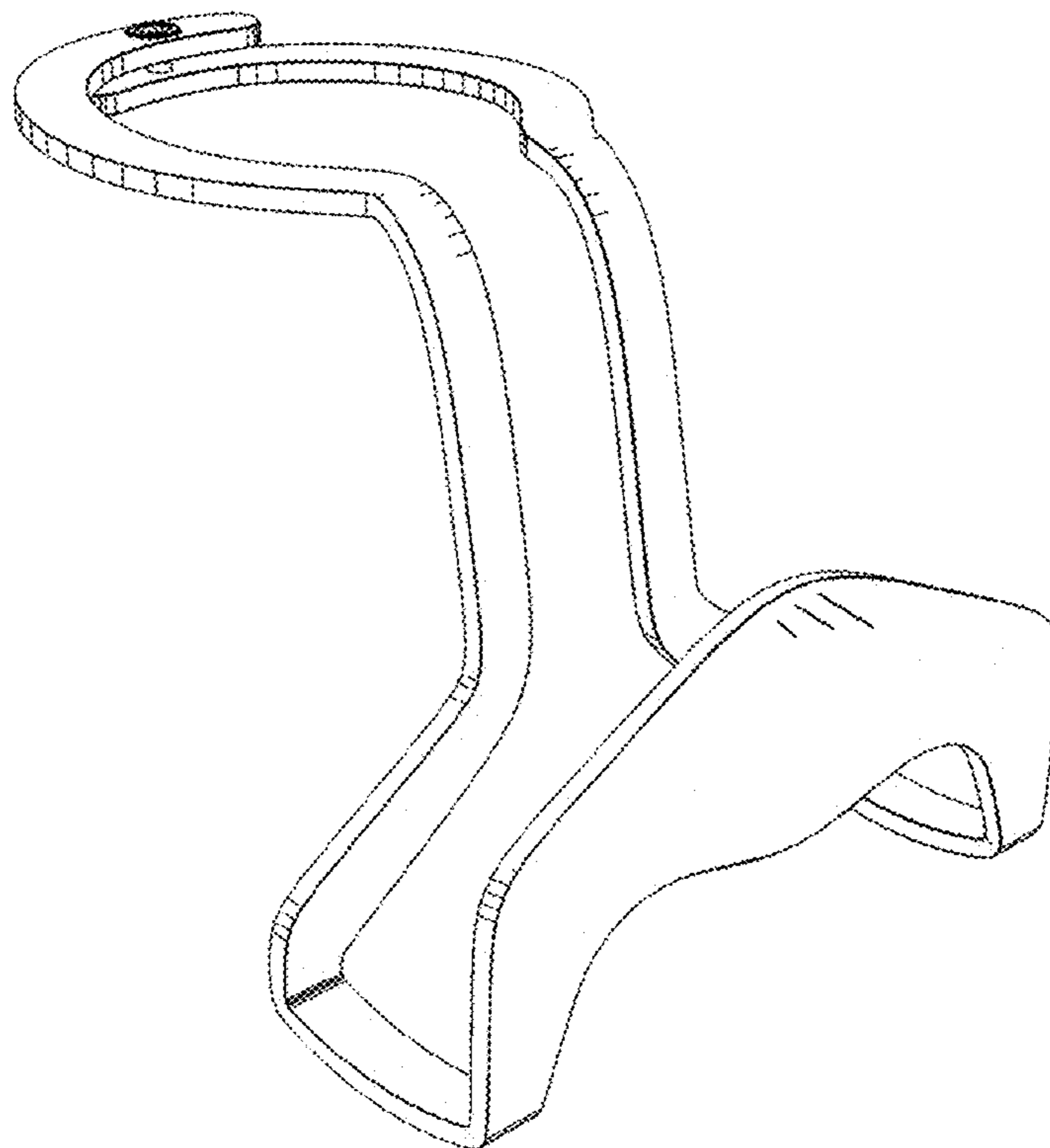
FIG. 4 is a left view thereof.

FIG. 5 is a right view thereof.

FIG. 6 is a top view thereof; and,

FIG. 7 is a bottom view thereof.

1 Claim, 7 Drawing Sheets



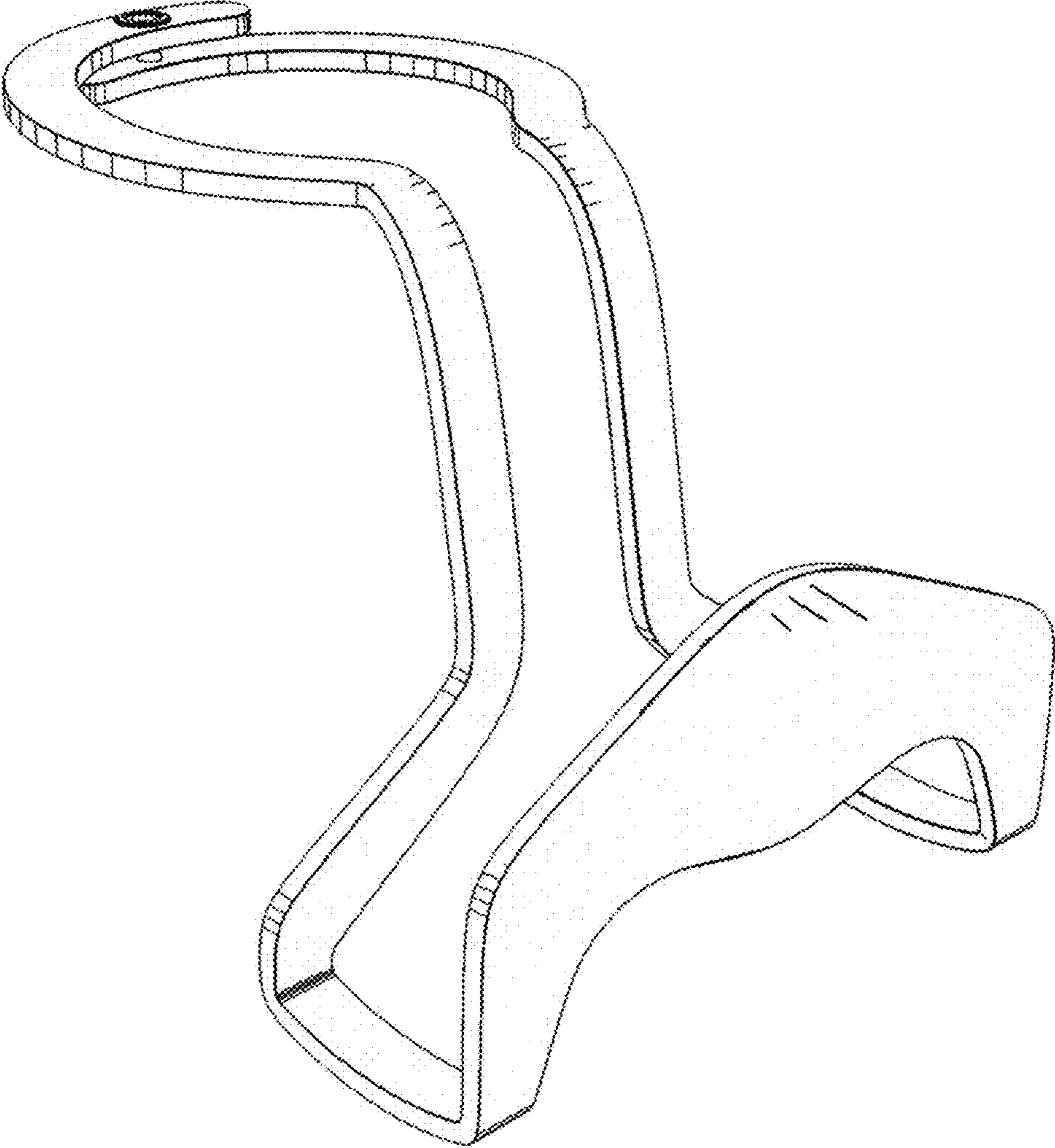


FIG. 1

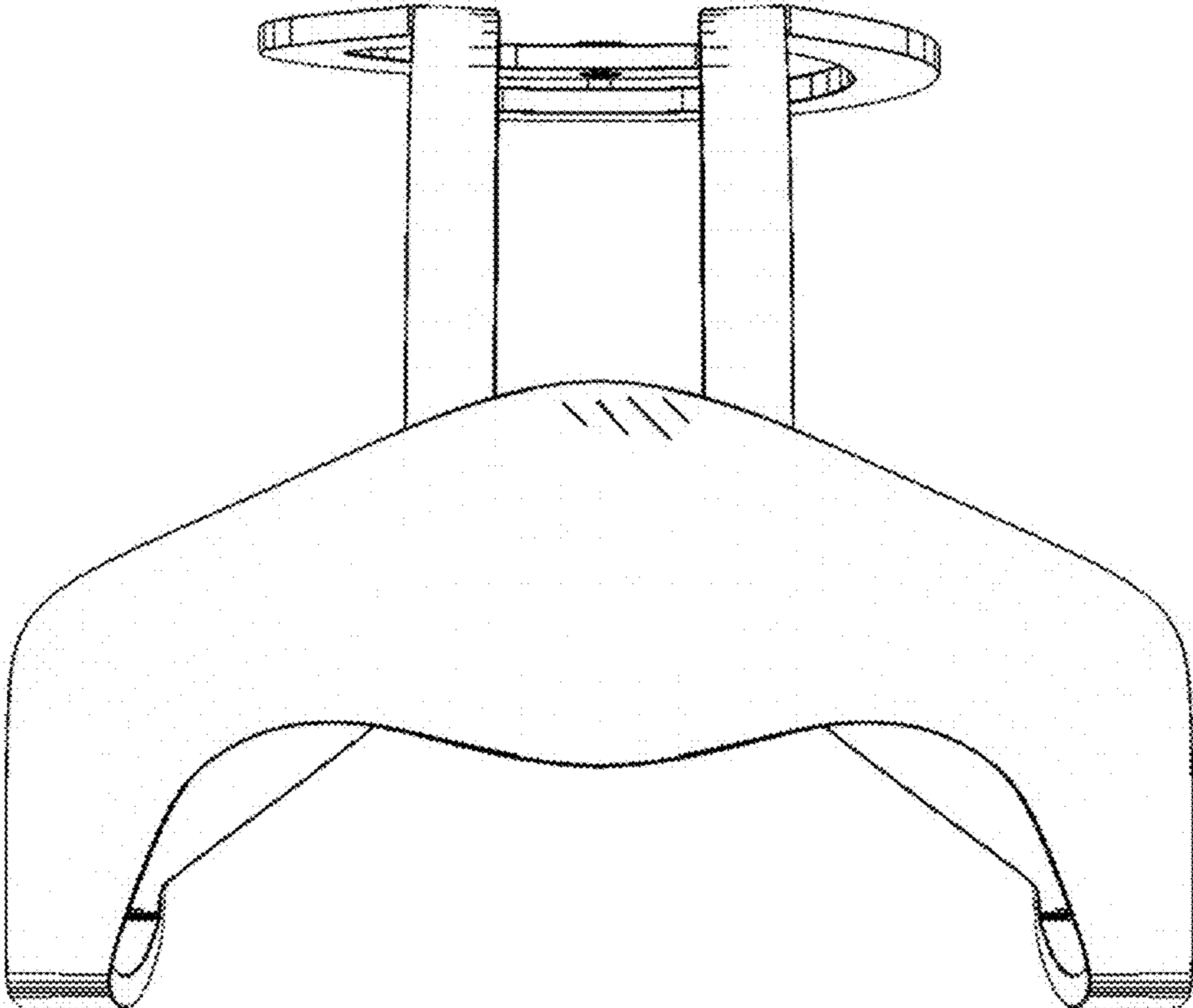


FIG. 2

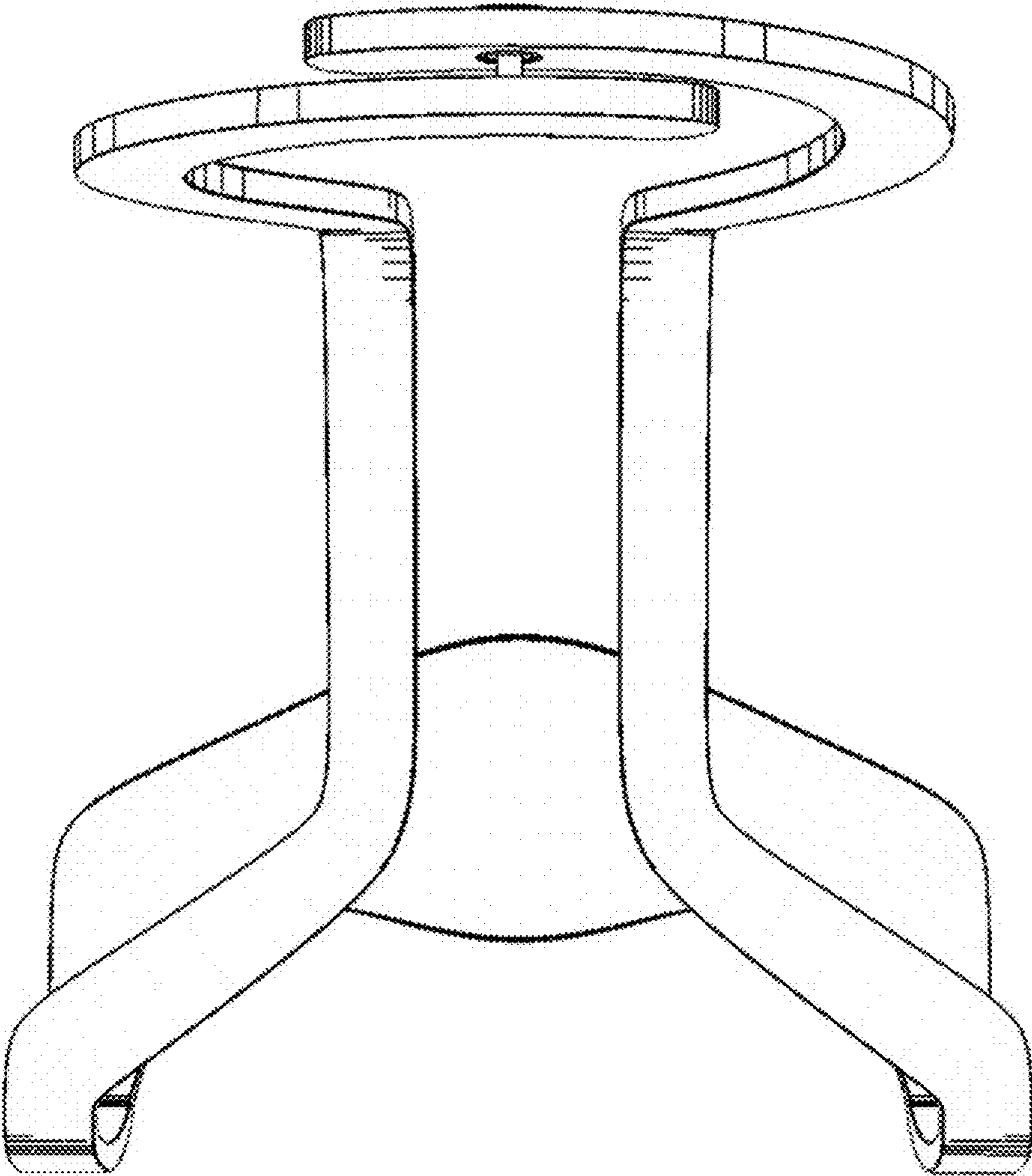


FIG. 3

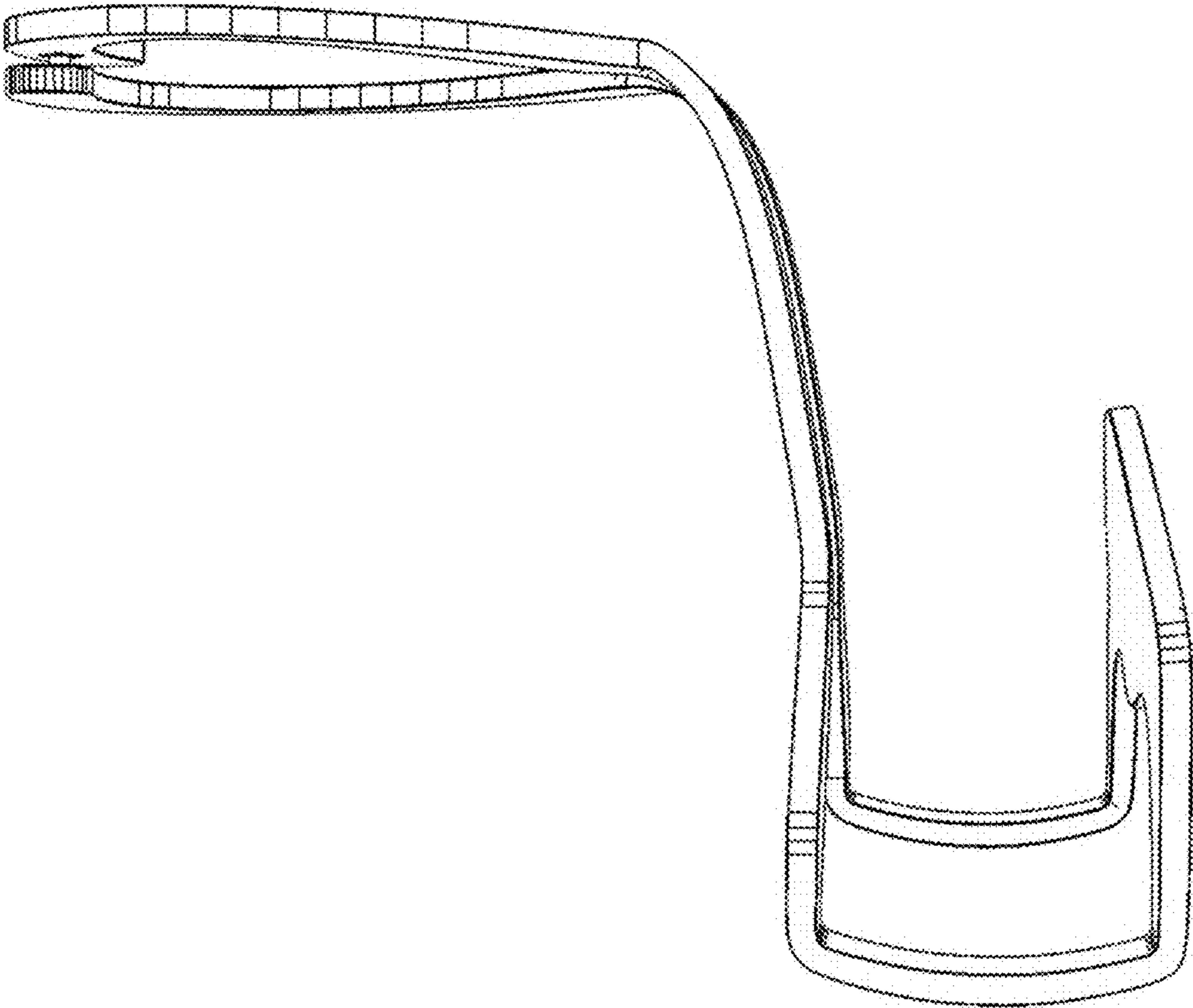


FIG. 4

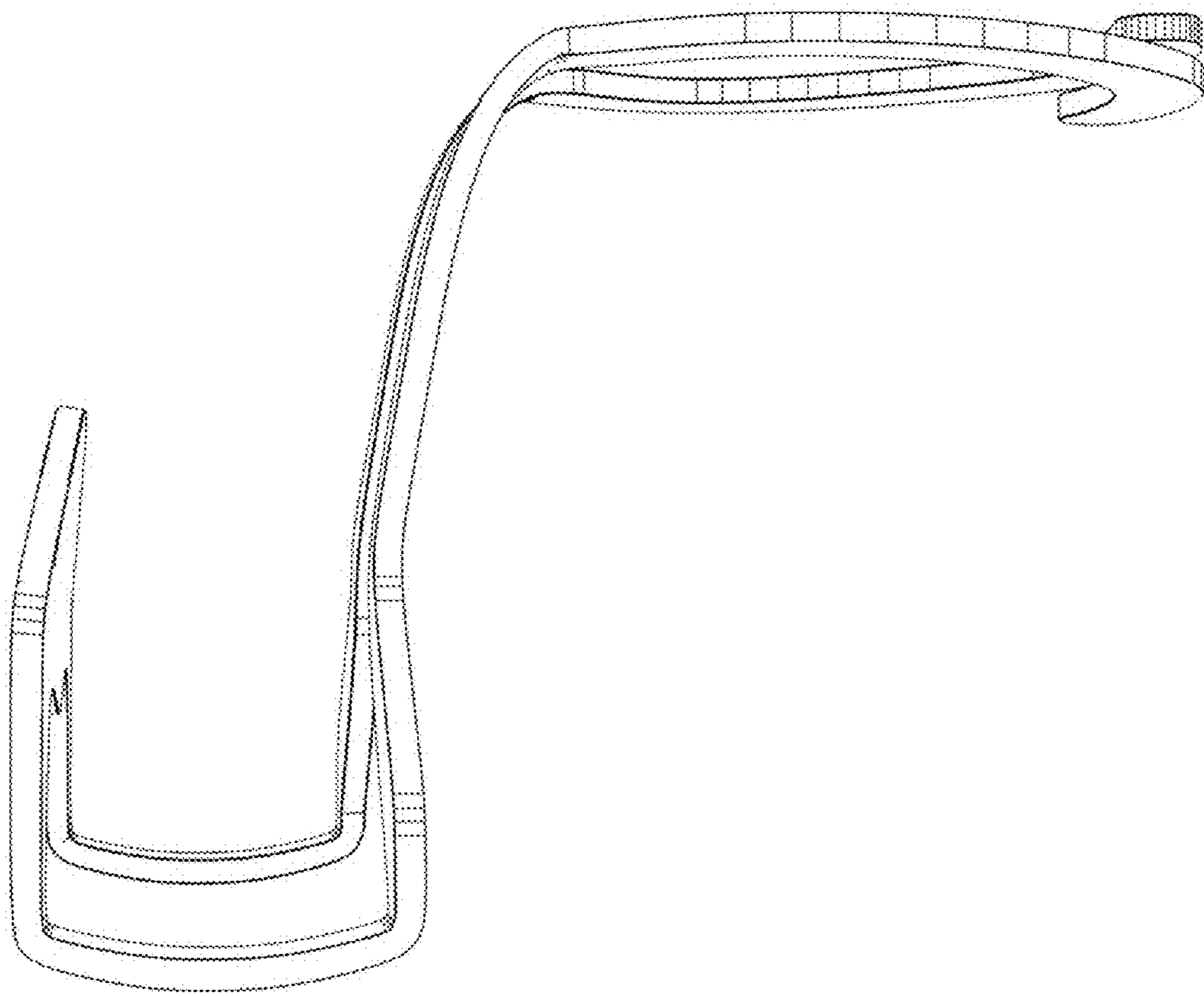


FIG. 5

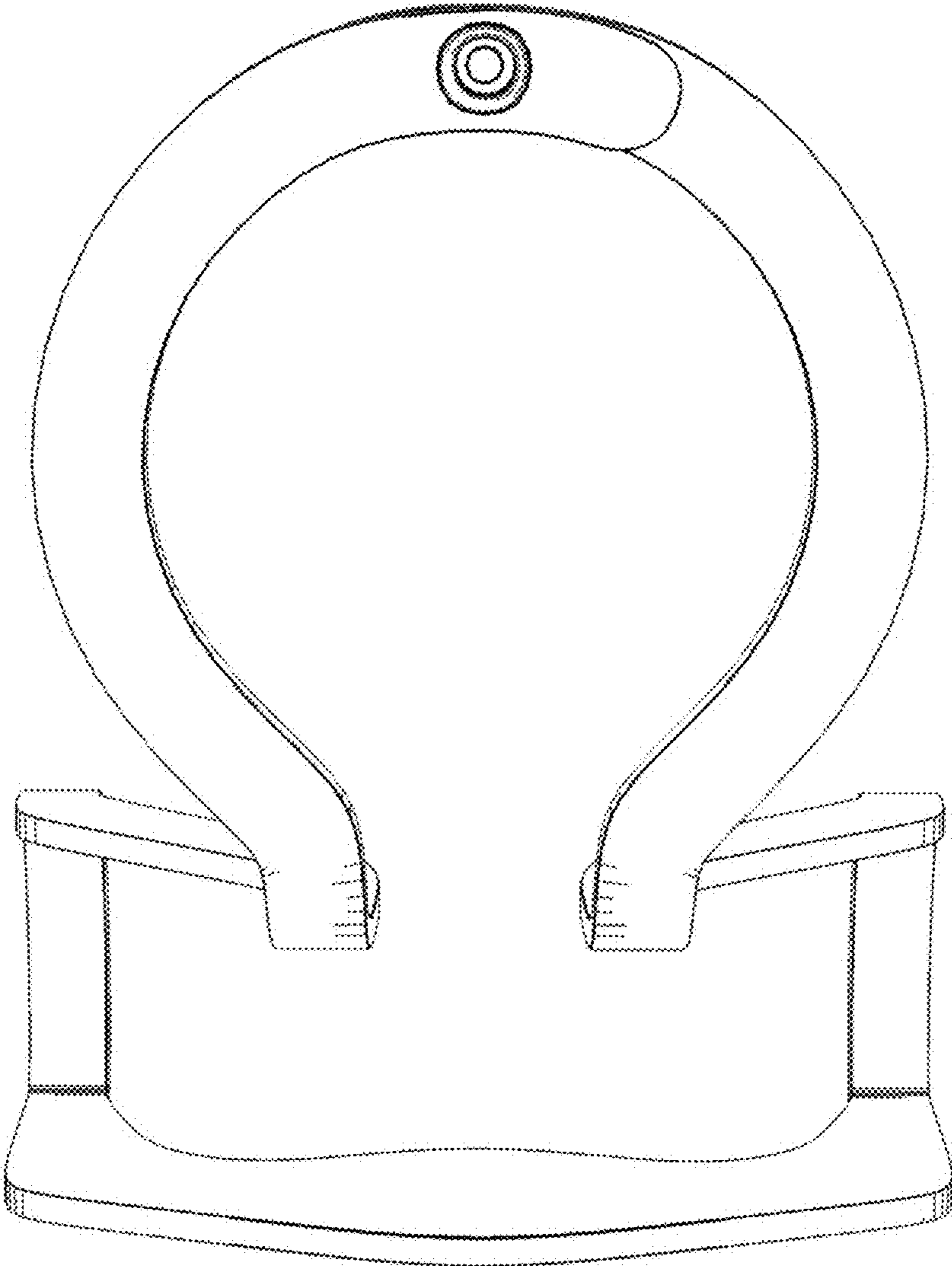


FIG. 6

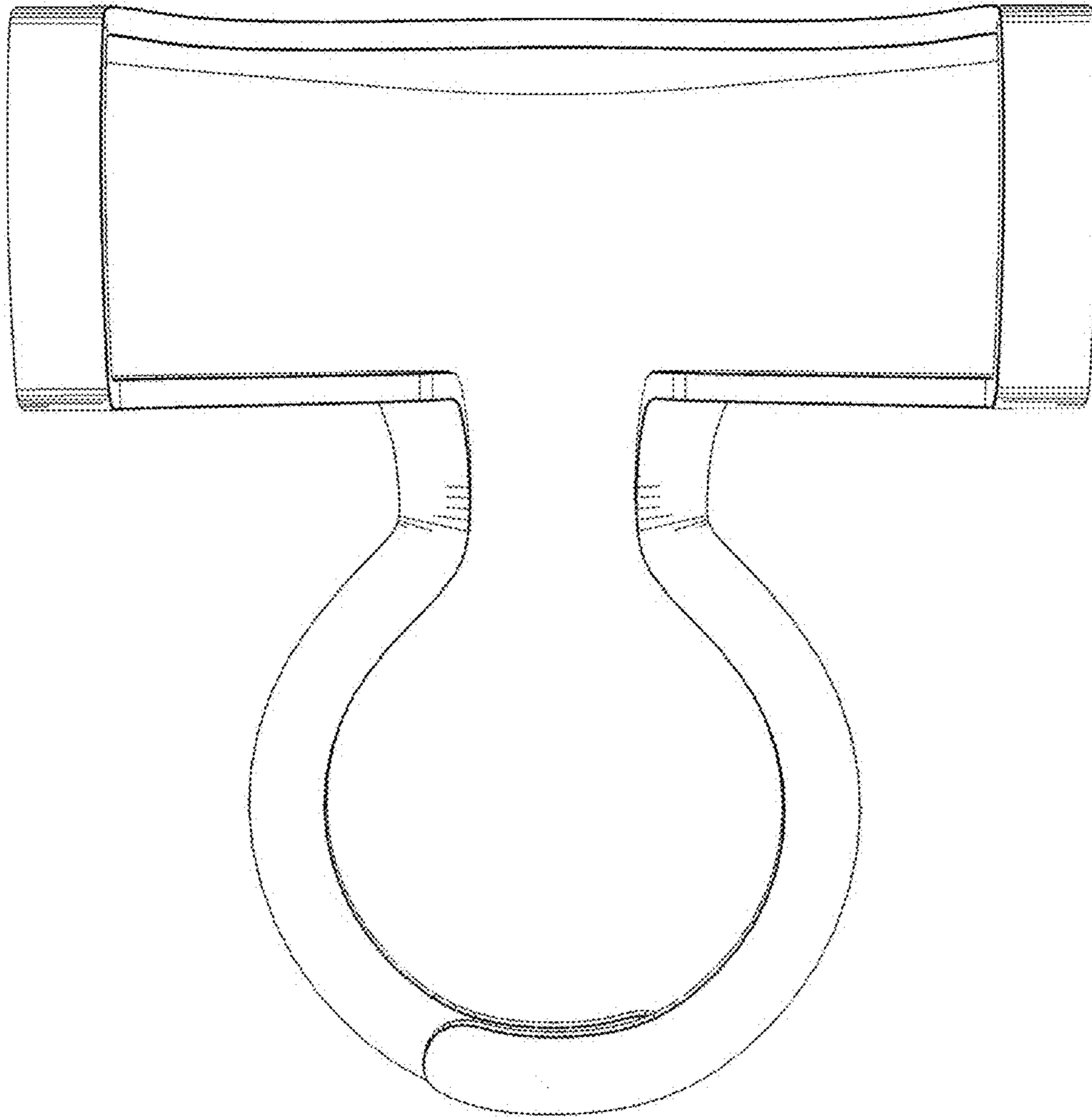


FIG. 7