

US00D760516S

(12) **United States Design Patent**
Yu

(10) **Patent No.:** **US D760,516 S**
(45) **Date of Patent:** **** Jul. 5, 2016**

- (54) **CLOTHES SHELF**
- (71) Applicant: **Wen-Chang Yu, Taipei (TW)**
- (72) Inventor: **Wen-Chang Yu, Taipei (TW)**
- (**) Term: **14 Years**
- (21) Appl. No.: **29/500,747**
- (22) Filed: **Aug. 28, 2014**
- (51) **LOC (10) Cl.** **06-06**
- (52) **U.S. Cl.**
USPC **D6/680.2**
- (58) **Field of Classification Search**
USPC D6/396-397, 436, 411, 415, 449, 474,
D6/455-469, 672-673, 675-675.1, 675.3,
D6/680, 680.2; 211/11, 13.1, 85.1, 85.2,
211/85.4, 70, 78, 107, 196-200, 131.1,
211/133.2, 163-164, 181.1, 182; 312/237,
312/326
CPC ... A47F 5/0006; A47F 5/0018; A47F 5/0025;
A47F 5/0087
See application file for complete search history.

D452,390 S *	12/2001	Petti	D6/681.3
D457,751 S *	5/2002	Stafford	D6/680.1
D463,679 S *	10/2002	Chang	D6/681.3
D536,902 S *	2/2007	Wu	D6/680.2
D555,960 S *	11/2007	Pena	D6/552
D558,465 S *	1/2008	Mattioli	D6/315
D572,503 S *	7/2008	White	D6/699.1
D625,124 S *	10/2010	Campbell	D6/680
D653,462 S *	2/2012	Trexler	D6/323
8,136,786 B2 *	3/2012	Kepes	A47B 97/08 248/166
D682,582 S *	5/2013	Levy	D6/680.2
D685,235 S *	7/2013	Goodman	D7/704
D693,478 S *	11/2013	Irick	D24/158
D699,486 S *	2/2014	Huang	D6/681.3
D747,901 S *	1/2016	Kanagy	D6/673

* cited by examiner

Primary Examiner — Kelley Donnelly
(74) *Attorney, Agent, or Firm* — Alan D. Kamrath; Kamrath IP Lawfirm, P.A.

(57) **CLAIM**
The ornamental design for a clothes shelf, as shown and described.

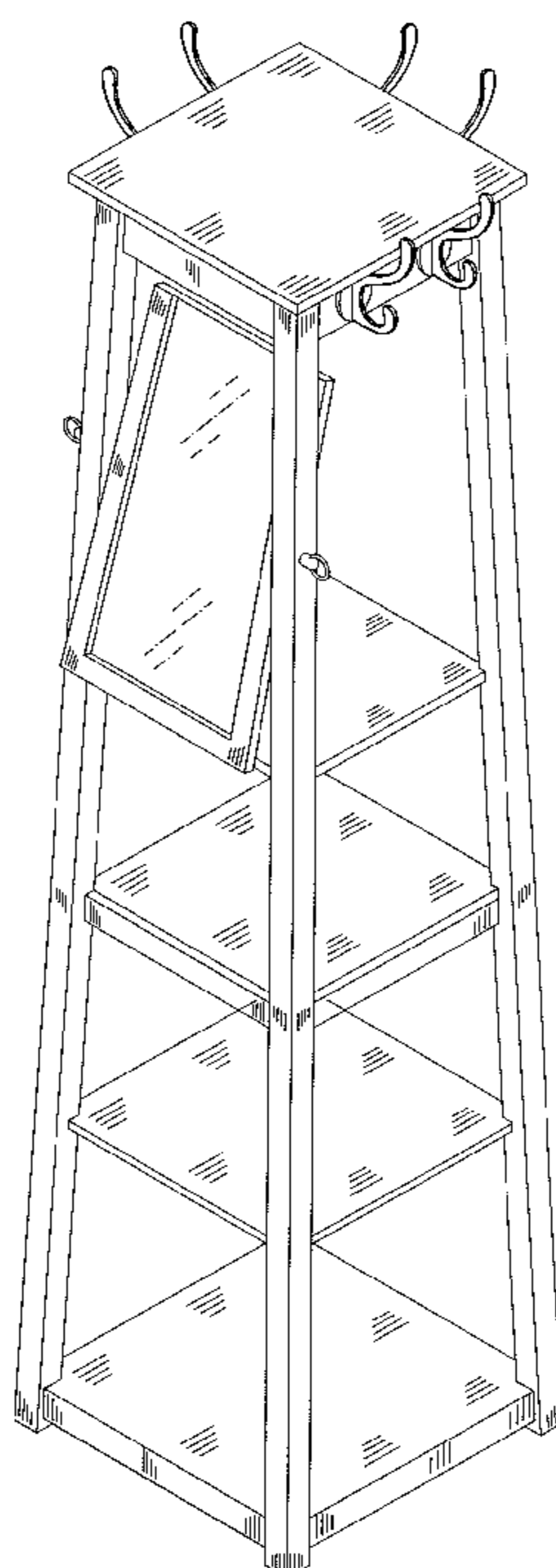
DESCRIPTION

FIG. 1 is a perspective view of a clothes shelf showing my design;
FIG. 2 is a front elevational view thereof;
FIG. 3 is a rear elevational view thereof;
FIG. 4 is a left side elevational view thereof;
FIG. 5 is a right side elevational view thereof;
FIG. 6 is a top plan view thereof; and,
FIG. 7 is a bottom plan view thereof.

1 Claim, 7 Drawing Sheets

(56) **References Cited**
U.S. PATENT DOCUMENTS

D44,711 S *	9/1913	Roberts	D6/681.3
D263,653 S *	4/1982	Viets	D10/71
4,655,354 A *	4/1987	Cohen	A47F 5/108 211/199
D369,032 S *	4/1996	Huang	D6/680
D390,725 S *	2/1998	Vairo	D6/681.3
D393,173 S *	4/1998	Harris	D6/630
D450,473 S *	11/2001	Walter	D6/681.1



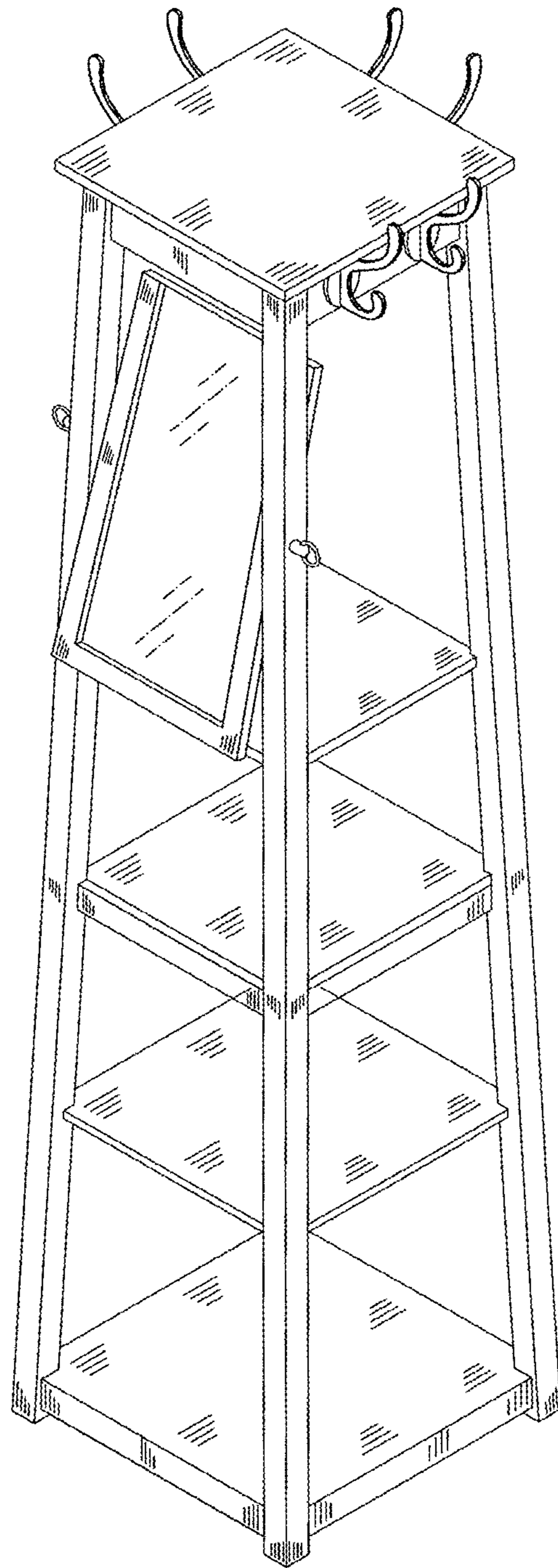


FIG. 1

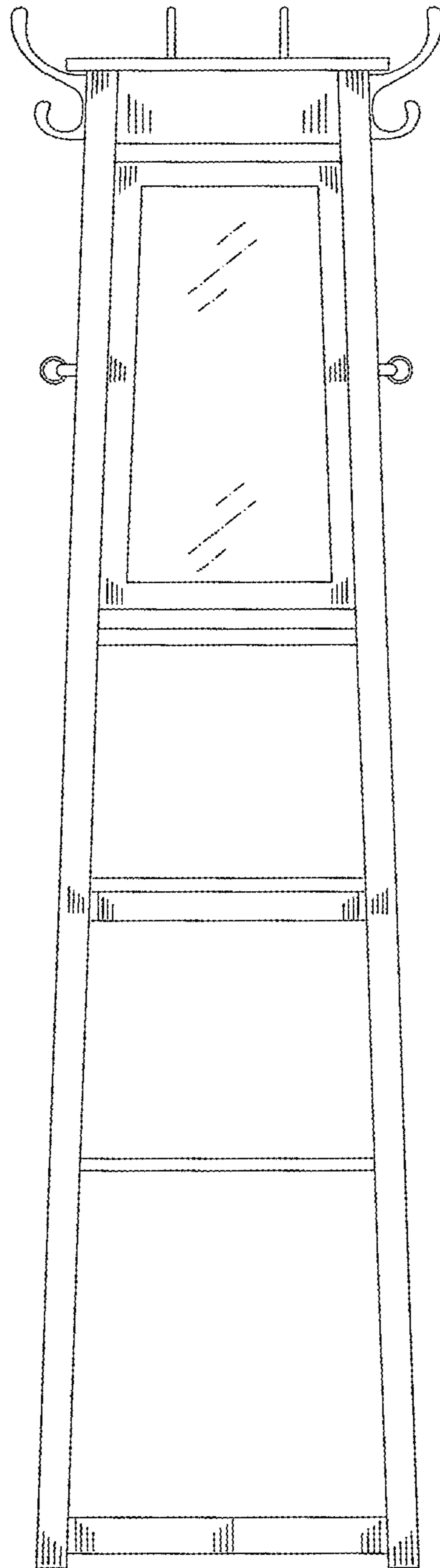


FIG. 2

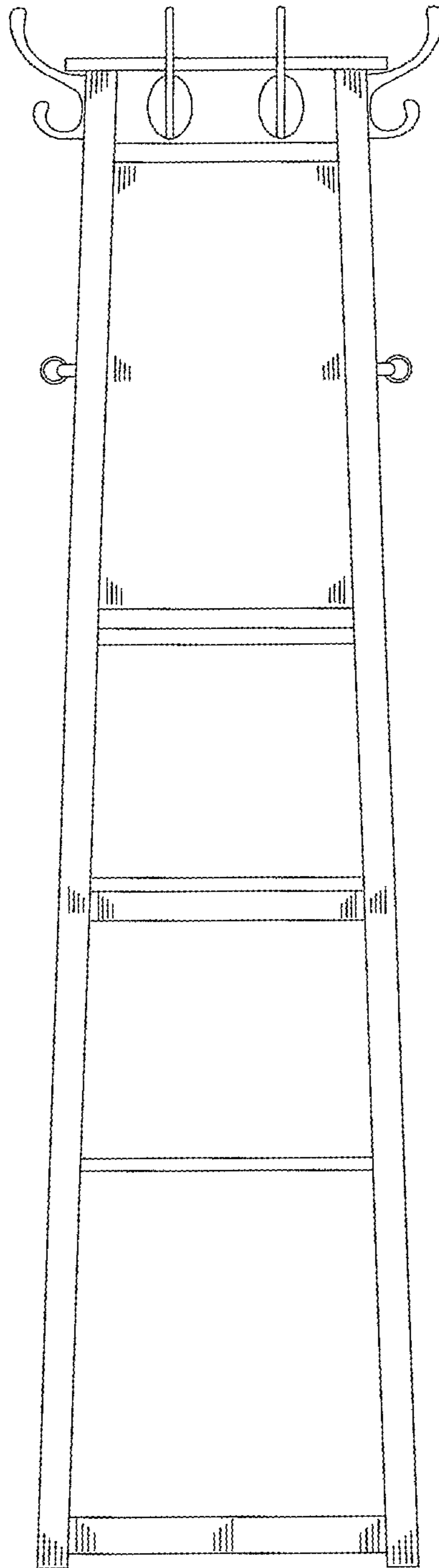


FIG. 3

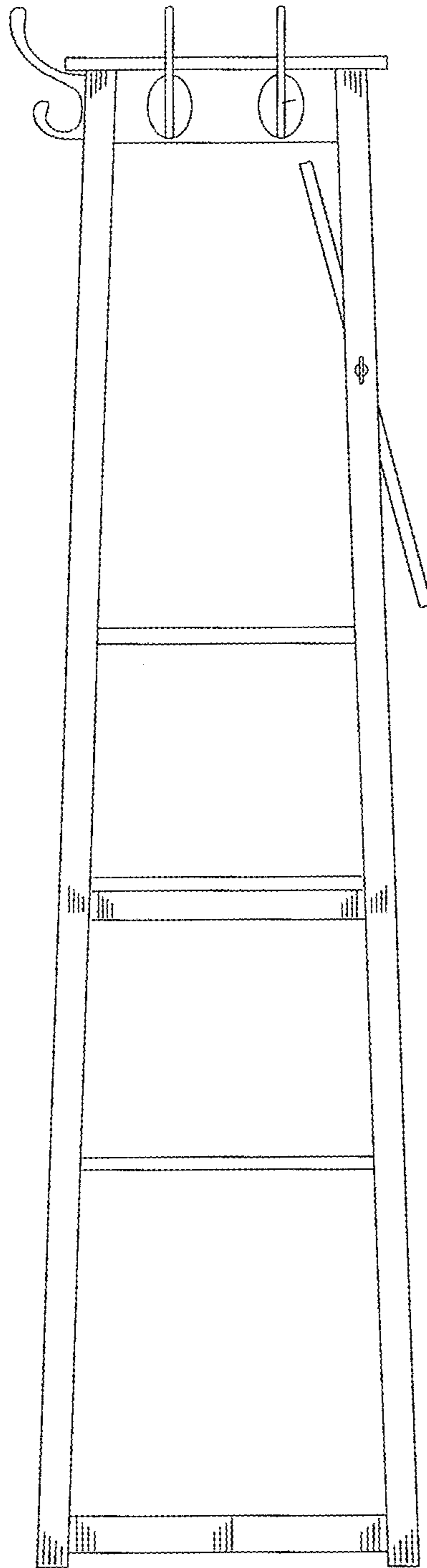


FIG. 4

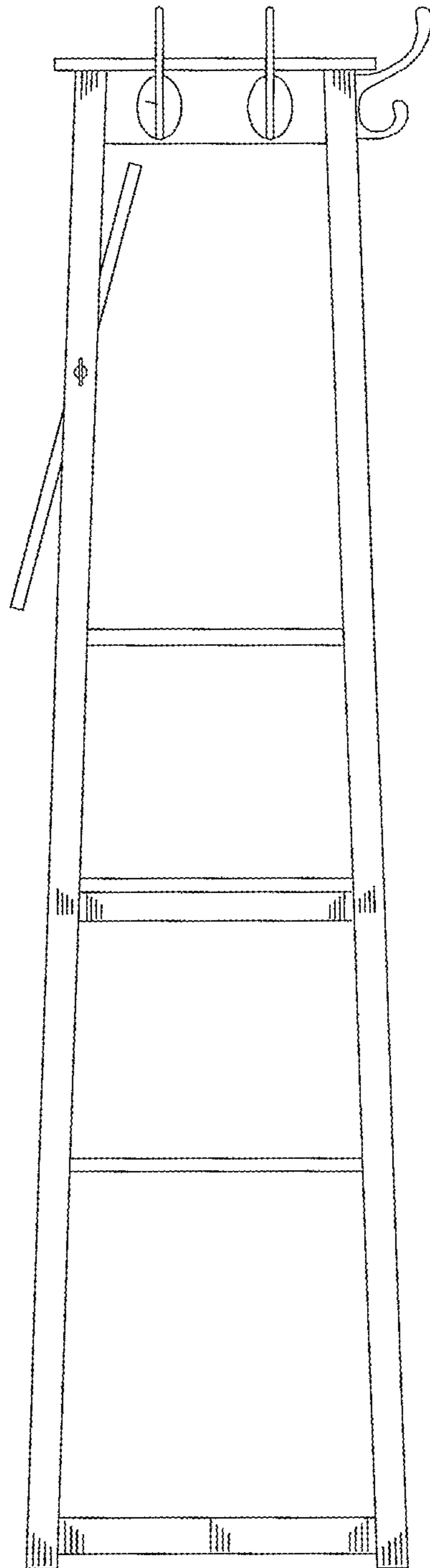


FIG. 5

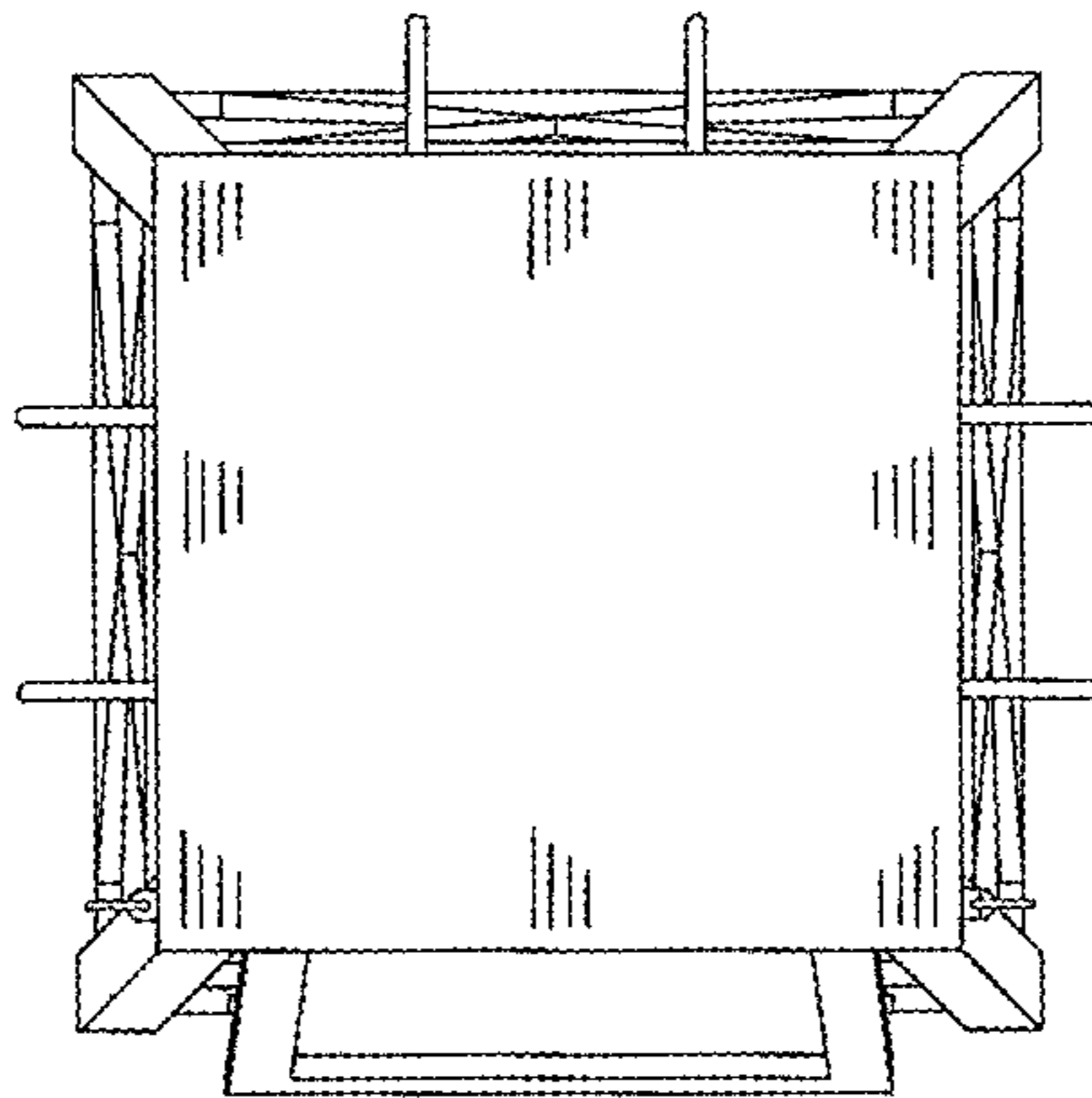


FIG. 6

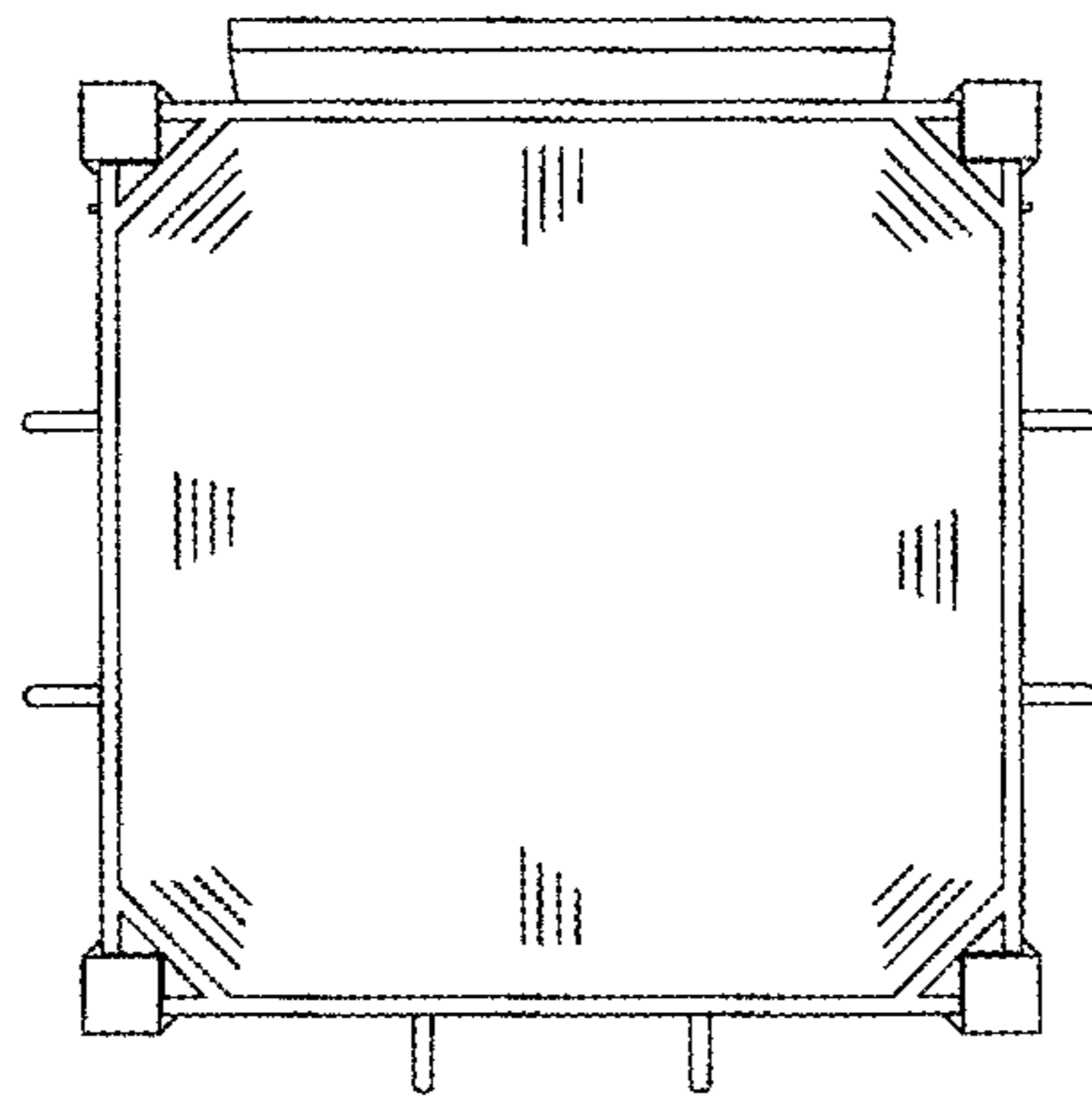


FIG. 7