



US00D760515S

(12) **United States Design Patent**
Snider

(10) **Patent No.:** **US D760,515 S**
(45) **Date of Patent:** **** Jul. 5, 2016**

- (54) **THREE TIER SPA CADDY**
- (71) Applicant: **MSA Products, Inc.**, Nyack, NY (US)
- (72) Inventor: **Martin Snider**, New City, NY (US)
- (73) Assignee: **MSA Products, Inc.**, Nyack, NY (US)
- (**) Term: **15 Years**
- (21) Appl. No.: **29/531,268**
- (22) Filed: **Jun. 24, 2015**
- (51) **LOC (10) Cl.** **06-06**
- (52) **U.S. Cl.**
USPC **D6/675.2**
- (58) **Field of Classification Search**
USPC D6/672, 678, 678.1, 678.4, 676, 676.1,
D6/676.5
CPC A47B 55/02; A47B 81/002
See application file for complete search history.

- D462,201 S * 9/2002 Palmer D6/675.2
- D493,660 S * 8/2004 Goodman D6/566
- D514,847 S * 2/2006 Peller D6/676.2
- D588,840 S * 3/2009 Dretzka D6/525
- D653,068 S * 1/2012 Klein D6/562
- D701,714 S * 4/2014 Gelman D6/562
- 9,107,496 B2 * 8/2015 Lindo A47K 3/281

* cited by examiner

Primary Examiner — Kelley Donnelly

(74) *Attorney, Agent, or Firm* — Gerald E. Hespos; Michael J. Porco; Matthew T. Hespos

(56) **References Cited**

U.S. PATENT DOCUMENTS

- D316,345 S * 4/1991 Mo Yau Kee D6/676.2
- D316,494 S * 4/1991 Kee D6/675.2
- D327,795 S * 7/1992 Kee D6/676.2
- D382,733 S * 8/1997 Goetz D6/676.1
- D387,595 S * 12/1997 Whang D6/525
- D419,020 S * 1/2000 Emery D6/525

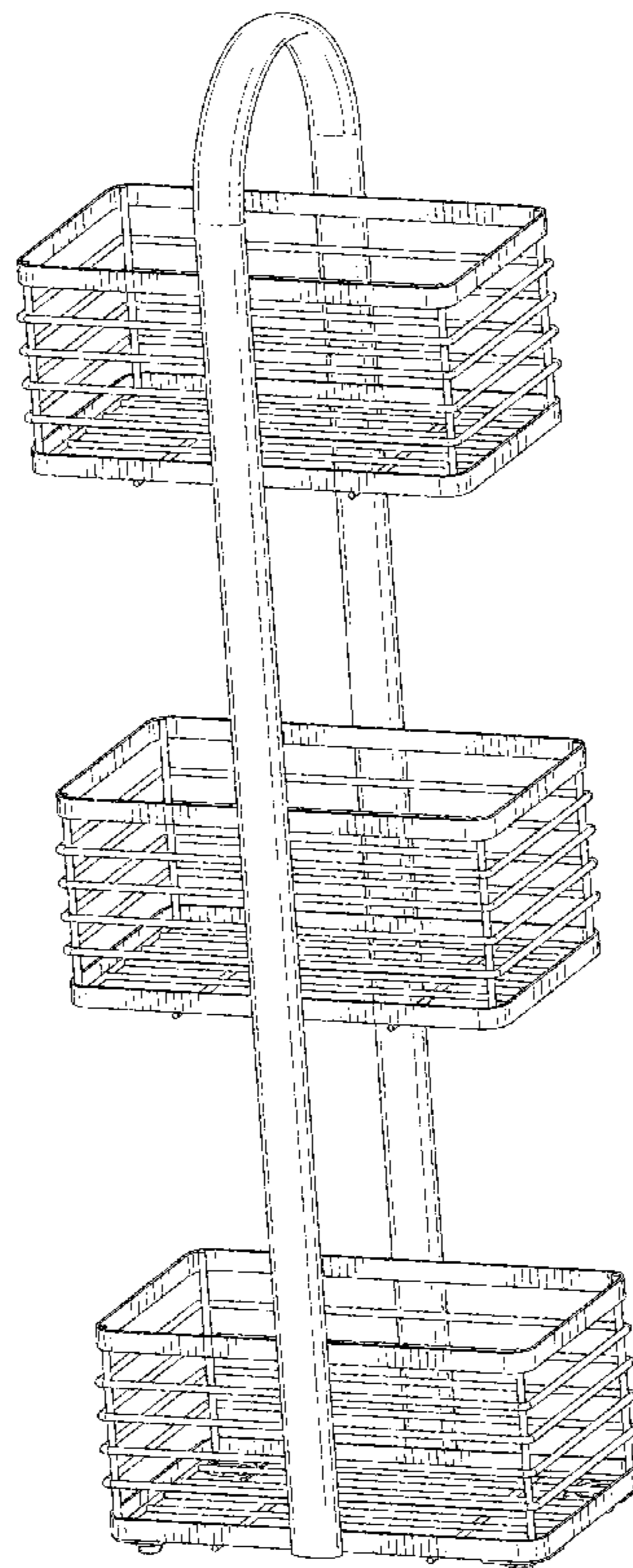
(57) **CLAIM**

The ornamental design for a three tier spa caddy, as shown and described.

DESCRIPTION

FIG. 1 is a perspective view of a three tier spa caddy in accordance with my design.
 FIG. 2 is a front elevational view thereof;
 FIG. 3 is a rear elevational view thereof;
 FIG. 4 is a right side elevational view;
 FIG. 5 is a left side elevational view;
 FIG. 6 is a top plan view; and,
 FIG. 7 is a bottom plan view.

1 Claim, 6 Drawing Sheets



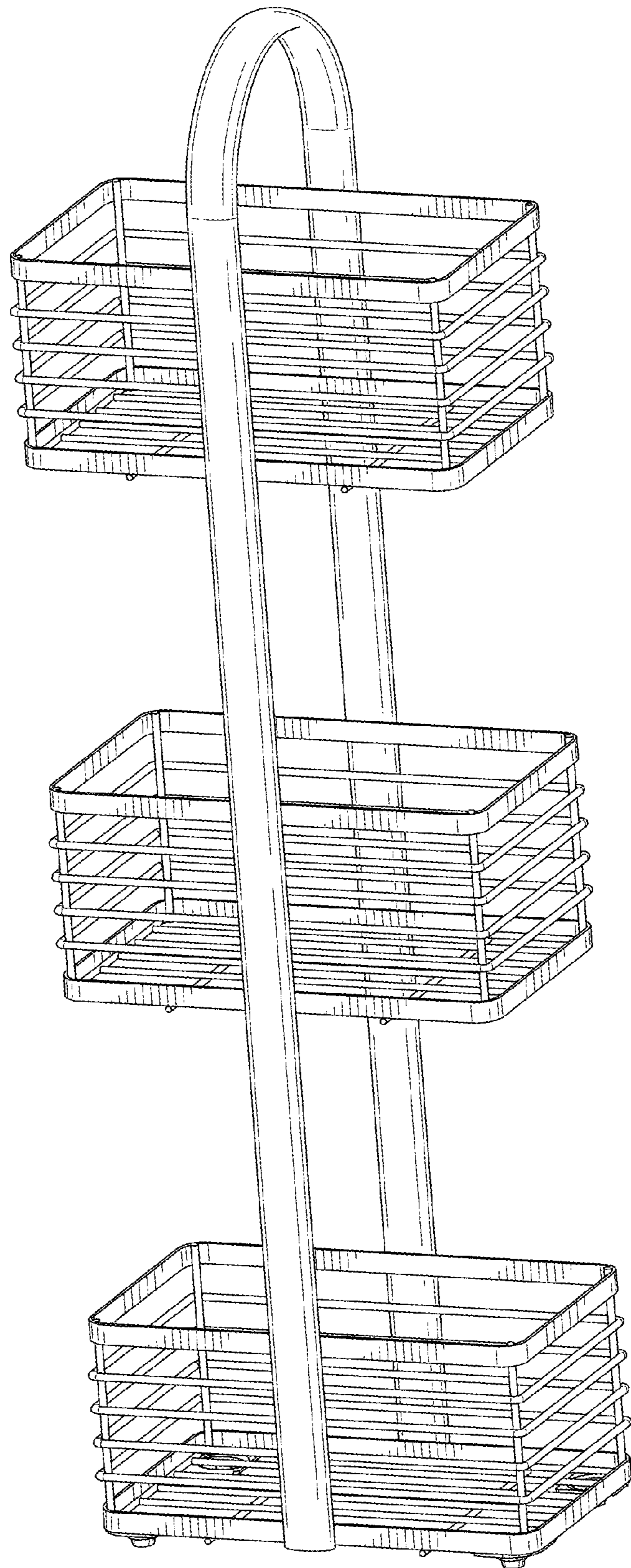


FIG. 1

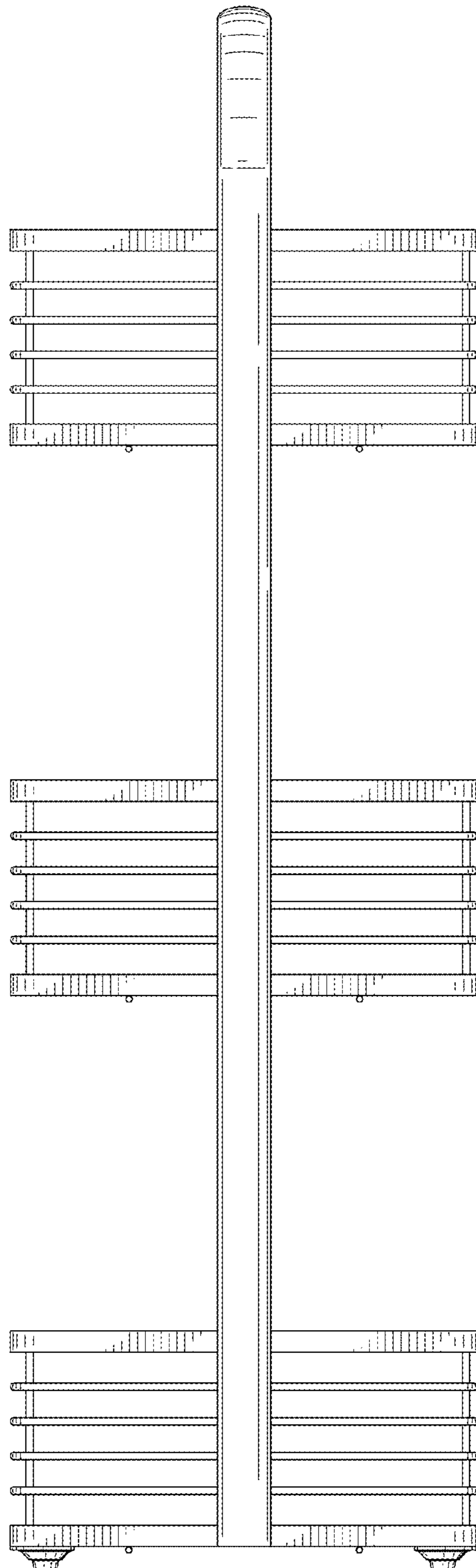


FIG. 2

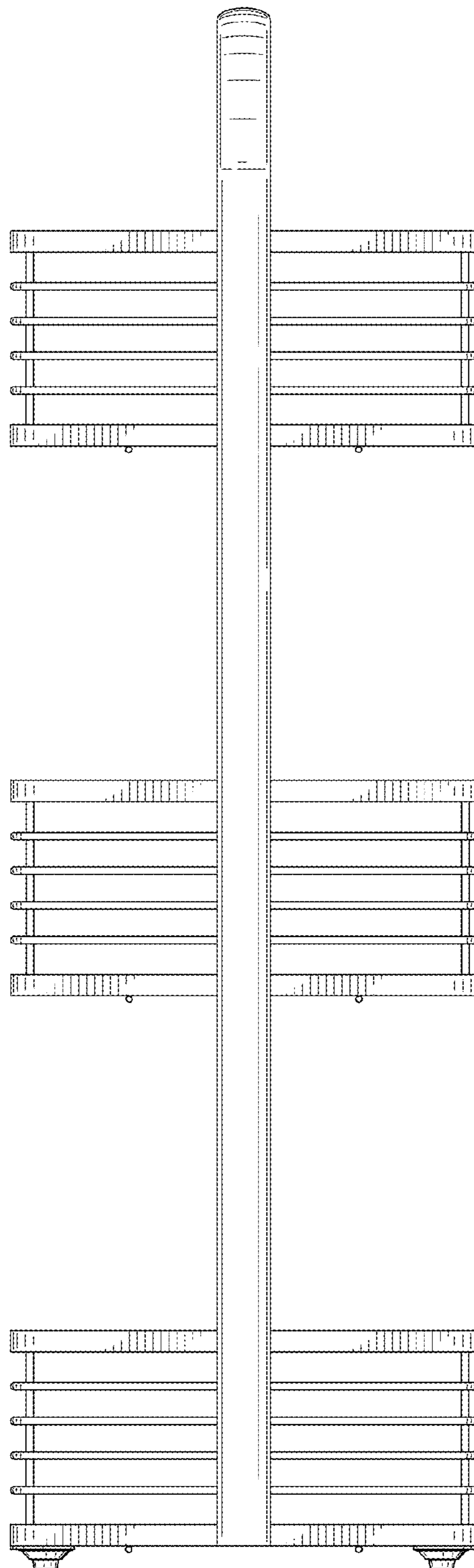


FIG. 3

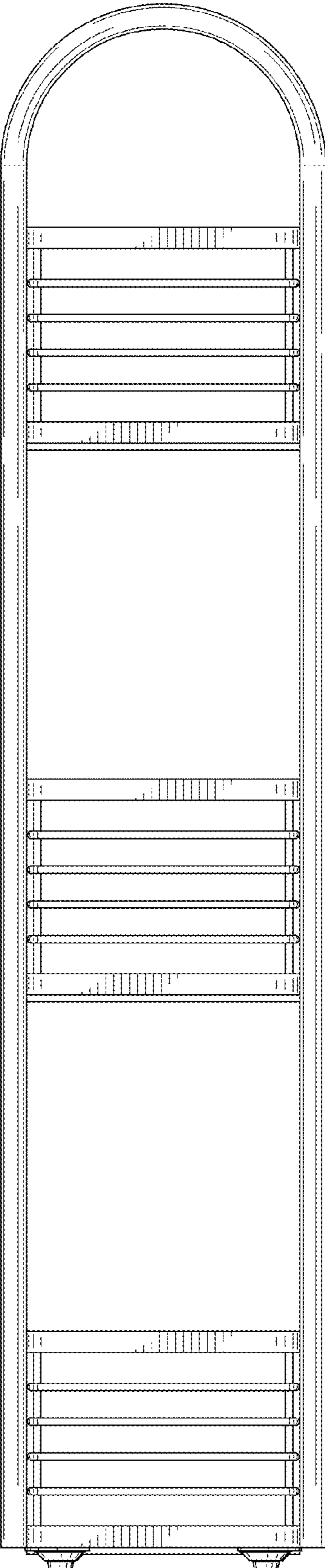


FIG. 4

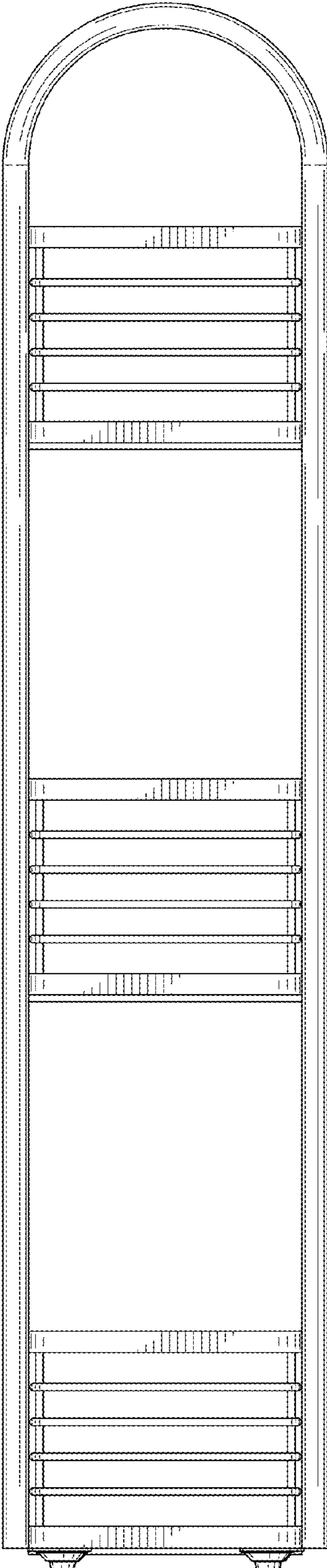


FIG. 5

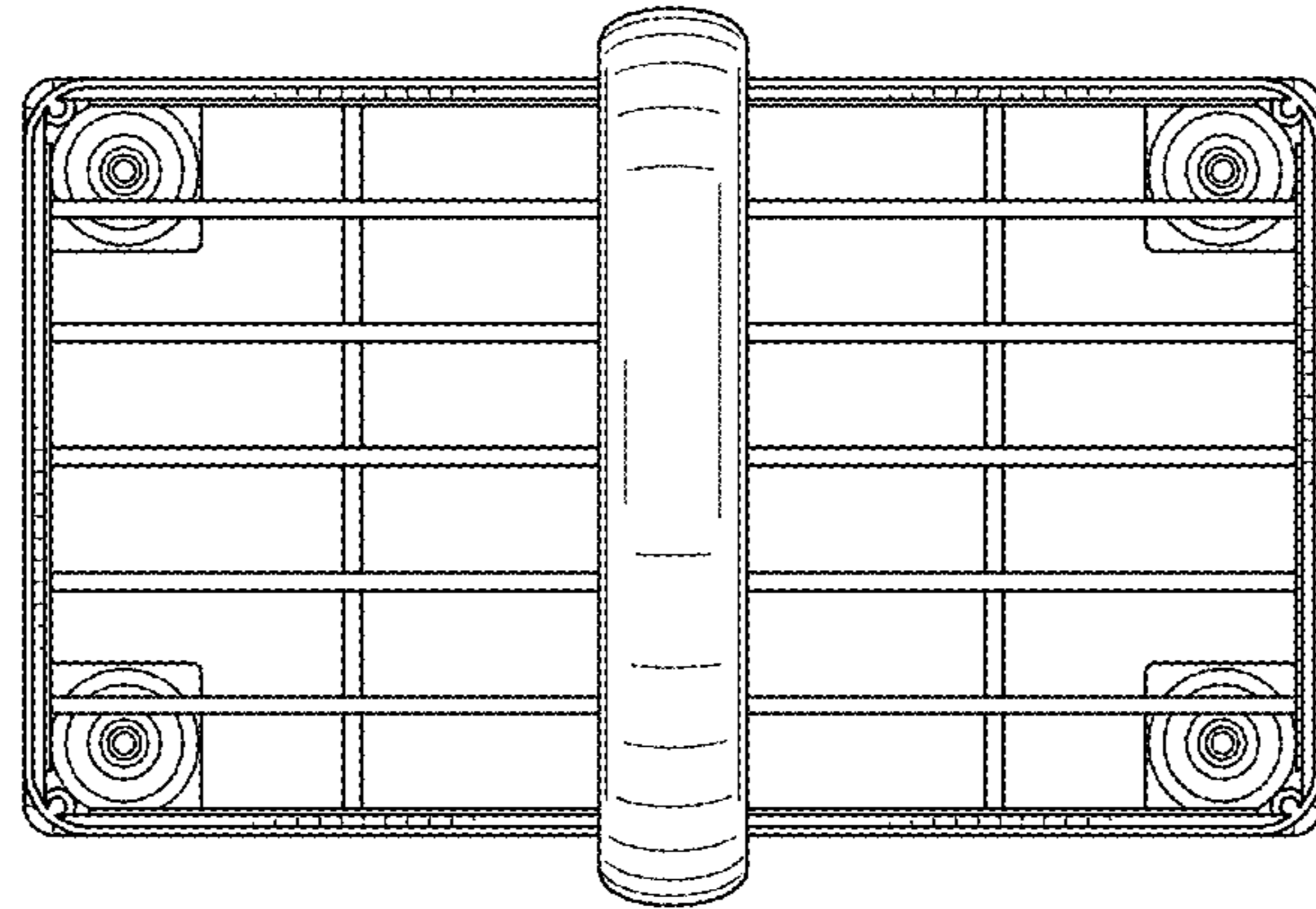


FIG. 6

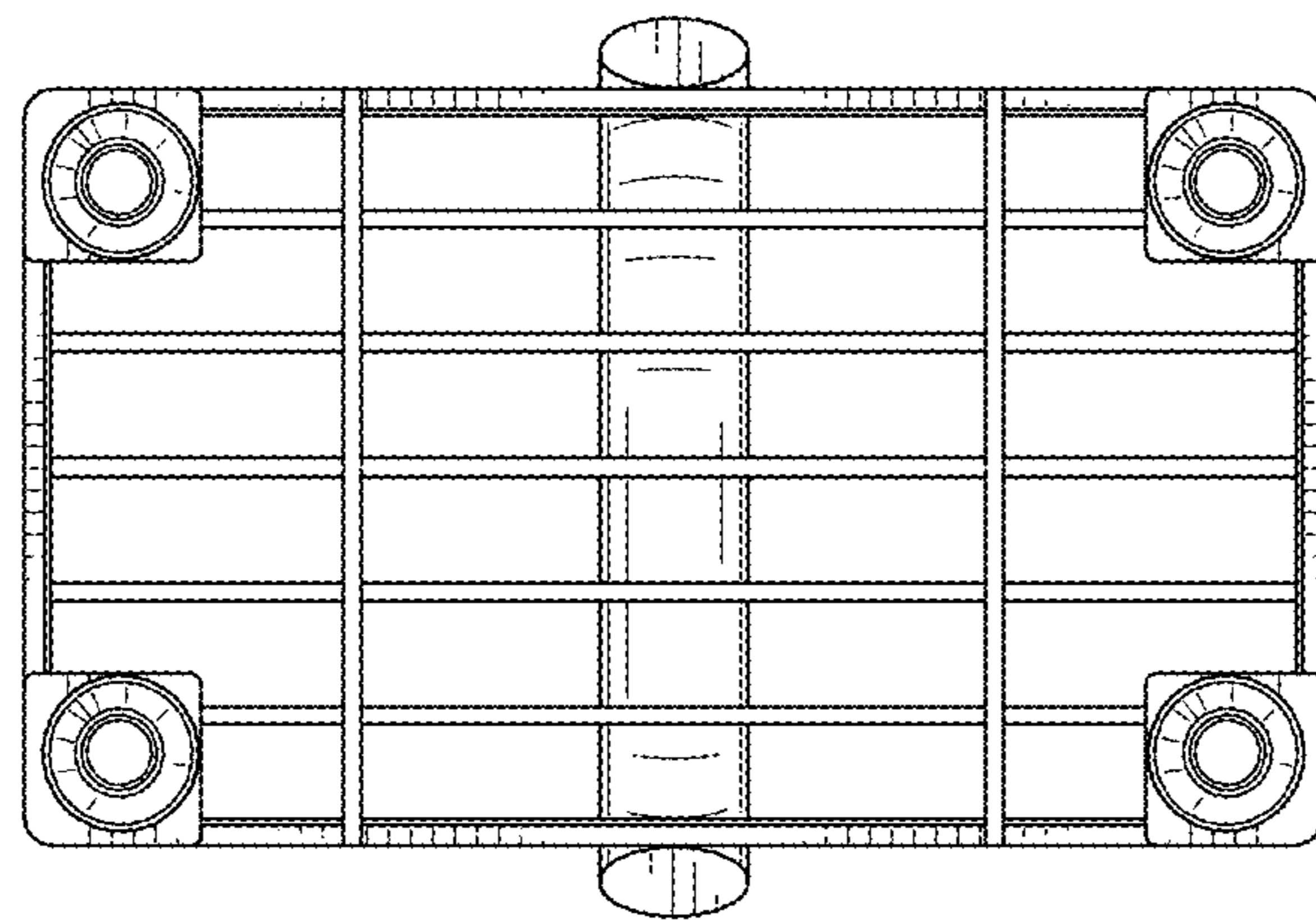


FIG. 7