

US00D760513S

(12) **United States Design Patent**
Barho

(10) **Patent No.:** **US D760,513 S**

(45) **Date of Patent:** **** Jul. 5, 2016**

(54) **DISPLAY CABINET**

(56) **References Cited**

(71) Applicant: **STAEDTLER MARS GMBH & CO.**
KG, Nürnberg (DE)

U.S. PATENT DOCUMENTS

(72) Inventor: **Matthias Barho**, Heilbronn (DE)

D439,762	S	*	4/2001	Harwanko	D6/662.1
D444,011	S	*	6/2001	Wanek	D6/384
D446,048	S	*	8/2001	Sabo	D6/671.1
D488,322	S	*	4/2004	Clucas	D6/662.1
D506,883	S	*	7/2005	Vaaler	D6/671.1
7,040,724	B2	*	5/2006	Kelley	A47B 81/06 312/205
D559,013	S	*	1/2008	McLaughlin	D6/675.1
D590,643	S	*	4/2009	Domack	D6/657
D602,709	S	*	10/2009	Williams	D6/657
D654,723	S	*	2/2012	Gormezano	D6/671.1
D655,947	S	*	3/2012	Doane	D6/661
D696,534	S	*	12/2013	Fiori	D6/661
D743,719	S	*	11/2015	Barho	D6/661

(73) Assignee: **STAEDTLER MARS GMBH & CO.**
KG, Nürnberg (DE)

(**) Term: **15 Years**

(21) Appl. No.: **29/533,638**

(22) Filed: **Jul. 20, 2015**

* cited by examiner

Related U.S. Application Data

(62) Division of application No. 29/477,364, filed on Dec. 20, 2013, now Pat. No. Des. 743,719.

Primary Examiner — Ricky Pham

(74) *Attorney, Agent, or Firm* — Lucas & Mercanti, LLP;
Klaus P. Stoffel

(30) **Foreign Application Priority Data**

Jul. 1, 2013	(EM)	002 265 801-0001
Jul. 1, 2013	(EM)	002 265 801-0002
Jul. 1, 2013	(EM)	002 265 801-0003

(57) **CLAIM**

The ornamental design for a display cabinet, as shown and described.

(51) **LOC (10) Cl.** **06-04**

(52) **U.S. Cl.**
USPC **D6/661**

DESCRIPTION

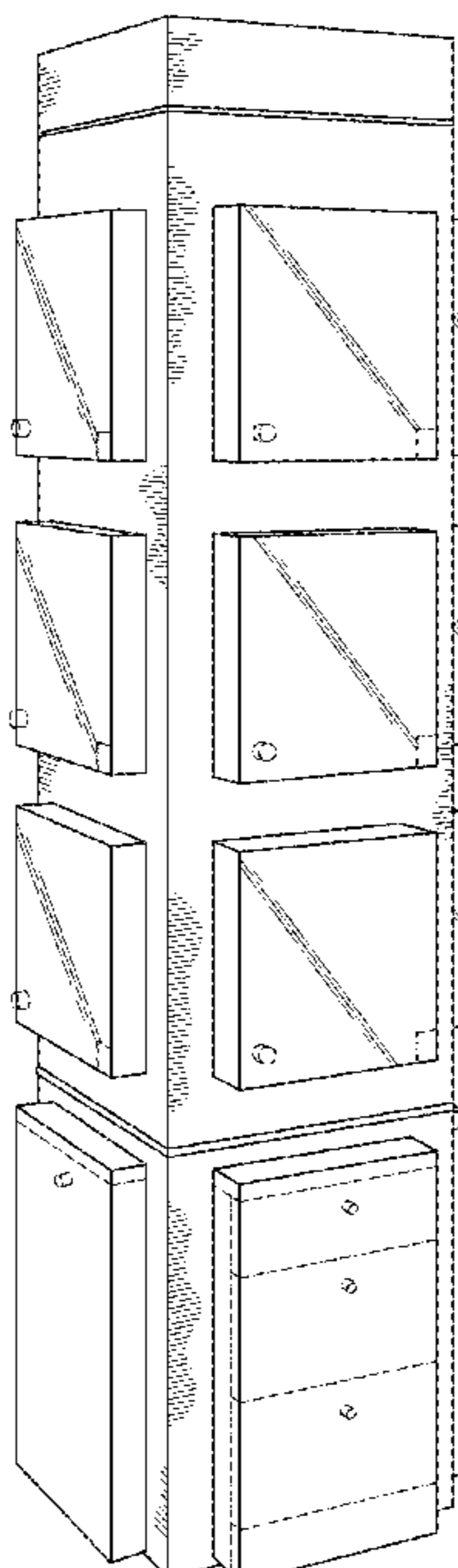
(58) **Field of Classification Search**
USPC D6/653.1, 657, 660-661, 662-662.1,
D6/663, 664, 671, 671.1, 672, 675.1, 702,
D6/718.14

FIG. 1 is a perspective view of the display cabinet of the present invention;
FIG. 2 is a front view thereof;
FIG. 3 is a rear view thereof;
FIG. 4 is left side view thereof; and,
FIG. 5 is right side view thereof.

CPC A47B 17/03; A47B 17/04; A47B 81/06;
A47F 3/00; A47F 3/005; A47F 3/06
See application file for complete search history.

Features indicated in broken lines do not form part of the claimed design.

1 Claim, 3 Drawing Sheets



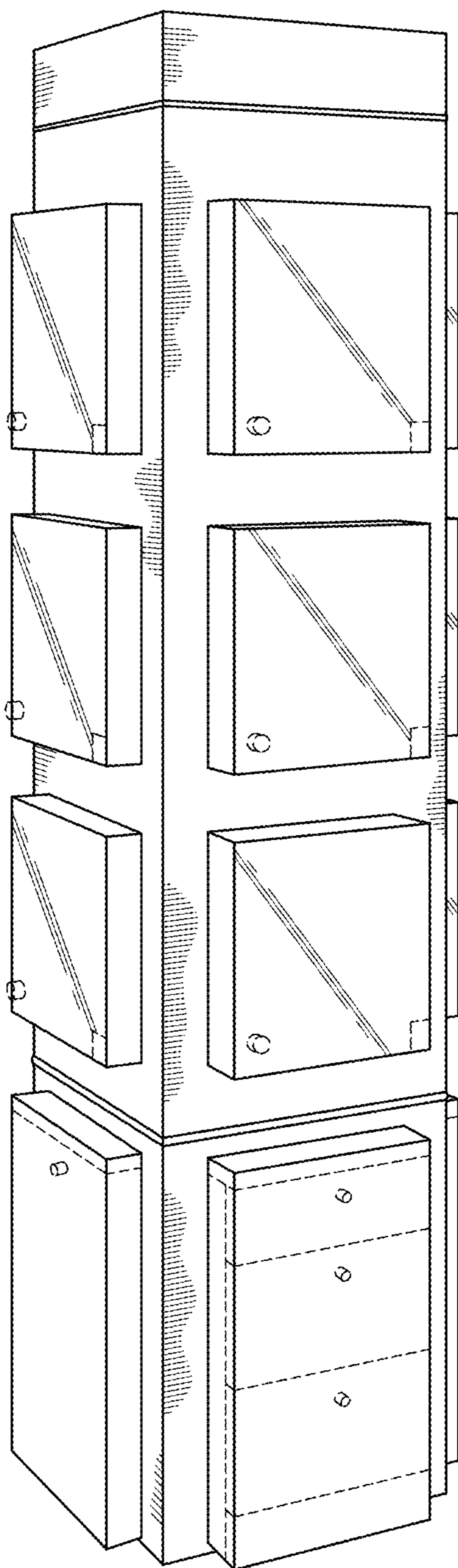


FIG. 1

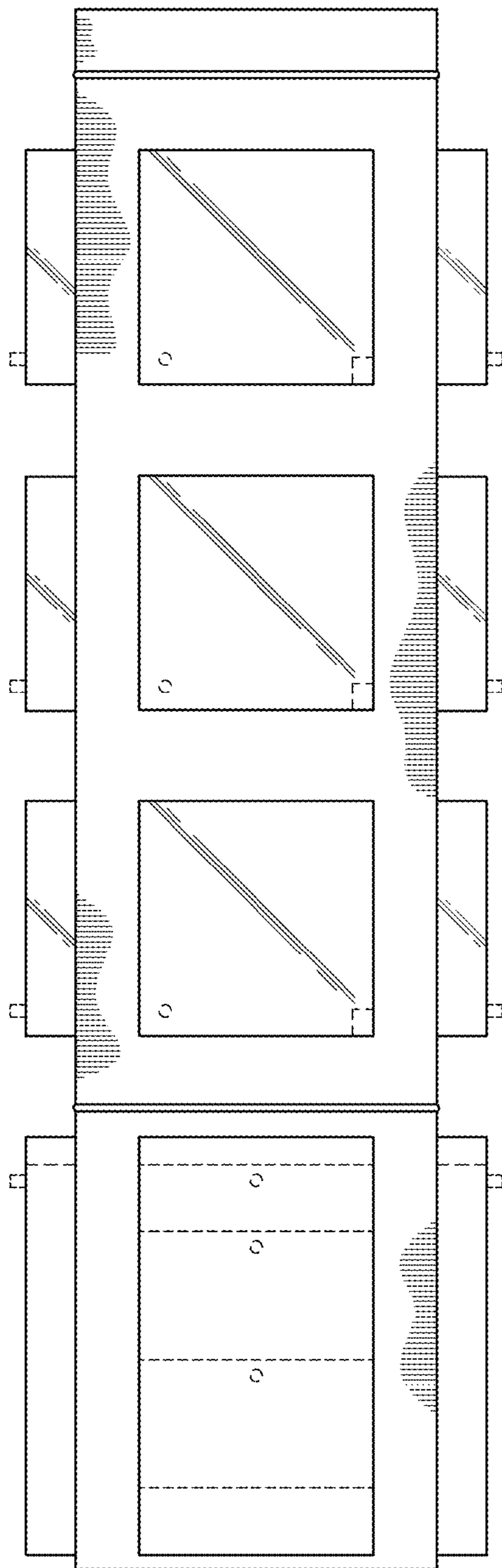


FIG. 2

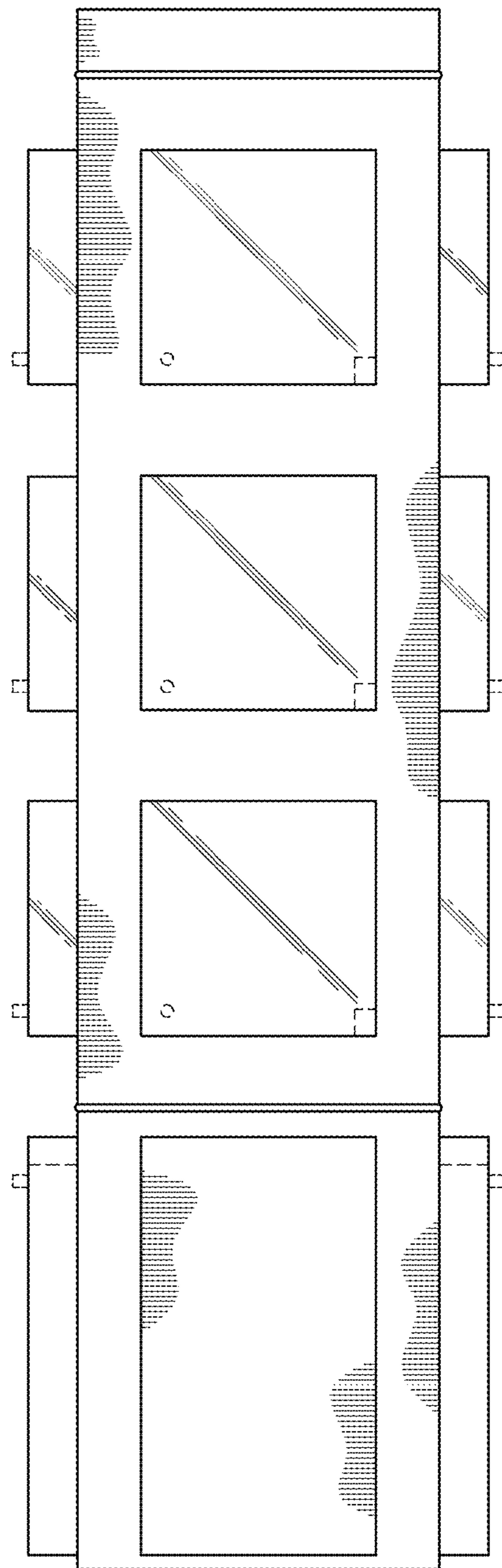


FIG. 3

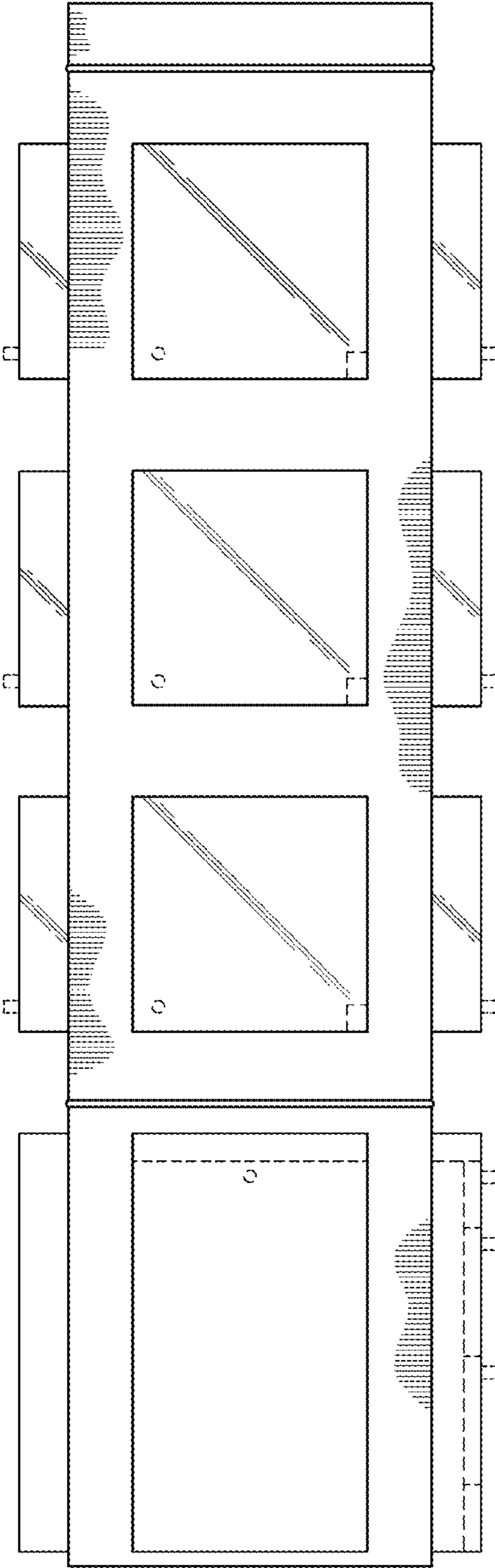


FIG. 4

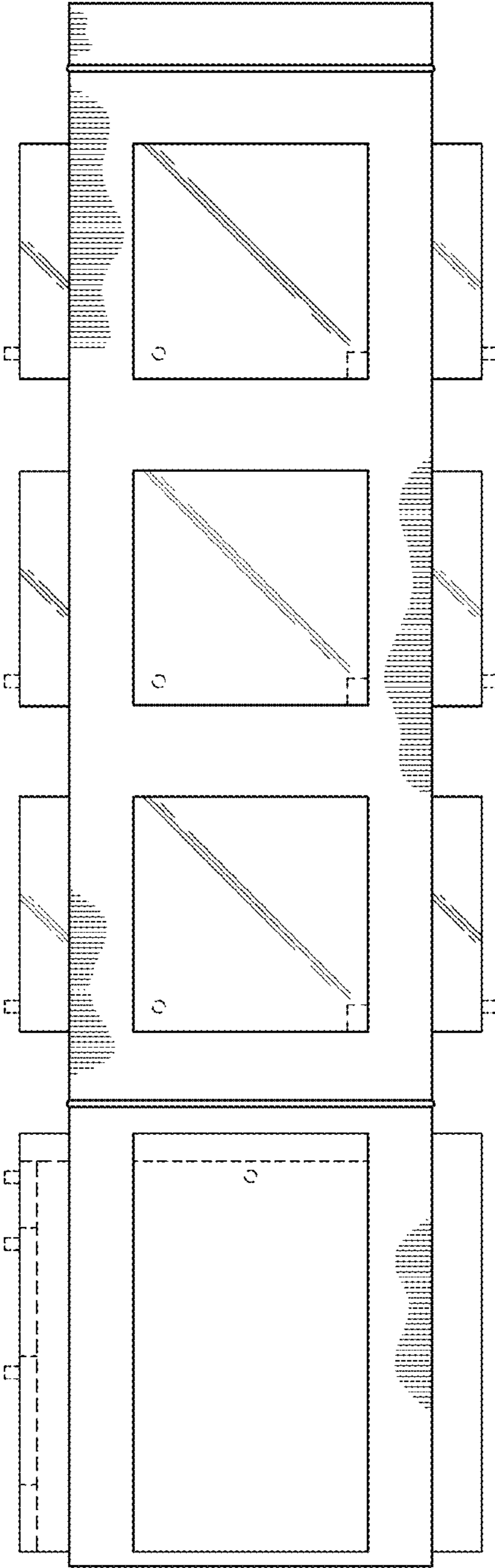


FIG. 5