



US00D760511S

(12) **United States Design Patent**
Zabelinsky

(10) **Patent No.:** **US D760,511 S**
(45) **Date of Patent:** **** Jul. 5, 2016**

(54) **ANCHORED MAT HAVING A RESERVOIR TO COLLECT LIQUIDS**

(71) Applicant: **DRM Engineering, Corp.**, Hollywood, FL (US)

(72) Inventor: **Steven Zabelinsky**, Hollywood, FL (US)

(73) Assignee: **Steven Zabelinsky**, Hollywood, FL (US)

(**) Term: **14 Years**

(21) Appl. No.: **29/524,925**

(22) Filed: **Apr. 24, 2015**

(51) **LOC (10) Cl.** **06-11**

(52) **U.S. Cl.**
USPC **D6/582**

(58) **Field of Classification Search**
USPC D6/582, 583, 616; D12/221; D30/119, D30/199
See application file for complete search history.

(56) **References Cited**

U.S. PATENT DOCUMENTS

- 229,436 A * 6/1880 Mallett, Jr. A47K 11/035
119/161
- D238,538 S * 1/1976 Smith 15/215
- 5,028,468 A * 7/1991 Taylor A47G 27/0206
428/192
- D356,228 S * 3/1995 Sano D6/582
- D414,642 S * 10/1999 Williams D6/582
- D425,851 S * 5/2000 Tucker D12/221

- 6,079,366 A * 6/2000 Telleen A01K 1/0157
119/525
- D499,924 S * 12/2004 Lee D6/582
- D692,622 S * 10/2013 MacKenney D30/119
- 2007/0087163 A1 * 4/2007 Lasly B60N 3/048
428/131
- 2009/0304985 A1 * 12/2009 Yuan A47G 27/025
428/99
- 2013/0174793 A1 * 7/2013 Powell A01K 13/001
119/652
- 2014/0361573 A1 * 12/2014 Perkins B60N 3/044
296/97.23

* cited by examiner

Primary Examiner — Robert M Spear

Assistant Examiner — John Voytek

(74) *Attorney, Agent, or Firm* — Christian Sanchelima; Jesus Sanchelima

(57) **CLAIM**

The ornamental design for anchored mat having a reservoir to collect liquids, as shown and described.

DESCRIPTION

FIG. 1 is a top plan view of the anchored mat showing the design.

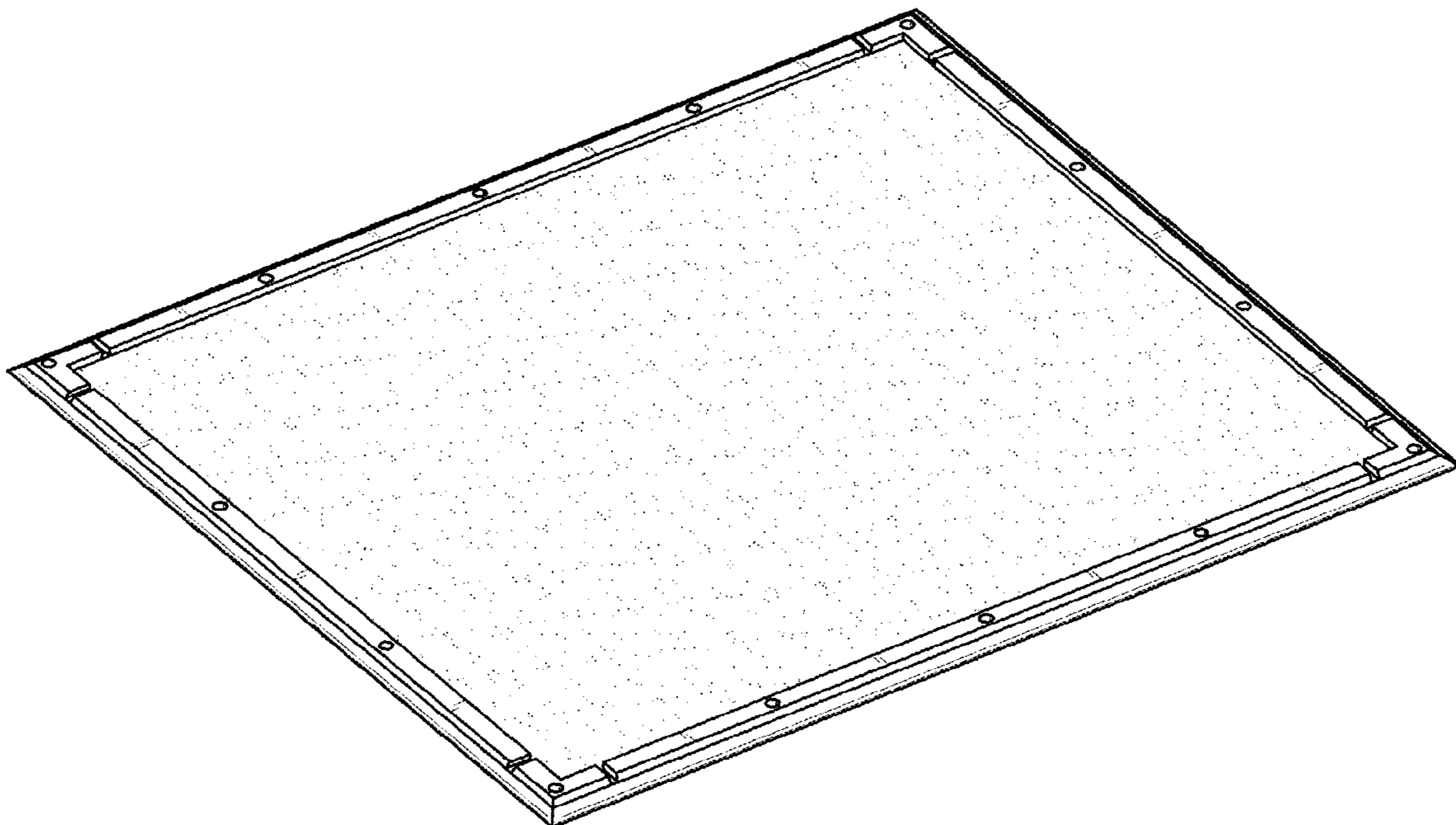
FIG. 2 is a left side cross-section elevational view thereof showing the contours of the anchored mat;

FIG. 3 is a top isometric view of the anchored mat showing throughholes along the outer perimeter of the anchored mat and channels at the corners;

FIG. 4 is a bottom plan view of the anchored mat thereof showing throughholes along the perimeter of the mat; and,

FIG. 5 is a right side cross-section elevational view showing my design.

1 Claim, 5 Drawing Sheets



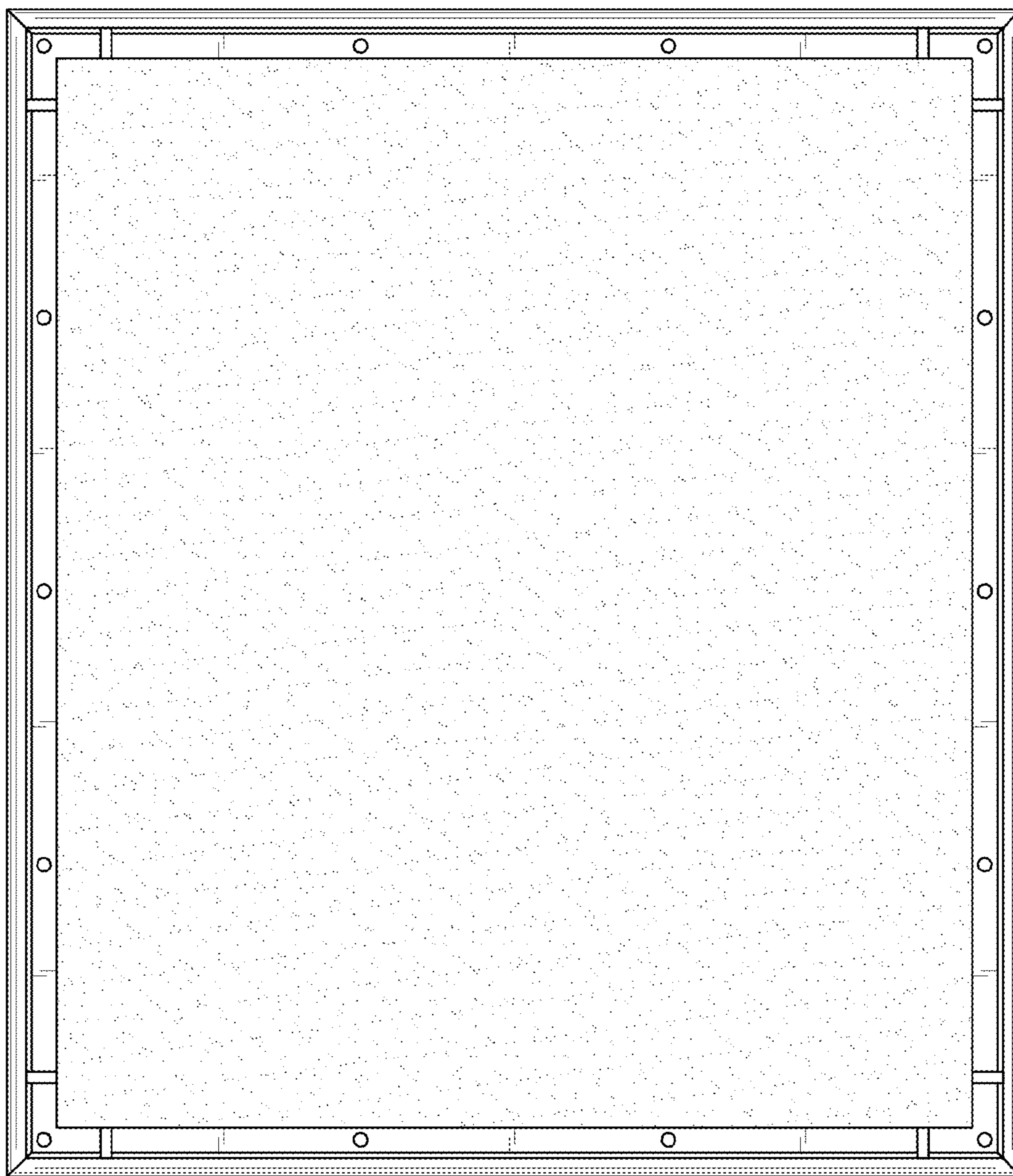


FIG. 1

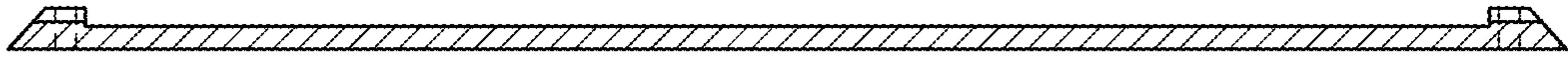


FIG. 2

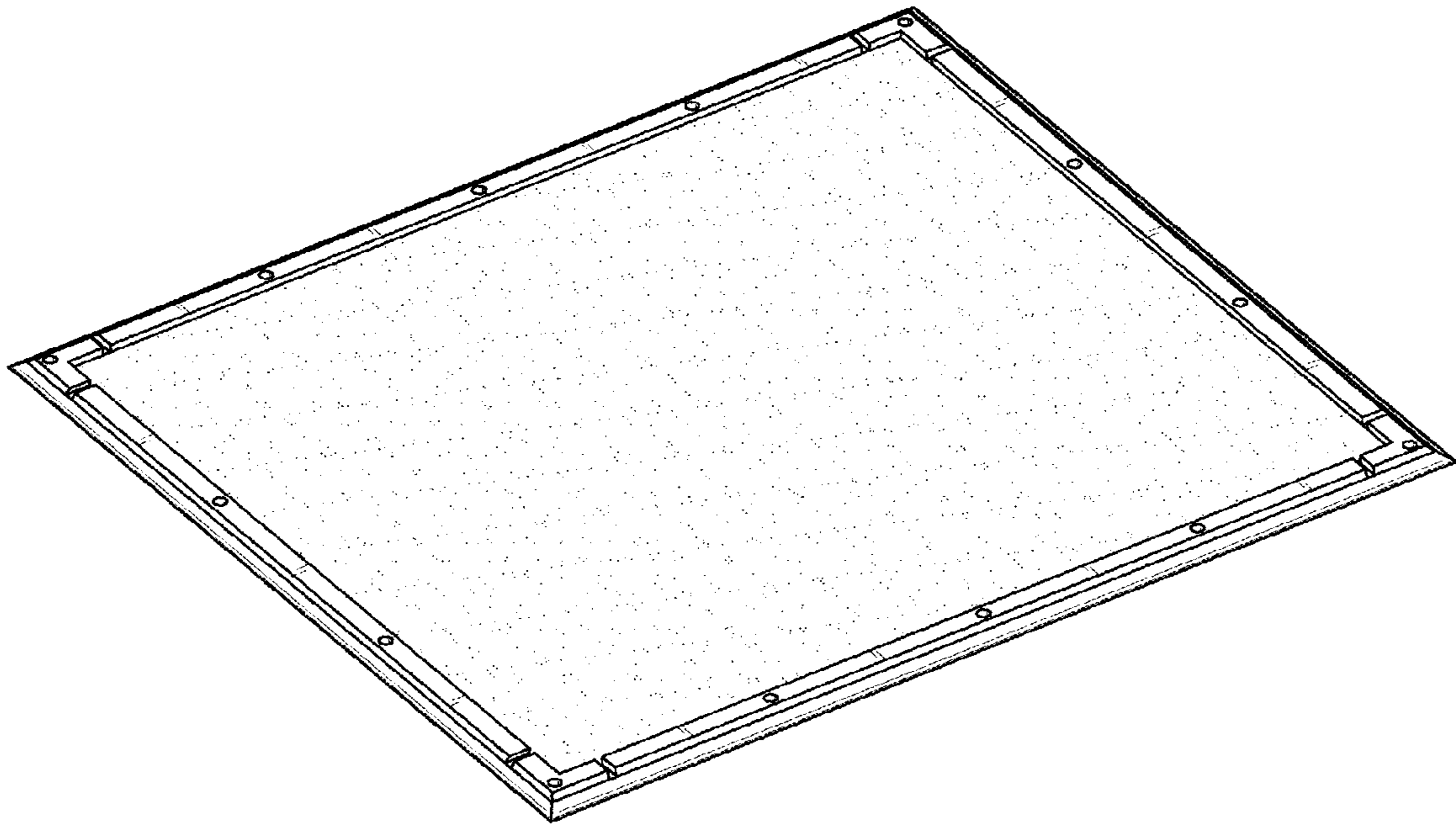


FIG. 3

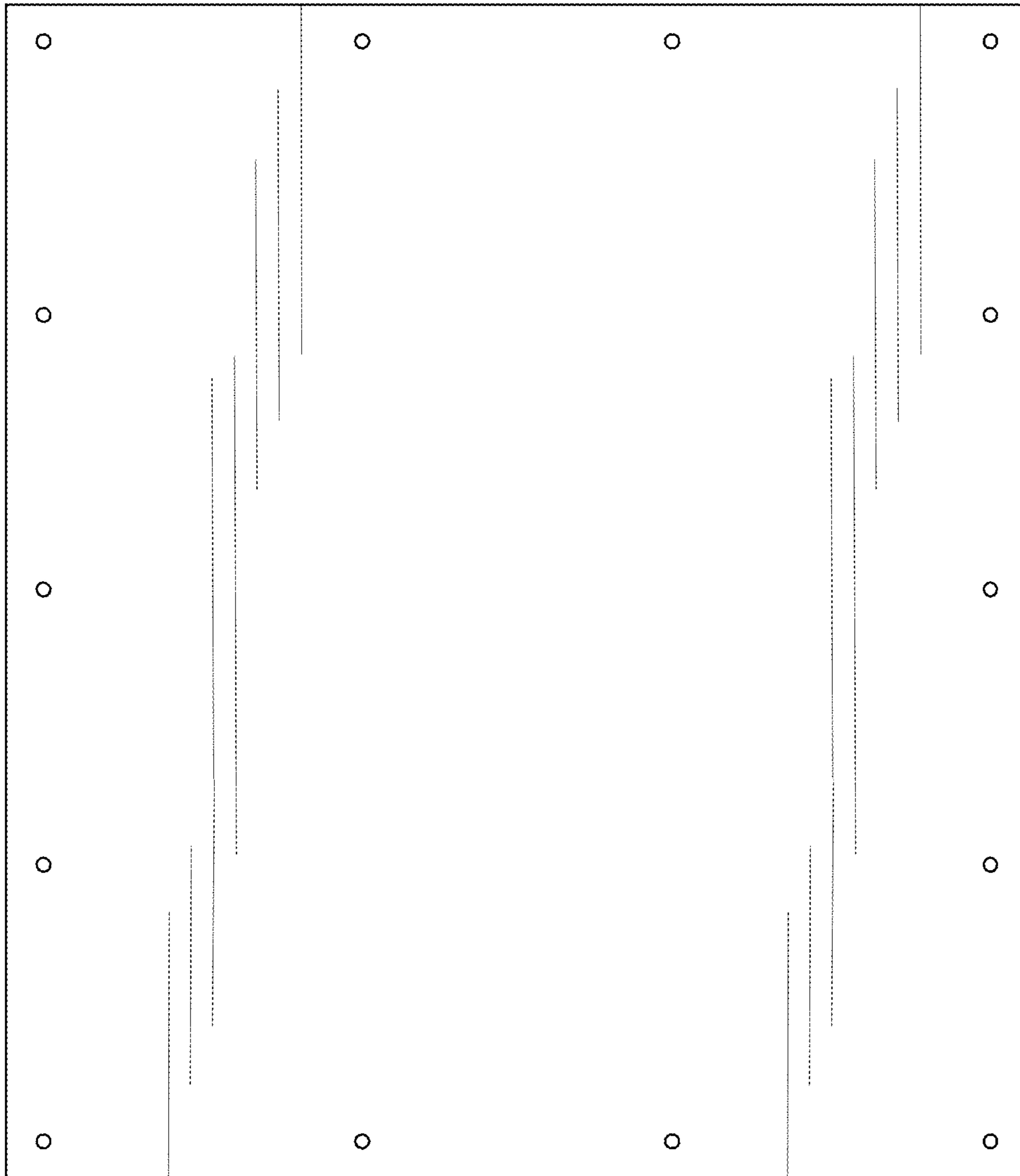


FIG. 4

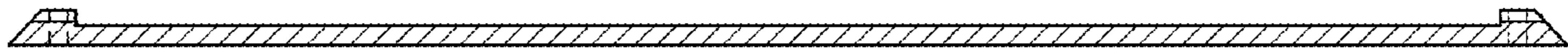


FIG. 5