



US00D760507S

(12) **United States Design Patent**  
**Marcel**

(10) **Patent No.:** **US D760,507 S**  
(45) **Date of Patent:** **\*\* Jul. 5, 2016**

(54) **BICYCLE SEAT**

(71) Applicant: **Vincent Robert Marcel**, El Segundo,  
CA (US)

(72) Inventor: **Vincent Robert Marcel**, El Segundo,  
CA (US)

(\*\*) Term: **14 Years**

(21) Appl. No.: **29/485,540**

(22) Filed: **Mar. 19, 2014**

(51) **LOC (10) Cl.** ..... **06-01**

(52) **U.S. Cl.**  
USPC ..... **D6/354**

(58) **Field of Classification Search**  
USPC ..... D6/340, 354; D12/110, 111, 114;  
296/65.13, 68.1, 132; 297/195.1,  
297/196-215, 215.1-216.16, 452.1,  
297/452.11-452.19, 452.21, 452.4,  
297/452.55-452.59, 452.63-452.65  
CPC ..... B62J 1/002; B62J 1/005; B62J 1/007;  
B62J 1/26  
See application file for complete search history.

(56) **References Cited**

**U.S. PATENT DOCUMENTS**

6,106,059 A \* 8/2000 Minkow et al. .... 297/202  
D591,066 S \* 4/2009 Chao et al. .... D6/354  
D707,046 S \* 6/2014 Huang ..... D6/354  
D713,158 S \* 9/2014 Kawai ..... D6/354  
D716,571 S \* 11/2014 Huan ..... D6/354  
D722,447 S \* 2/2015 Marui ..... D6/354

D723,817 S \* 3/2015 Marui ..... D6/354  
D727,646 S \* 4/2015 Huan ..... D6/354  
2005/0258674 A1 \* 11/2005 Losio et al. .... 297/195.1  
2007/0246978 A1 \* 10/2007 Yu ..... 297/214  
2012/0242119 A1 \* 9/2012 Bigolin ..... 297/195.1  
2014/0028064 A1 \* 1/2014 Truglio ..... 297/214  
2014/0265467 A1 \* 9/2014 Marcel ..... 297/202

**FOREIGN PATENT DOCUMENTS**

JP 2007186075 A \* 7/2007 ..... B62J 1/00  
JP 2011143734 A \* 7/2011 ..... B62J 1/00  
JP 2012162255 A \* 8/2012 ..... B62J 1/00

\* cited by examiner

*Primary Examiner* — Philip S Hyder

*Assistant Examiner* — Darlington Ly

(74) *Attorney, Agent, or Firm* — Dunlap, Bennett & Ludwig  
PLLC

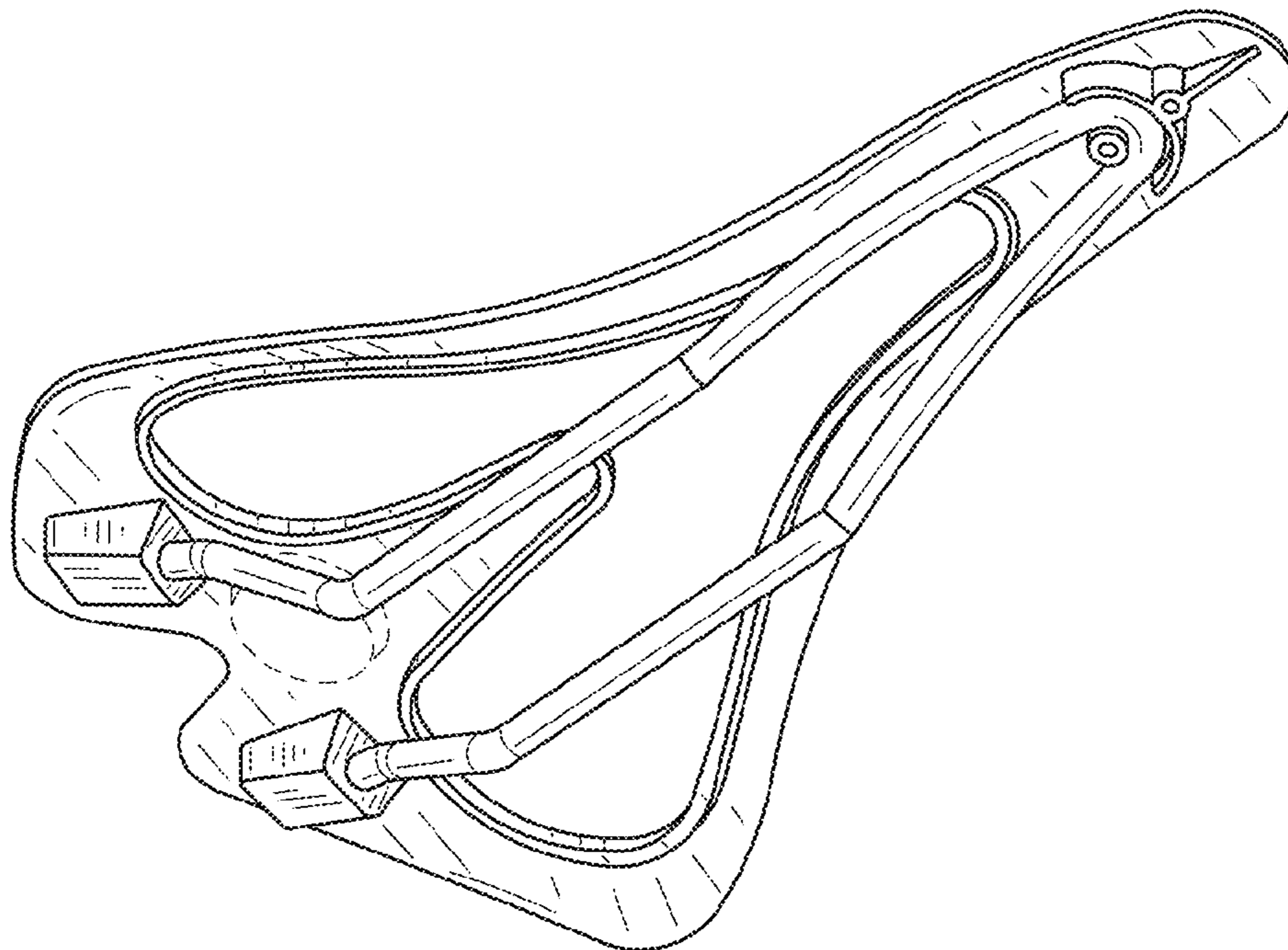
(57) **CLAIM**

The ornamental design for a bicycle seat, as shown and  
described.

**DESCRIPTION**

FIG. 1 is a perspective bottom view of a bicycle seat;  
FIG. 2 is a front elevation view of the bicycle seat;  
FIG. 3 is a rear elevation view of the bicycle seat;  
FIG. 4 is a left side elevation view of the bicycle seat; the right  
side view being a mirror image thereof;  
FIG. 5 is a top plan view of the bicycle seat; and,  
FIG. 6 is a bottom plan view of the bicycle seat.  
The broken line showing the circular aperture is for the pur-  
pose of illustrating a portion of the bicycle seat that forms no  
part of the claimed design.

**1 Claim, 3 Drawing Sheets**



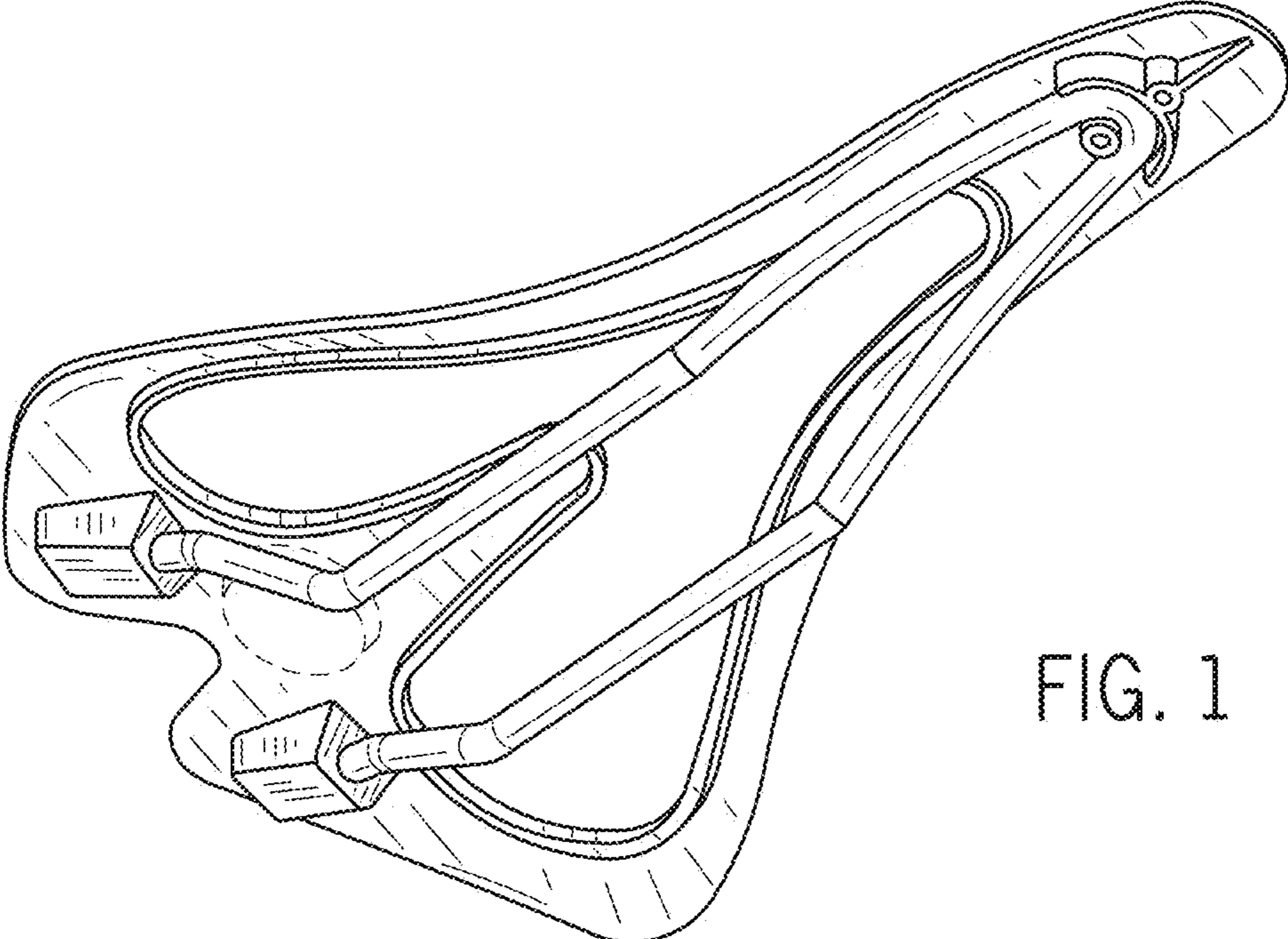


FIG. 1

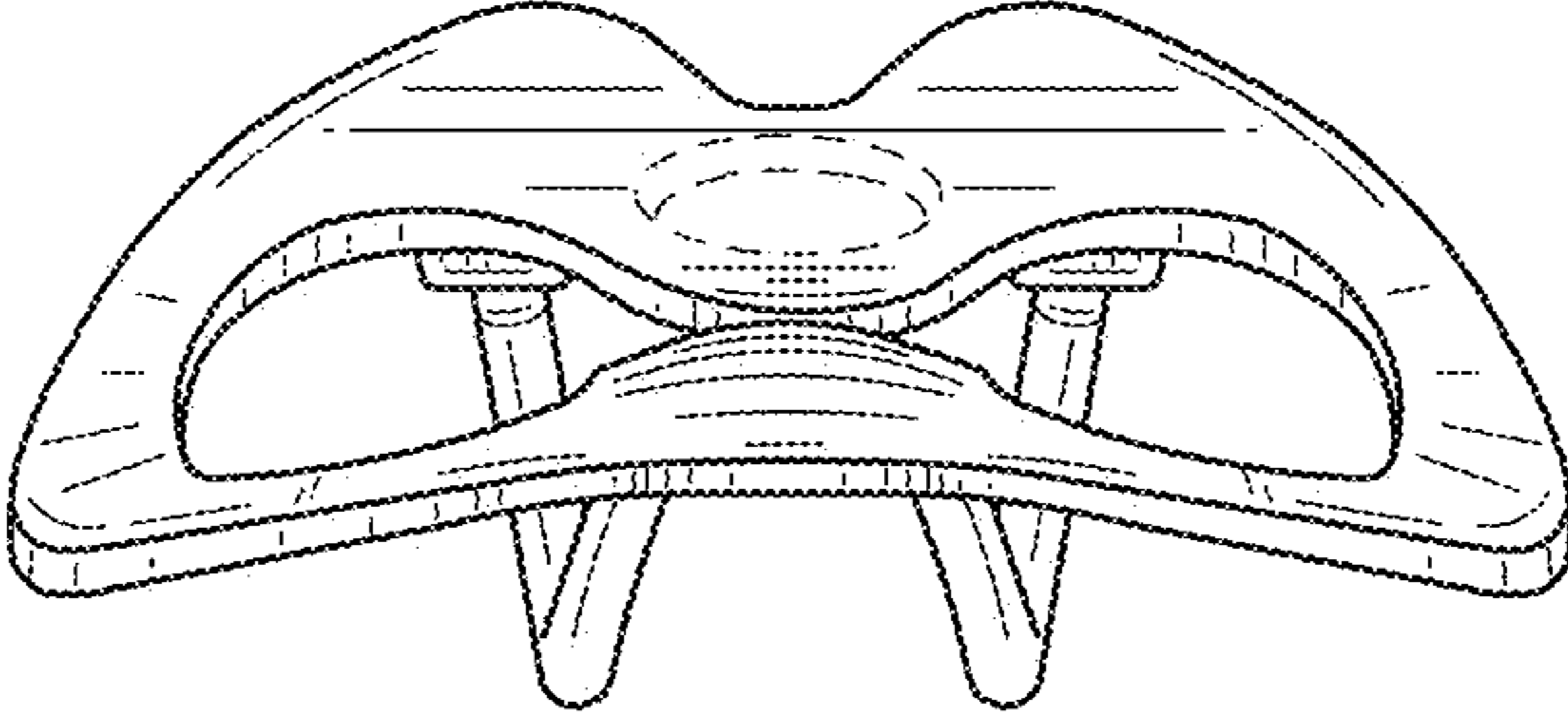


FIG. 2

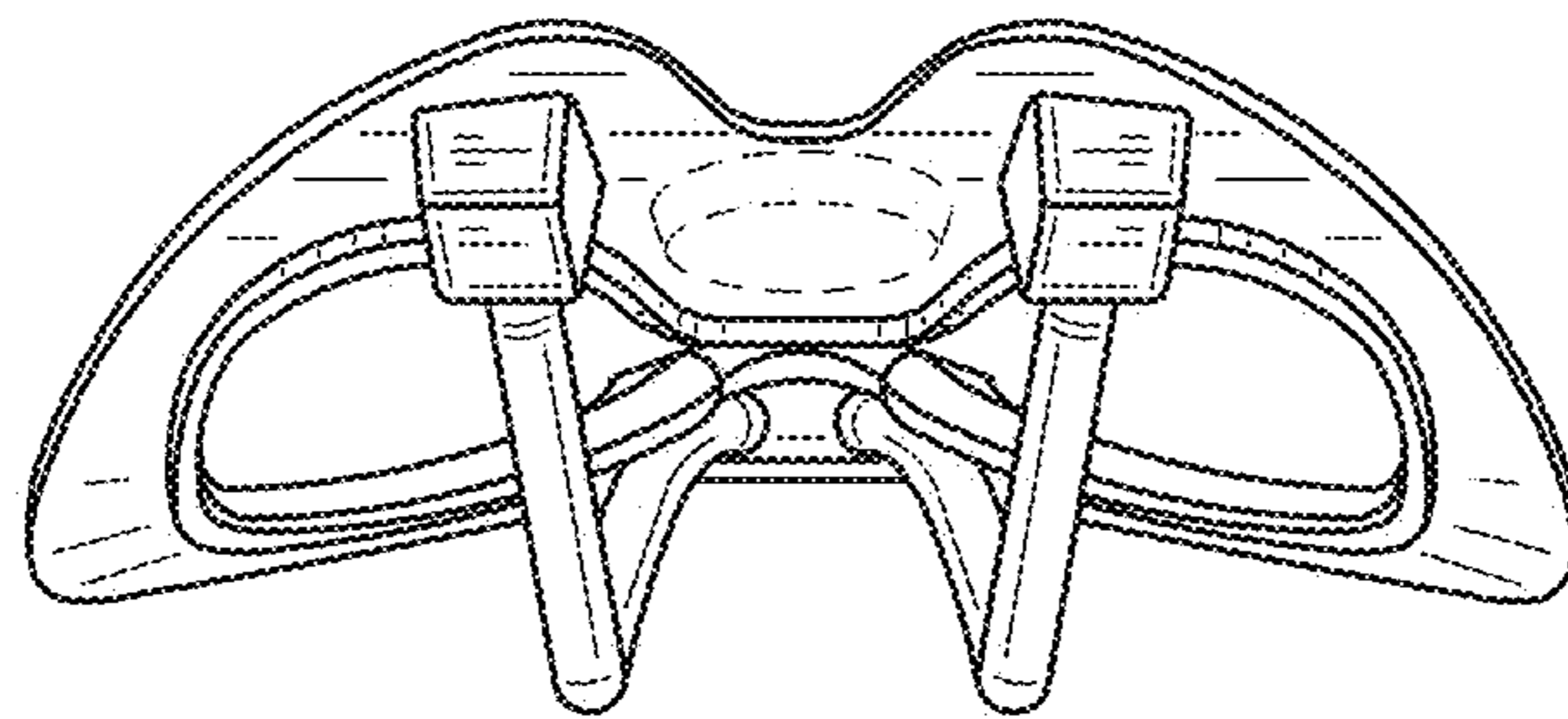


FIG. 3

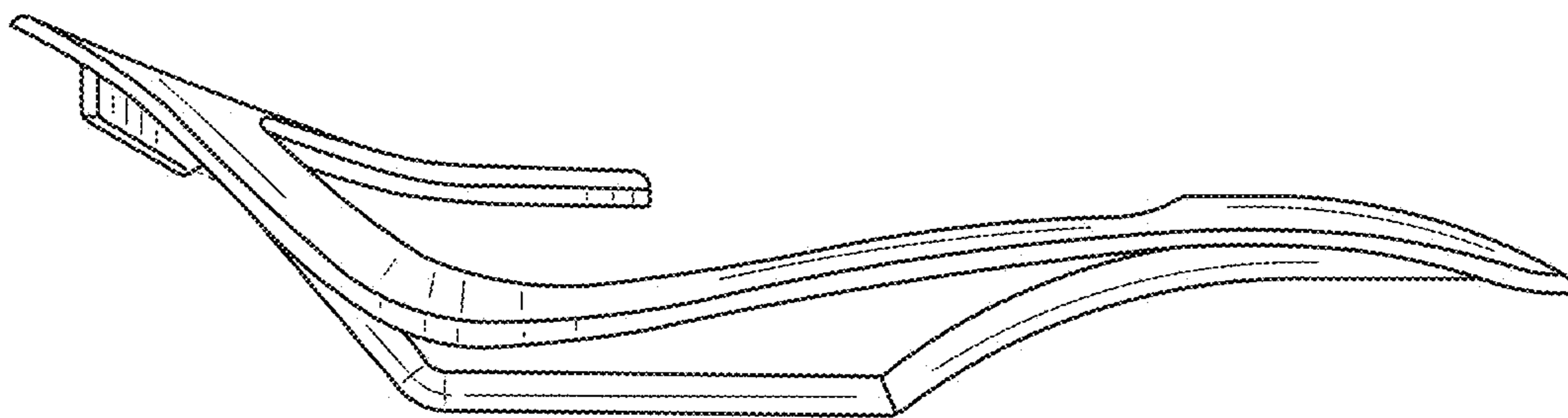


FIG. 4

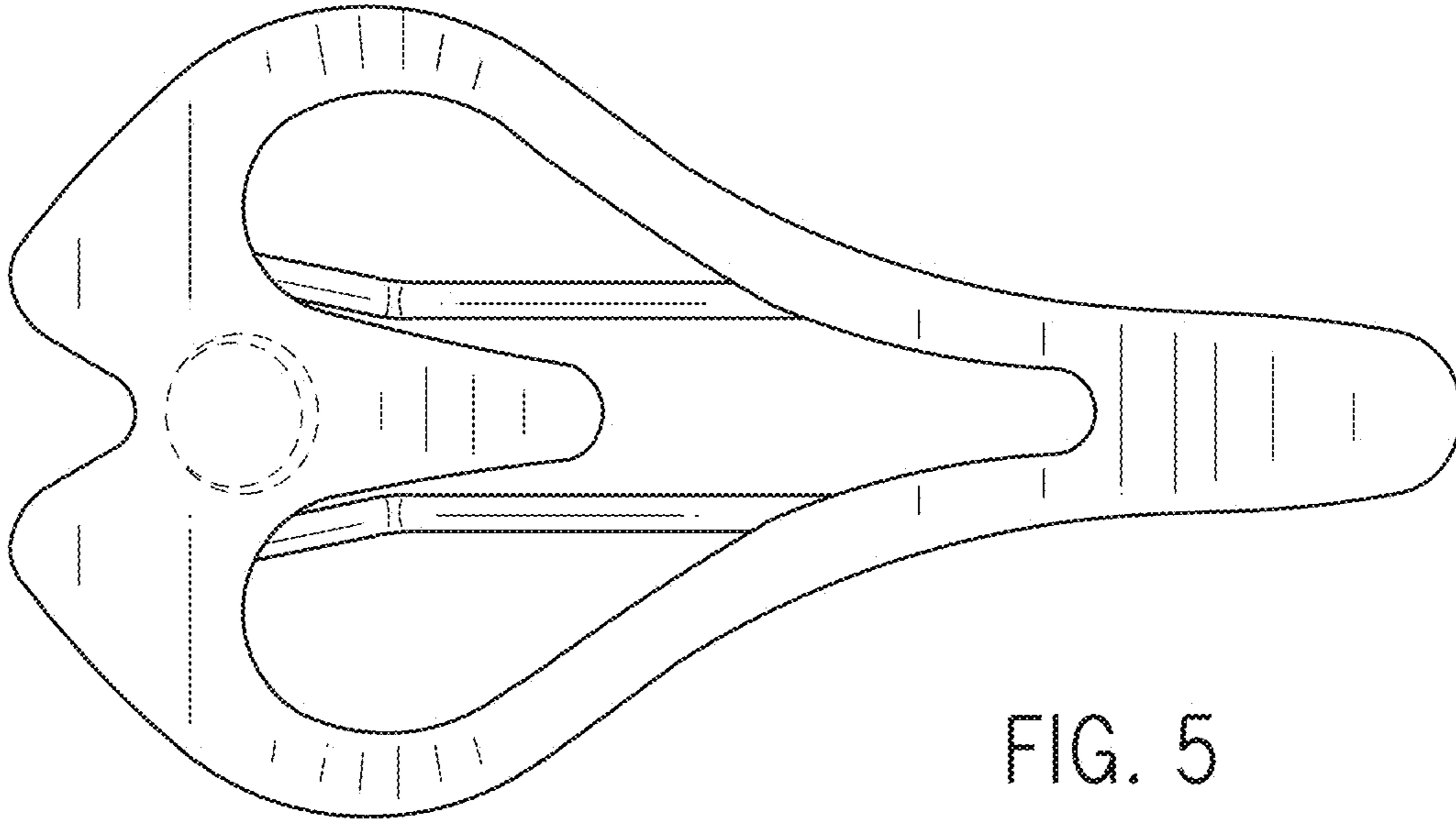


FIG. 5

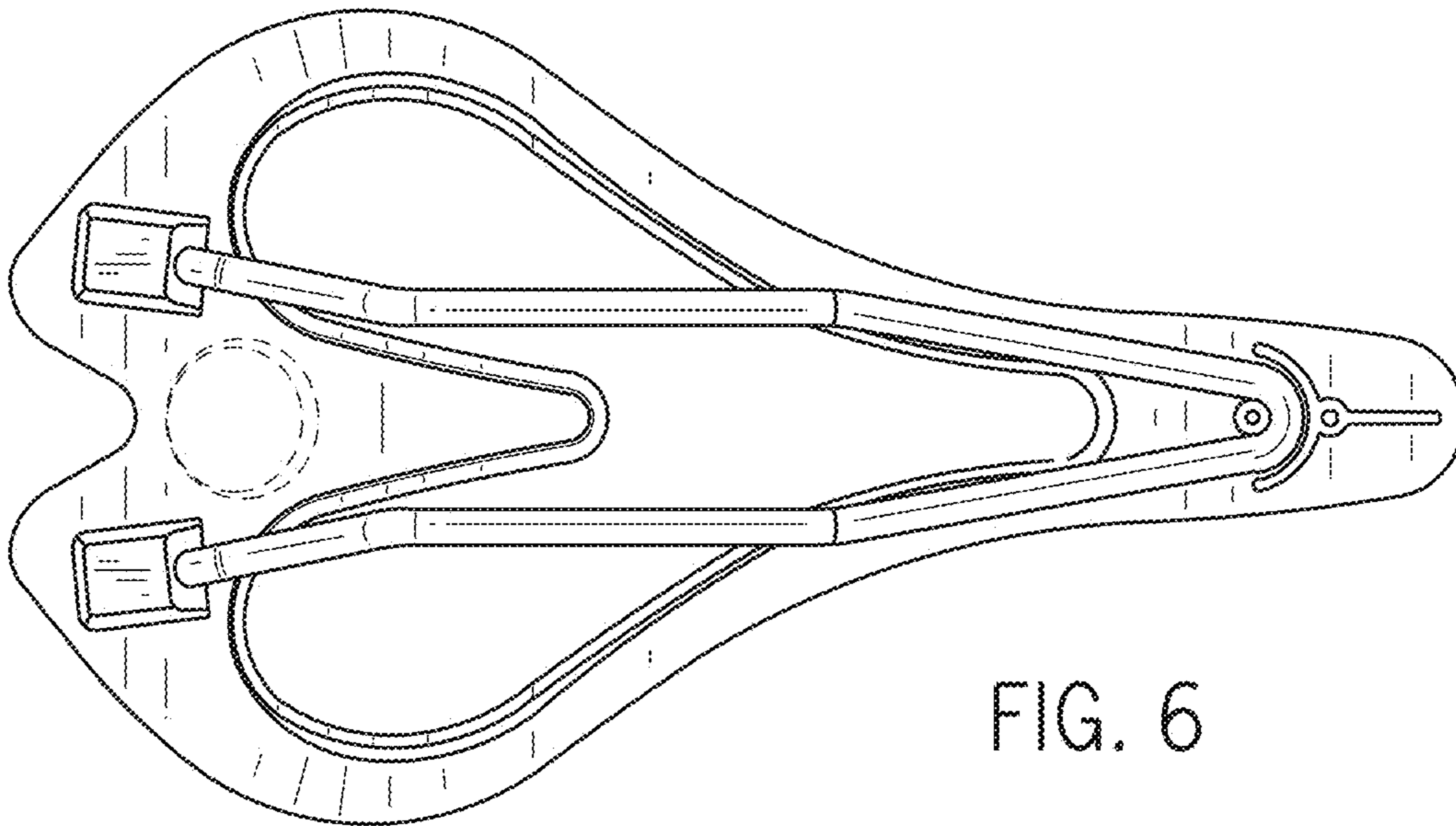


FIG. 6