

US00D760503S

(12) **United States Design Patent**
Arguelles

(10) **Patent No.:** **US D760,503 S**
(45) **Date of Patent:** **** Jul. 5, 2016**

(54) **BELT ORGANIZER**
(71) Applicant: **Ivonne Arguelles**, Miami, FL (US)
(72) Inventor: **Ivonne Arguelles**, Miami, FL (US)
(73) Assignee: **Ivonne Arguelles**, Miami, FL (US)
(**) Term: **14 Years**

D197,146 S * 12/1963 Fisher 383/39
4,195,739 A * 4/1980 Sweet, III B65D 75/323
206/391
D339,979 S * 10/1993 Wehrley D6/315
D361,234 S * 8/1995 Ball D6/520
D377,123 S * 1/1997 Hutchens D6/323
D395,555 S * 6/1998 Ursitti D34/29
D536,564 S * 2/2007 McGrath D6/570
D540,583 S * 4/2007 Greiner D6/514
8,020,712 B2 * 9/2011 Kopp A42B 1/002
211/118
D666,896 S * 9/2012 Pinholster, Jr. D8/356
RE44,481 E * 9/2013 Murphy 223/85

(21) Appl. No.: **29/503,527**

(22) Filed: **Sep. 26, 2014**

(51) **LOC (10) Cl.** **06-08**

(52) **U.S. Cl.**
USPC **D6/315**

(58) **Field of Classification Search**
USPC D6/315-328; 223/85-98; 211/10, 13.1,
211/85.2, 86.01, 87.01, 113; D8/356, 367,
D8/372
CPC A47G 25/32; A47G 25/28; A47G 25/743;
A47G 25/26; A47G 25/30; A47G 25/1442;
A47G 25/06; A47G 25/38; A47G 25/50;
A47G 25/06; A47G 25/74; A47G 25/1414;
A47G 25/34; A47G 29/08; A47G 29/00;
A47F 5/0006; A47F 7/19; A47F 7/12
See application file for complete search history.

(56) **References Cited**

U.S. PATENT DOCUMENTS

1,172,937 A * 2/1916 Butcher A47G 25/743
211/113
D195,751 S * 7/1963 Kennedy et al. D8/372

* cited by examiner

Primary Examiner — Derrick Holland

Assistant Examiner — Lauren Calve

(74) *Attorney, Agent, or Firm* — Christian Sanchelima;
Jesus Sanchelima

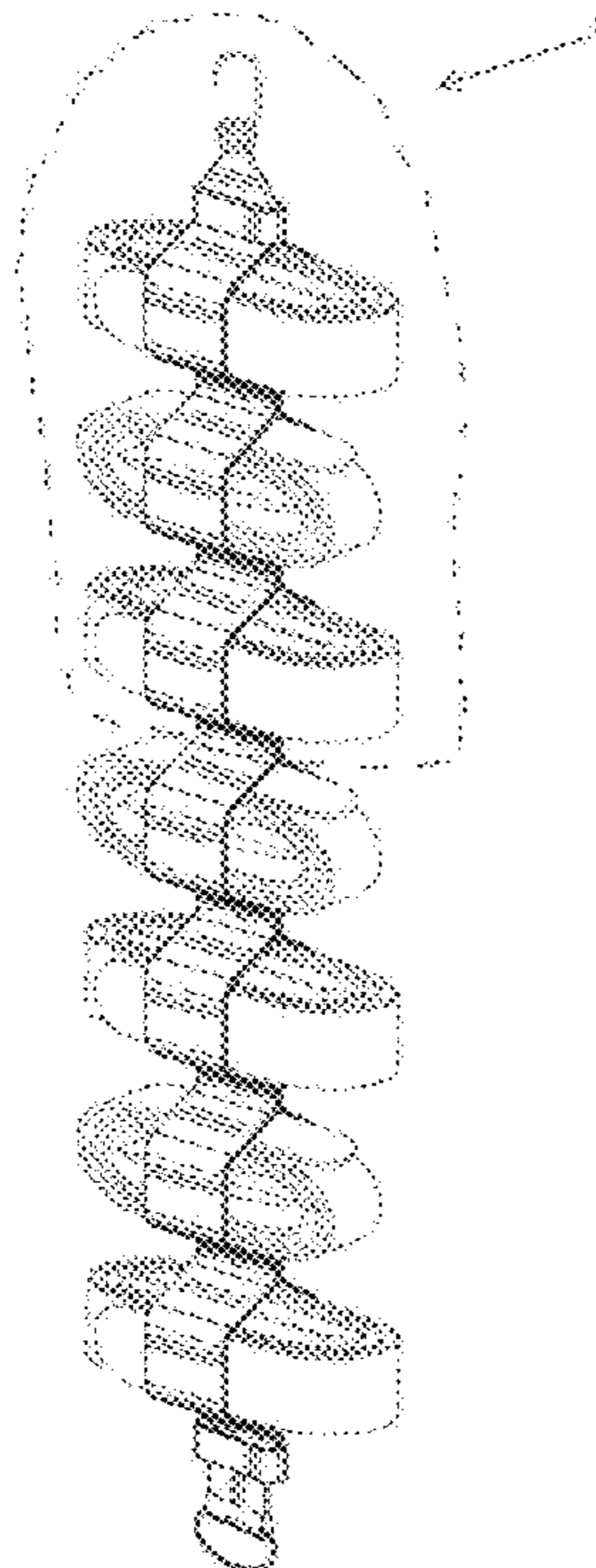
(57) **CLAIM**

The ornamental design for a belt organizer, as shown and described.

DESCRIPTION

FIG. 1 is an isometric view of a belt organizer showing my new design;
FIG. 2 is a partial enlarged isometric view for a belt organizer according to the broken lines shown in FIG. 1; and,
FIG. 3 is a front elevational view of the belt organizer shown in an alternate configuration.
The broken lines shown represent unclaimed subject matter and form no part of the claimed design.

1 Claim, 3 Drawing Sheets



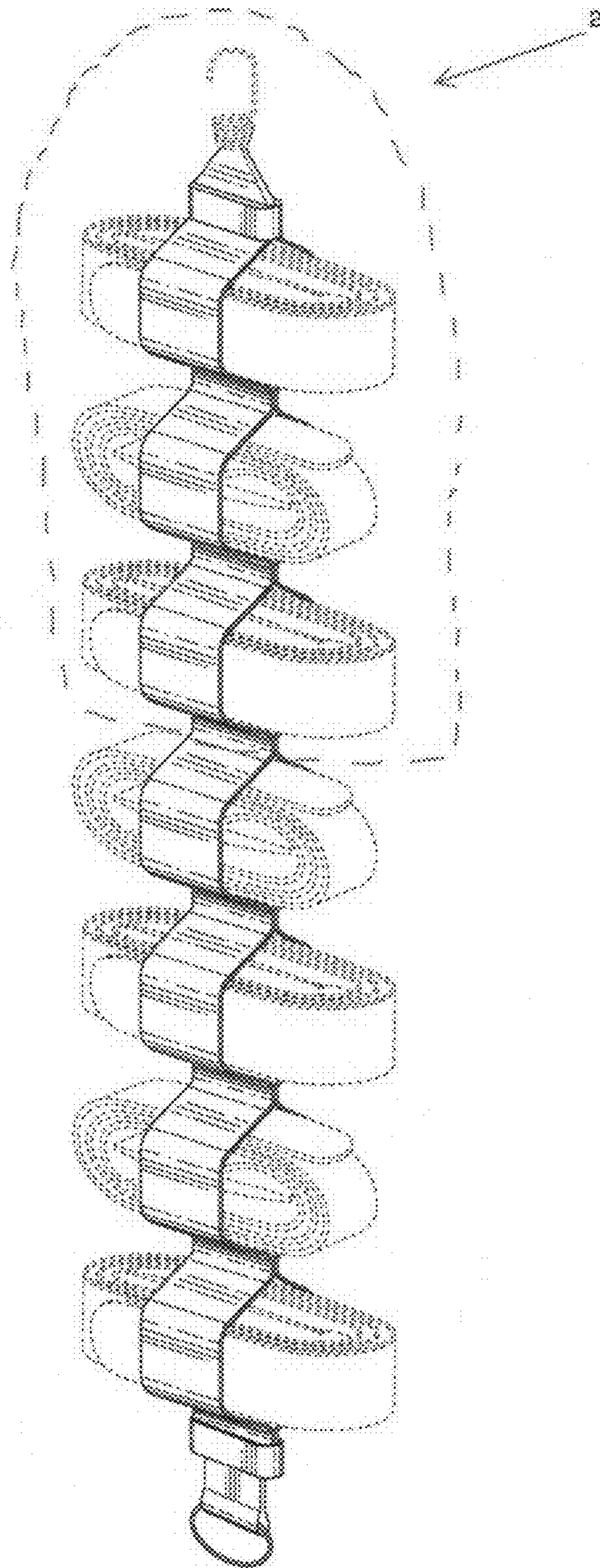


FIG. 1

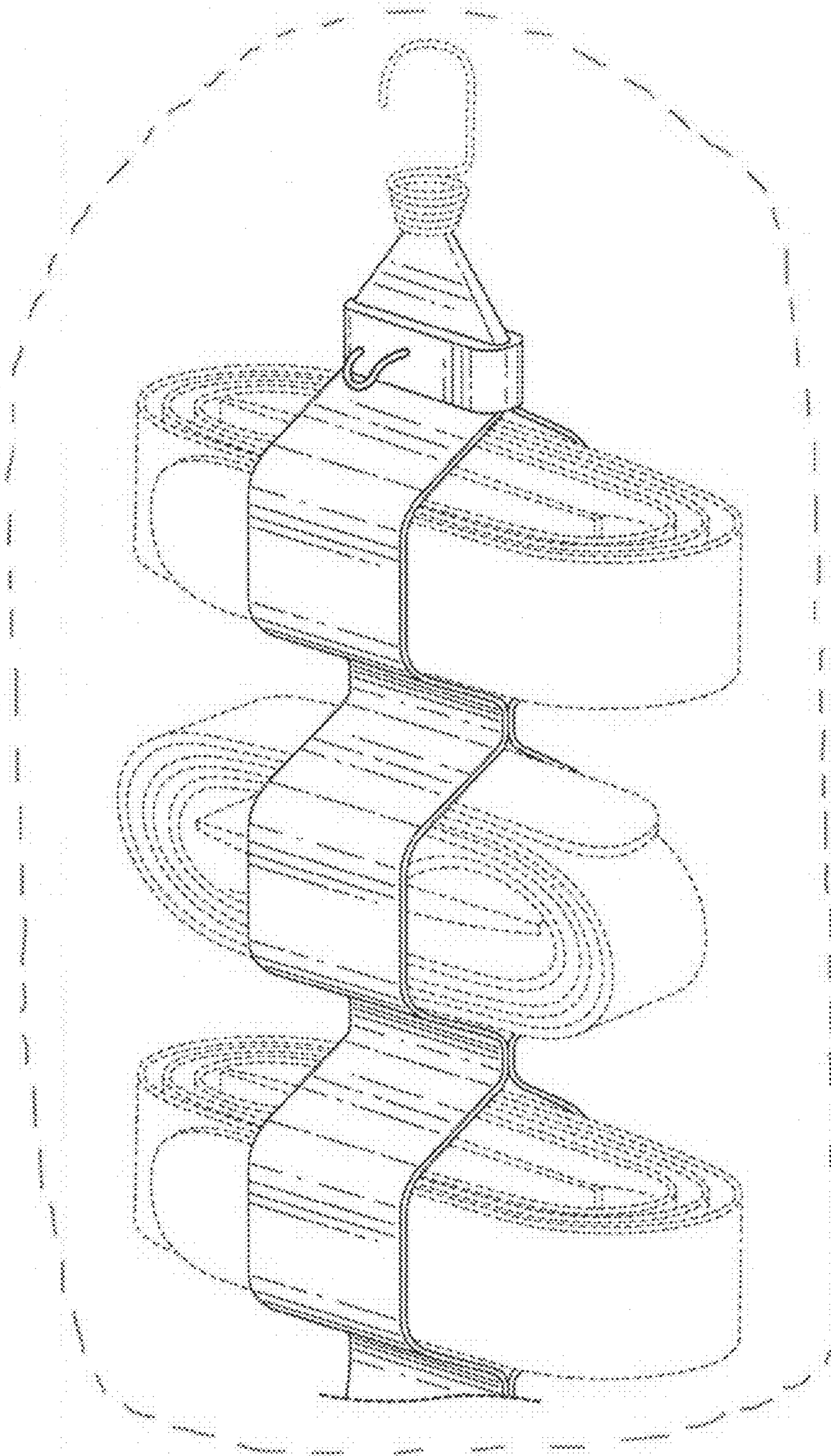


FIG. 2

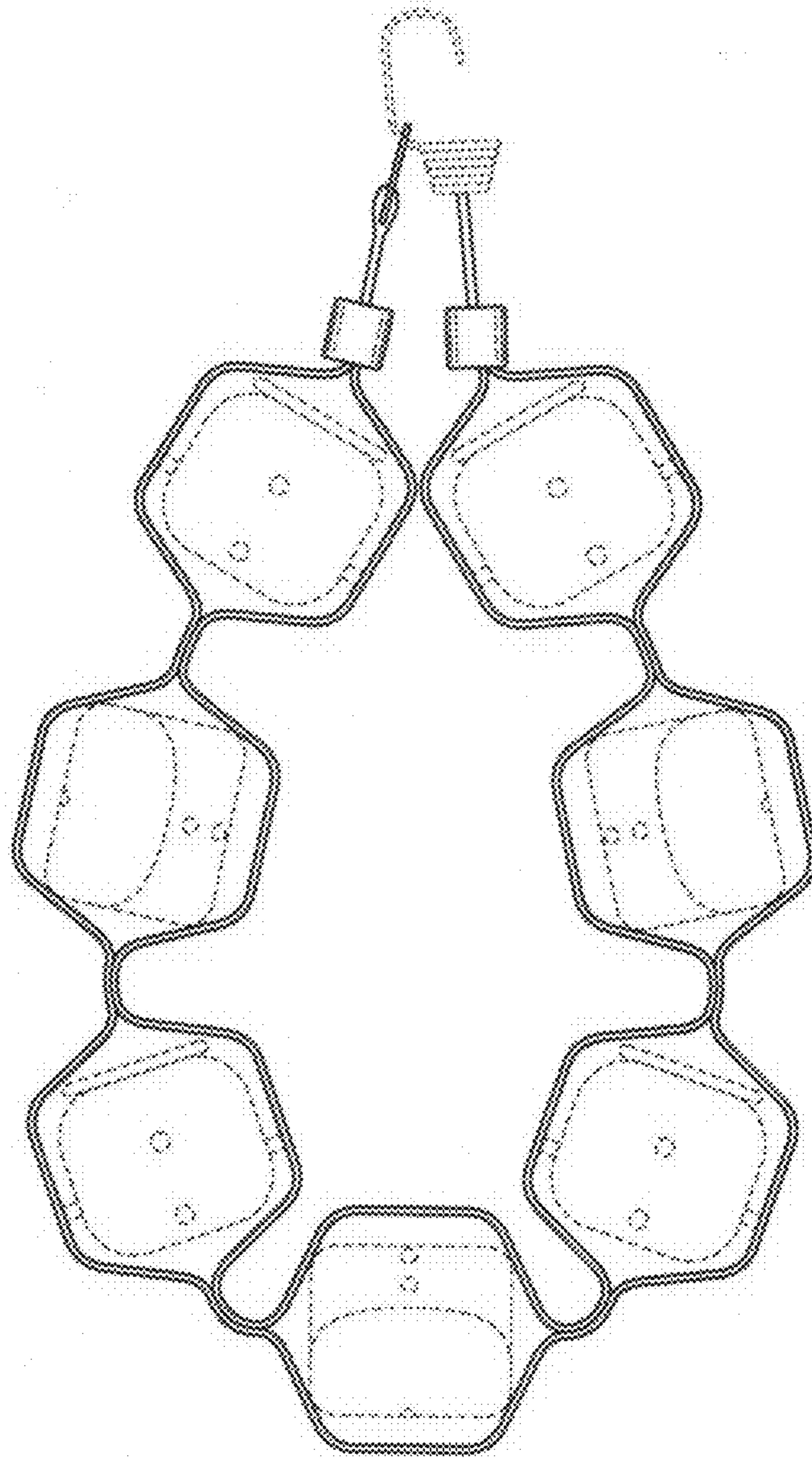


FIG. 3