

US00D760502S

(12) **United States Design Patent**
Oh et al.

(10) **Patent No.:** **US D760,502 S**
(45) **Date of Patent:** **** Jul. 5, 2016**

(54) **CLEANING TOOL WITH SURFACE PATTERN**

(71) Applicant: **3M INNOVATIVE PROPERTIES COMPANY**, St. Paul, MN (US)

(72) Inventors: **Seungyoub Oh**, Gyeonggi-do (KR);
In-Hwan Lee, Gyeonggi-do (KR)

(73) Assignee: **3M INNOVATIVE PROPERTIES COMPANY**, St. Paul, MN (US)

(**) Term: **14 Years**

(21) Appl. No.: **29/498,096**

(22) Filed: **Jul. 31, 2014**

(51) **LOC (10) Cl.** **05-06**

(52) **U.S. Cl.**
USPC **D5/99; D32/40**

(58) **Field of Classification Search**
USPC D5/5, 7, 8, 29, 46-48, 56-66, 99, 53;
D6/582-584, 588; D25/138; D32/40,
D32/50, 57

CPC D03D 1/00; D03D 25/00; D04H 1/00;
D21H 27/02; B44F 1/00; B44F 1/08; B44F
3/00; B44F 5/00; B44F 9/00; B44F 9/02;
B44F 11/06; B32B 3/266; B32B 5/024

See application file for complete search history.

(56) **References Cited**

U.S. PATENT DOCUMENTS

- 2,361,682 A * 10/1944 Grabec B44C 1/16
156/209
- 3,081,515 A * 3/1963 Griswold D04H 1/70
162/114
- D227,004 S * 5/1973 Roy D9/427
- 3,965,519 A * 6/1976 Hermann A47L 13/17
15/104.93
- 4,360,021 A * 11/1982 Stima A61F 13/5323
428/116
- D281,752 S * 12/1985 Dickens D6/582
- 4,810,553 A * 3/1989 Lombardozi E04B 1/80
428/116

- D327,543 S * 6/1992 Gardner D25/138
- D365,956 S * 1/1996 Bonaddio 5/736
- D372,158 S * 7/1996 Bonaddio 5/636
- D392,466 S * 3/1998 Kendall D5/53
- D395,780 S * 7/1998 Denney D6/596
- 5,817,394 A * 10/1998 Alikhan A61F 13/512
428/137
- D414,976 S * 10/1999 Su D6/596
- D416,476 S * 11/1999 Engberg D8/402
- D429,861 S * 8/2000 Denney D32/40
- D435,710 S * 12/2000 Denney D32/40
- 6,329,040 B1 * 12/2001 Oshima B44F 3/00
428/156
- D469,726 S * 2/2003 Kraines D12/203

(Continued)

FOREIGN PATENT DOCUMENTS

- KR 10-1257620 4/2013
- KR 10-1272212 6/2013

(Continued)

Primary Examiner — Karen S Acker

(74) *Attorney, Agent, or Firm* — Irina Hass

(57) **CLAIM**

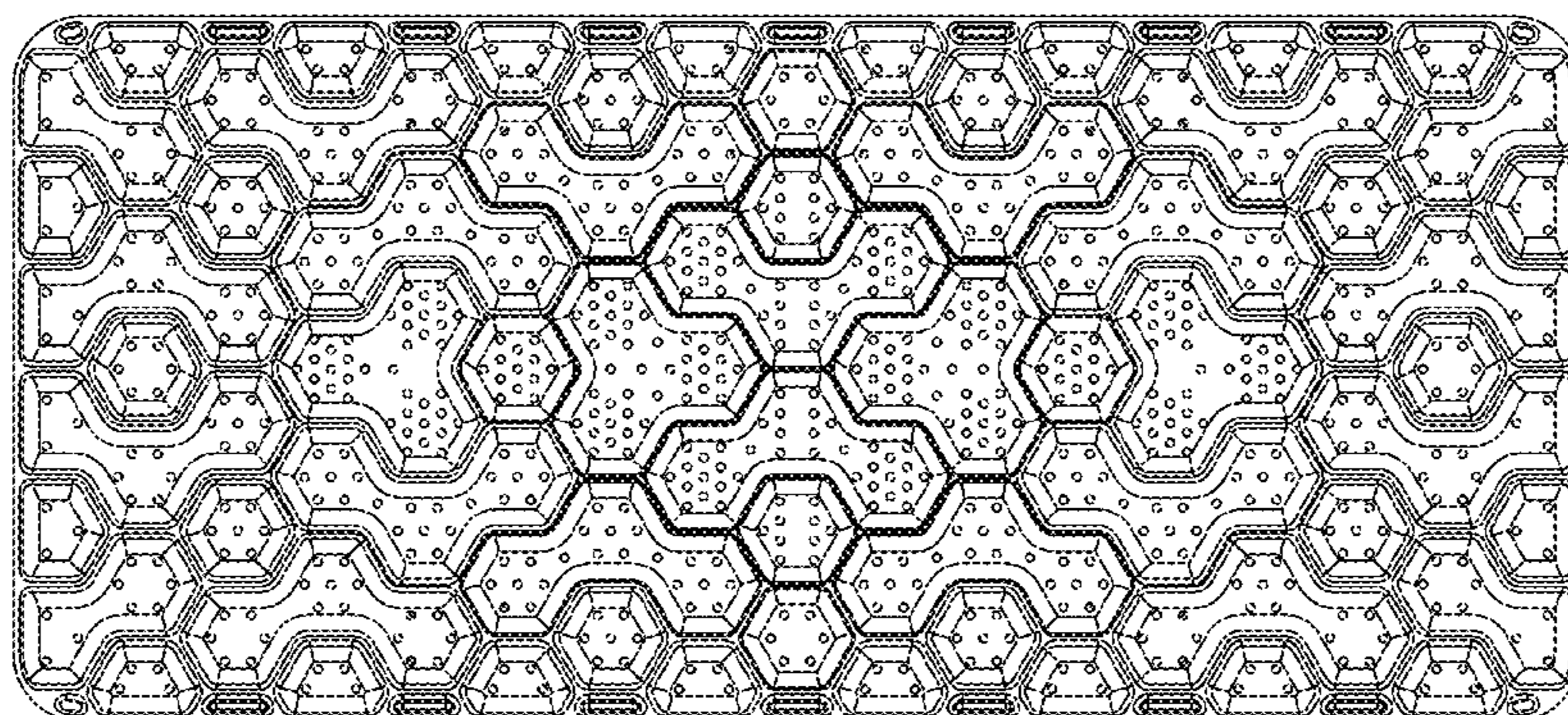
The ornamental design for a cleaning tool with surface pattern, as shown and described.

DESCRIPTION

FIG. 1 is a perspective view showing the new design for a cleaning tool with surface pattern;
 FIG. 2 is a left side view thereof, a right side view being a mirror image thereof;
 FIG. 3 is a top view thereof;
 FIG. 4 is a bottom view thereof;
 FIG. 5 is a front view thereof;
 FIG. 6 is a rear view thereof; and,
 FIG. 7 is a perspective view thereof showing the new design with a handle.

The broken lines in FIGS. 1-4 and 6-7 depict unclaimed portions of the cleaning tool with surface pattern and form no part of the claim.

1 Claim, 7 Drawing Sheets



(56)

References Cited

U.S. PATENT DOCUMENTS

D555,306 S * 11/2007 Khalil D32/31
 D561,986 S * 2/2008 Horne D2/953
 D579,165 S * 10/2008 Handy D32/40
 D582,618 S * 12/2008 Caruso D32/40
 D609,922 S * 2/2010 Bridges D5/53
 D629,636 S * 12/2010 Wright D6/582
 D655,876 S * 3/2012 Lee D32/50
 D685,560 S * 7/2013 Lee D32/57
 D692,622 S * 10/2013 MacKenney D30/119
 D692,674 S * 11/2013 Clerici D5/63
 D702,047 S * 4/2014 Rhodes, III D5/58
 D702,446 S * 4/2014 Boyle D5/61
 D712,126 S * 9/2014 Kuerbis D2/951

D712,599 S * 9/2014 Batista D29/116.2
 D721,686 S * 1/2015 Jacob D14/250
 2008/0233350 A1* 9/2008 Huang B32B 3/266
 428/137
 2013/0303041 A1* 11/2013 Kim A43B 1/0009
 442/1
 2014/0110725 A1* 4/2014 Lee H01L 51/0097
 257/88
 2015/0328920 A1* 11/2015 Brandrup-Thomas .. B44C 3/082
 428/124

FOREIGN PATENT DOCUMENTS

KR 10-1304132 9/2013
 KR 10-1306878 9/2013

* cited by examiner

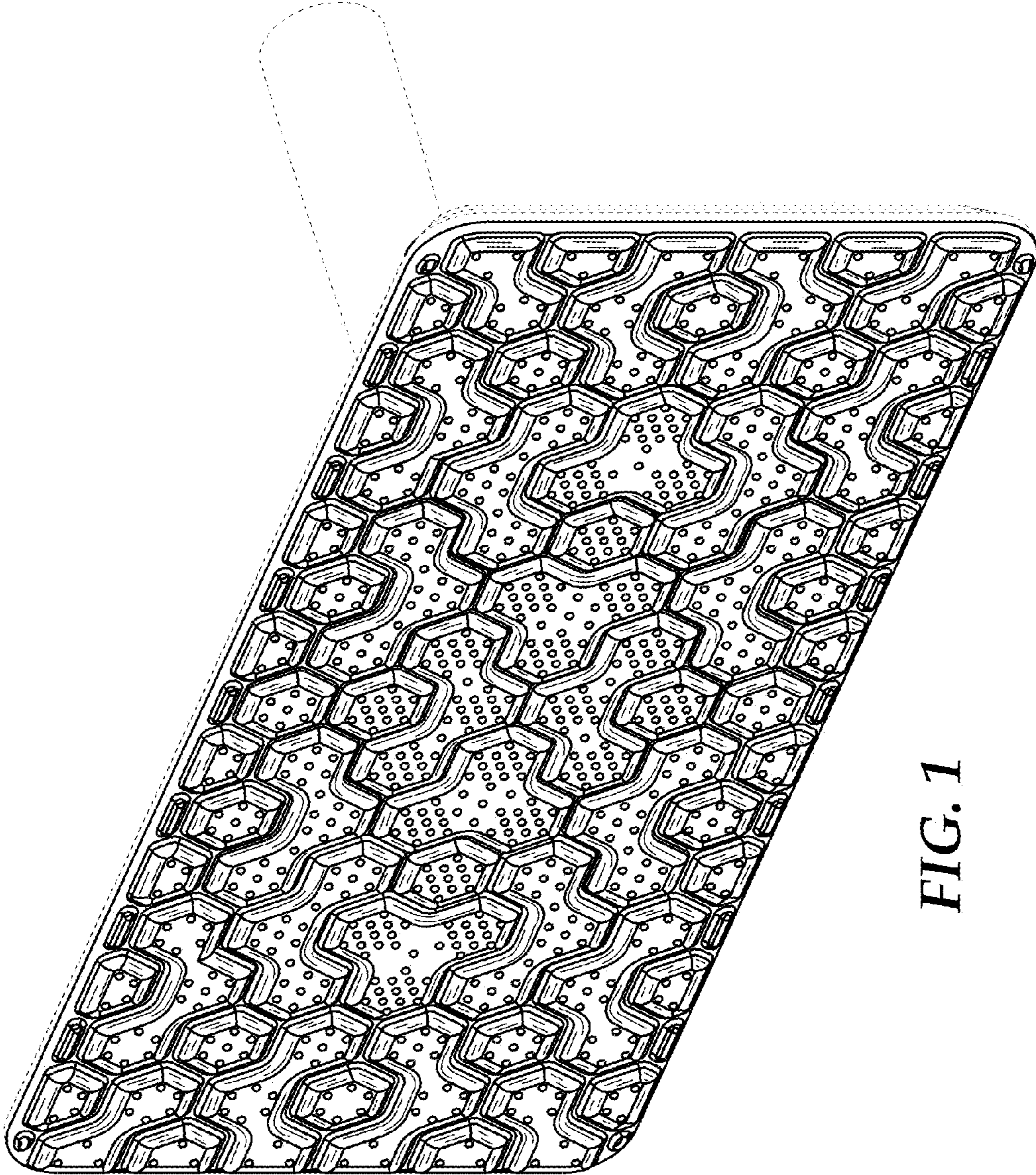


FIG. 1

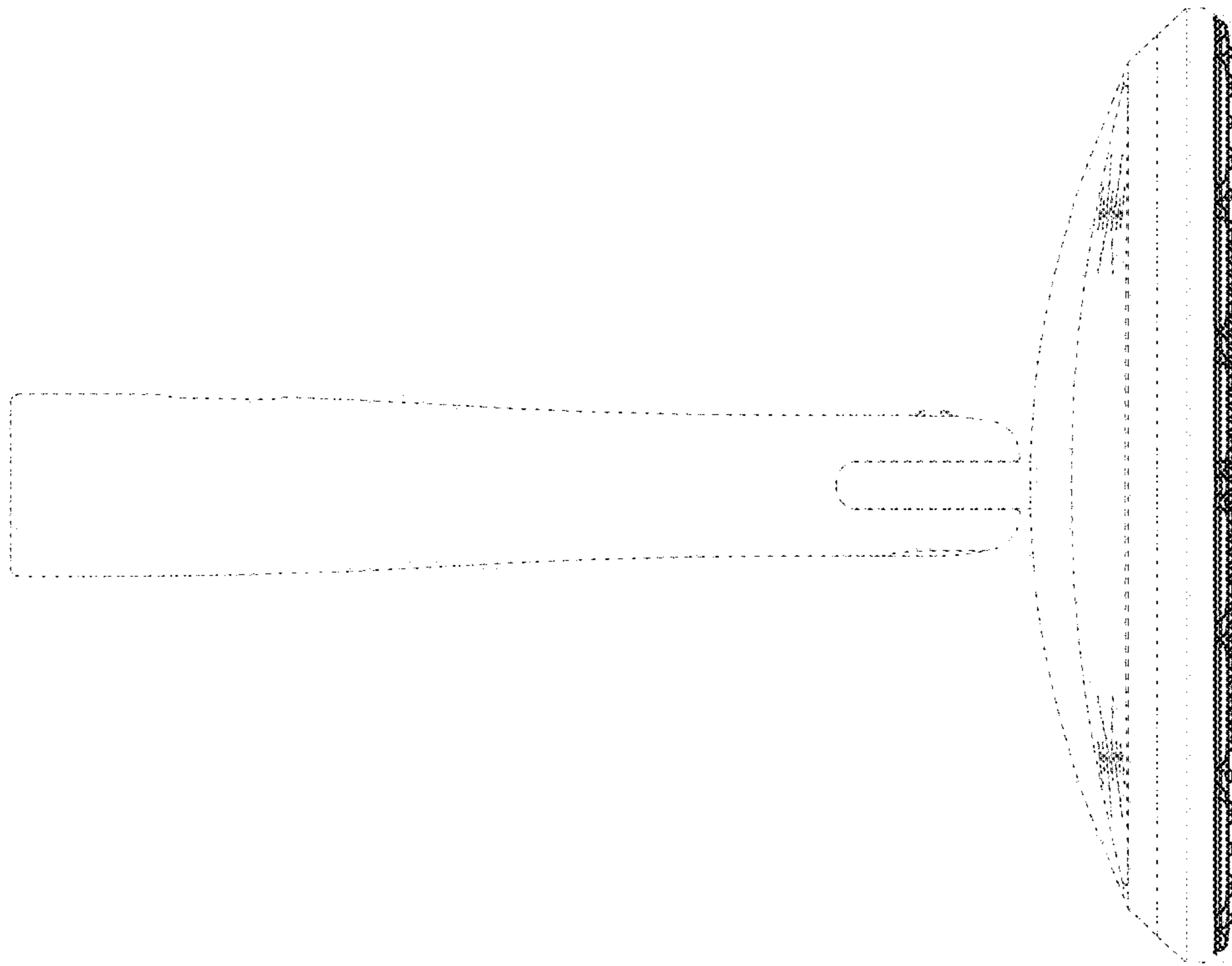


FIG. 2

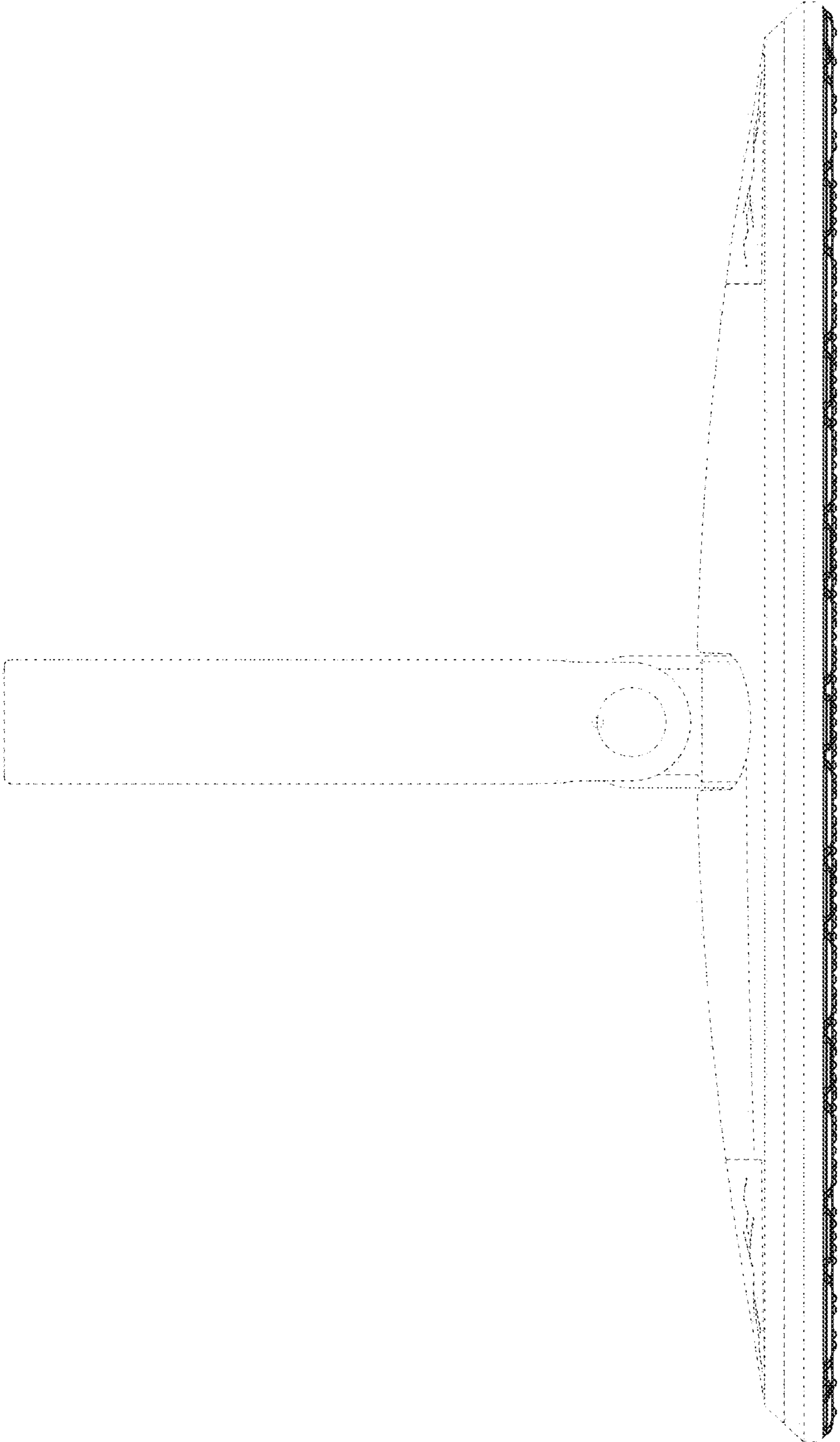


FIG. 3

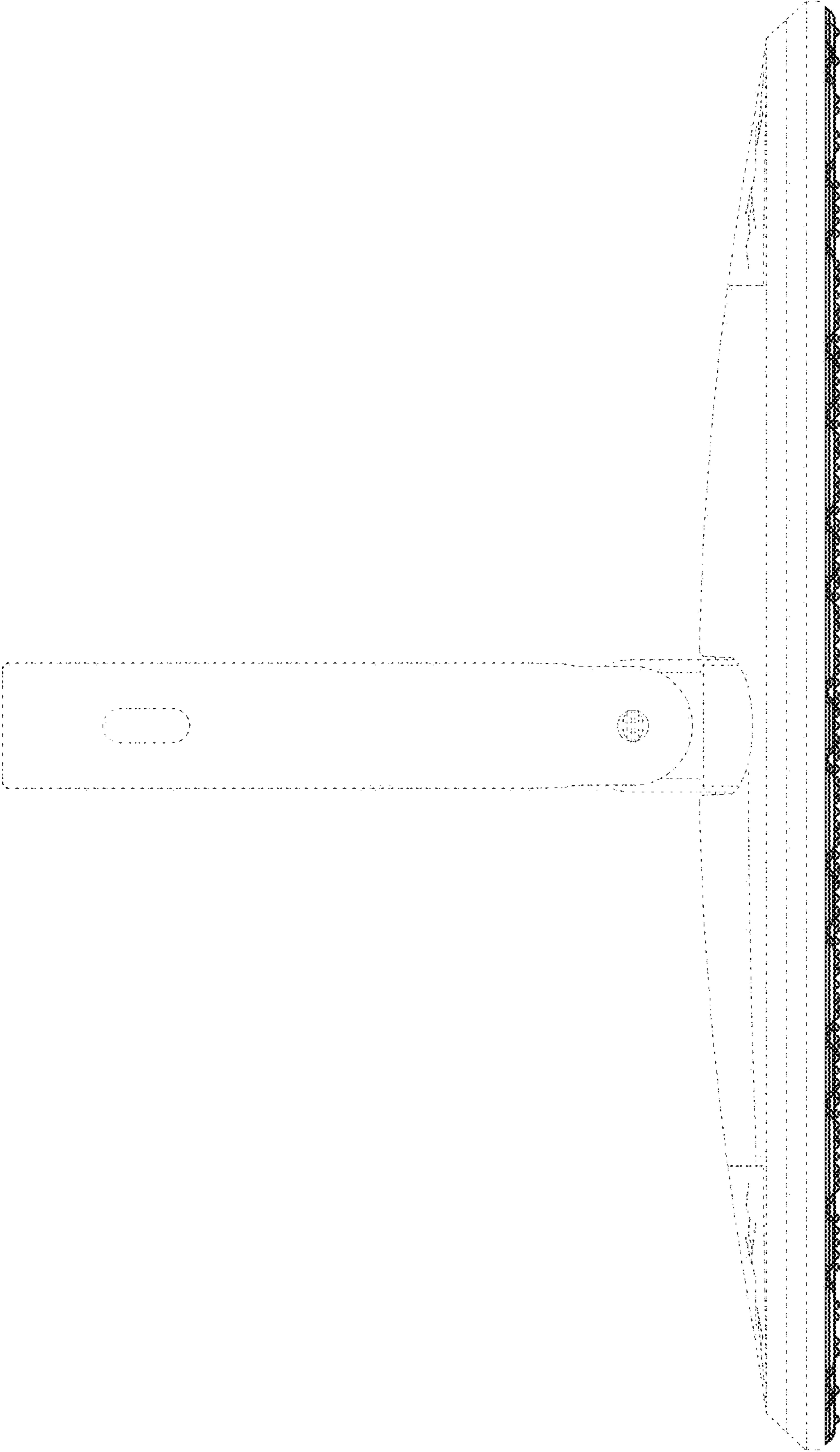


FIG. 4

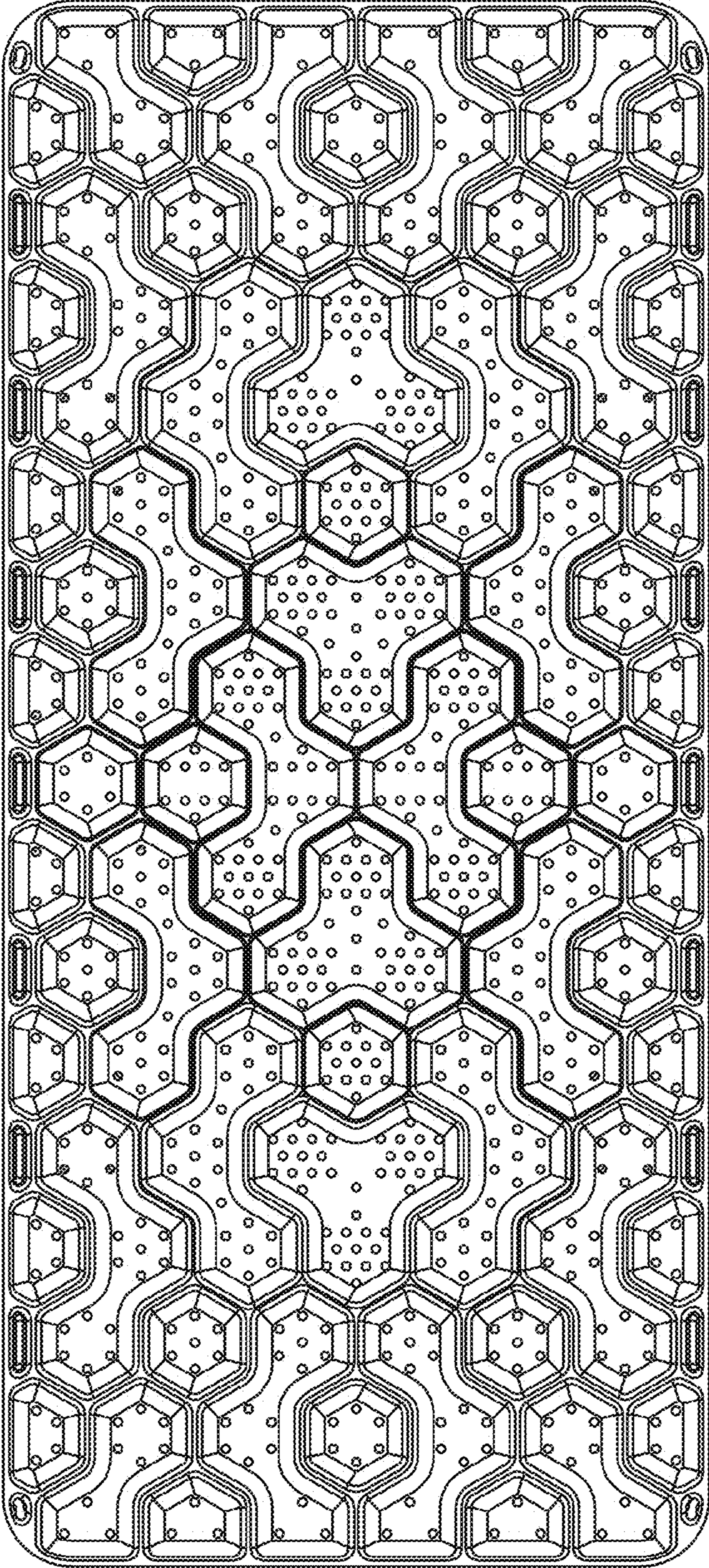


FIG. 5

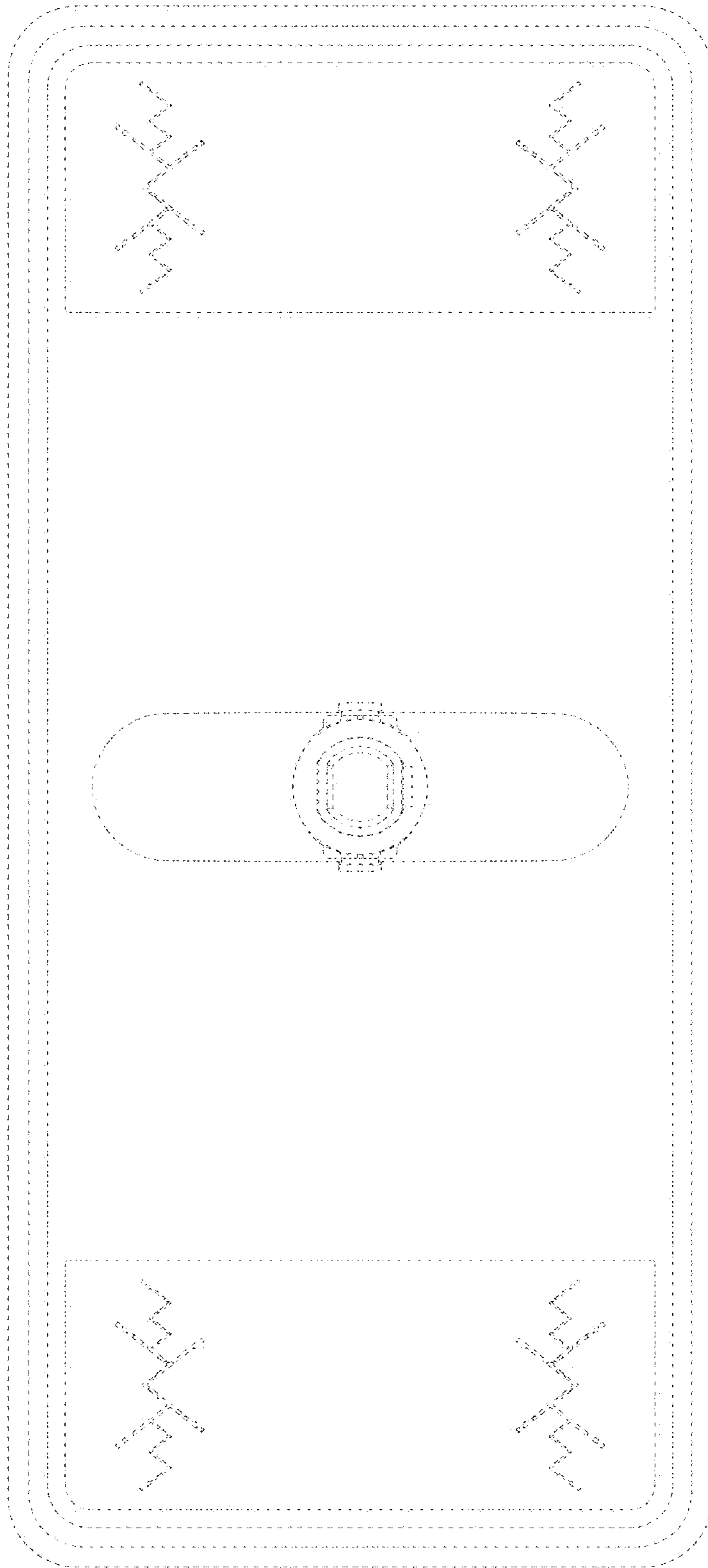


FIG. 6

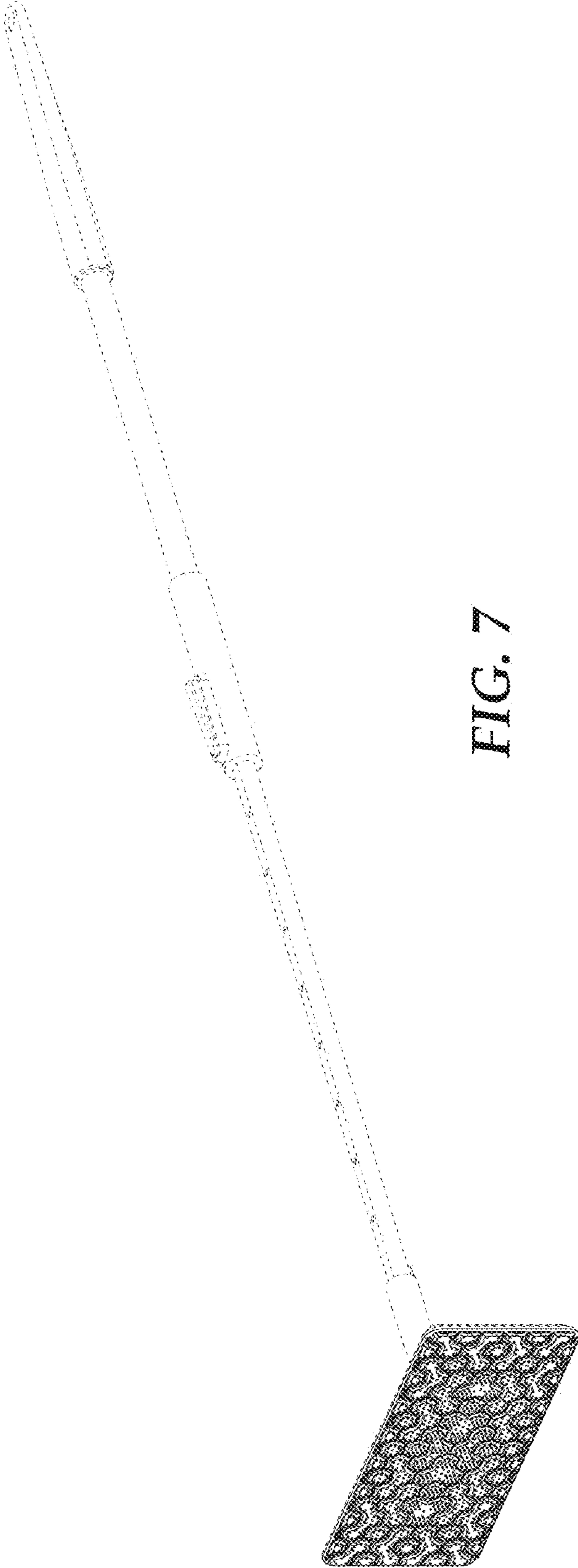


FIG. 7