



US00D760498S

(12) **United States Design Patent**
Kim et al.

(10) **Patent No.:** **US D760,498 S**
(45) **Date of Patent:** **** Jul. 5, 2016**

(54) **FACIAL CLEANSING APPARATUS**

(56) **References Cited**

(71) Applicant: **Panasonic Intellectual Property Management Co., Ltd.**, Osaka-shi, Osaka (JP)

(72) Inventors: **Chiyong Kim**, Chiba (JP); **Kouji Oomaki**, Tokyo (JP)

(73) Assignee: **PANASONIC INTELLECTUAL PROPERTY MANAGEMENT CO., LTD.**, Osaka (JP)

(**) Term: **15 Years**

(21) Appl. No.: **29/529,203**

(22) Filed: **Jun. 4, 2015**

(51) **LOC (10) Cl.** **04-02**

(52) **U.S. Cl.**
USPC **D4/102; D4/127**

(58) **Field of Classification Search**
USPC D4/100, 102, 127-135, 136, 138, 199; D7/393; D8/47, 75, 82, 83, 107, 300, D8/307-313; D9/723-729; D19/100, 108, D19/115, 125; D24/200, 211, 214
CPC A46B 5/00; A46B 5/02; A46B 5/021; A46B 9/00; A46B 9/02; A46B 9/021; A46B 9/023; A46B 9/025; A46B 9/026; A46B 9/028; A46B 11/00; A46B 11/0006; A46B 11/001; A46B 13/00; A46B 13/001; A46B 13/02; A46B 13/023; A46B 15/0002; A46B 2200/10; A46B 2200/102; A46B 2200/1033; A46B 2200/104; A46B 2200/1046; A46B 2200/30; A46B 2200/3006; A46B 2200/3013; A46B 2200/3033; A46B 2200/3093; A46B 5/0095; A46B 7/00; A46B 7/04; A46B 7/06; A46B 7/08; A46B 7/042; A46B 13/008; A46B 15/0008; A46B 15/0022; A61H 7/00; A61H 7/04; A61H 7/005; A61H 2205/022
See application file for complete search history.

U.S. PATENT DOCUMENTS

D245,883	S	*	9/1977	Tsuji	D4/102
D323,034	S	*	1/1992	Reinstein	D24/200
D377,394	S	*	1/1997	Tillman	D24/215
D612,510	S	*	3/2010	Byle	D24/210
D612,614	S	*	3/2010	Maxwell	D4/114
D646,487	S	*	10/2011	Leppla	D4/102

(Continued)

FOREIGN PATENT DOCUMENTS

CN	301949904	S	6/2012
CN	302490869	S	7/2013
CN	302711278	S	1/2014
CN	302731771	S	2/2014
CN	302859302	S	6/2014

OTHER PUBLICATIONS

Panasonic, Micro-Foaming Cleansing Device, as posted at Ulta Beauty [online], posting date not available, [site visited Apr. 28, 2016]. Available from the Internet, <URL: <http://www.ulta.com/ulta/browse/productDetail.jsp?productId=xlsImpprod13851031>>.*

Primary Examiner — Catheri Oliver-Garcia

Assistant Examiner — Rebekah Caruso

(74) *Attorney, Agent, or Firm* — Brinks Gilson & Lione

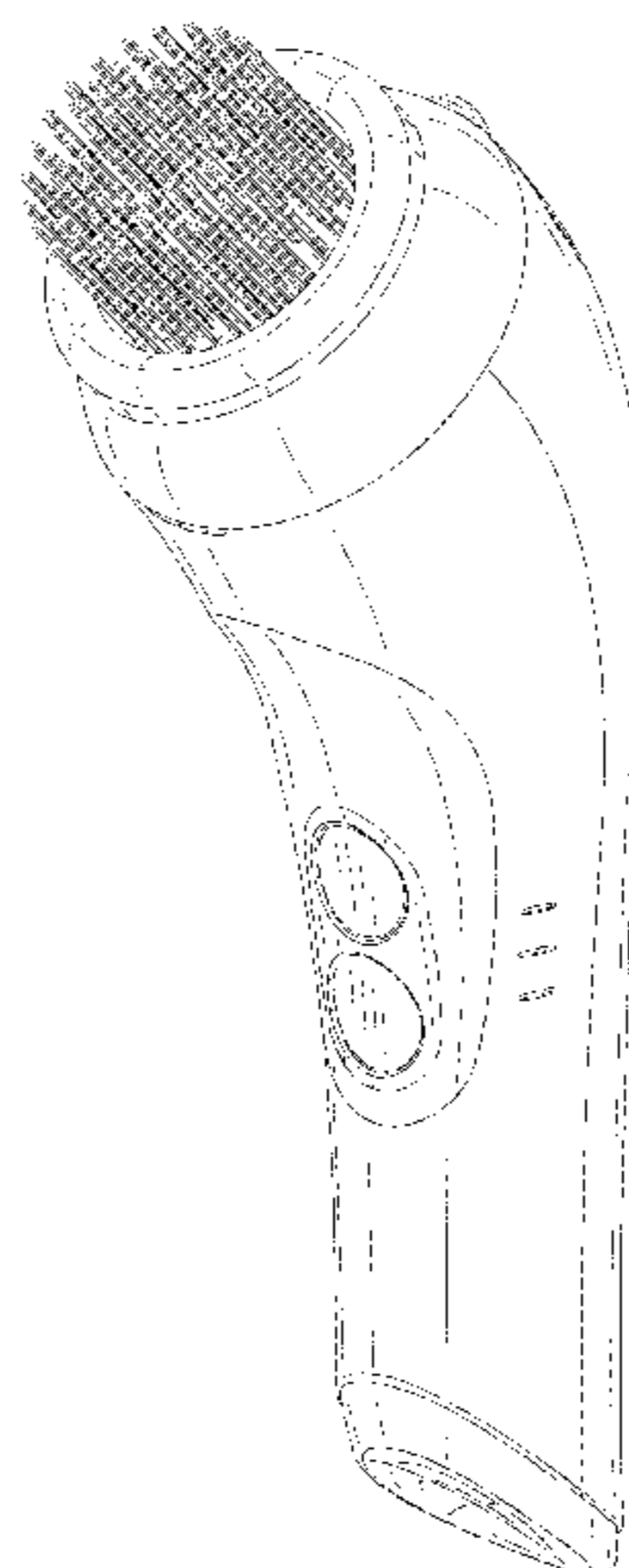
(57) **CLAIM**

We claim the ornamental design for a facial cleansing apparatus, as shown and described.

DESCRIPTION

FIG. 1 is a top and front perspective view of a facial cleansing apparatus of the present invention;
FIG. 2 is a front view thereof;
FIG. 3 is a rear view thereof;
FIG. 4 is a first side view thereof;
FIG. 5 is a second side view thereof;
FIG. 6 is a top view thereof; and,
FIG. 7 is a bottom view thereof.

1 Claim, 7 Drawing Sheets



US D760,498 S

Page 2

(56)

References Cited

U.S. PATENT DOCUMENTS

D652,919 S * 1/2012 Sherwood D24/133
D675,829 S * 2/2013 Jakubow D4/102
D693,932 S * 11/2013 Nichols D24/214

D708,440 S * 7/2014 Owen D4/102
D715,554 S * 10/2014 Hosler D4/102
D749,325 S * 2/2016 Middendorp D4/102
2007/0038206 A1* 2/2007 Altshuler A46B 15/0036
606/20

* cited by examiner

FIG. 1

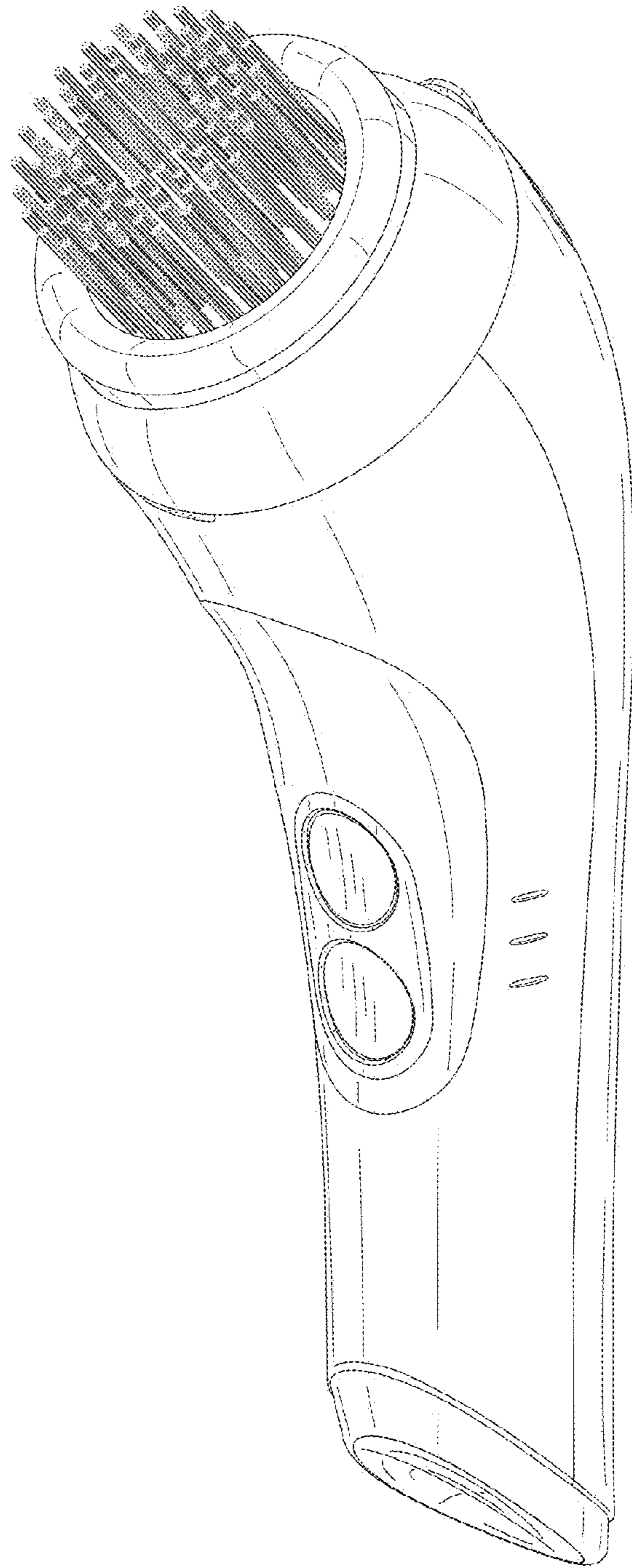


FIG.2

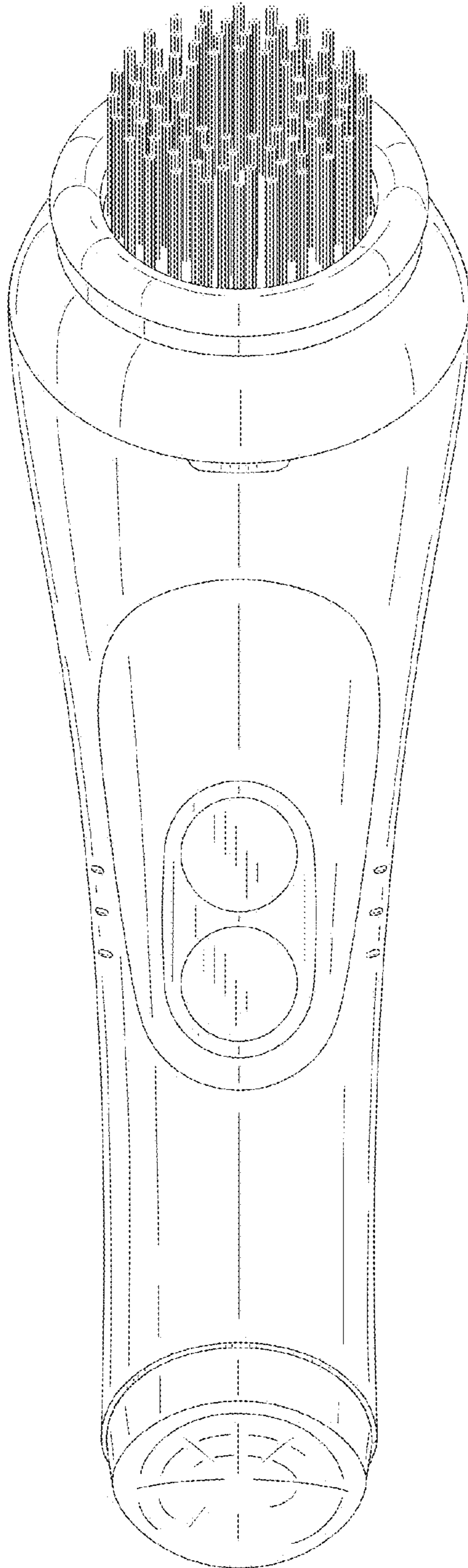


FIG.3

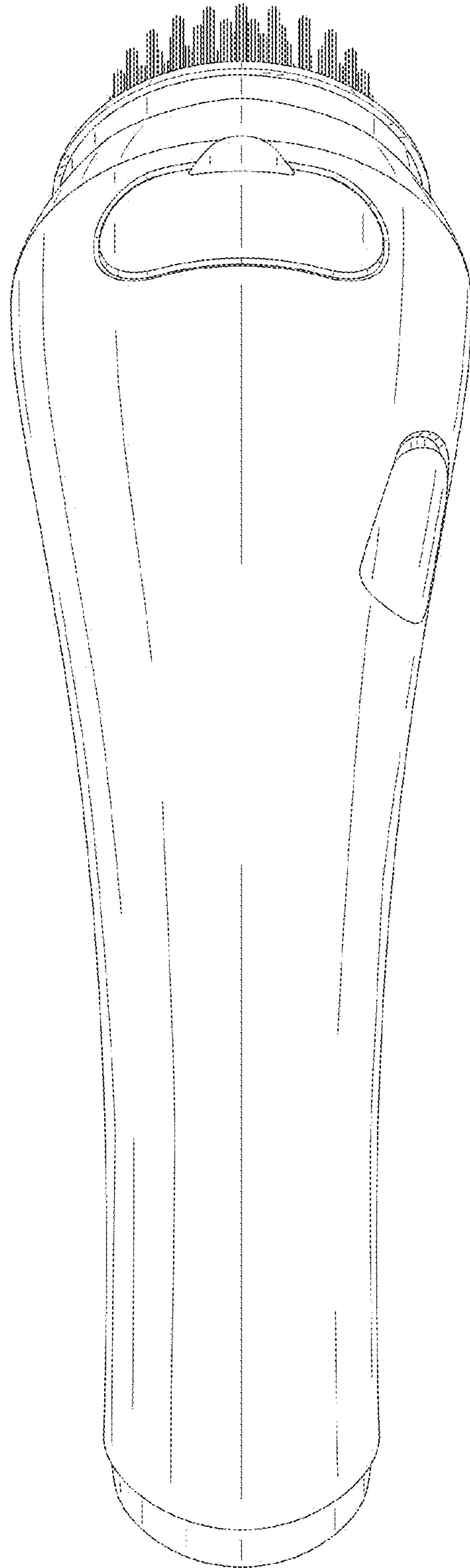


FIG.4

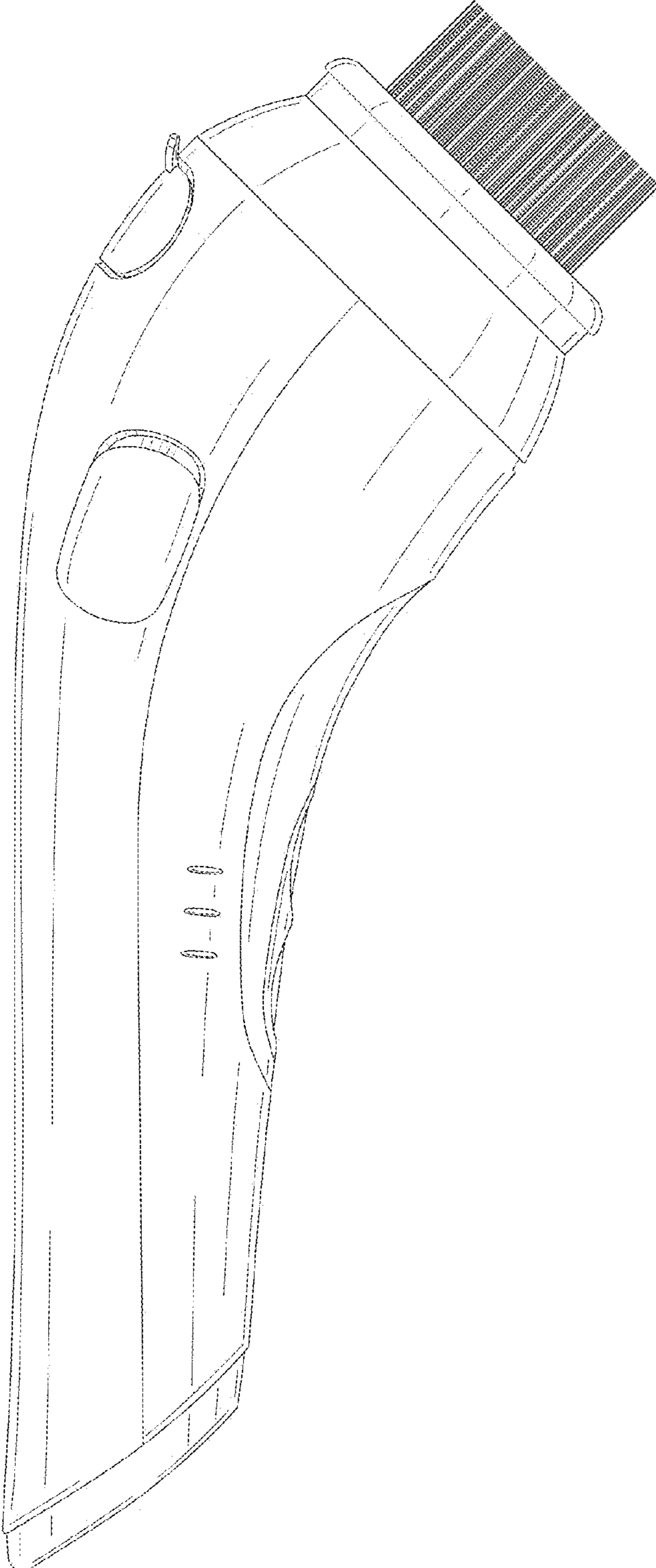


FIG.5

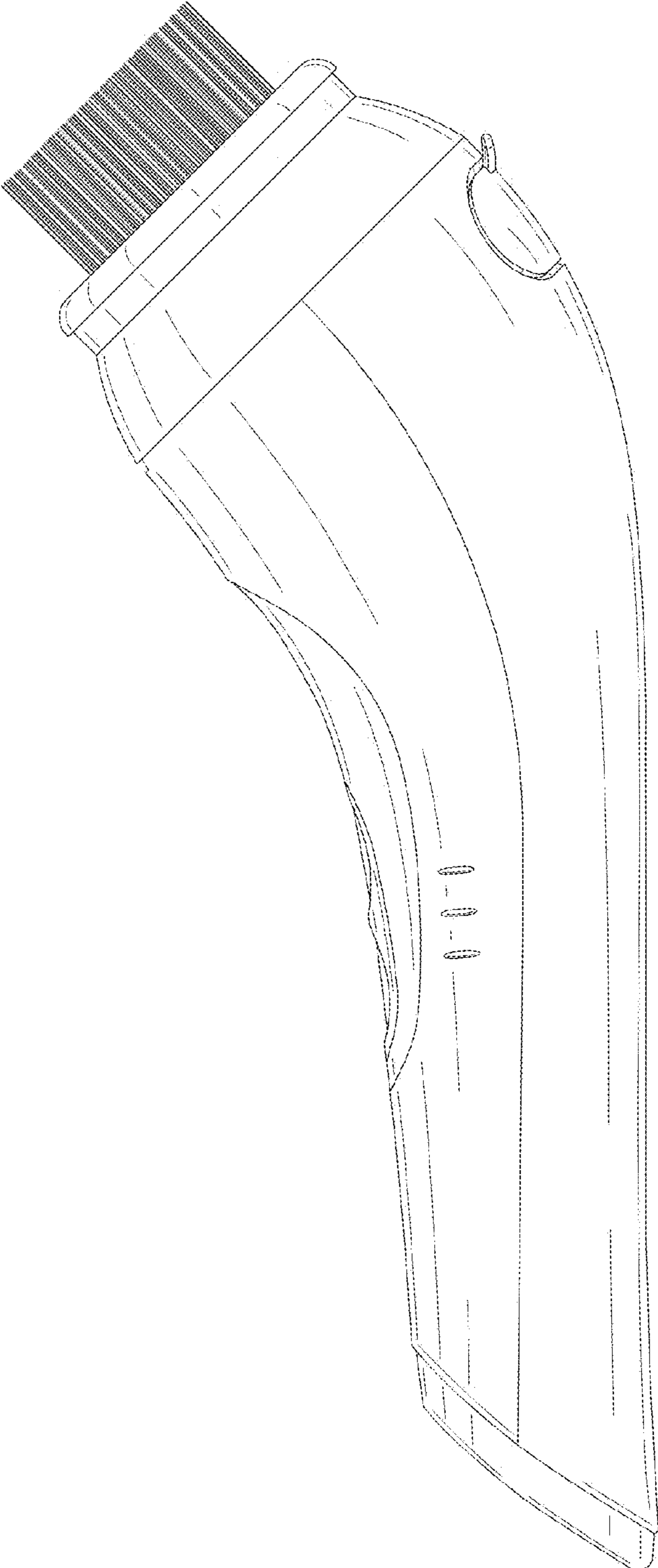


FIG.6

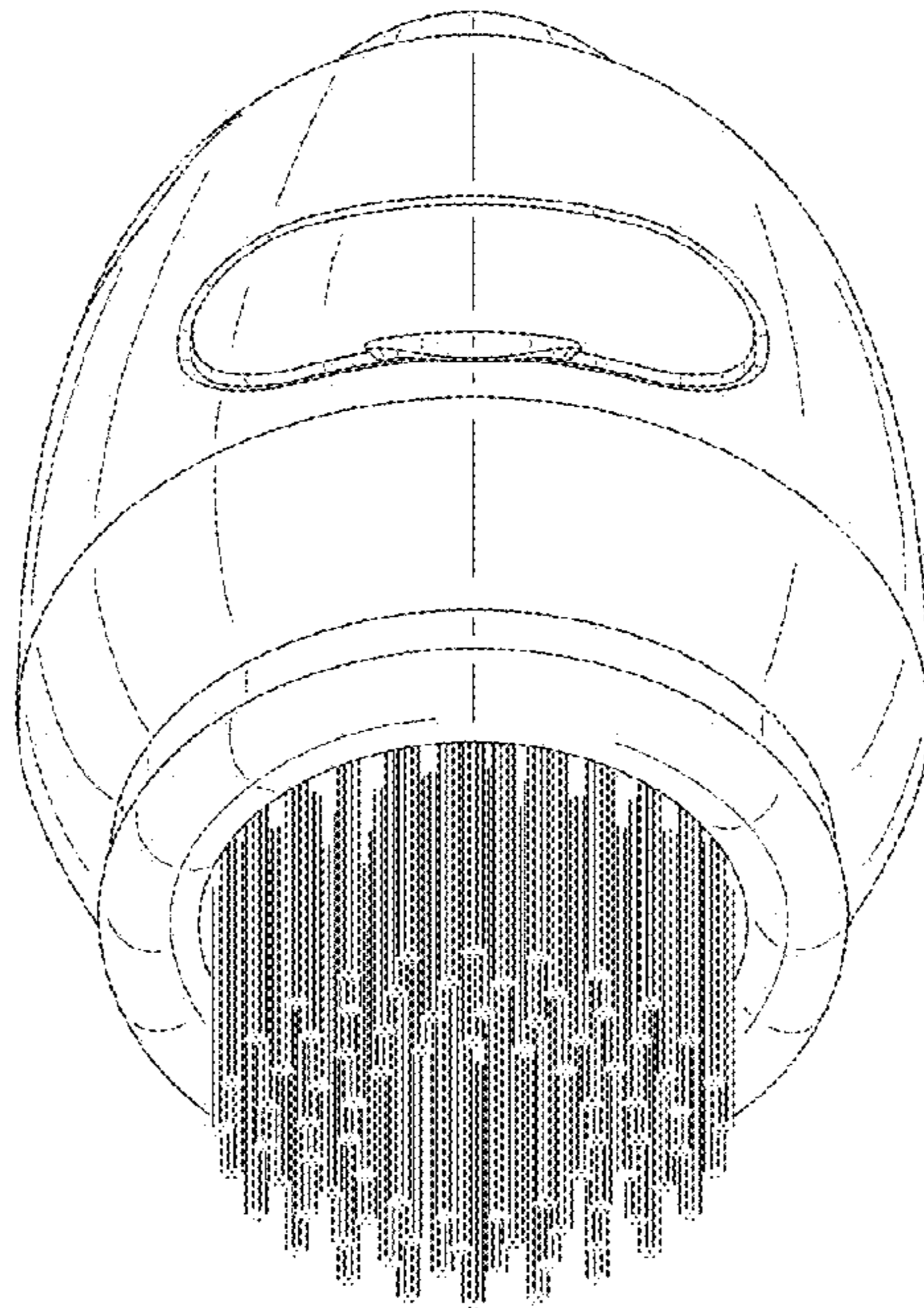


FIG. 7

