



US00D760497S

(12) **United States Design Patent**
Martin

(10) **Patent No.:** **US D760,497 S**
(45) **Date of Patent:** **** Jul. 5, 2016**

(54) **CONTAINER WITH HOOKS FOR A WALKER OR WHEELCHAIR**

D655,150 S * 3/2012 Alderman D8/367
D693,577 S * 11/2013 Goodman D3/306
D735,996 S * 8/2015 Fath D3/305

(71) Applicant: **Mario Martin**, Miami, FL (US)

* cited by examiner

(72) Inventor: **Mario Martin**, Miami, FL (US)

Primary Examiner — Kelley Donnelly

(73) Assignee: **Mario Martin**, Miami, FL (US)

(74) *Attorney, Agent, or Firm* — Christian Sanchelima;
Jesus Sanchelima

(**) Term: **14 Years**

(57) **CLAIM**

The ornamental design for container with hooks for a walker or wheelchair, as shown and described.

(21) Appl. No.: **29/508,355**

DESCRIPTION

(22) Filed: **Nov. 5, 2014**

(51) **LOC (10) Cl.** **03-01**

(52) **U.S. Cl.**
USPC **D3/304**

(58) **Field of Classification Search**
USPC D3/304–305, 308; D6/675, 678;
D19/75–78, 86
CPC B65D 1/22; A45C 2011/007
See application file for complete search history.

FIG. 1 is an isometric view of the container with hooks for a walker or wheelchair with environment showing my new design;
FIG. 2 is an isometric view thereof;
FIG. 3 is a rear isometric view thereof;
FIG. 4 is a front elevational view thereof;
FIG. 5 is a rear elevational view thereof;
FIG. 6 is an isometric view thereof shown with environment;
FIG. 7 is an isometric view thereof shown with environment;
FIG. 8 is a left side elevational view thereof; and,
FIG. 9 is a right side elevational view thereof.

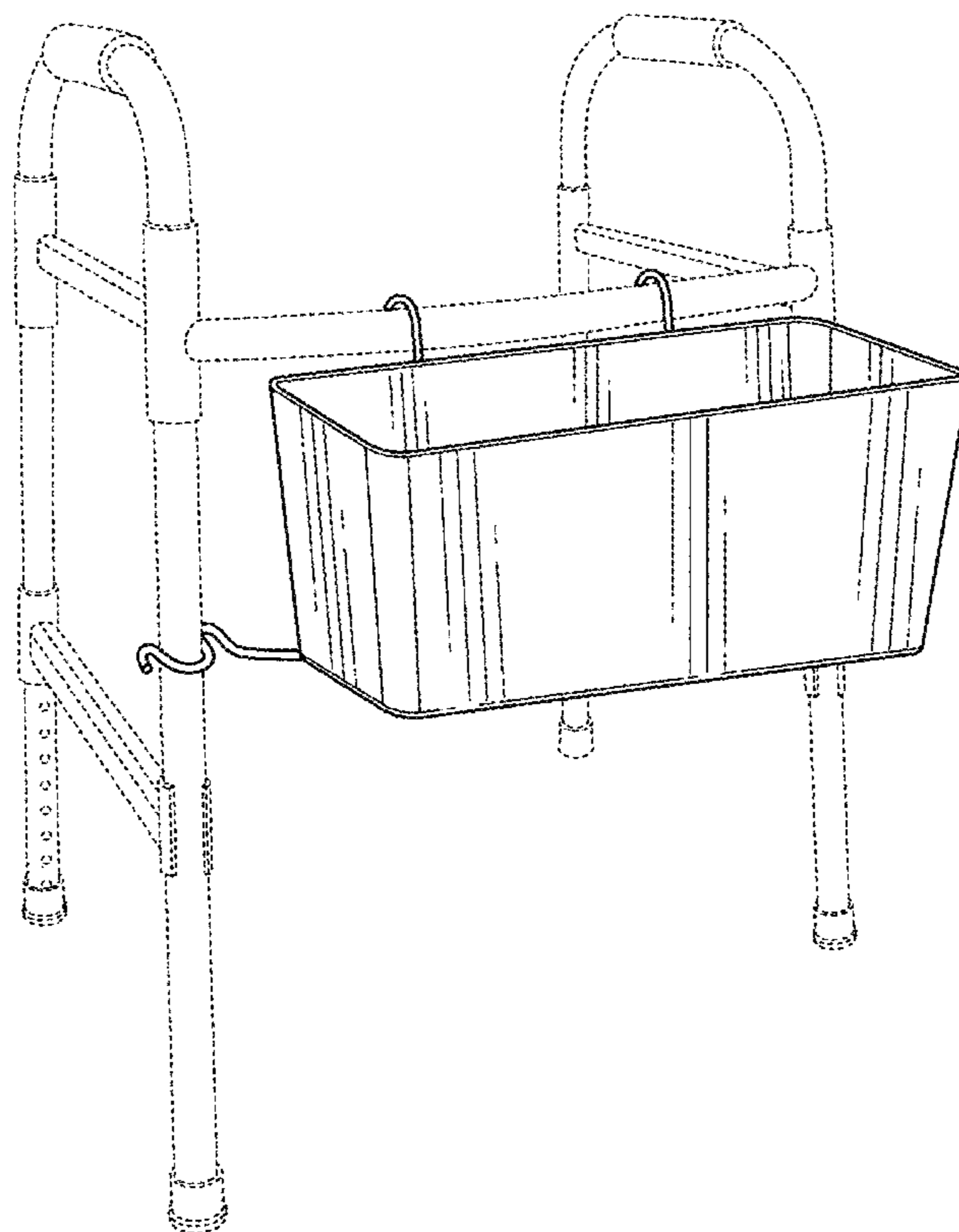
The broken lines represent a portion of the walker which form no part of the claimed design. The screws shown in broken lines in FIGS. 4, 5, 8, and 9 are shown for illustrative purposes only and form no part of the claimed design.

(56) **References Cited**

U.S. PATENT DOCUMENTS

5,222,704 A * 6/1993 Light B65F 1/06
220/495.08
5,915,584 A * 6/1999 Sposit B65B 7/1227
220/495.09

1 Claim, 6 Drawing Sheets



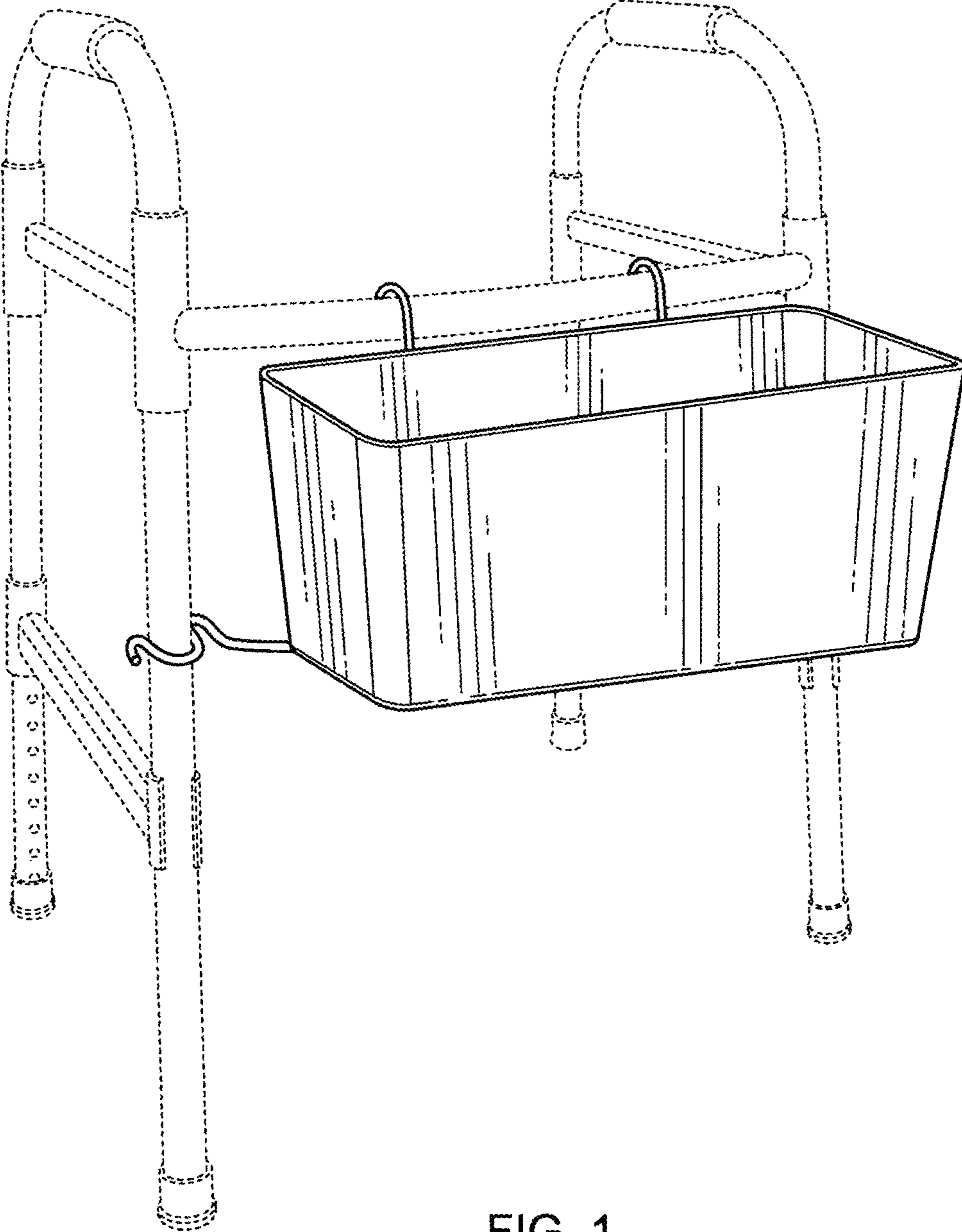


FIG. 1

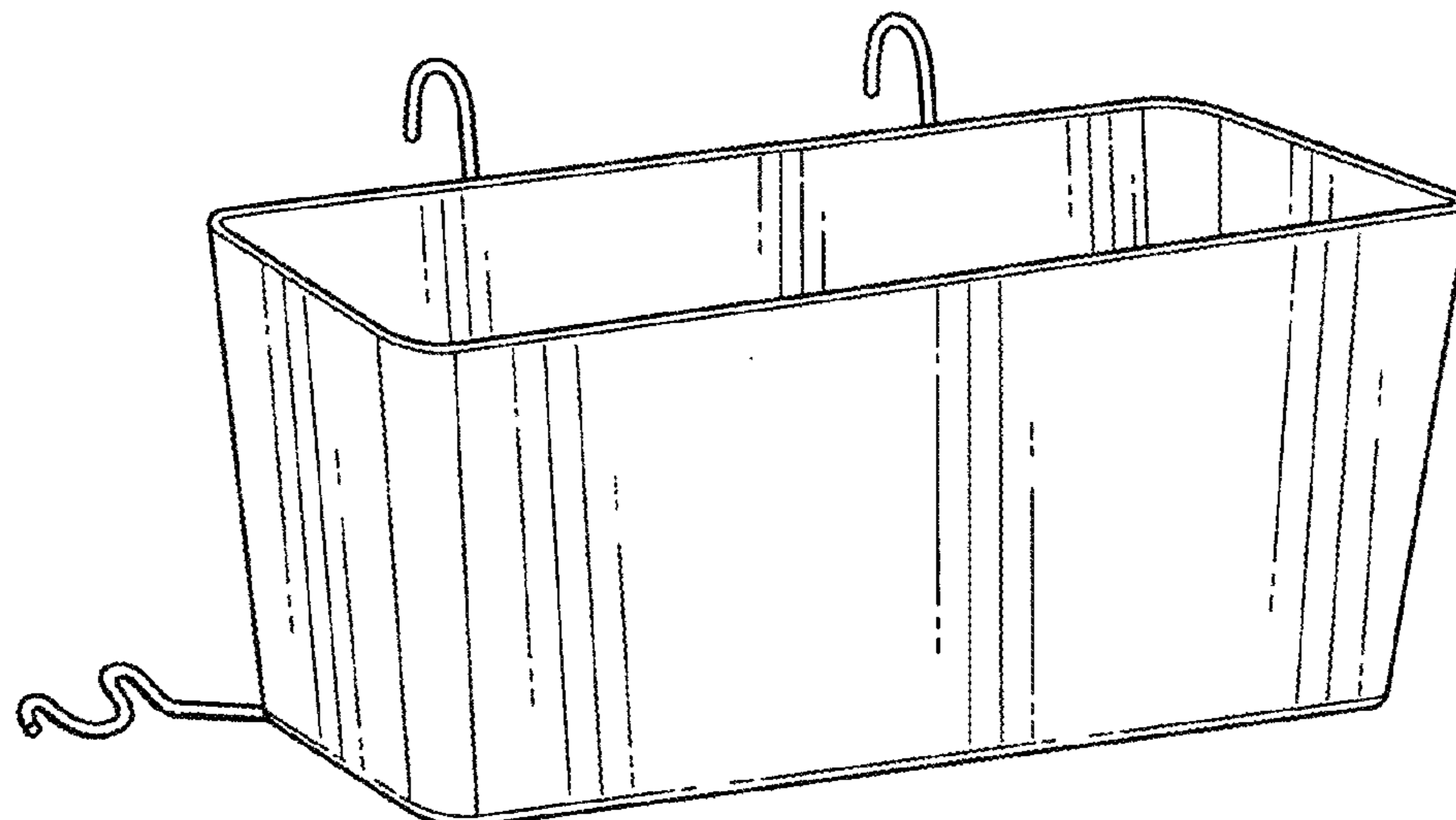


FIG. 2

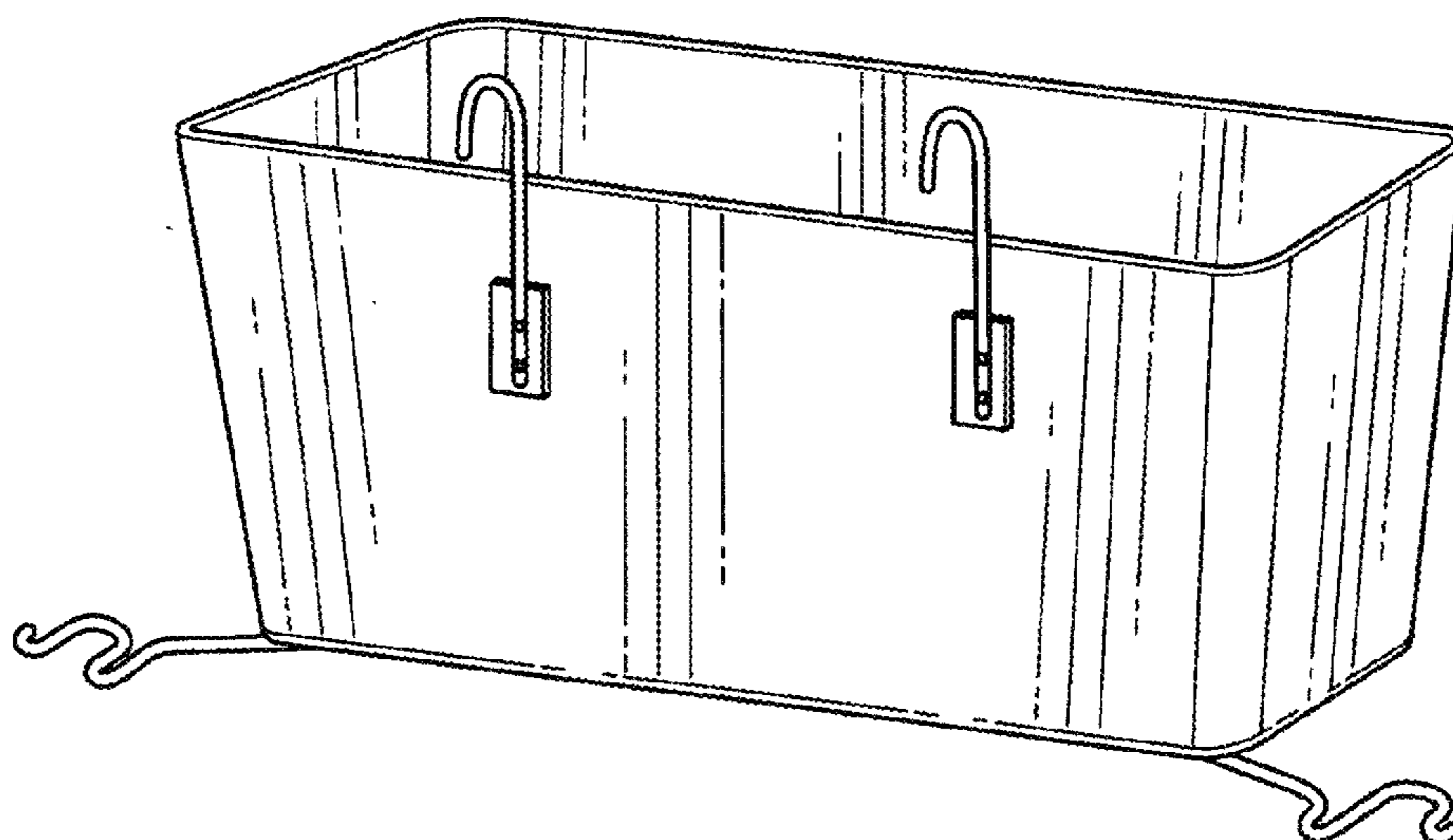


FIG. 3

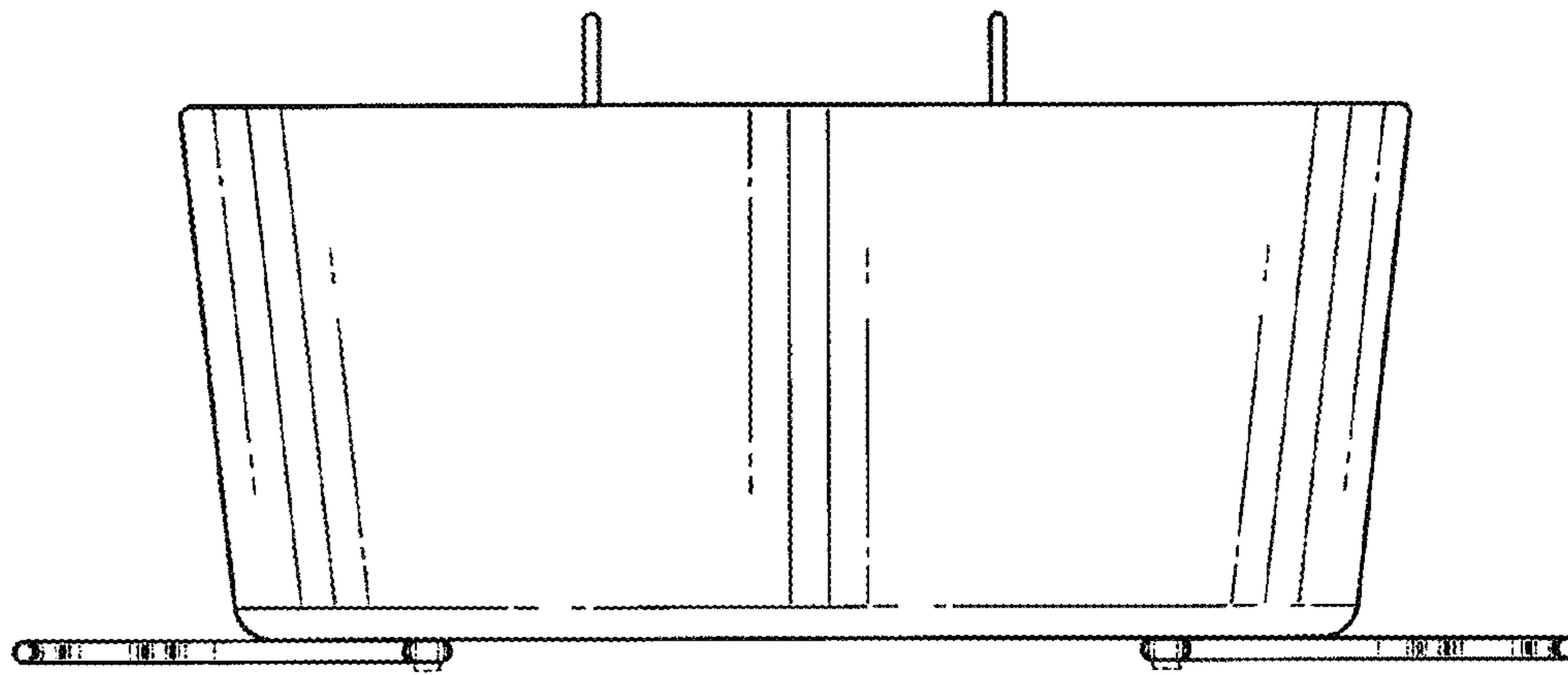


FIG. 4

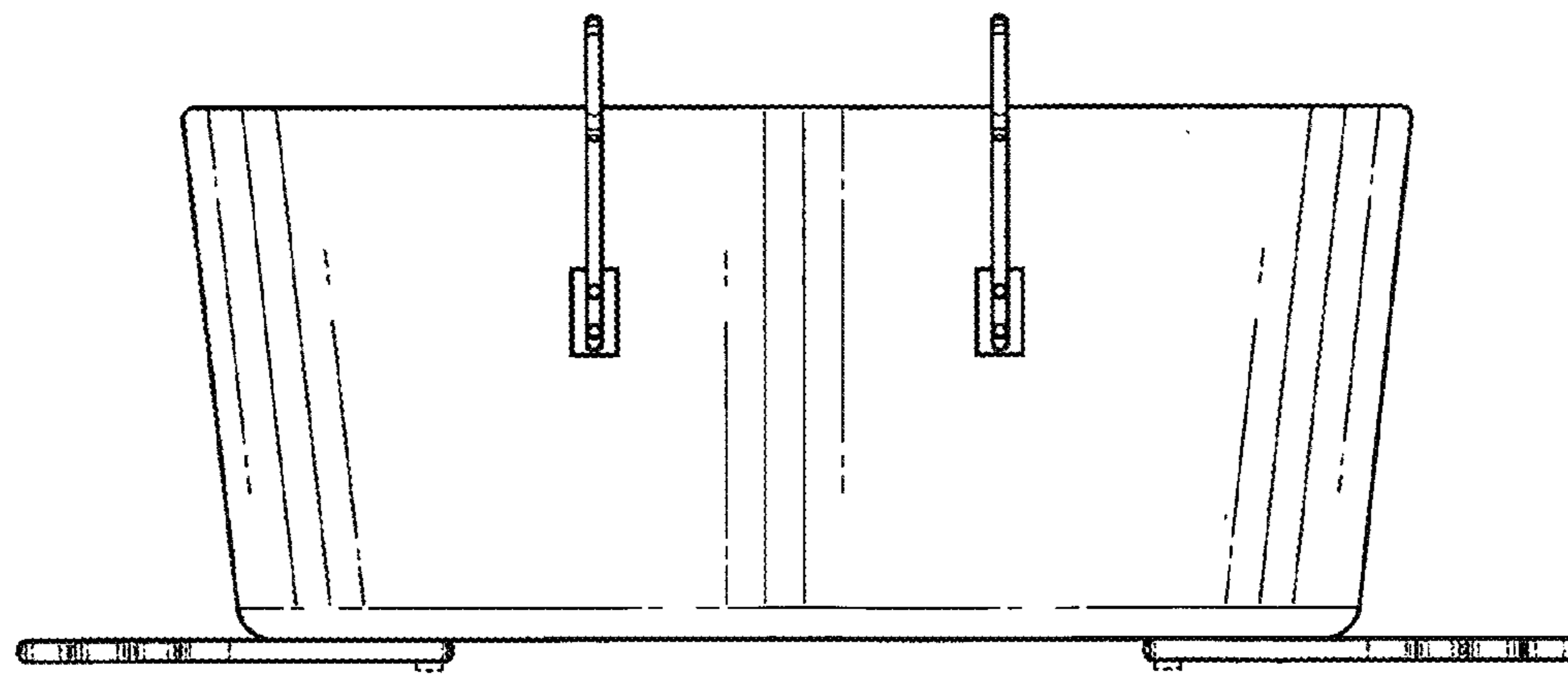


FIG. 5

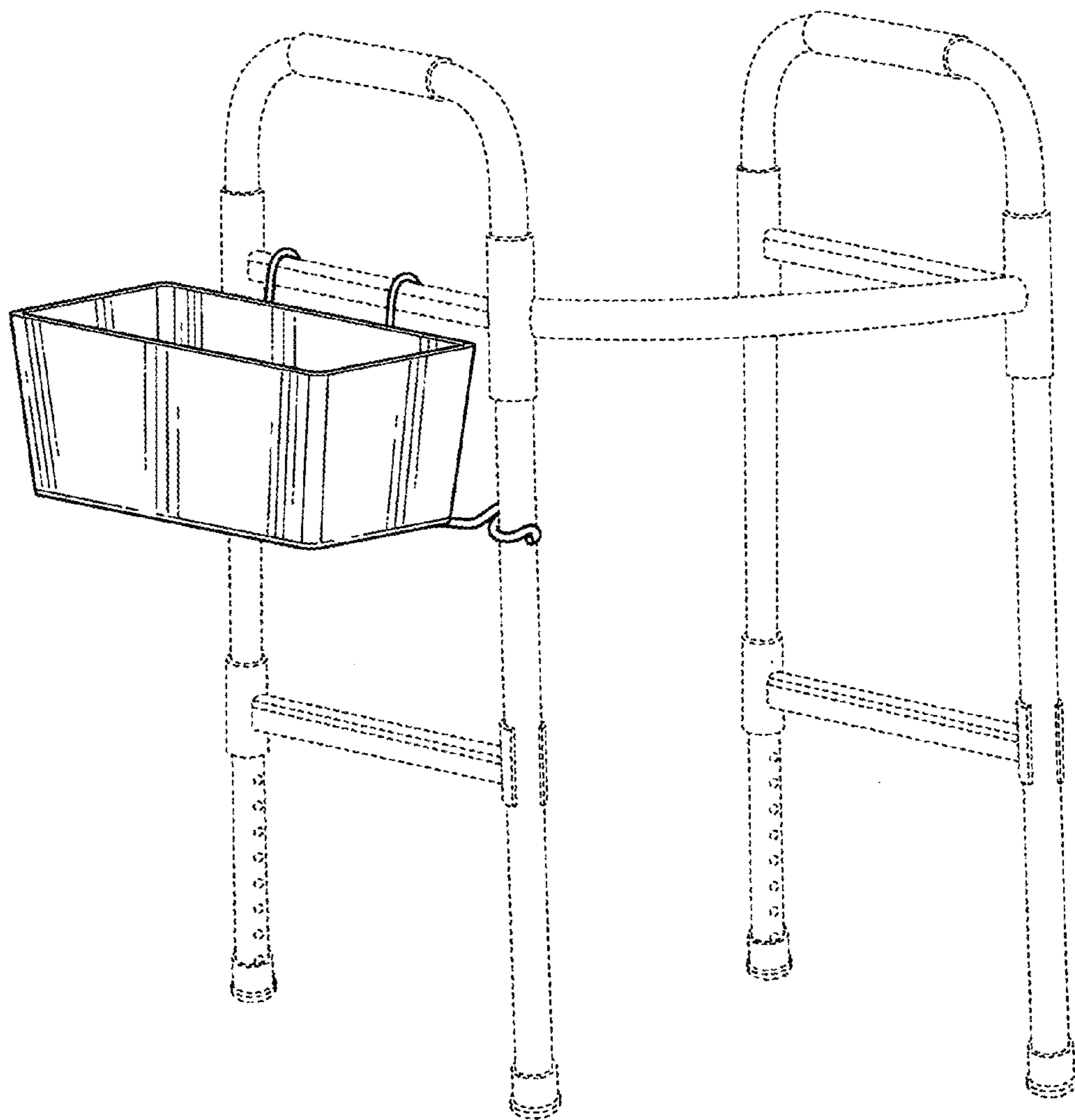


FIG. 6

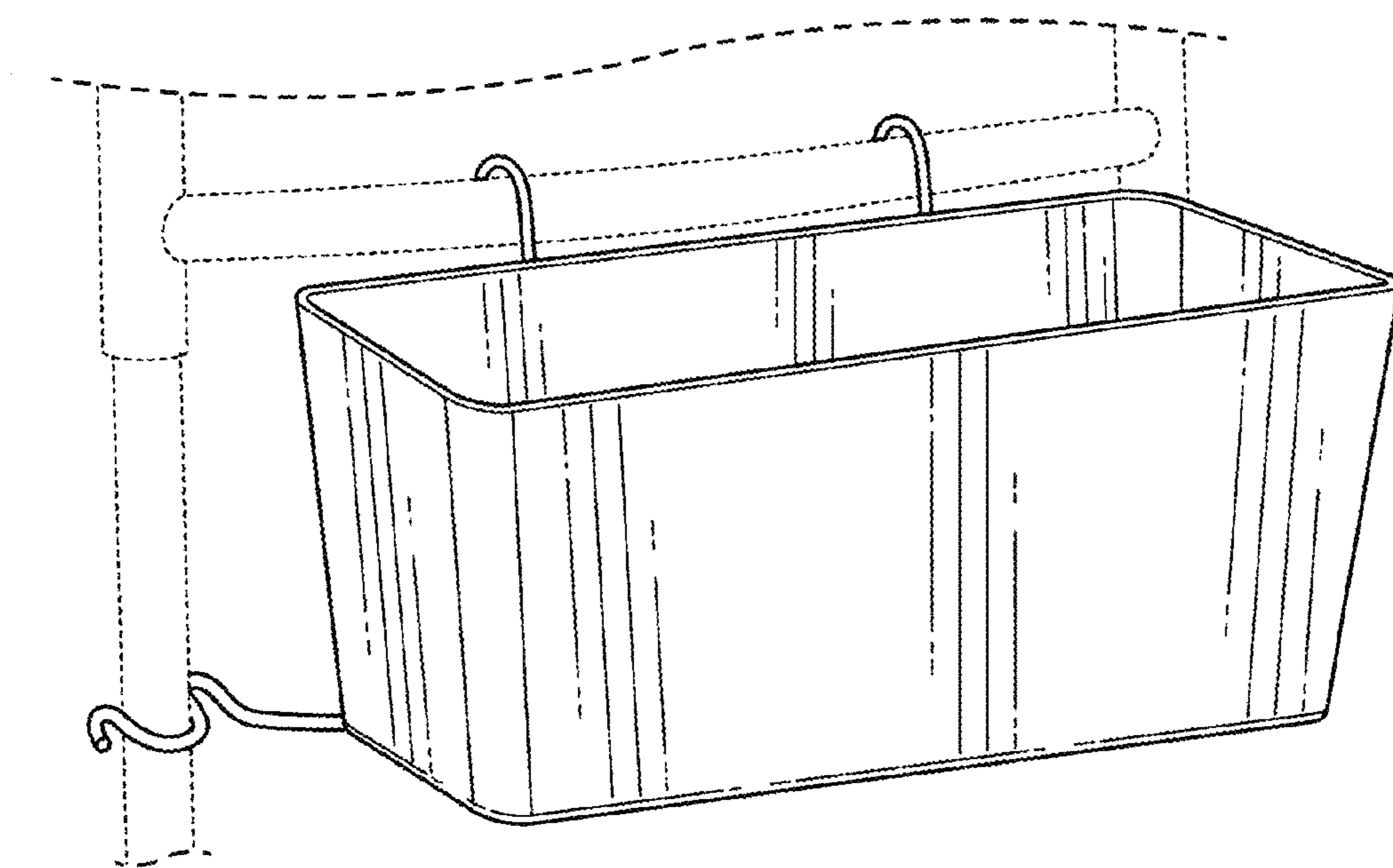


FIG. 7

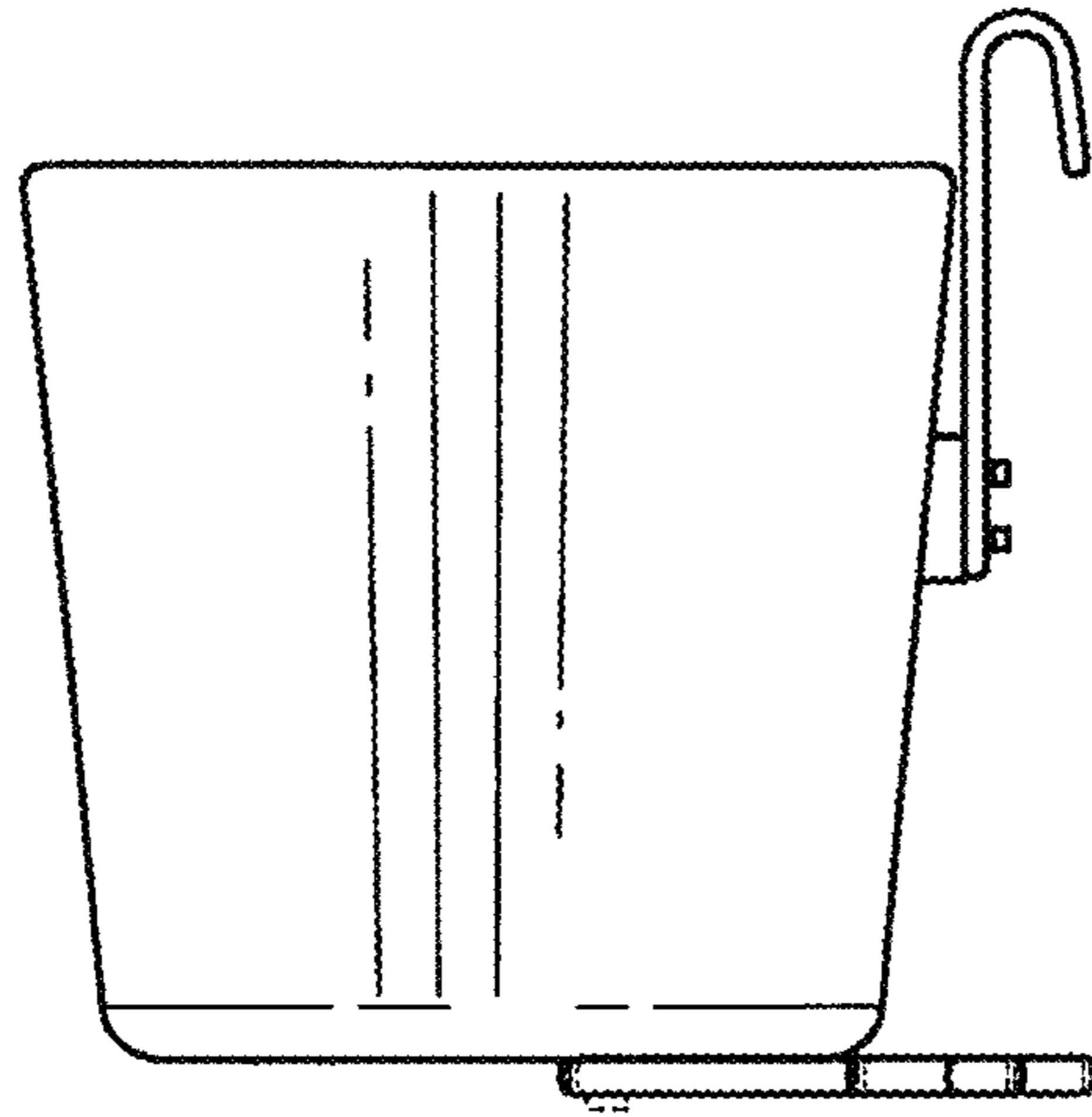


FIG. 8

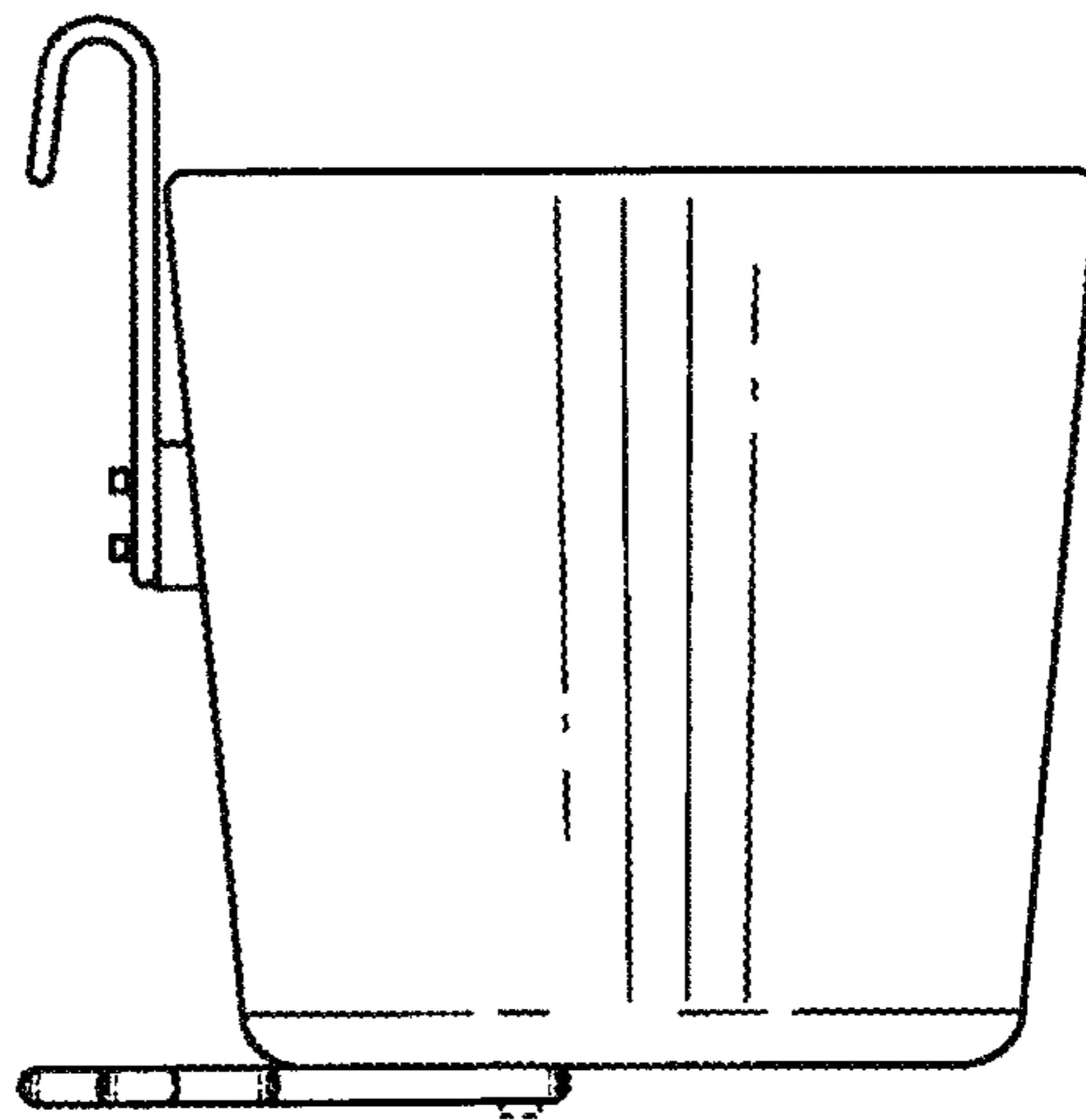


FIG. 9