

US00D760495S

(12) **United States Design Patent**
Baram

(10) **Patent No.:** **US D760,495 S**
(45) **Date of Patent:** **** Jul. 5, 2016**

(54) **BAG CONVERTIBLE INTO A TOWEL OR BLANKET**

224/576
D571,102 S * 6/2008 Gostt D3/244
D631,247 S * 1/2011 Sabbah D3/232

(71) Applicant: **Sonja Baram**, New York, NY (US)

* cited by examiner

(72) Inventor: **Sonja Baram**, New York, NY (US)

Primary Examiner — Holly Baynham

(**) Term: **14 Years**

(74) *Attorney, Agent, or Firm* — Ladas & Parry LLP

(21) Appl. No.: **29/512,923**

(57) **CLAIM**

I claim the ornamental design for a bag convertible into a towel or a blanket, as shown.

(22) Filed: **Dec. 23, 2014**

DESCRIPTION

Related U.S. Application Data

(62) Division of application No. 29/461,774, filed on Jul. 26, 2013, now Pat. No. Des. 721,483.

(51) **LOC (10) Cl.** **03-01**

(52) **U.S. Cl.**
USPC **D3/233**

(58) **Field of Classification Search**
USPC D3/232–233, 245–246
CPC A45C 1/024; A45C 3/06; B65D 33/06
See application file for complete search history.

(56) **References Cited**

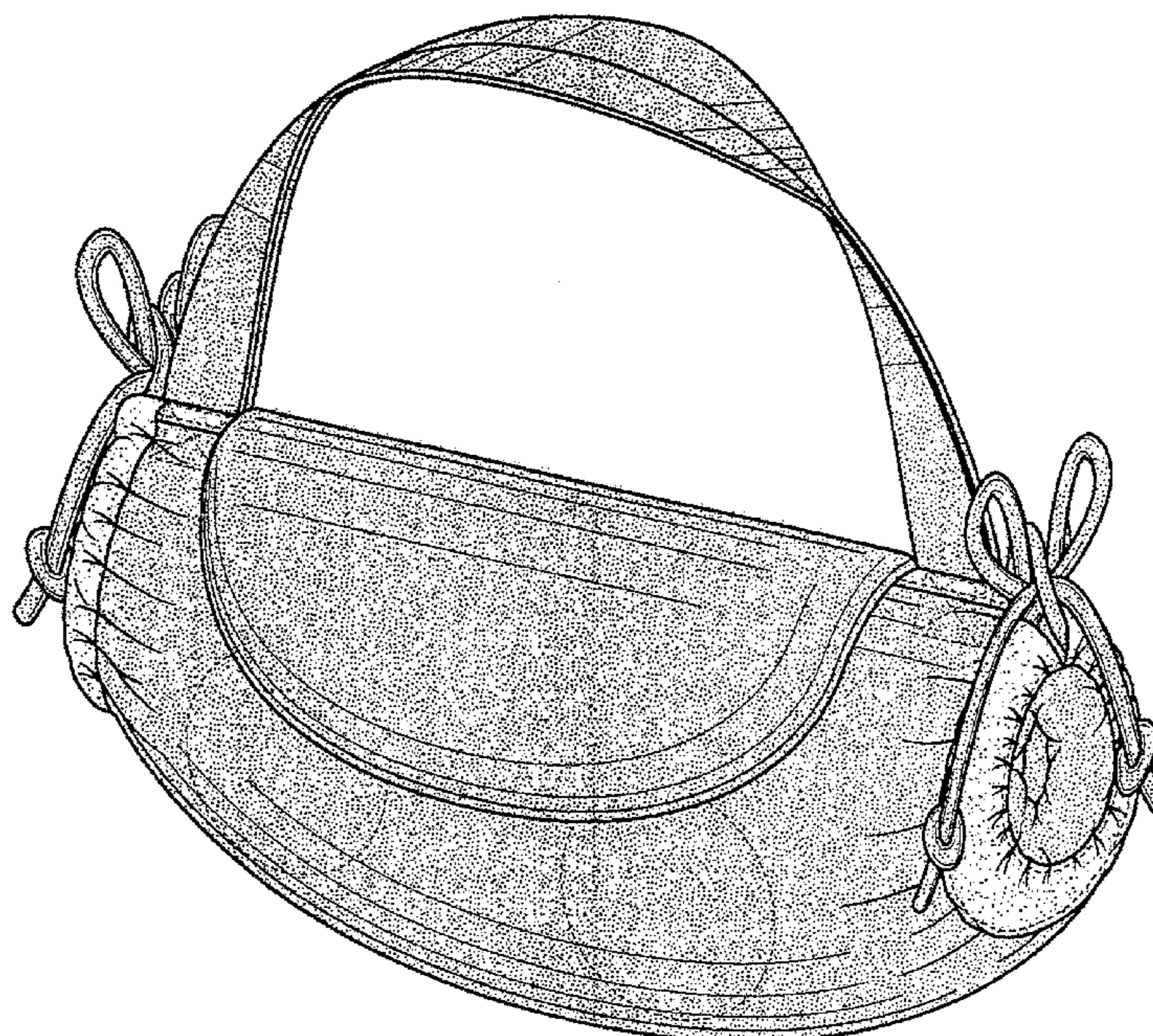
U.S. PATENT DOCUMENTS

5,044,699 A * 9/1991 Duty A45C 7/0077
190/108
D386,613 S * 11/1997 Terzian D3/287
D387,555 S * 12/1997 Miller D3/232
6,276,828 B1 * 8/2001 Otley A45F 4/02

FIG. 1 is a perspective view of a bag convertible into a towel or blanket showing our new design;
FIG. 2 is a front elevational view in a closed position;
FIG. 3 is a top plan view thereof;
FIG. 4 is a rear elevational view thereof;
FIG. 5 is a bottom plan view thereof;
FIG. 6 is a left side elevational view thereof;
FIG. 7 is a right side elevational view thereof;
FIG. 8 is a front elevational view in an opened position;
FIG. 9 is a rear view in a fully opened position;
FIG. 10 is a rear view with the left side folded in;
FIG. 11 is a rear view with the left and right sides folded in;
FIG. 12 is a rear view in a closed position with the ties untied and uncinched; and,
FIG. 13 is a rear view in a closed position with the ties tied and cinched.

The broken lines showing stitching and mouse ears are for the purposes of illustrating environment and forms no part of the claimed design.

1 Claim, 11 Drawing Sheets



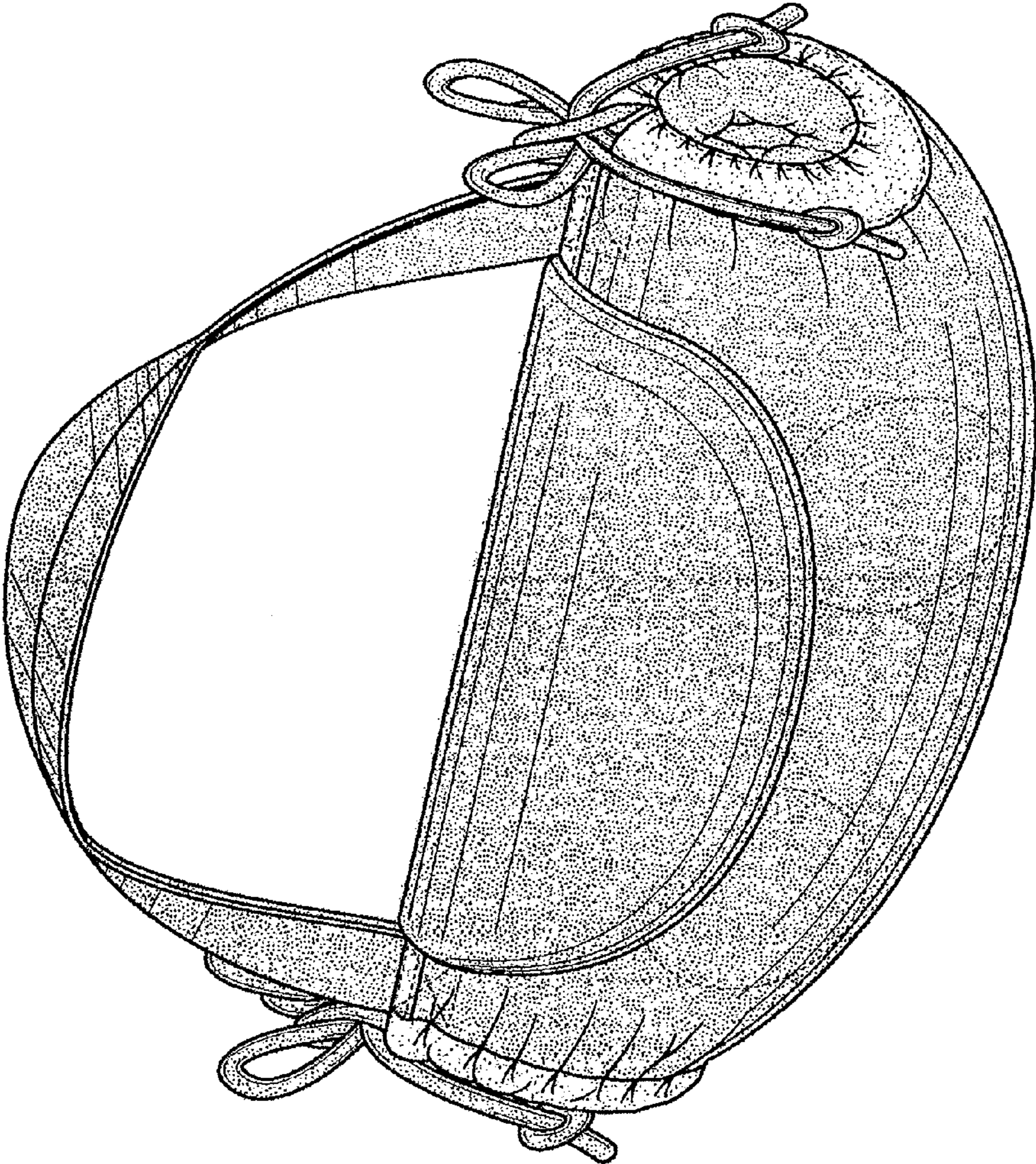


FIG. 1

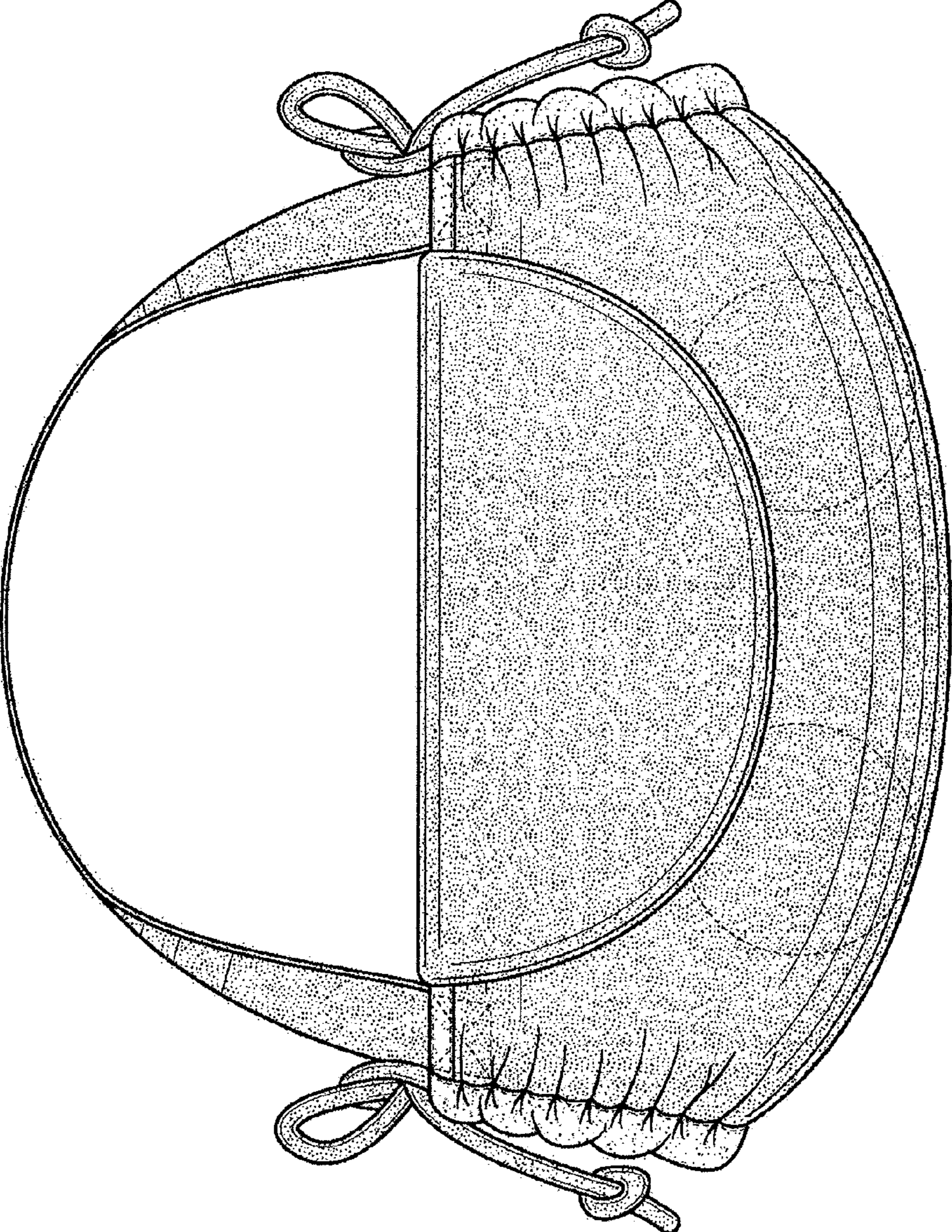


FIG. 2

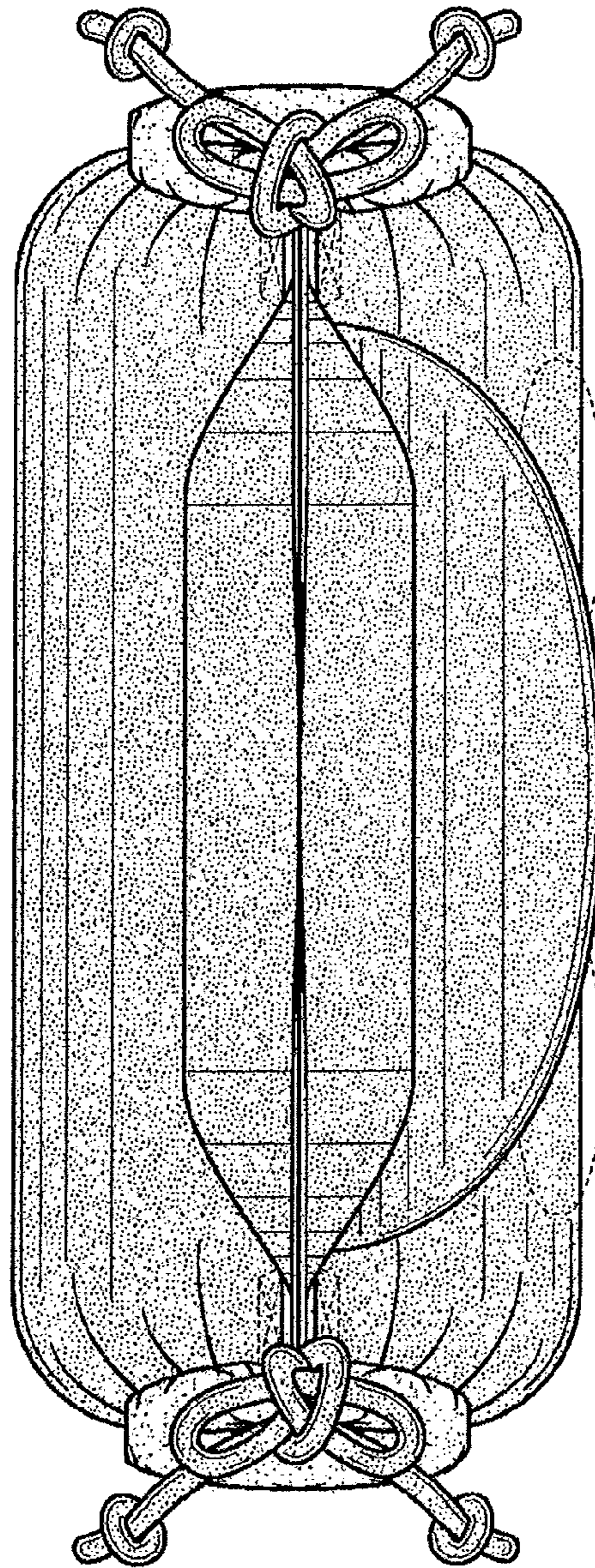


FIG. 3

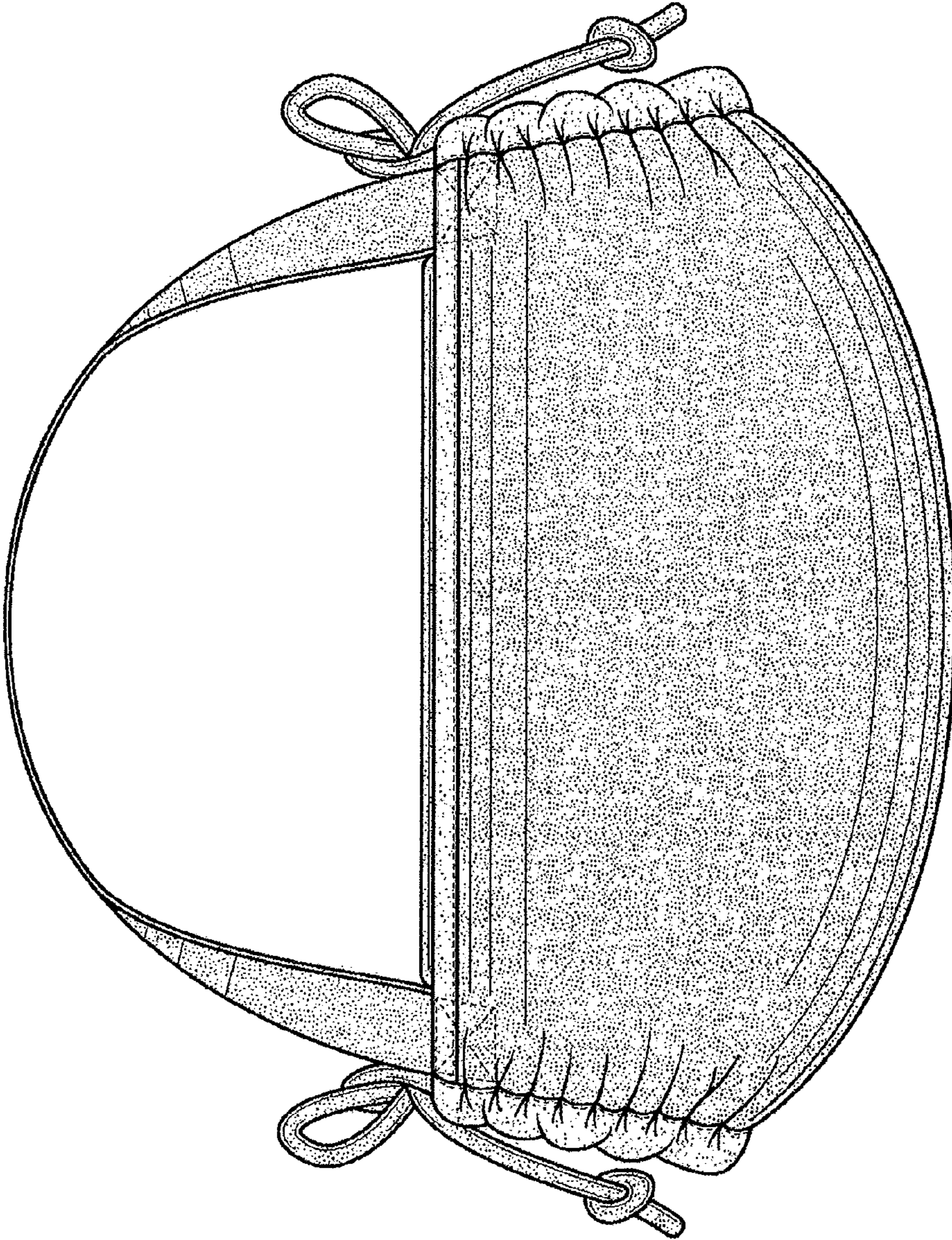


FIG. 4

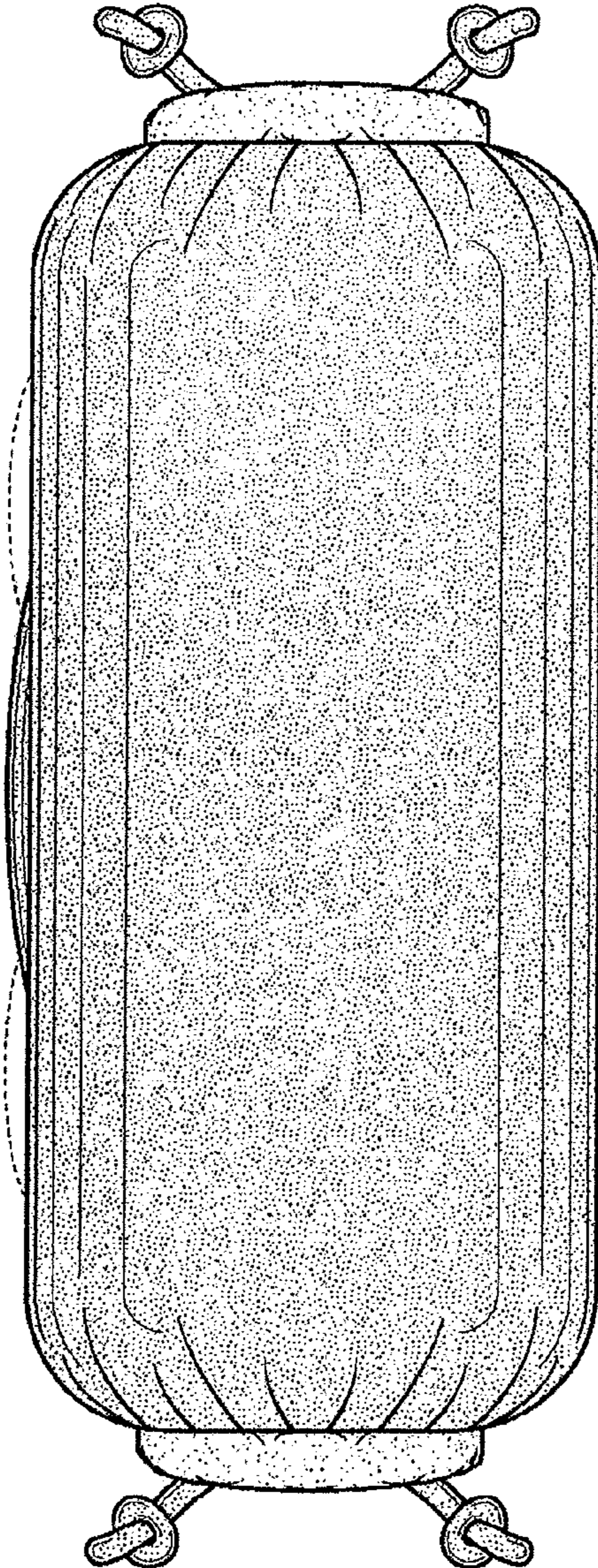


FIG. 5

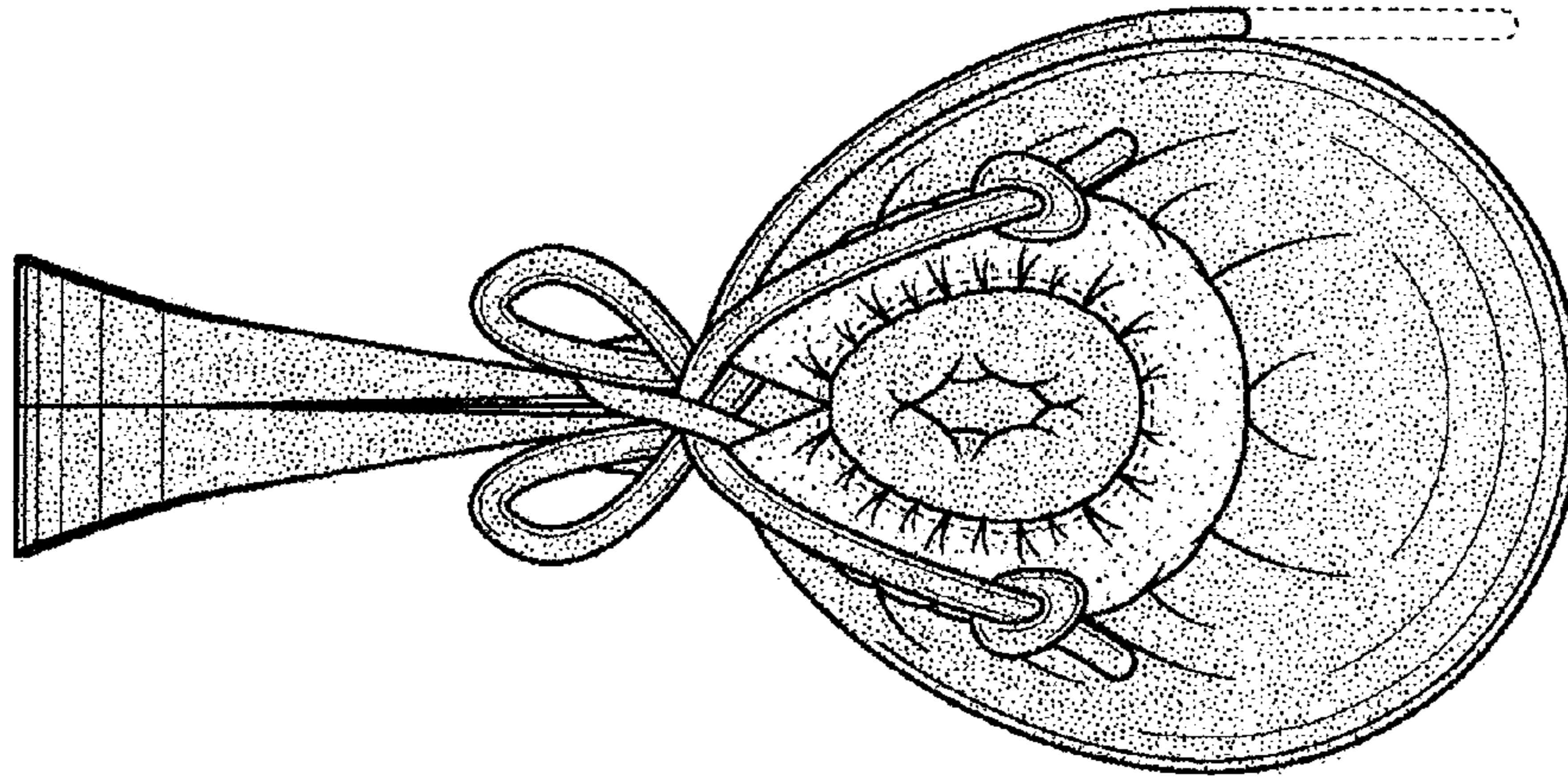


FIG. 7

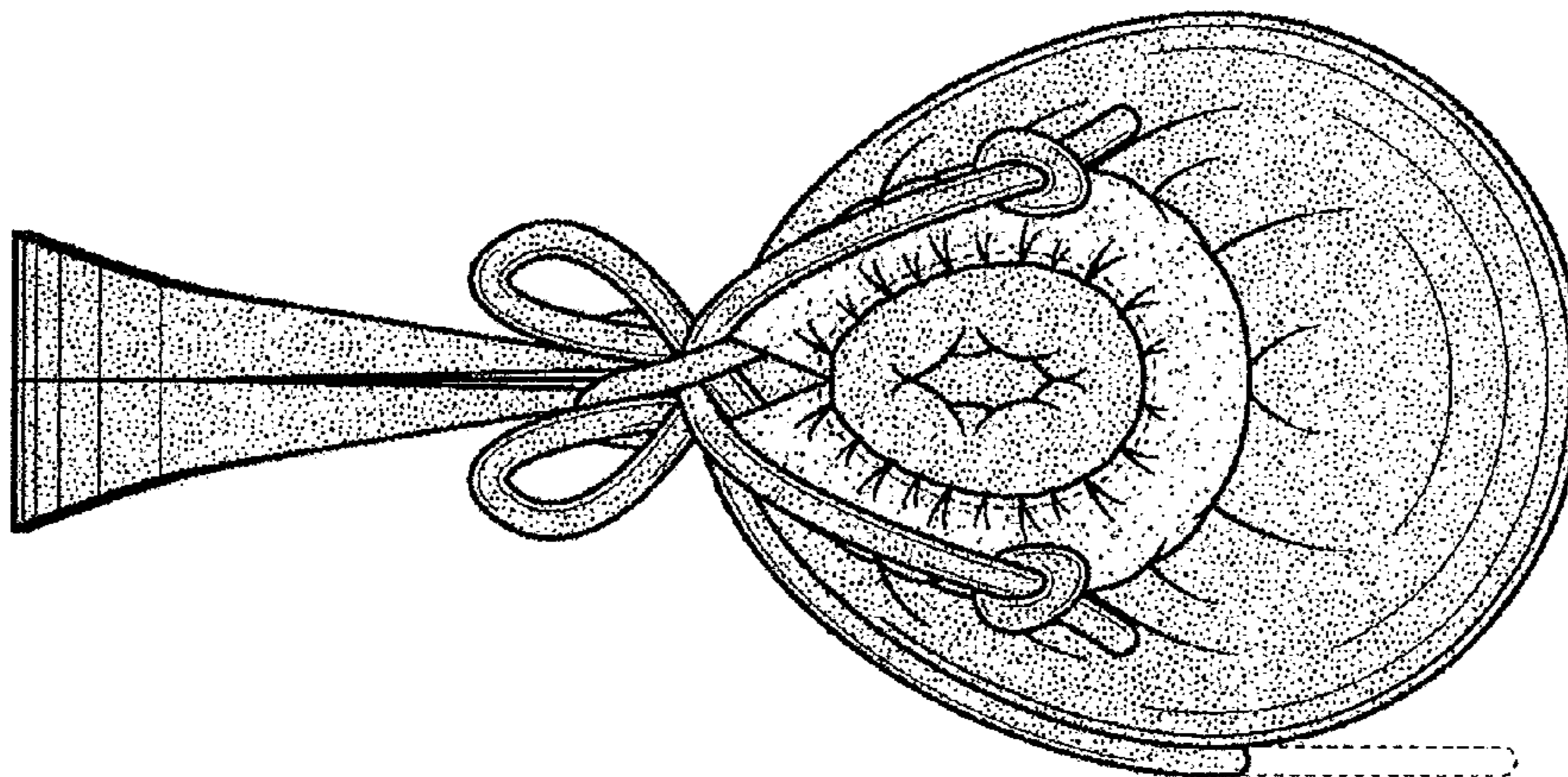


FIG. 6

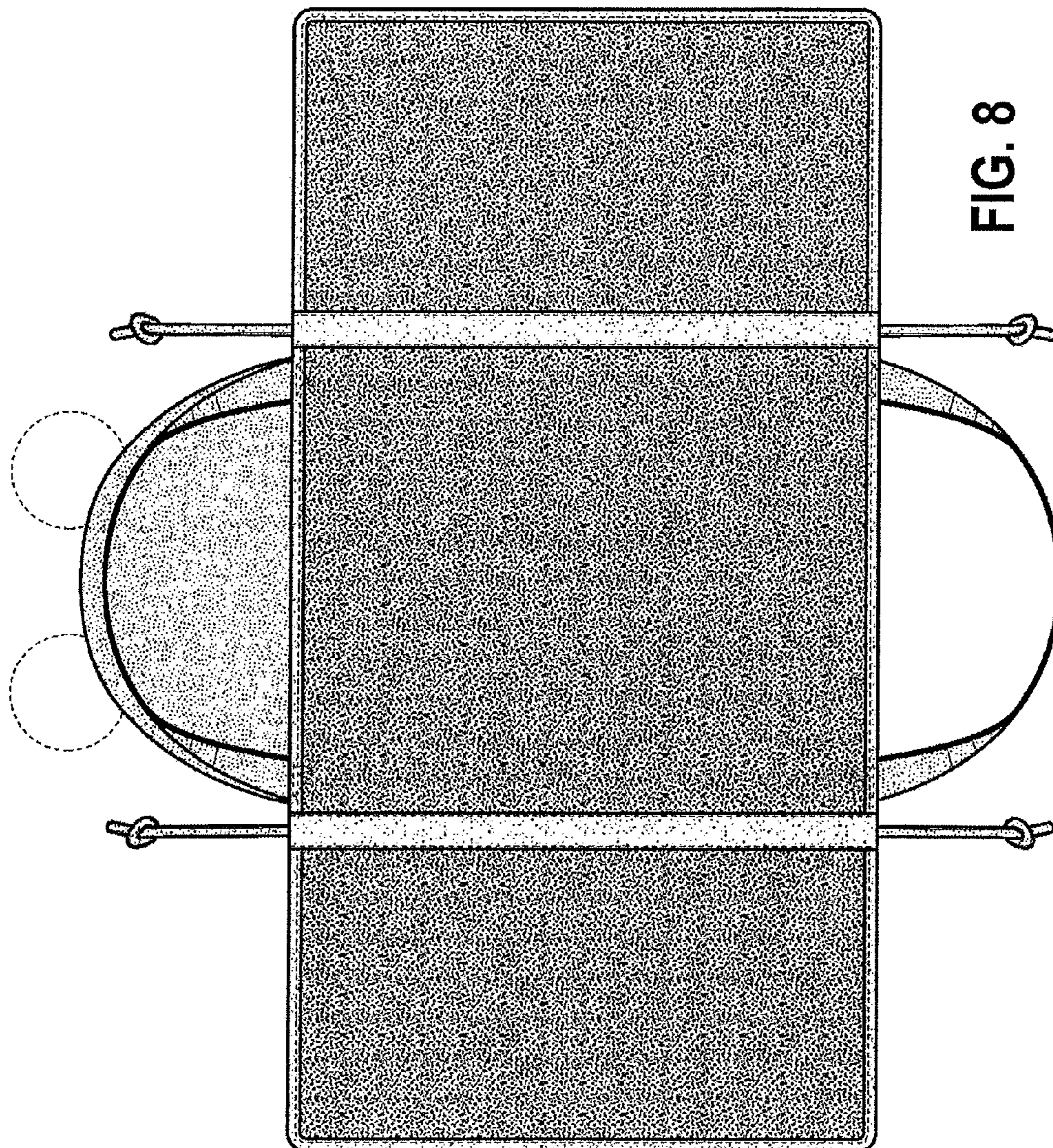


FIG. 8

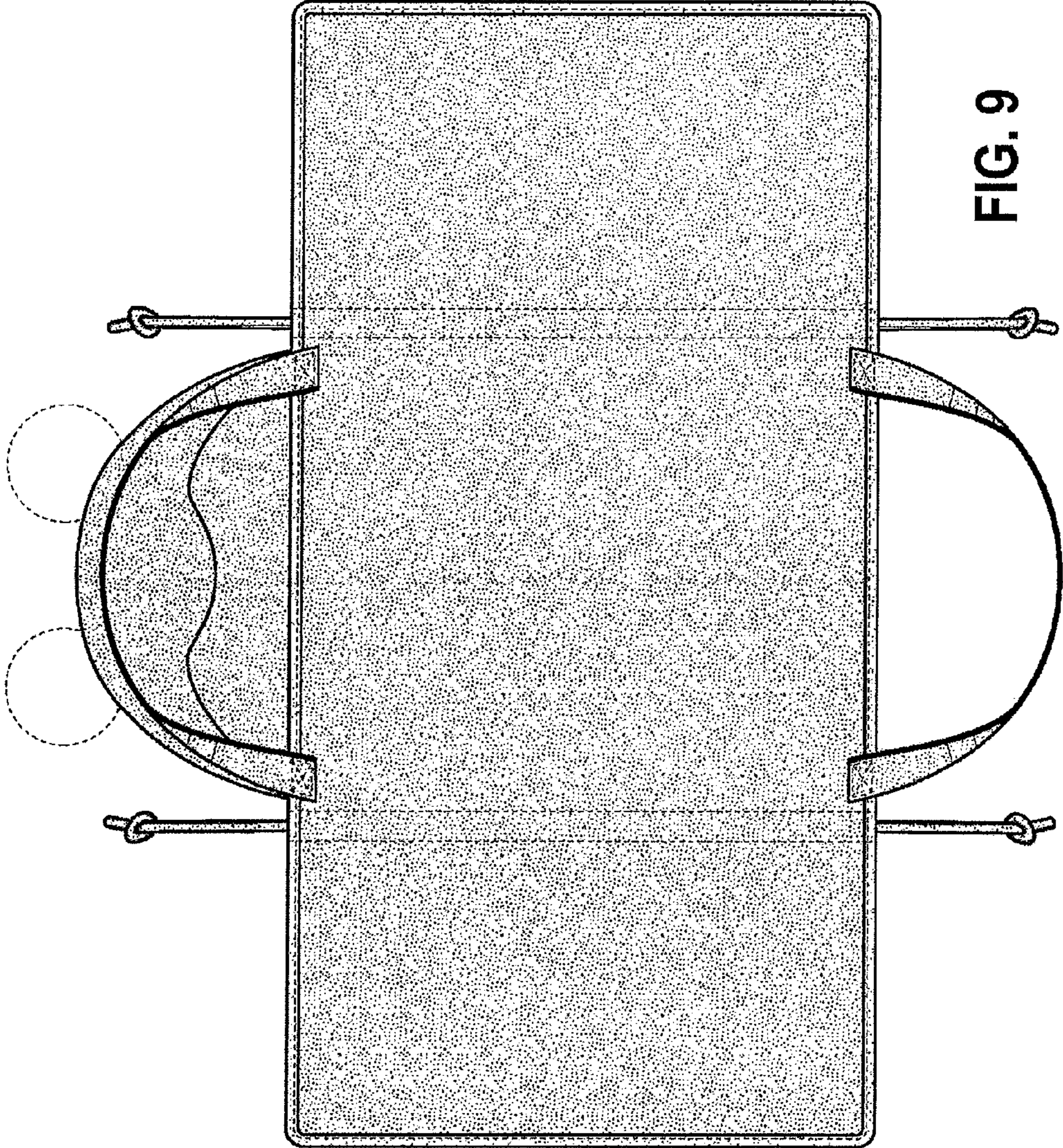


FIG. 9

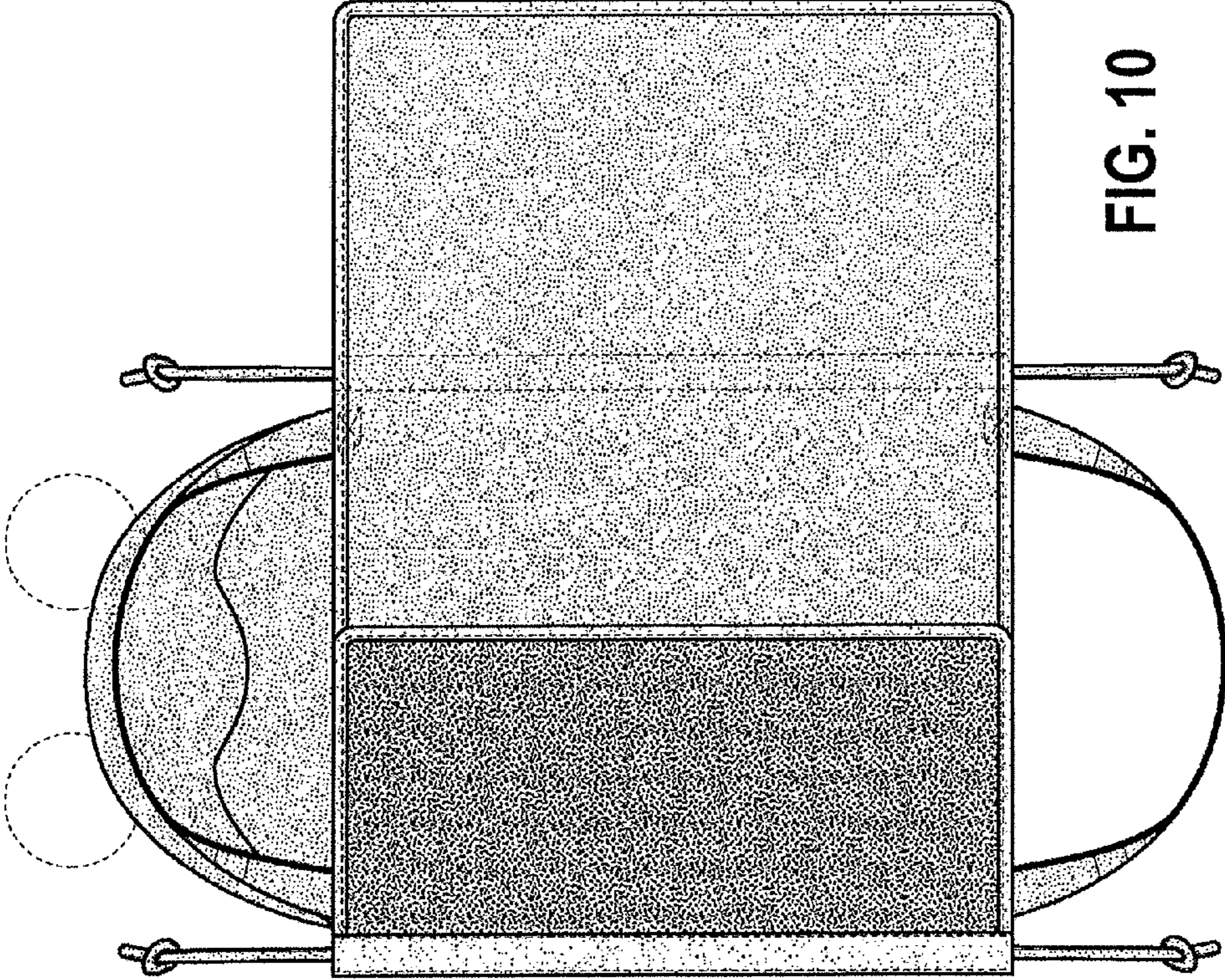


FIG. 10

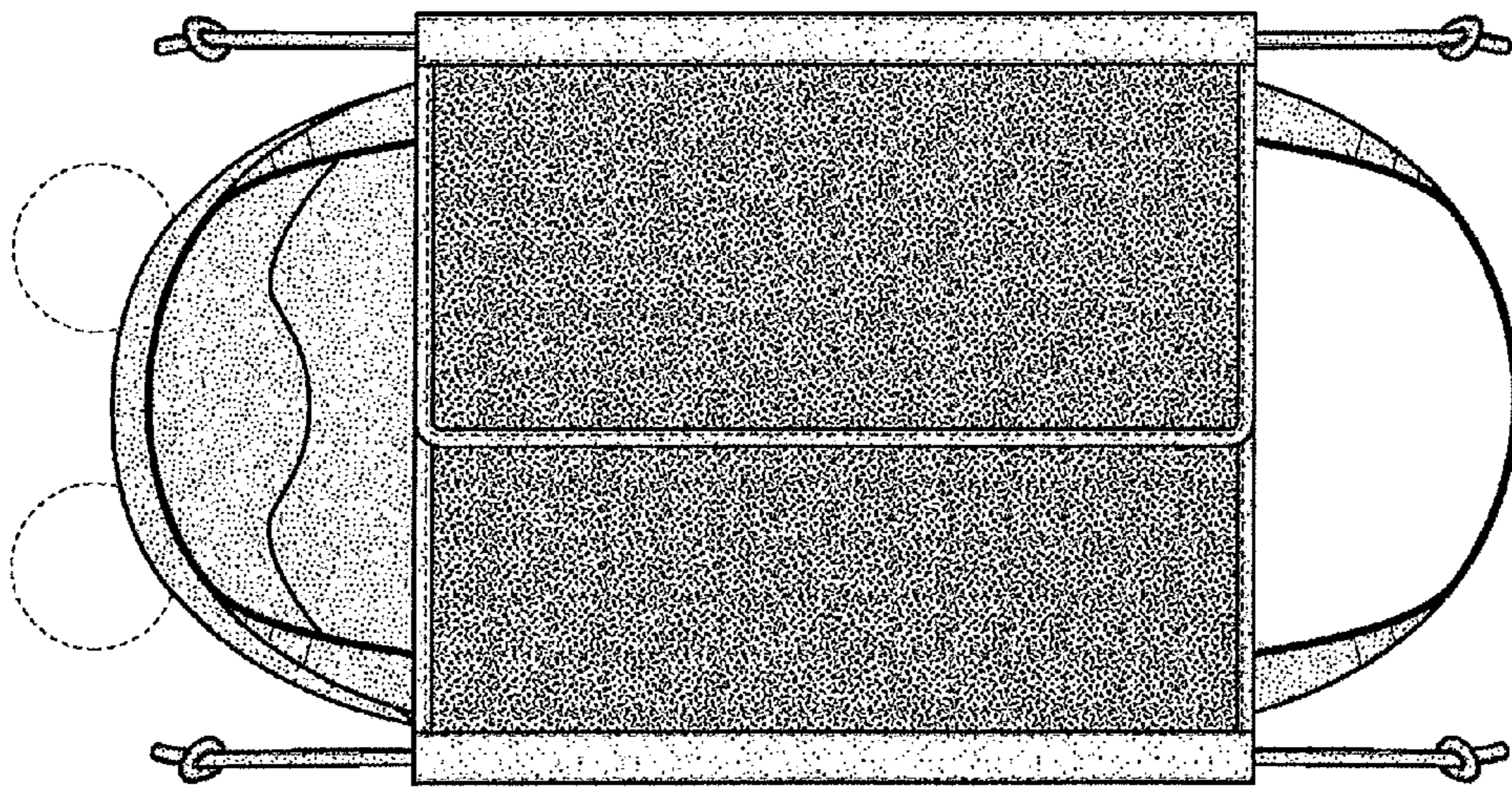


FIG. 11

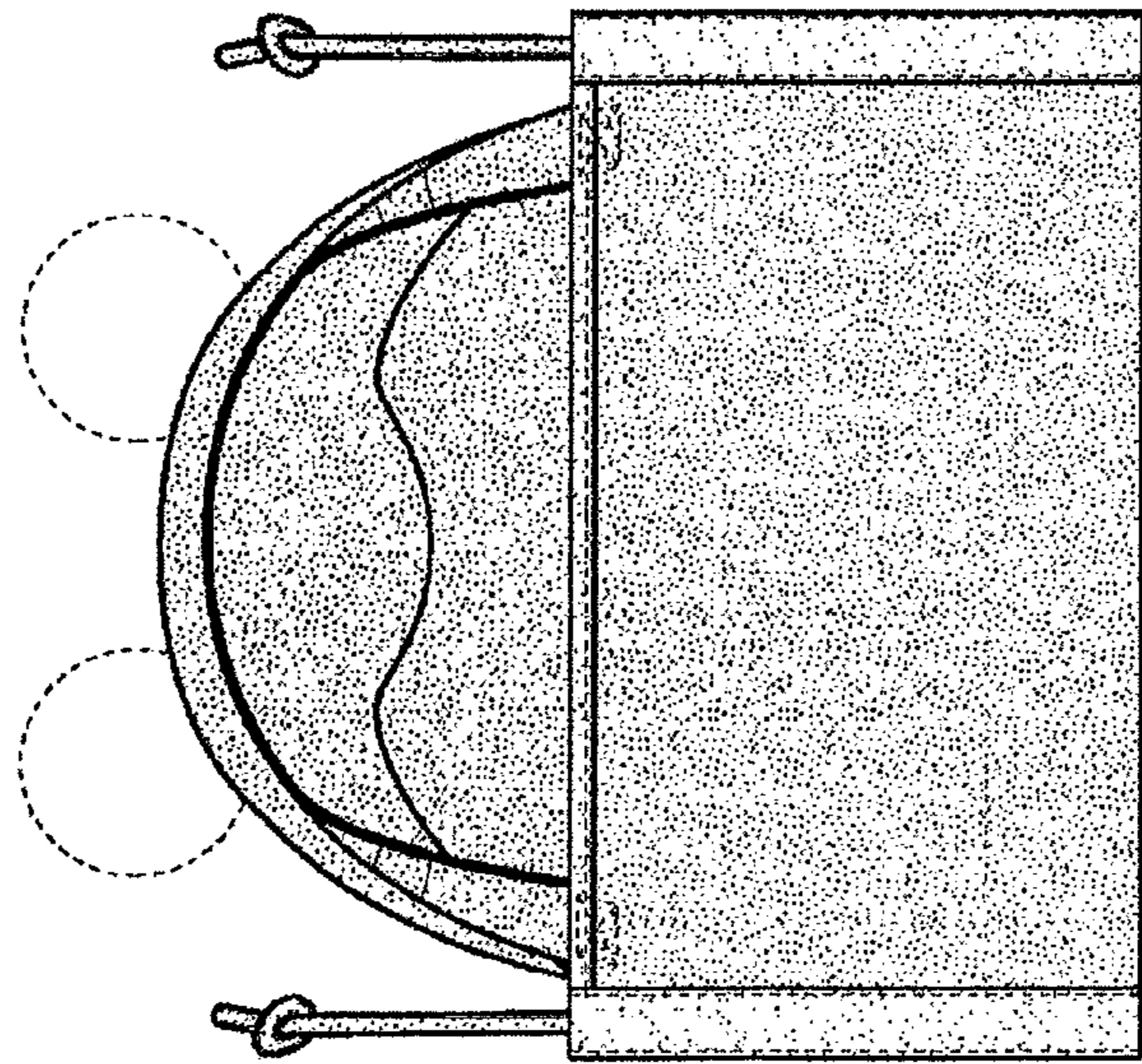


FIG. 12

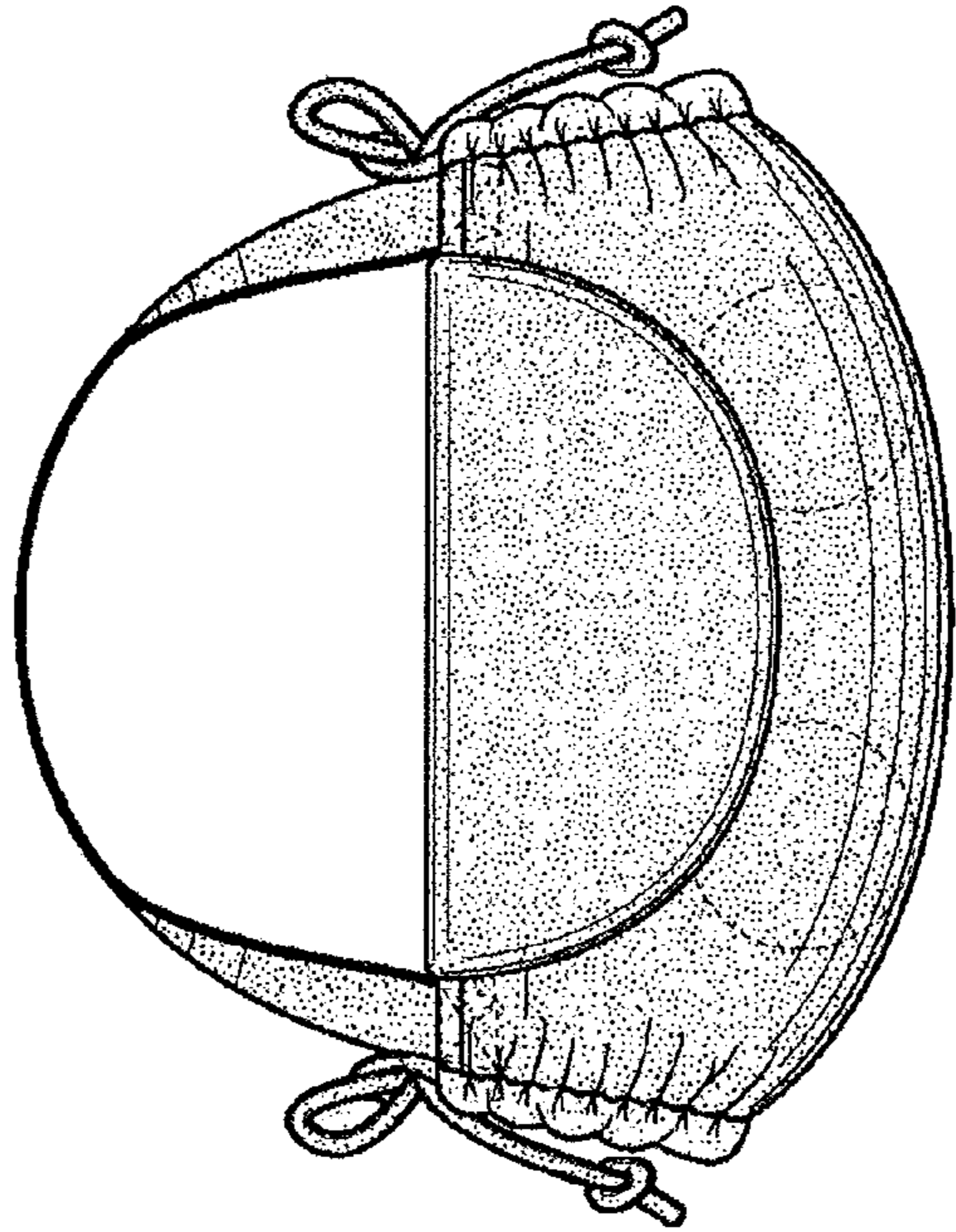


FIG. 13