

US00D760494S

(12) **United States Design Patent**
Harvey-Pankey

(10) **Patent No.:** **US D760,494 S**
(45) **Date of Patent:** **** Jul. 5, 2016**

- (54) **HANDBAG WITH INTERCHANGEABLE COVER**
- (71) Applicant: **Sandra Harvey-Pankey**, Hampton, VA (US)
- (72) Inventor: **Sandra Harvey-Pankey**, Hampton, VA (US)
- (**) Term: **14 Years**
- (21) Appl. No.: **29/517,756**
- (22) Filed: **Feb. 16, 2015**
- (51) **LOC (10) Cl.** **03-01**
- (52) **U.S. Cl.**
USPC **D3/232**
- (58) **Field of Classification Search**
USPC D3/201, 202, 205, 207, 226, 230–234, D3/239–249, 252, 254, 258, 271.1, 273, D3/274, 276, 283, 289, 301, 303; D7/601, D7/607
CPC A45C 1/024; A45C 3/08; A45C 3/06; A45C 3/04; A45C 3/10; A45C 3/12
See application file for complete search history.

D732,350 S *	6/2015	Seiders	D3/246
D732,899 S *	6/2015	Seiders	D3/246
2001/0015248 A1 *	8/2001	McCreery	A45C 3/08 150/104
2007/0163689 A1 *	7/2007	Pace	A45C 3/08 150/105
2008/0196802 A1 *	8/2008	Carlevale	A45C 1/024 150/111
2010/0282379 A1 *	11/2010	Piper	A45C 3/08 150/154
2014/0373985 A1 *	12/2014	Pace	A45C 3/001 150/105

* cited by examiner

Primary Examiner — Susan Bennett Hattan
Assistant Examiner — Jennifer Wright
(74) *Attorney, Agent, or Firm* — Quickpatents; Kevin Prince

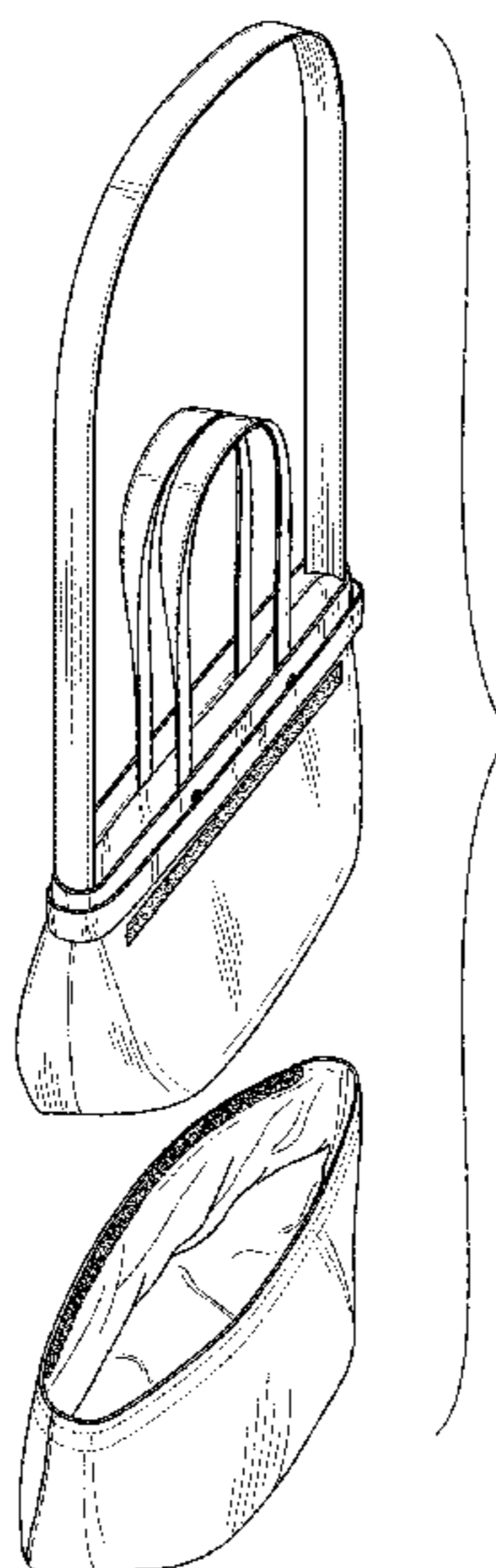
(57) **CLAIM**
I claim the ornamental design for a handbag with interchangeable cover, as shown and described.

DESCRIPTION

FIG. 1 is an exploded perspective view of a handbag with interchangeable cover, showing my new design; FIG. 2 is an exploded front elevational view thereof, the rear elevational view being a mirror image thereof; FIG. 3 is an exploded left-side elevational view thereof, the right-side elevational view being a mirror image thereof; FIG. 4 is a perspective view thereof; FIG. 5 is a front elevational view thereof, the rear elevational view being a mirror image thereof; FIG. 6 is a left-side elevational view thereof, the right-side elevational view being a mirror image thereof; FIG. 7 is a top plan view thereof; and, FIG. 8 is a bottom plan view thereof. The broken lines represent stitching and form part of the claimed design.

1 Claim, 5 Drawing Sheets

- (56) **References Cited**
U.S. PATENT DOCUMENTS
- | | | | | |
|----------------|---------|-------------|-------|----------------------|
| D41,482 S * | 6/1911 | Stember | | D3/241 |
| D670,908 S * | 11/2012 | Guyon | | D3/245 |
| D688,453 S * | 8/2013 | Della Valle | | D3/246 |
| D694,006 S * | 11/2013 | Della Valle | | D3/245 |
| 8,622,235 B2 * | 1/2014 | Suchecky | | F25D 3/08
220/528 |
| D703,432 S * | 4/2014 | Della Valle | | D3/245 |
| D713,640 S * | 9/2014 | Mayo | | D3/232 |
| D724,318 S * | 3/2015 | Myer | | D3/233 |
| D730,043 S * | 5/2015 | Morelli | | D3/245 |
| D732,348 S * | 6/2015 | Seiders | | D3/246 |
| D732,349 S * | 6/2015 | Seiders | | D3/246 |



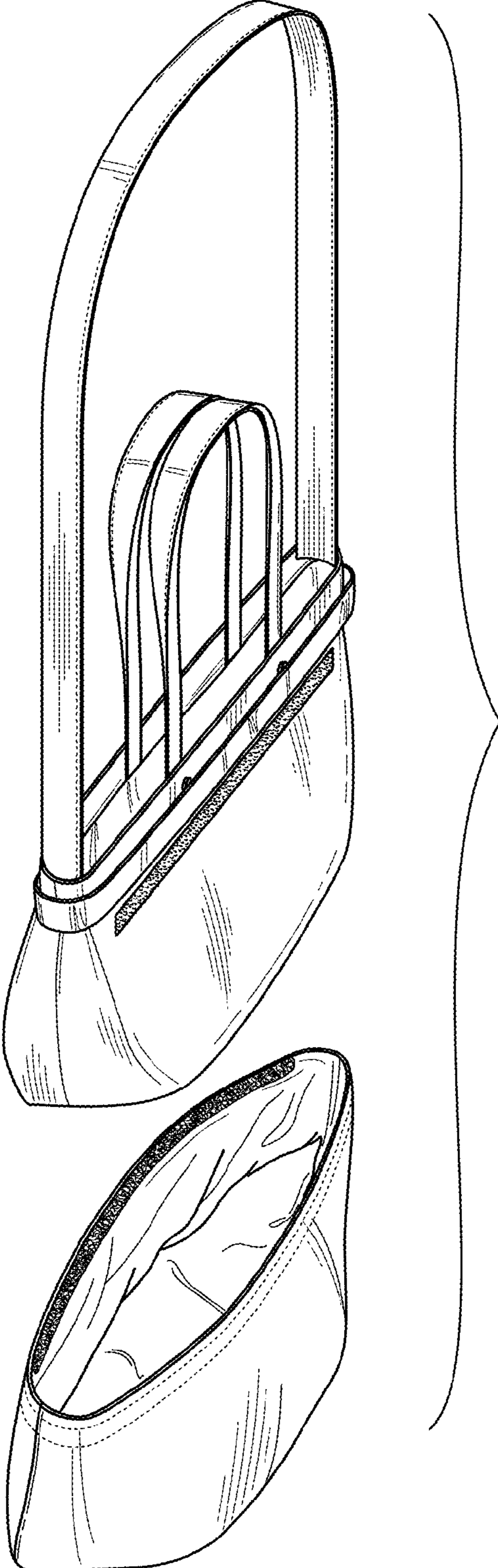


FIG. 1

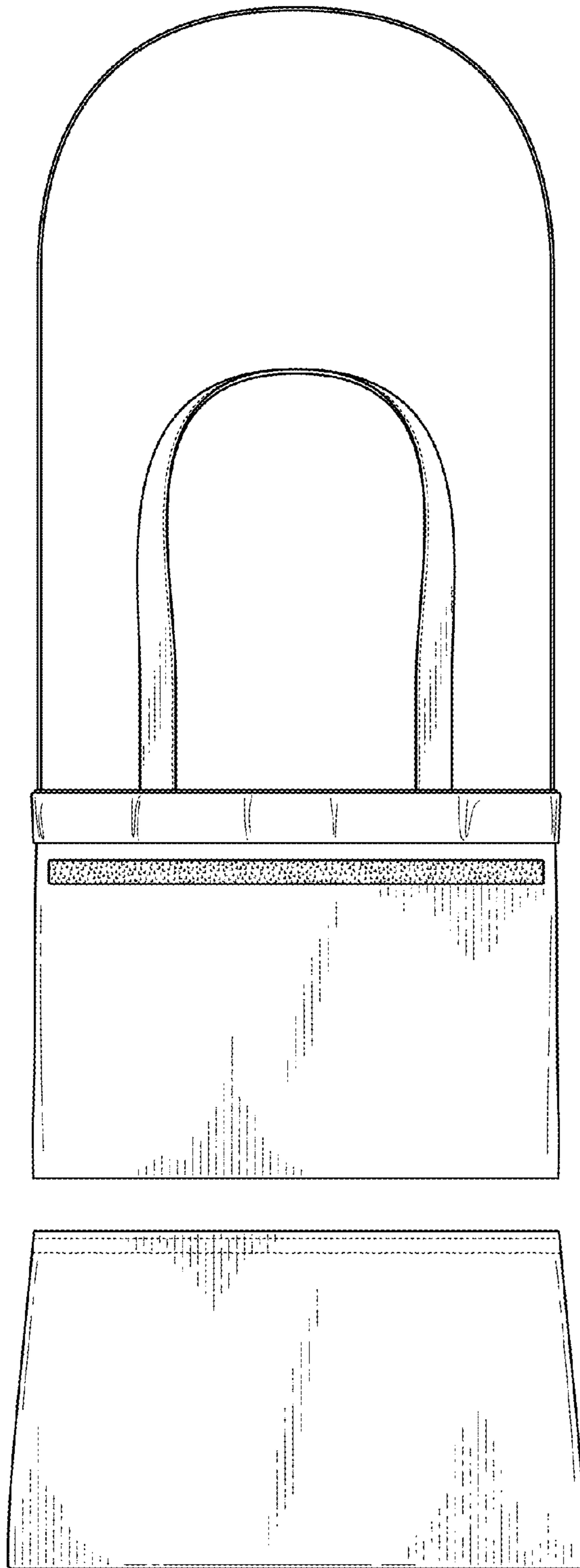


FIG. 2

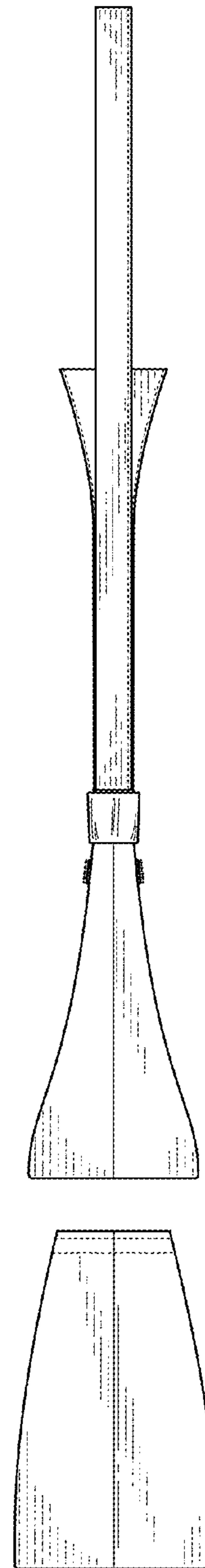


FIG. 3

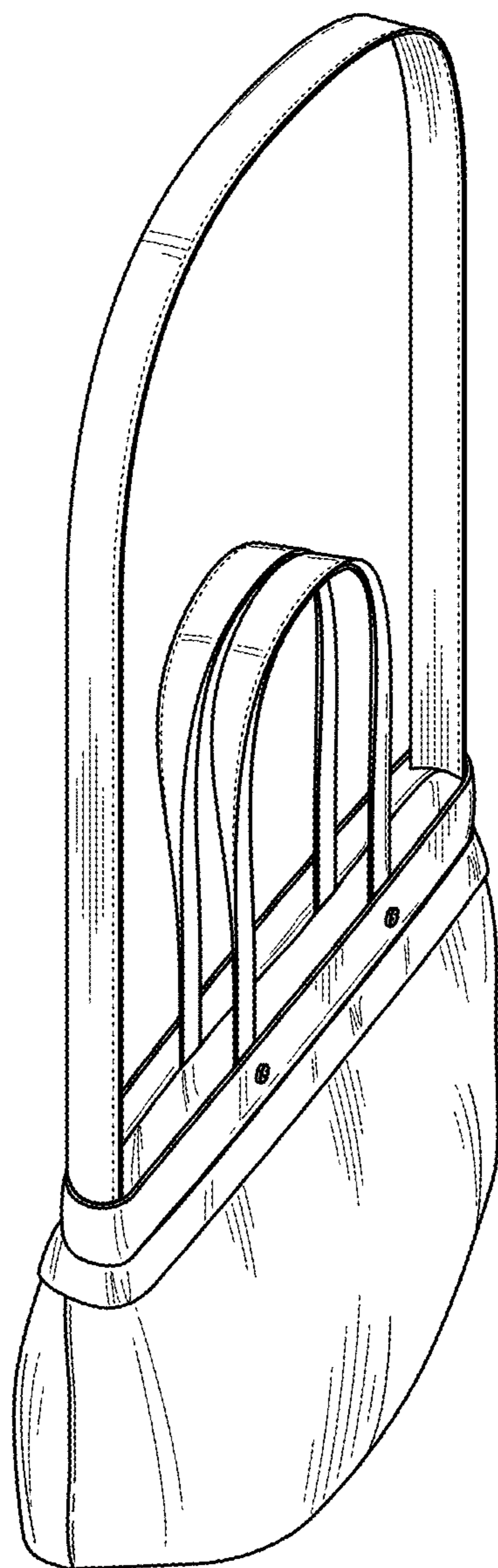


FIG. 4

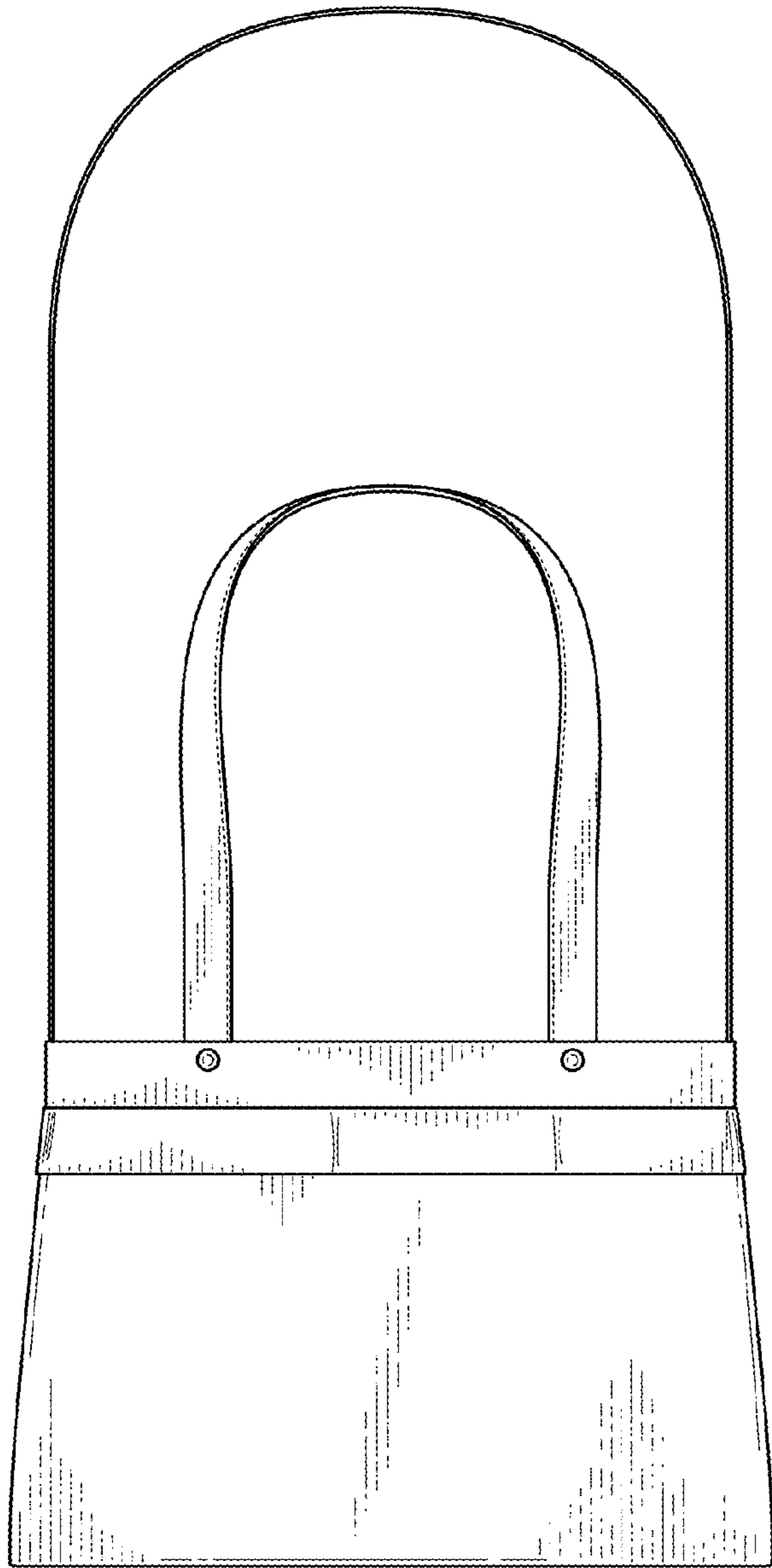


FIG. 5

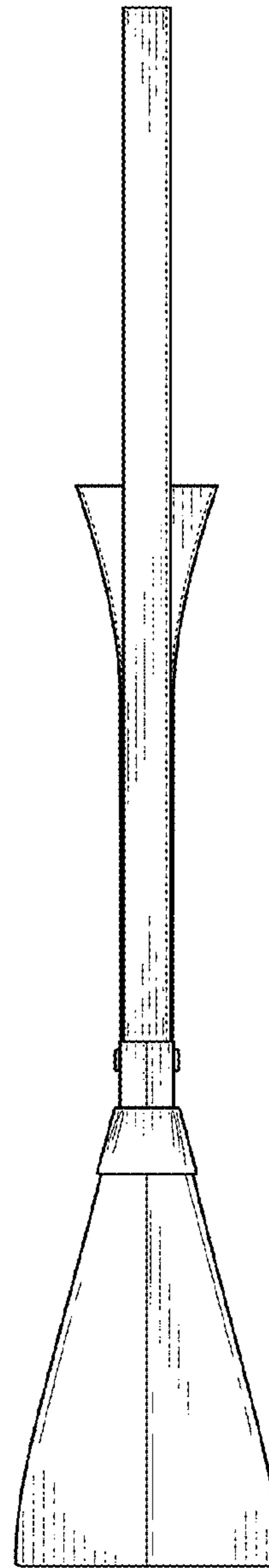


FIG. 6

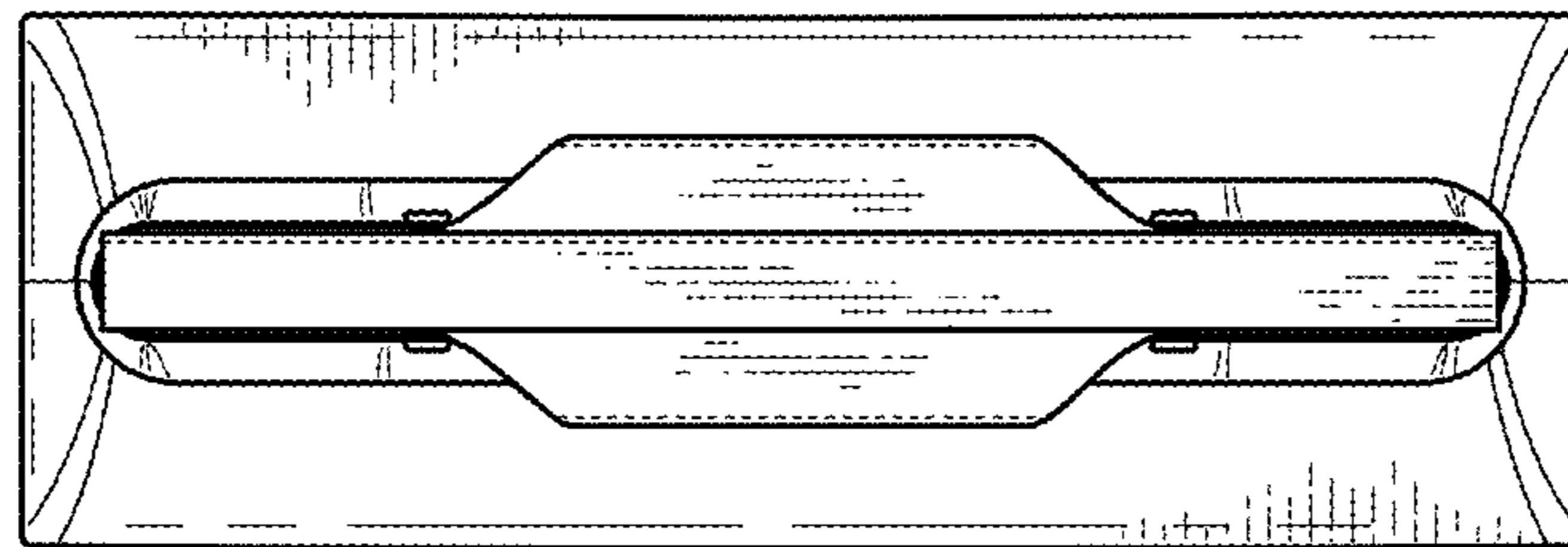


FIG. 7

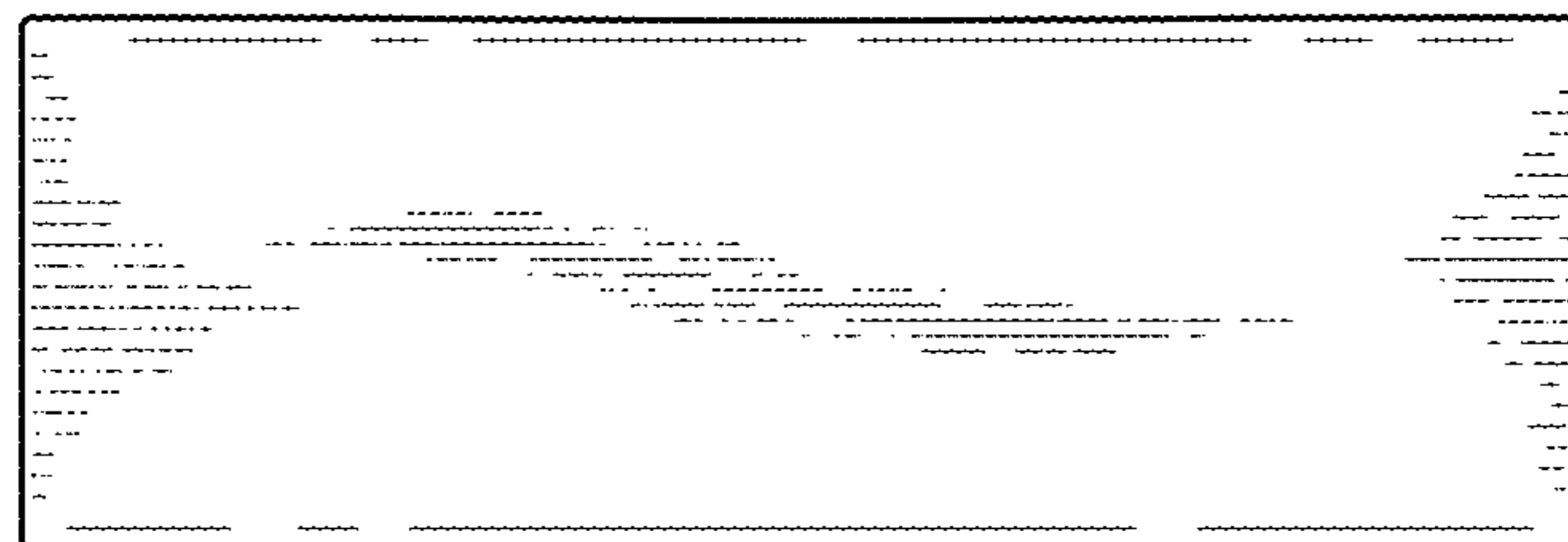


FIG. 8