

US00D760492S

(12) **United States Design Patent**  
**Chang**

(10) **Patent No.:** **US D760,492 S**  
(45) **Date of Patent:** **\*\* Jul. 5, 2016**

(54) **BUCKLE**

(56) **References Cited**

(71) Applicant: **HON HAI PRECISION INDUSTRY CO., LTD.**, New Taipei (TW)

U.S. PATENT DOCUMENTS

(72) Inventor: **Yin-Li Chang**, New Taipei (TW)

D504,767 S *	5/2005	DiMarchi	.....	D3/208
D505,257 S *	5/2005	DiMarchi	.....	D3/208
D527,891 S *	9/2006	Hoeksema	.....	D3/207
D672,279 S *	12/2012	Kalbach	.....	D11/201
D715,042 S *	10/2014	Oas	.....	D3/215

(73) Assignee: **HON HAI PRECISION INDUSTRY CO., LTD.**, New Taipei (TW)

\* cited by examiner

(\*\*) Term: **14 Years**

*Primary Examiner* — Catheri Oliver-Garcia  
(74) *Attorney, Agent, or Firm* — ScienBiziP, P.C.

(21) Appl. No.: **29/513,365**

(57) **CLAIM**  
The ornamental design for a buckle, as shown and described.

(22) Filed: **Dec. 30, 2014**

**DESCRIPTION**

(51) **LOC (10) Cl.** ..... **03-01**

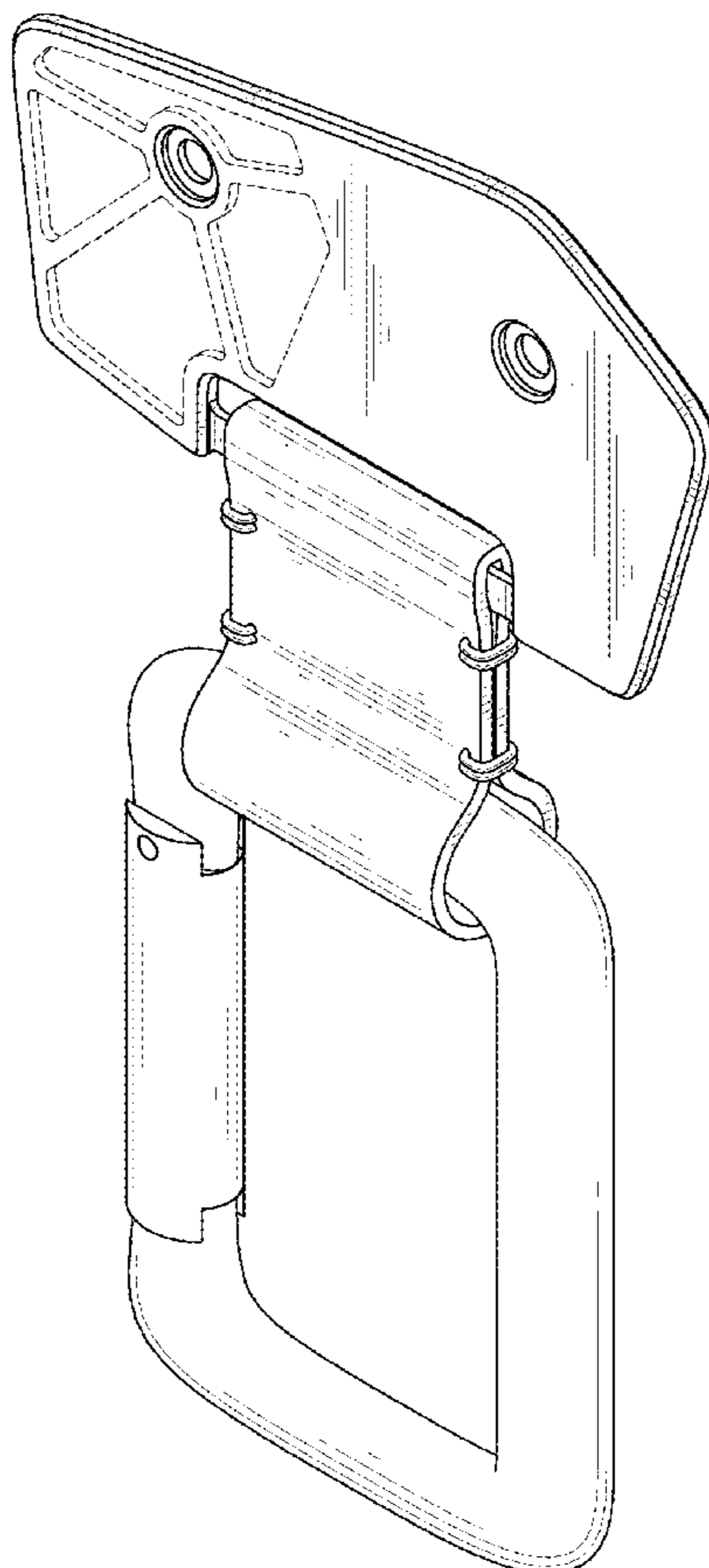
(52) **U.S. Cl.**  
USPC ..... **D3/218**

(58) **Field of Classification Search**  
USPC ..... D3/218, 215, 228, 207–212;  
D11/200–201; 224/240–241, 245  
CPC ..... A45C 11/182; A45F 5/00; A45F 5/02;  
A45F 5/021; A45F 5/022; A45F 2005/00;  
A45F 2005/008; A45F 2005/02; A45F  
2200/05; A45F 2200/0516; A45F 2005/006

FIG. 1 is a perspective view of a buckle showing our new design;  
FIG. 2 is a front elevational view thereof;  
FIG. 3 is a rear elevational view thereof;  
FIG. 4 is a right-side elevational view thereof;  
FIG. 5 is a left-side elevational view thereof;  
FIG. 6 is a top plan view thereof; and,  
FIG. 7 is a bottom plan view thereof.  
The broken lines in the drawings are employed to show unclaimed portions of the buckle, and form no part of the claimed design.

See application file for complete search history.

**1 Claim, 7 Drawing Sheets**



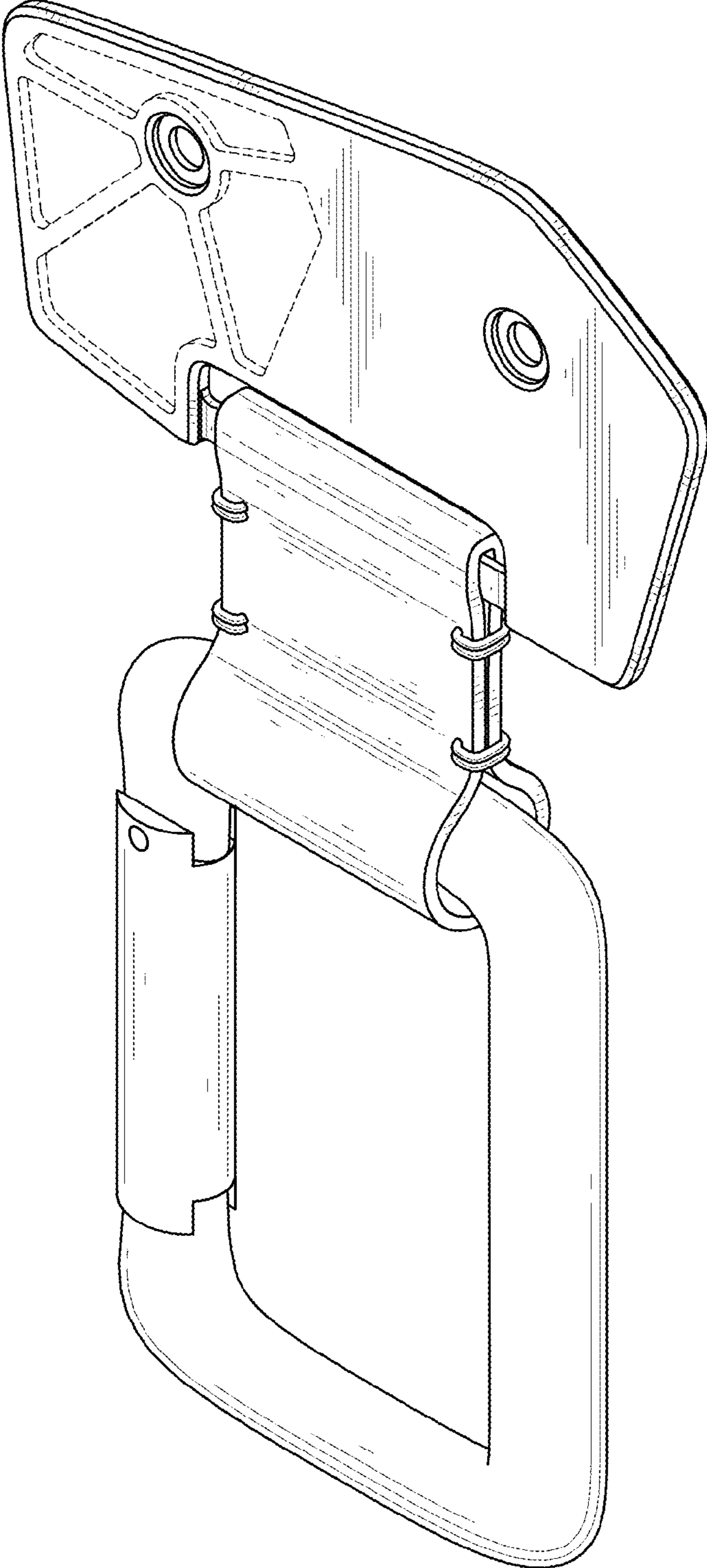


FIG. 1

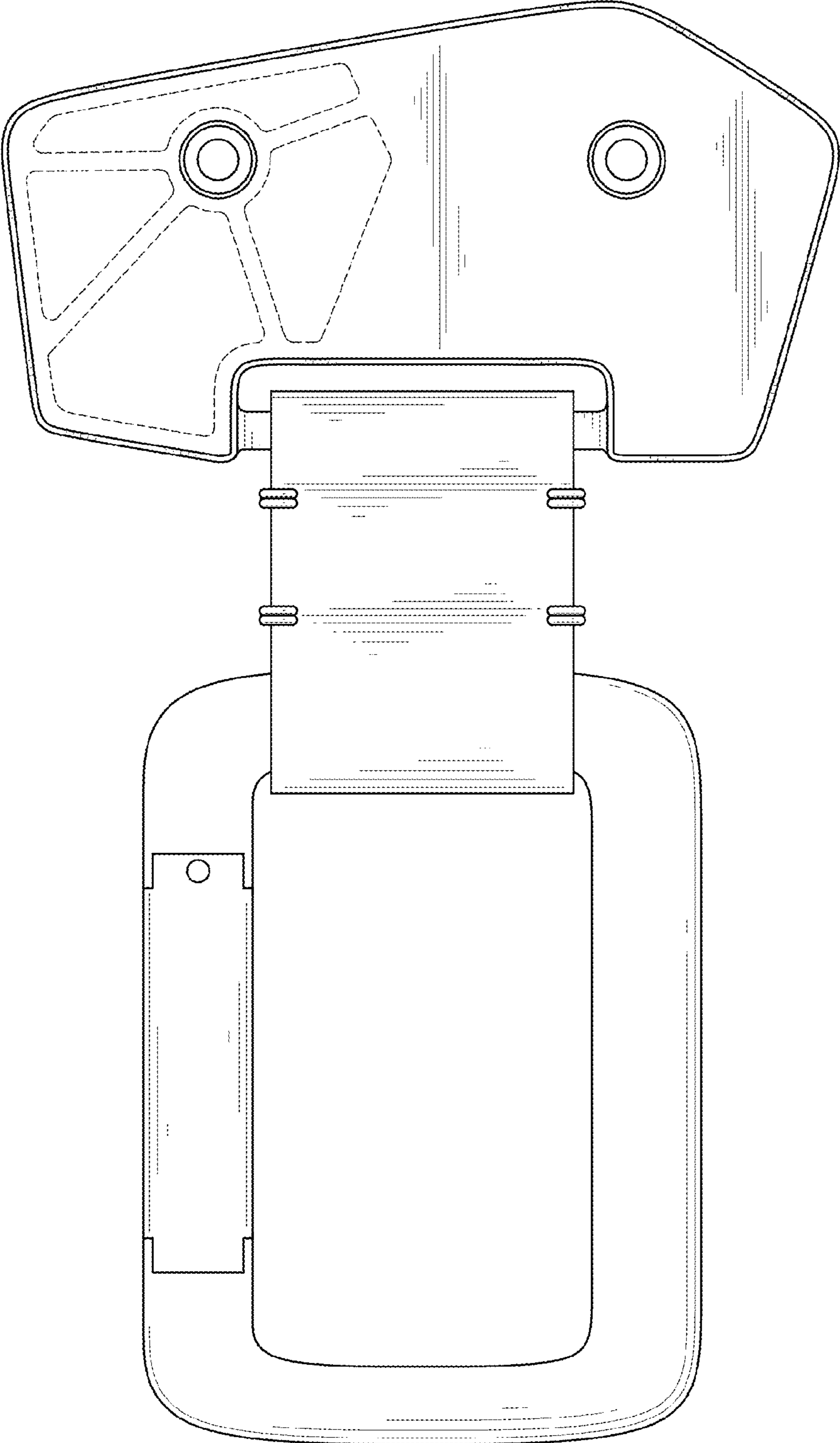


FIG. 2

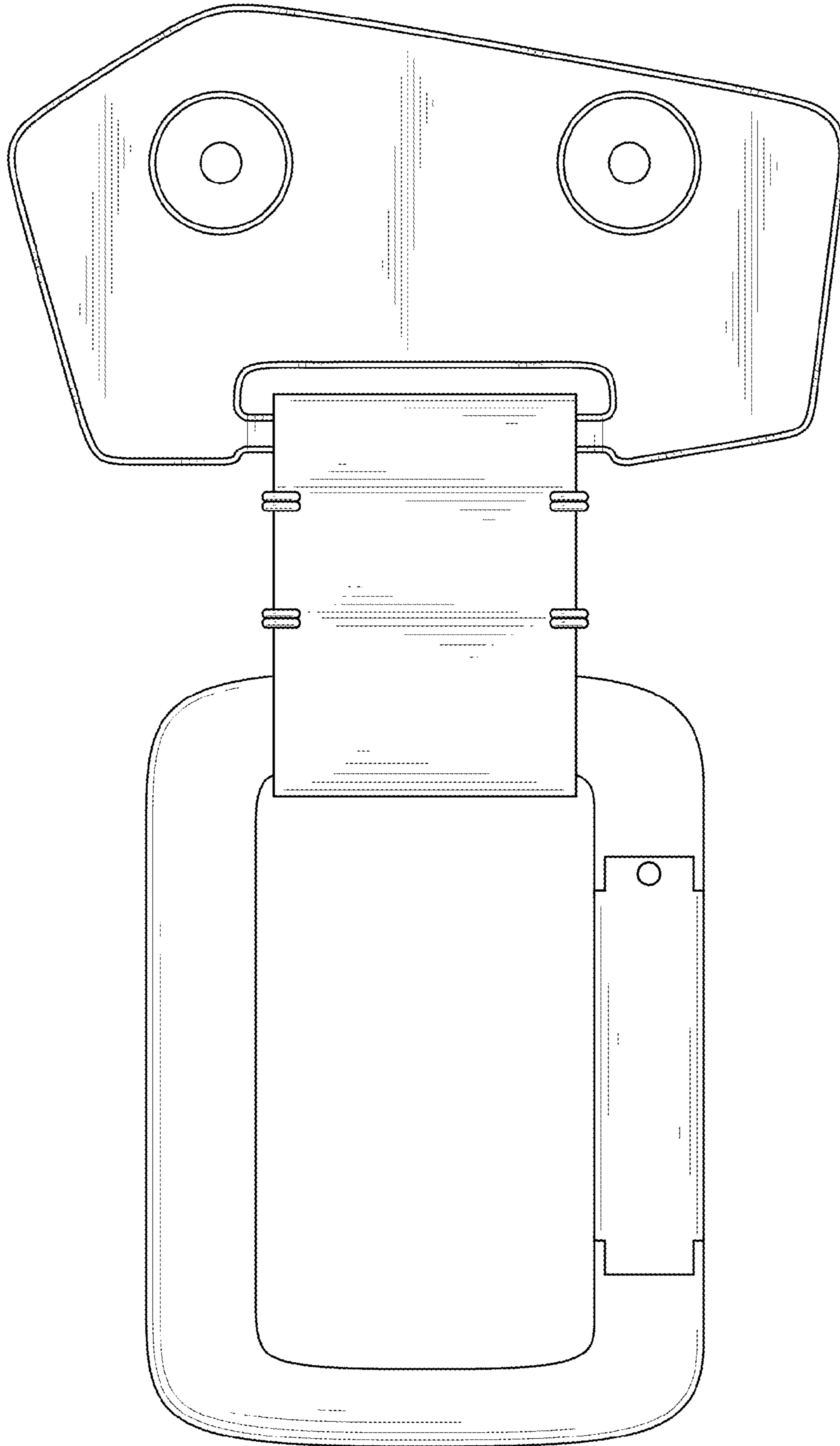


FIG. 3

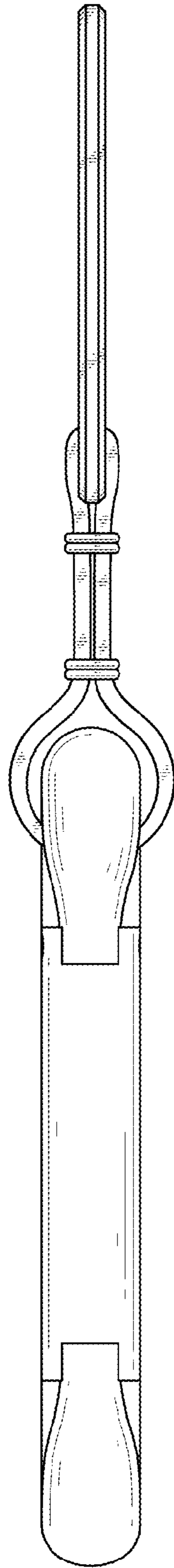


FIG. 4

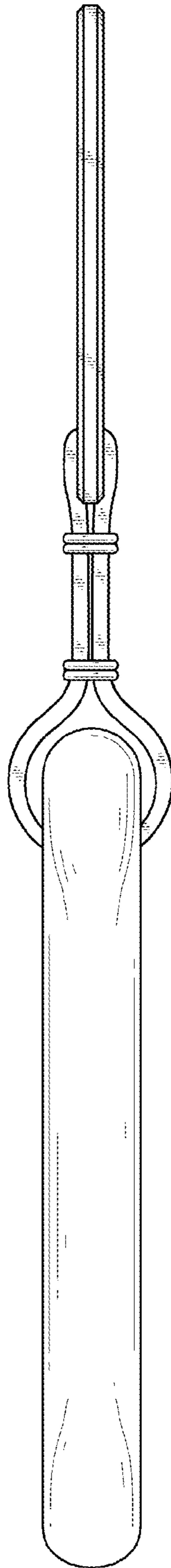


FIG. 5

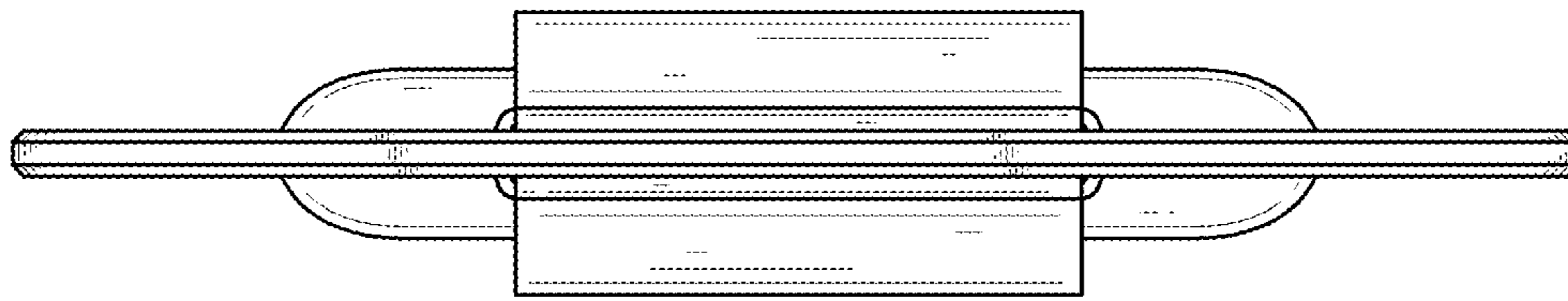


FIG. 6

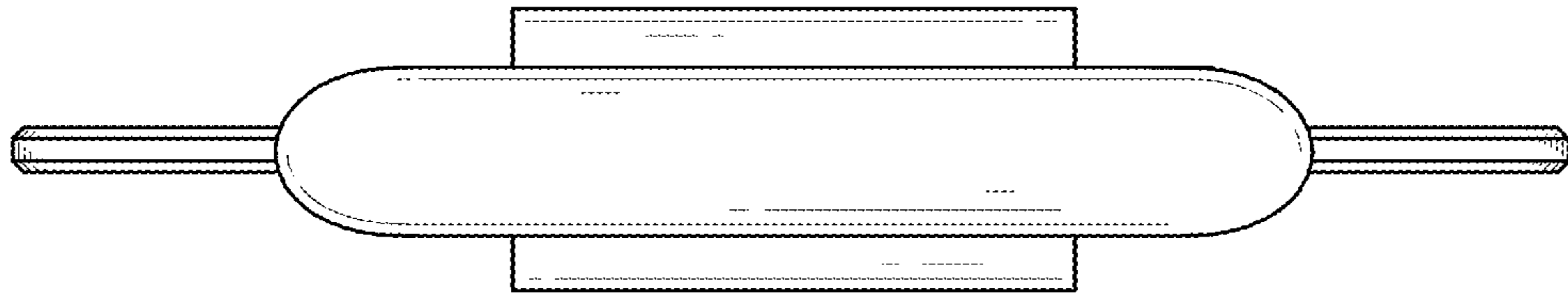


FIG. 7