



US00D760491S

(12) **United States Design Patent**  
**Crowley, III**

(10) **Patent No.:** **US D760,491 S**  
(45) **Date of Patent:** **\*\* Jul. 5, 2016**

(54) **UNIVERSAL HOLDER FOR AN ELECTRONIC SMOKING DEVICE**

(71) Applicant: **Andrew E. Crowley, III**, Milwaukee, WI (US)

(72) Inventor: **Andrew E. Crowley, III**, Milwaukee, WI (US)

(\*\*) Term: **15 Years**

(21) Appl. No.: **29/527,333**

(22) Filed: **May 18, 2015**

(51) **LOC (10) Cl.** ..... **03-01**

(52) **U.S. Cl.**  
USPC ..... **D3/215; D27/183**

(58) **Field of Classification Search**  
USPC ..... D27/183, 180, 181, 167, 172, 175, 177, D27/178, 182, 194; D16/339; D3/207-212, D3/215, 228, 266  
CPC ..... A24F 13/02; A24F 13/08; A24F 13/12; A24F 13/22

See application file for complete search history.

(56) **References Cited**

**U.S. PATENT DOCUMENTS**

D185,852 S *	8/1959	McFadyen	351/157
D485,981 S *	2/2004	Romero	D3/215
D514,311 S *	2/2006	Cetera	D3/215
D518,595 S *	4/2006	Morganfield, Jr.	D27/161
D608,541 S *	1/2010	Myers	D3/215
D642,376 S *	8/2011	Pennington	D3/215
D643,212 S *	8/2011	Rathbun	D3/266
D663,476 S *	7/2012	Kelly	D27/183
D667,215 S *	9/2012	DeGrouchy	D3/208
D675,009 S *	1/2013	Votel	D3/215
D692,614 S *	10/2013	Robinson	D27/183

D695,514 S *	12/2013	Young	D3/215
D700,396 S *	2/2014	Ahmet	D27/161
D707,957 S *	7/2014	Oas	D3/215
D735,935 S *	8/2015	Burrell	D27/183
D742,764 S *	11/2015	Steib	D10/122
D749,781 S *	2/2016	Lane	D27/183
D751,250 S *	3/2016	Vuong	D27/183
D751,755 S *	3/2016	Van Riper	D12/223
2012/0145168 A1 *	6/2012	Lin	A24F 13/08 131/186
2015/0327594 A1 *	11/2015	McClure	A24F 13/02 131/187

\* cited by examiner

*Primary Examiner* — Susan Bennett Hattan

*Assistant Examiner* — Janice Hallmark

(74) *Attorney, Agent, or Firm* — Ziolkowski Patent Solutions Group, SC

(57) **CLAIM**

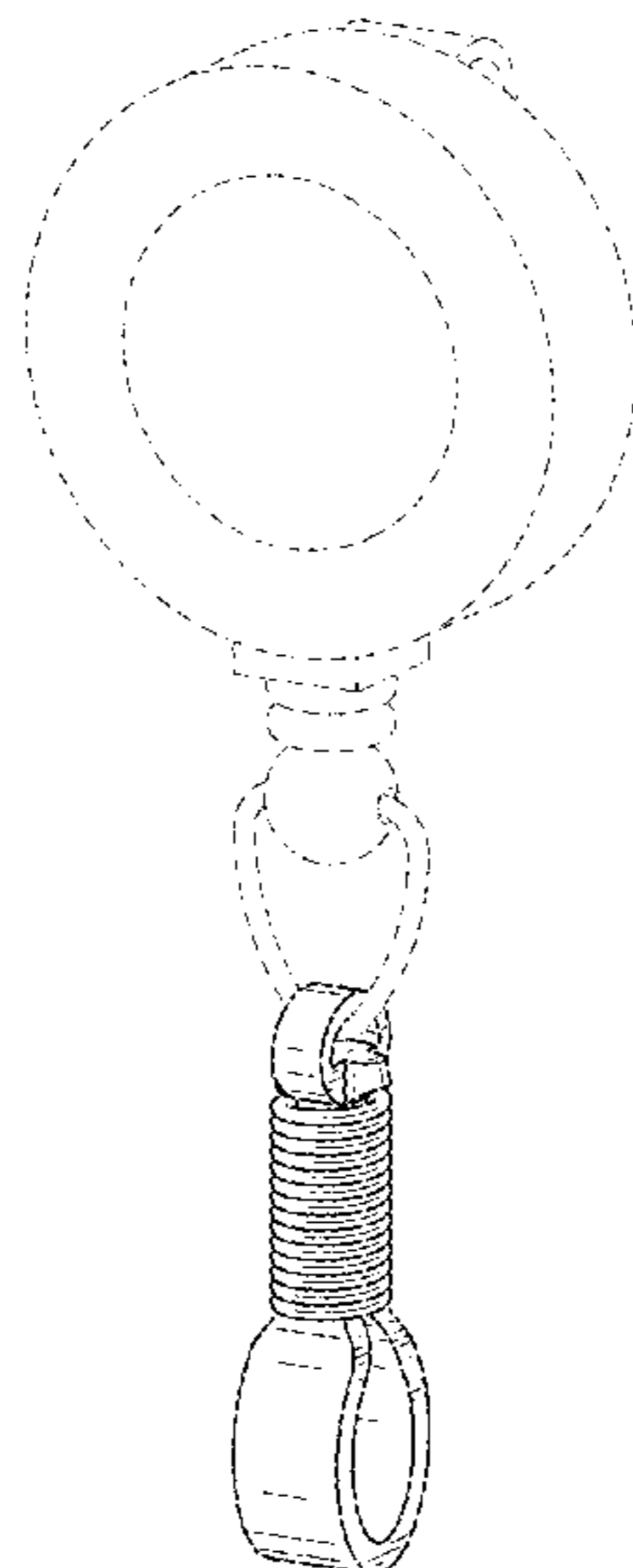
The ornamental design for a universal holder for an electronic smoking device, as shown and described.

**DESCRIPTION**

FIG. 1 is a perspective view of a universal holder for an electronic smoking device;  
FIG. 2 is a top view thereof;  
FIG. 3 is a bottom view thereof;  
FIG. 4 is a left side view thereof;  
FIG. 5 is a right side view thereof;  
FIG. 6 is a back view thereof;  
FIG. 7 is a front view thereof; and,  
FIG. 8 is a perspective view of a universal holder for an electronic smoking device.

The broken lines in the drawings depict environmental subject matter only and form no part of the claimed design.

**1 Claim, 4 Drawing Sheets**



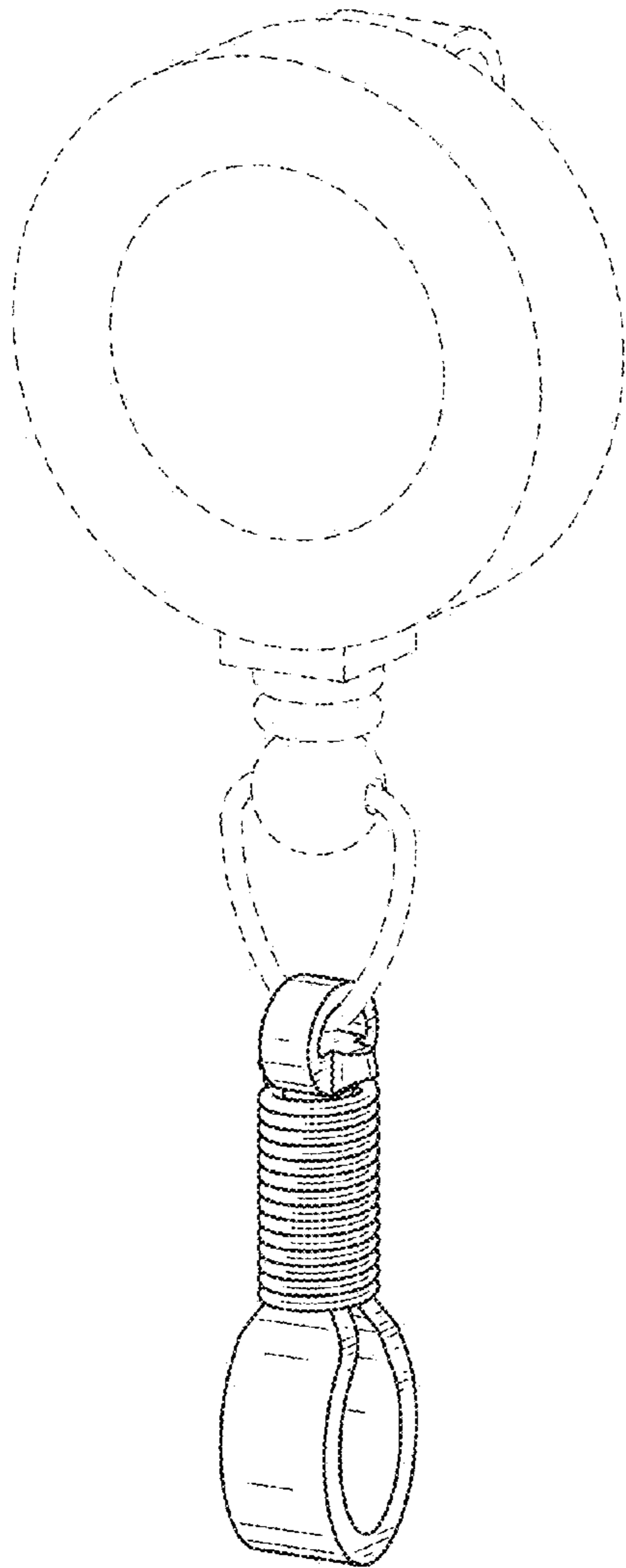


FIG. 1

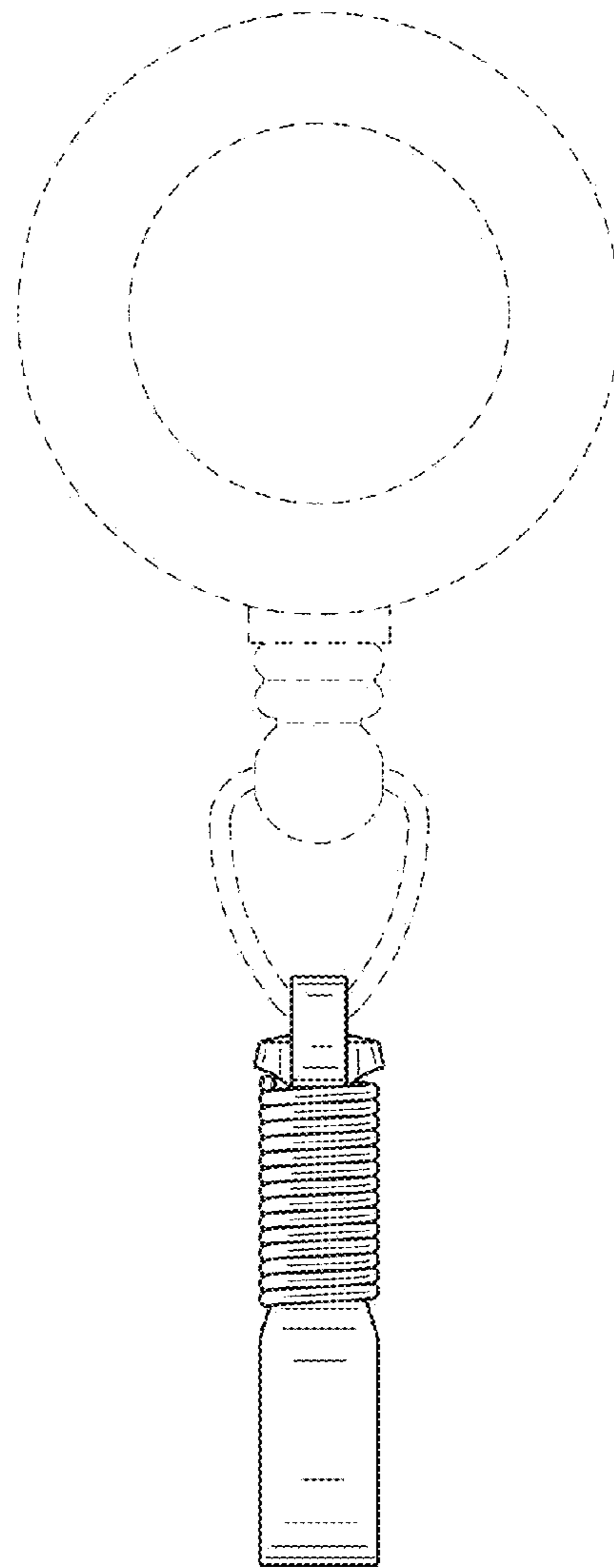


FIG. 2

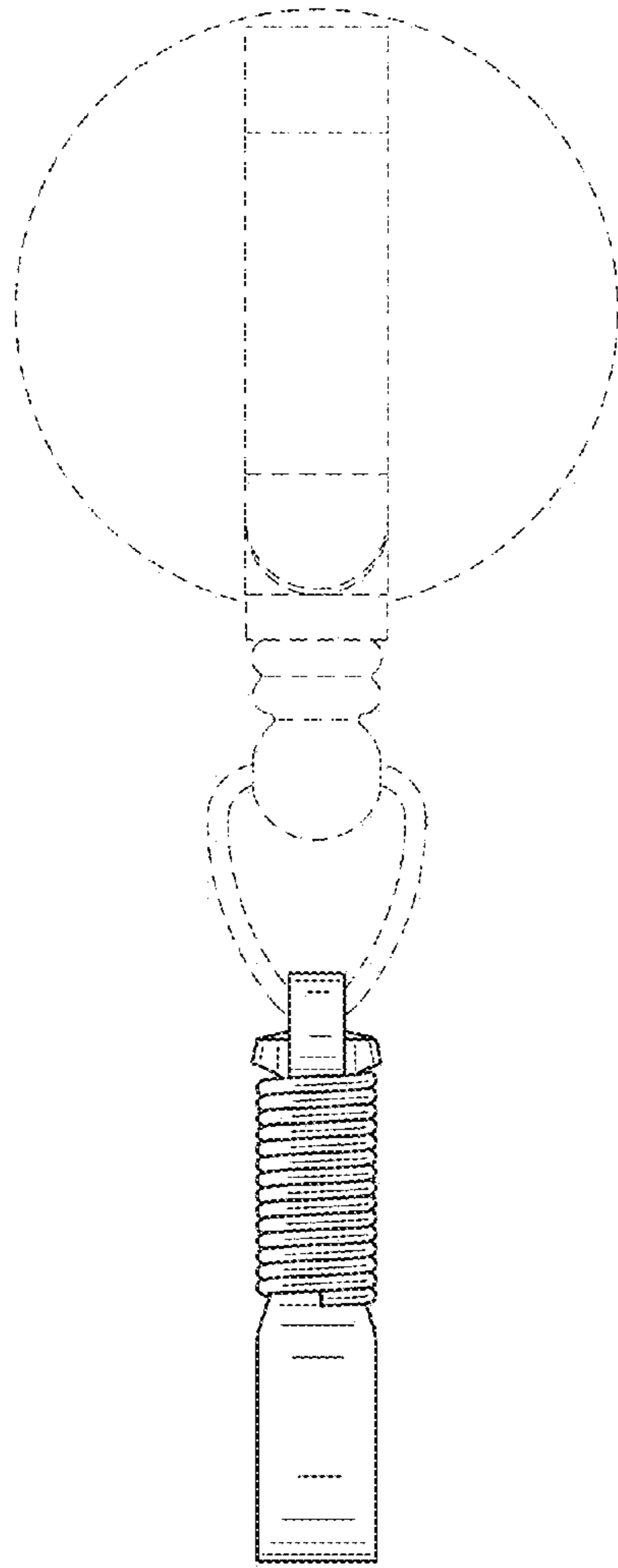


FIG. 3

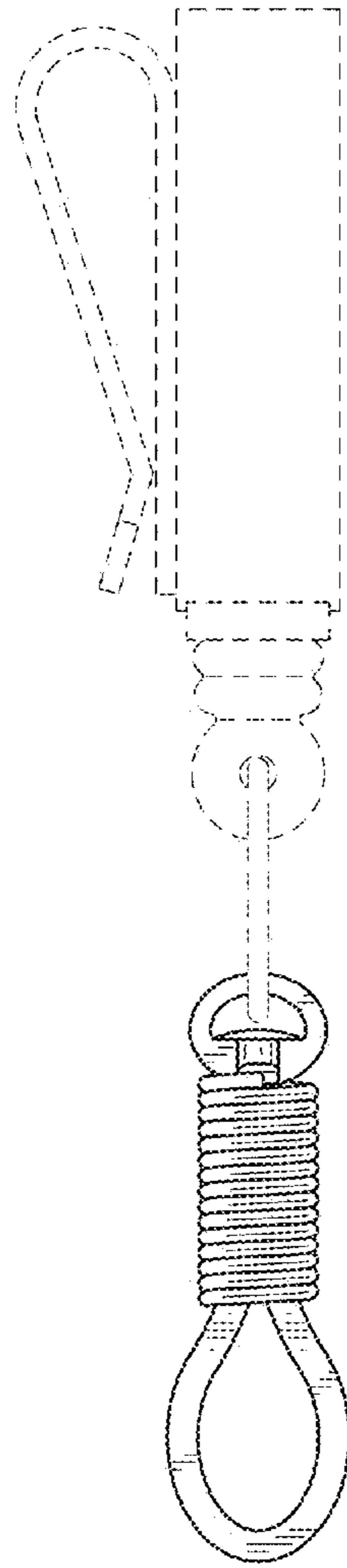


FIG. 4

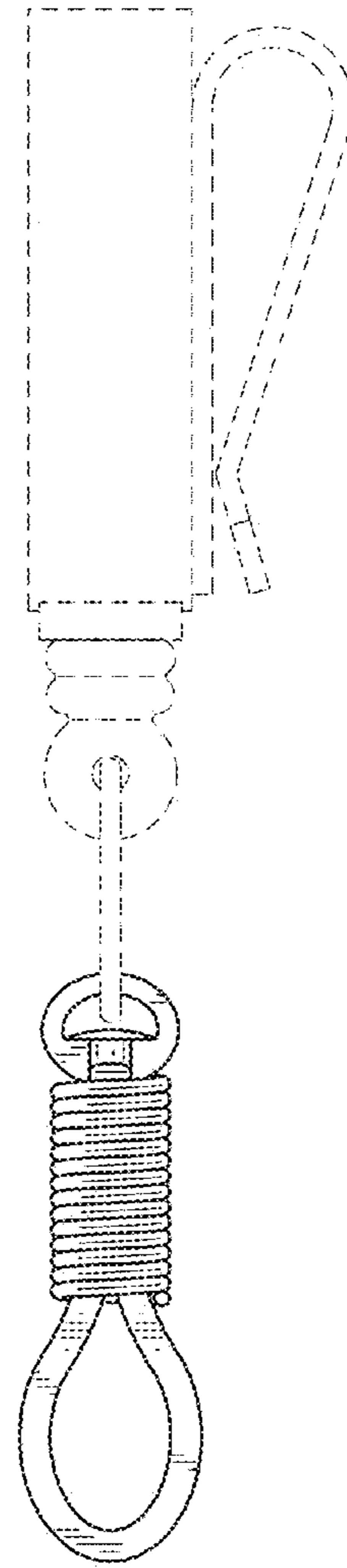


FIG. 5

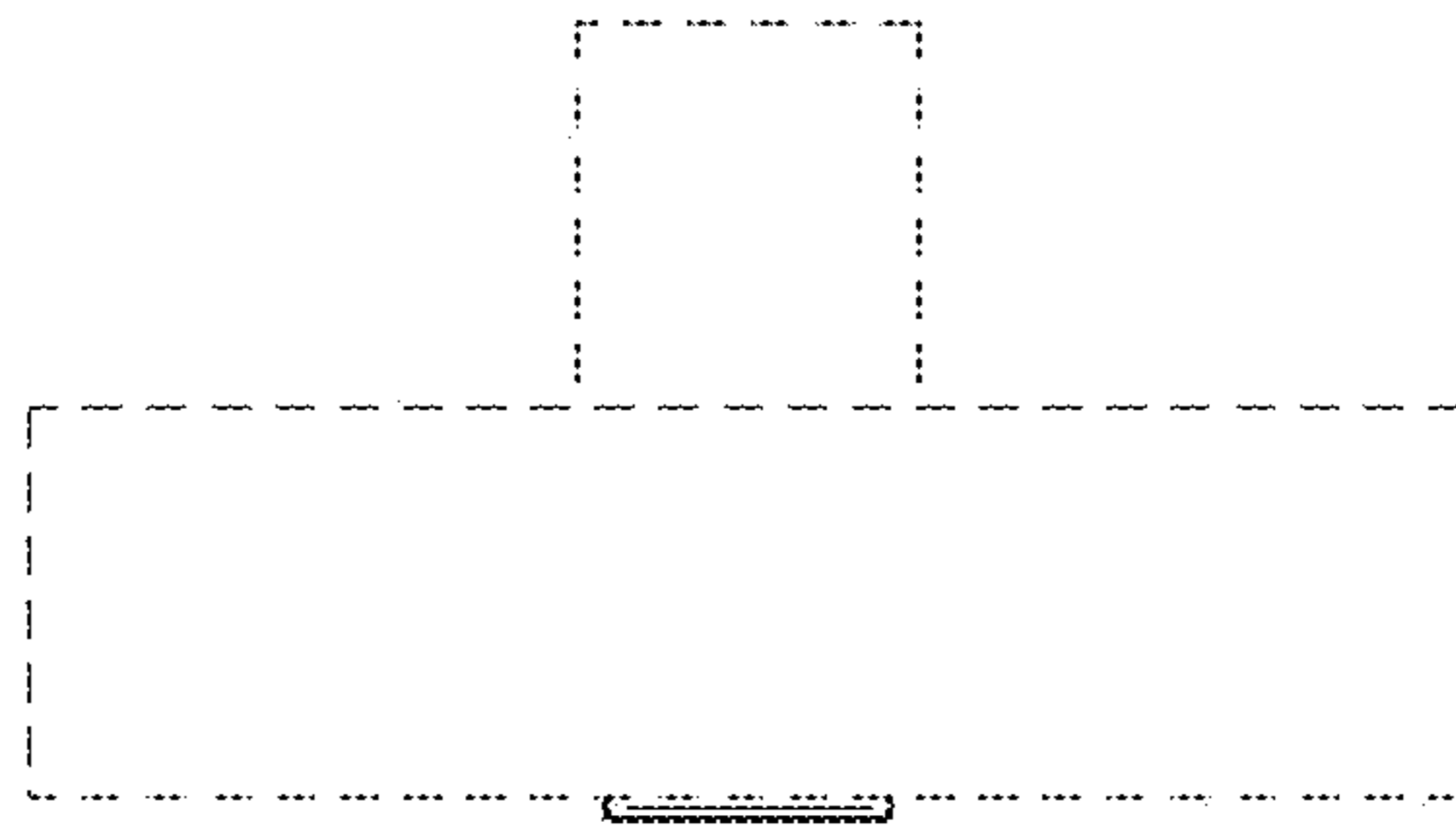


FIG. 6

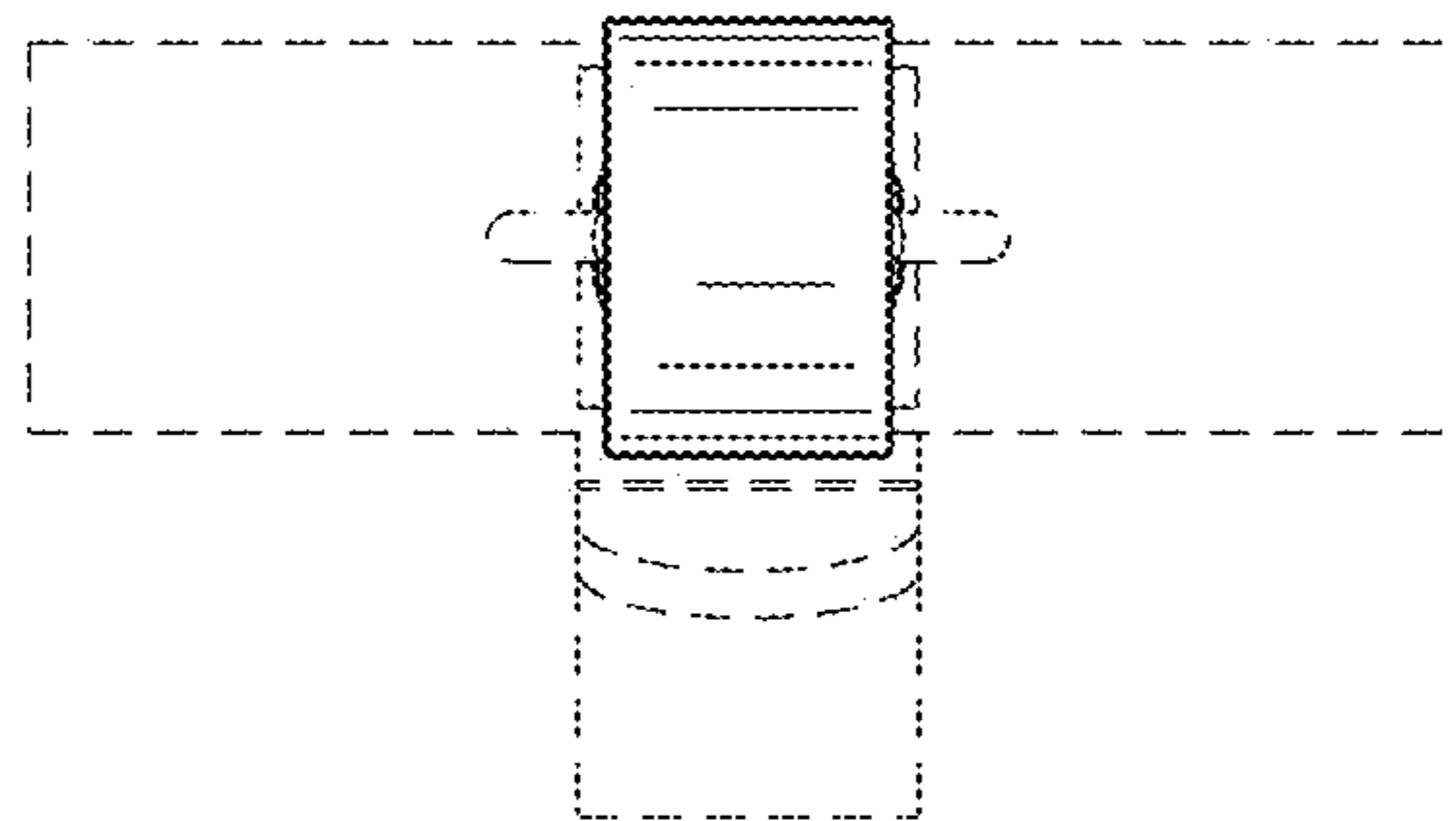


FIG. 7

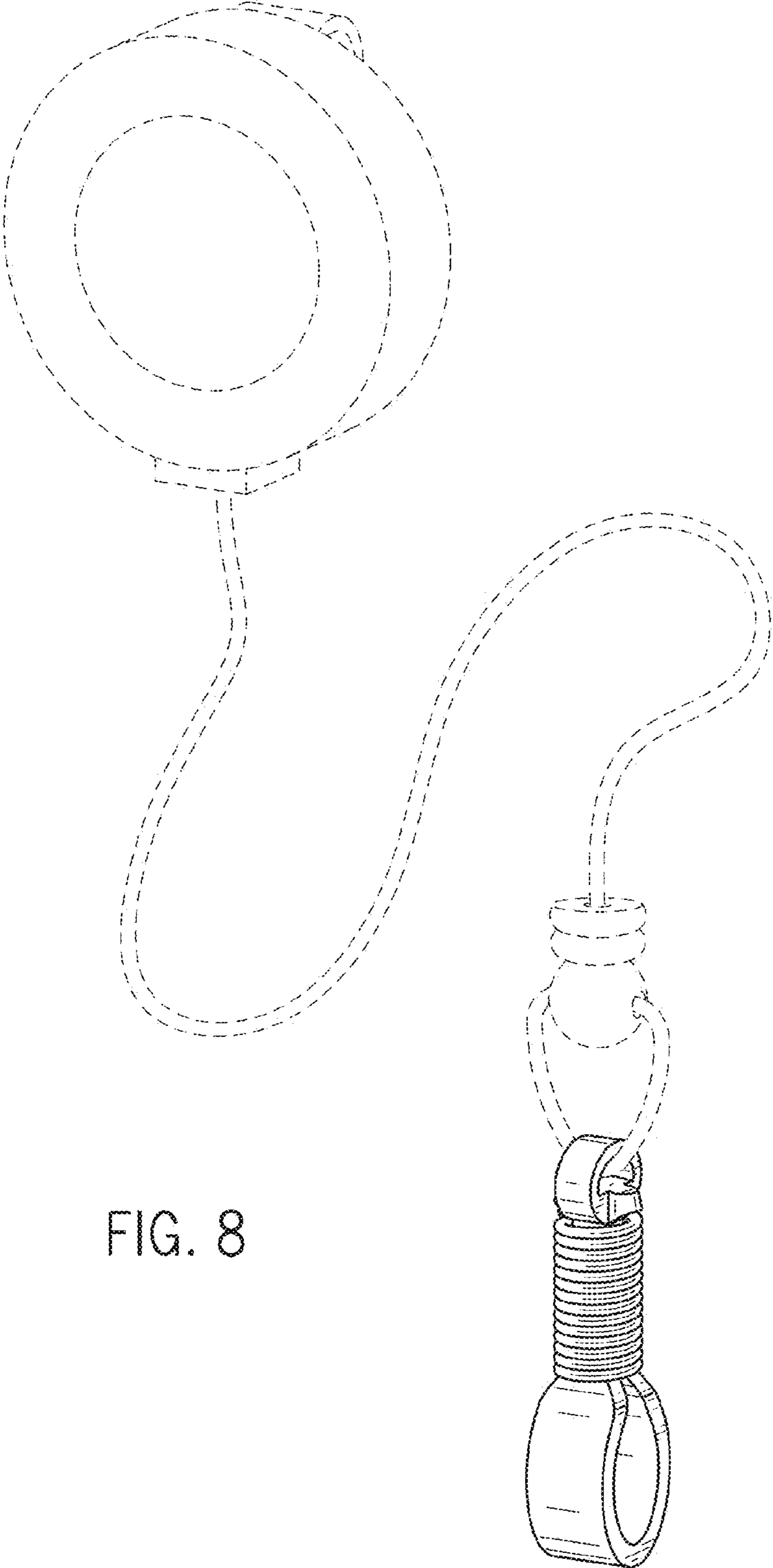


FIG. 8