

US00D760489S

(12) **United States Design Patent**
De La Torre et al.

(10) **Patent No.:** **US D760,489 S**
(45) **Date of Patent:** **** Jul. 5, 2016**

(54) **PORTABLE MEDICINE STORAGE CONTAINER**

D650,629 S * 12/2011 Gilbert D7/392.1
D688,912 S * 9/2013 Rosbach D7/392.1
D697,301 S * 1/2014 Barbour, Jr. D3/203.1
D728,783 S * 5/2015 Logue D24/121

(71) Applicants: **Heather De La Torre**, Bluffton, SC
(US); **Paul De La Torre**, Bluffton, SC
(US)

* cited by examiner

(72) Inventors: **Heather De La Torre**, Bluffton, SC
(US); **Paul De La Torre**, Bluffton, SC
(US)

Primary Examiner — Catheri Oliver-Garcia
(74) *Attorney, Agent, or Firm* — Larson & Larson, P.A.;
Justin P. Miller; Patrick A. Reid

(**) Term: **14 Years**

(21) Appl. No.: **29/518,323**

(57) **CLAIM**
We claim the ornamental design for a portable medication storage container, as shown and described.

(22) Filed: **Feb. 23, 2015**

(51) **LOC (10) Cl.** **03-01**

(52) **U.S. Cl.**
USPC **D3/203.1**

DESCRIPTION

(58) **Field of Classification Search**
USPC D3/201–205; D7/392.1, 396.2, 510,
D7/901; D9/446, 453; 220/254.4, 259.1,
220/521, 523, 709; D24/121, 224
CPC A45F 3/18; A47G 19/2266; B65D 47/006;
B65D 47/065
See application file for complete search history.

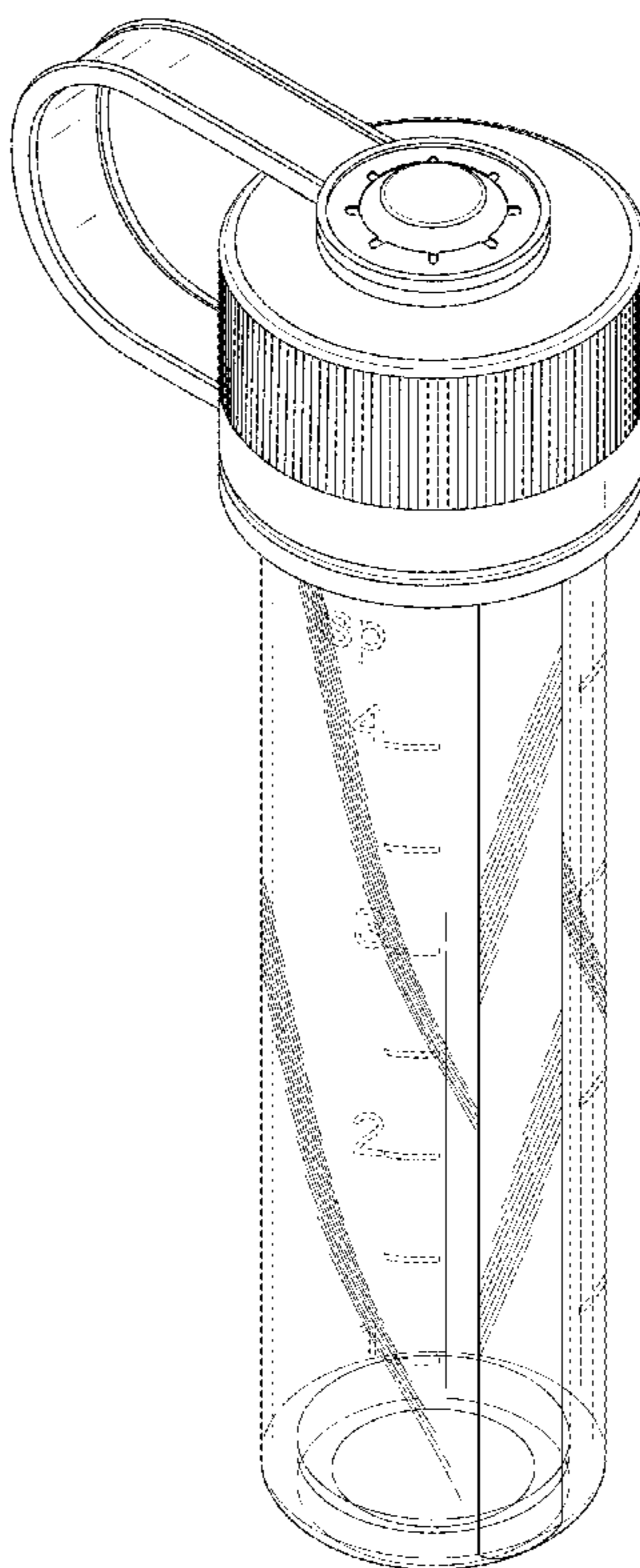
FIG. 1 is a perspective view of a portable medication storage container showing my new design;
FIG. 2 is a front elevation view thereof;
FIG. 3 is a rear elevation view thereof;
FIG. 4 is a left elevation view thereof;
FIG. 5 is a right elevation thereof;
FIG. 6 is a top view thereof; and,
FIG. 7 is a bottom view thereof.
The broken lines showing volume measurements are included for the purpose of illustrating environmental structure and form no part of the claimed design.

(56) **References Cited**

U.S. PATENT DOCUMENTS

D510,235 S * 10/2005 Sorensen D7/510
D528,862 S * 9/2006 Li D7/510

1 Claim, 6 Drawing Sheets



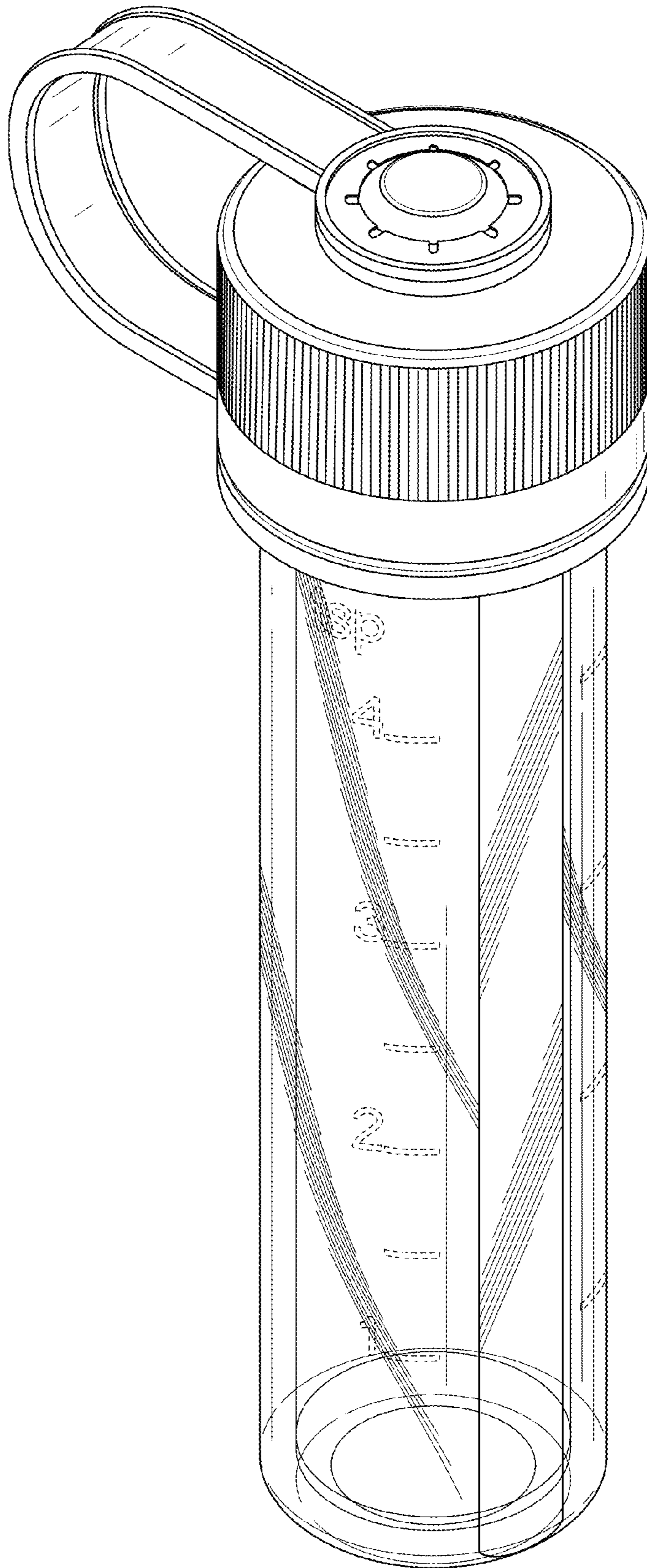


FIG. 1

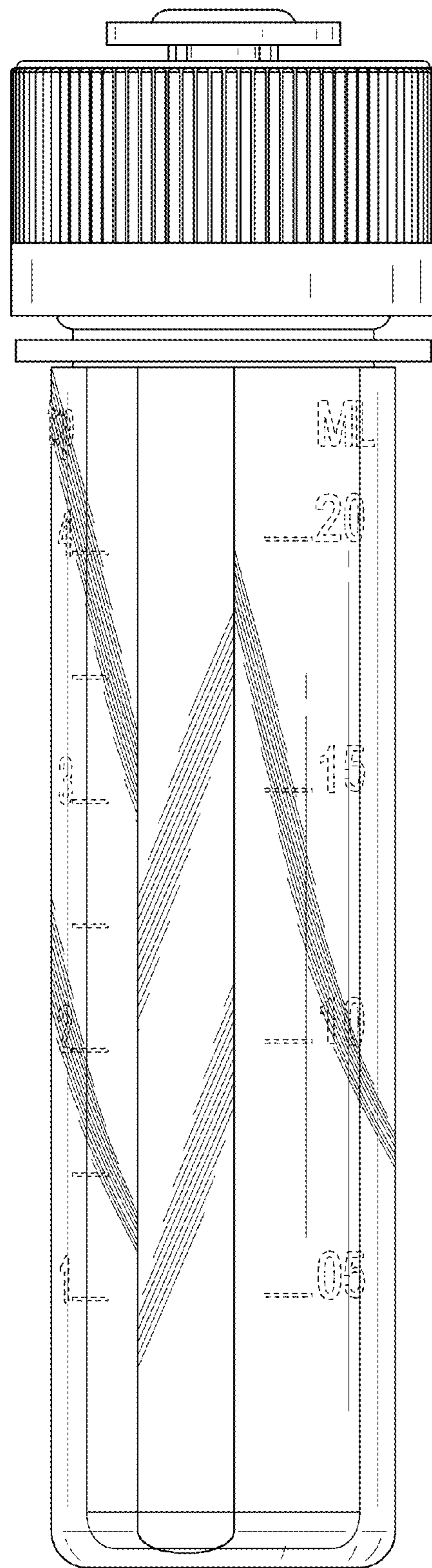


FIG. 2

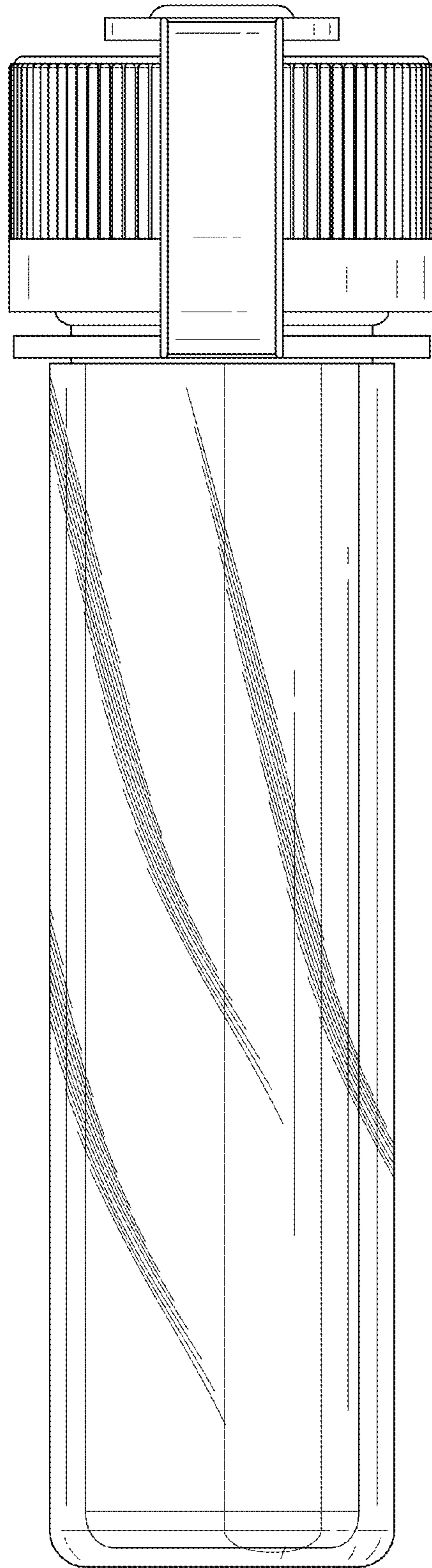
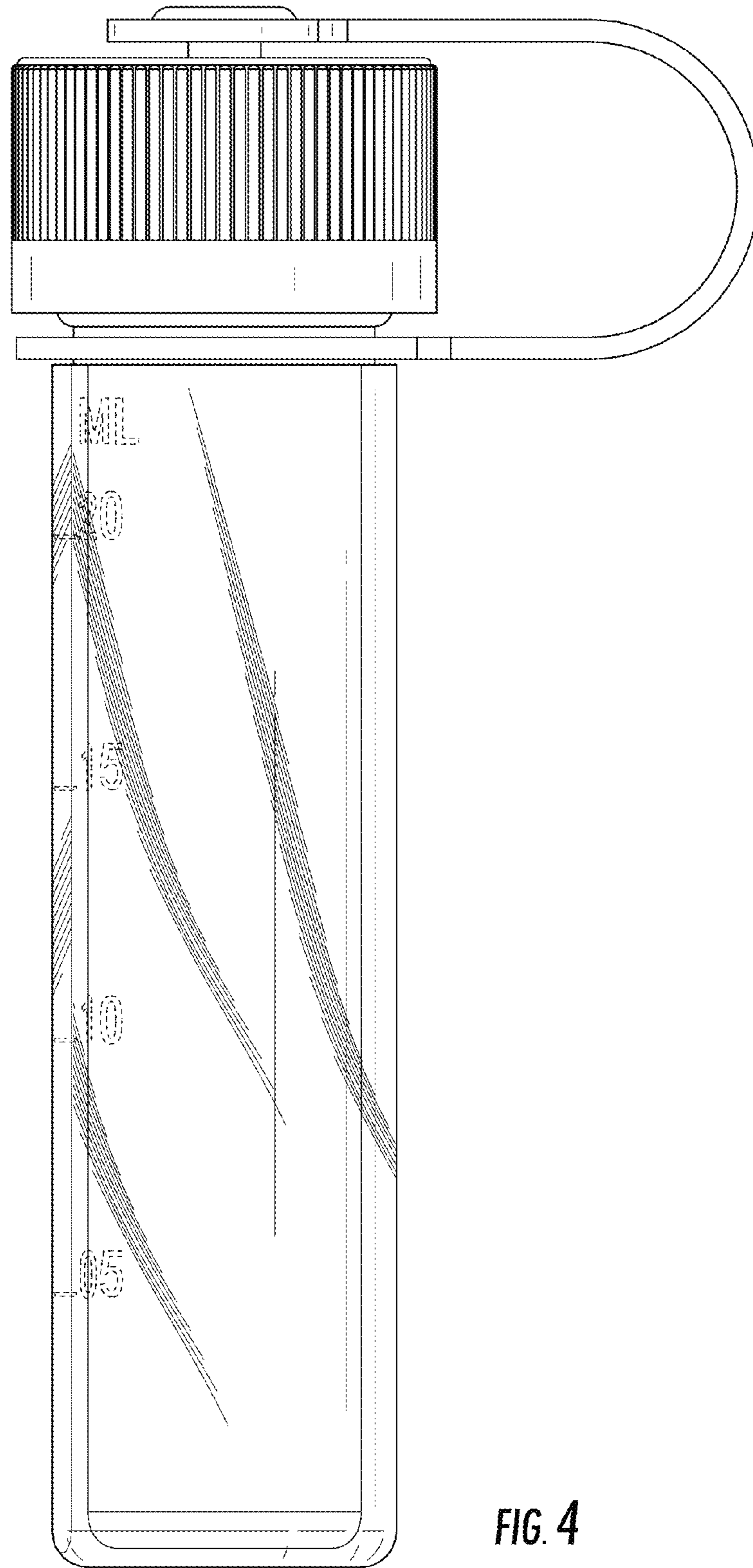


FIG. 3



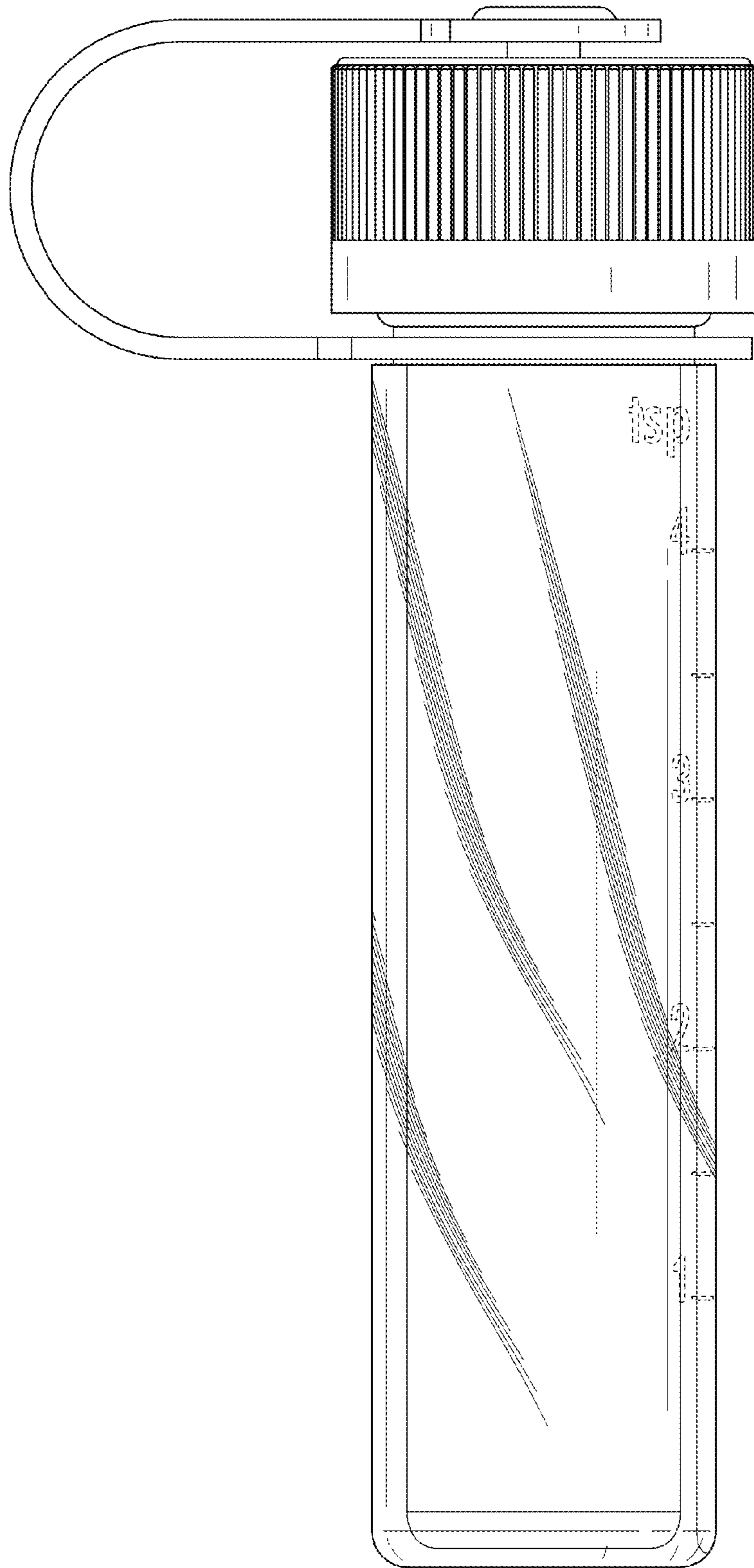


FIG. 5

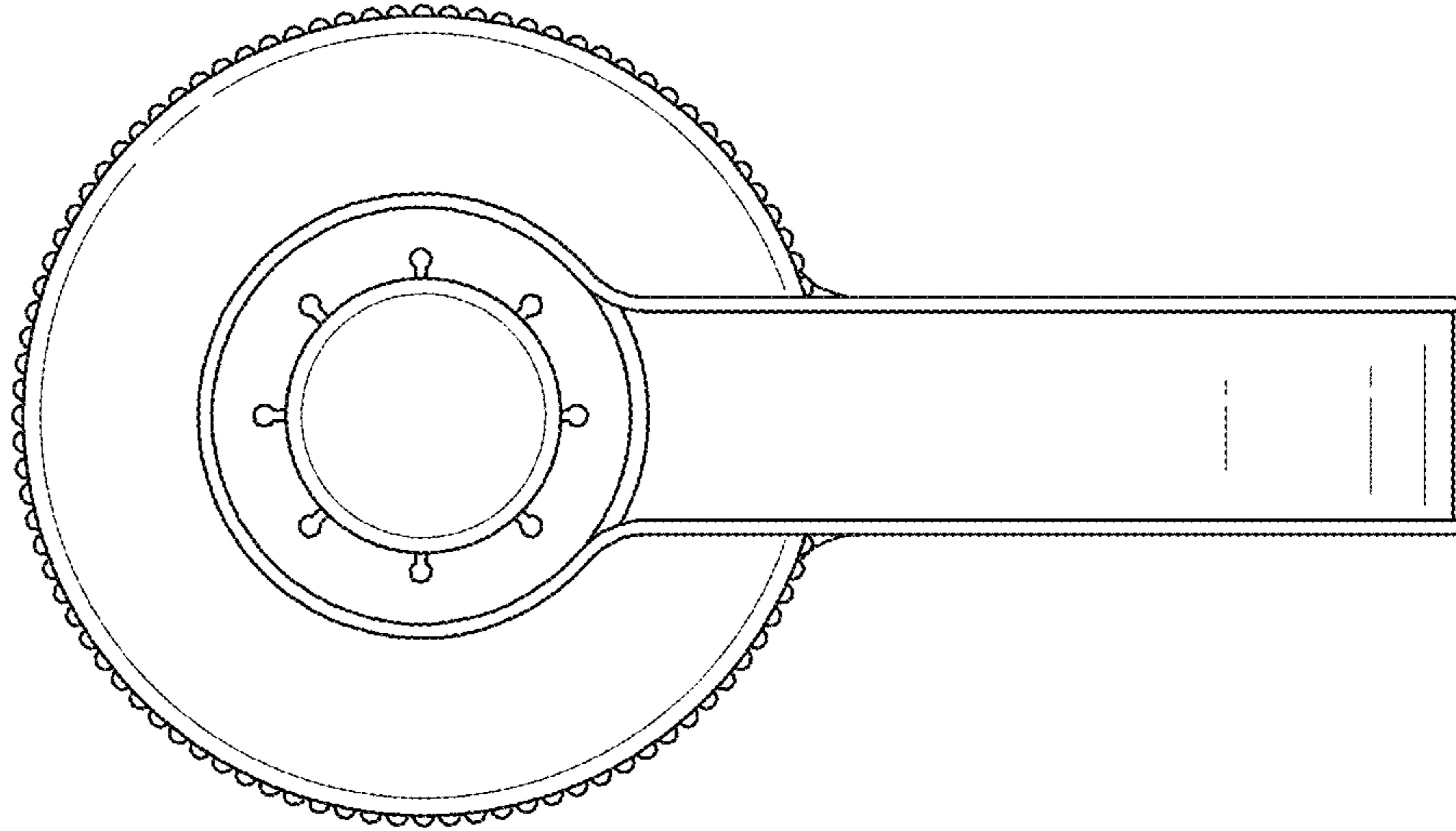


FIG. 6

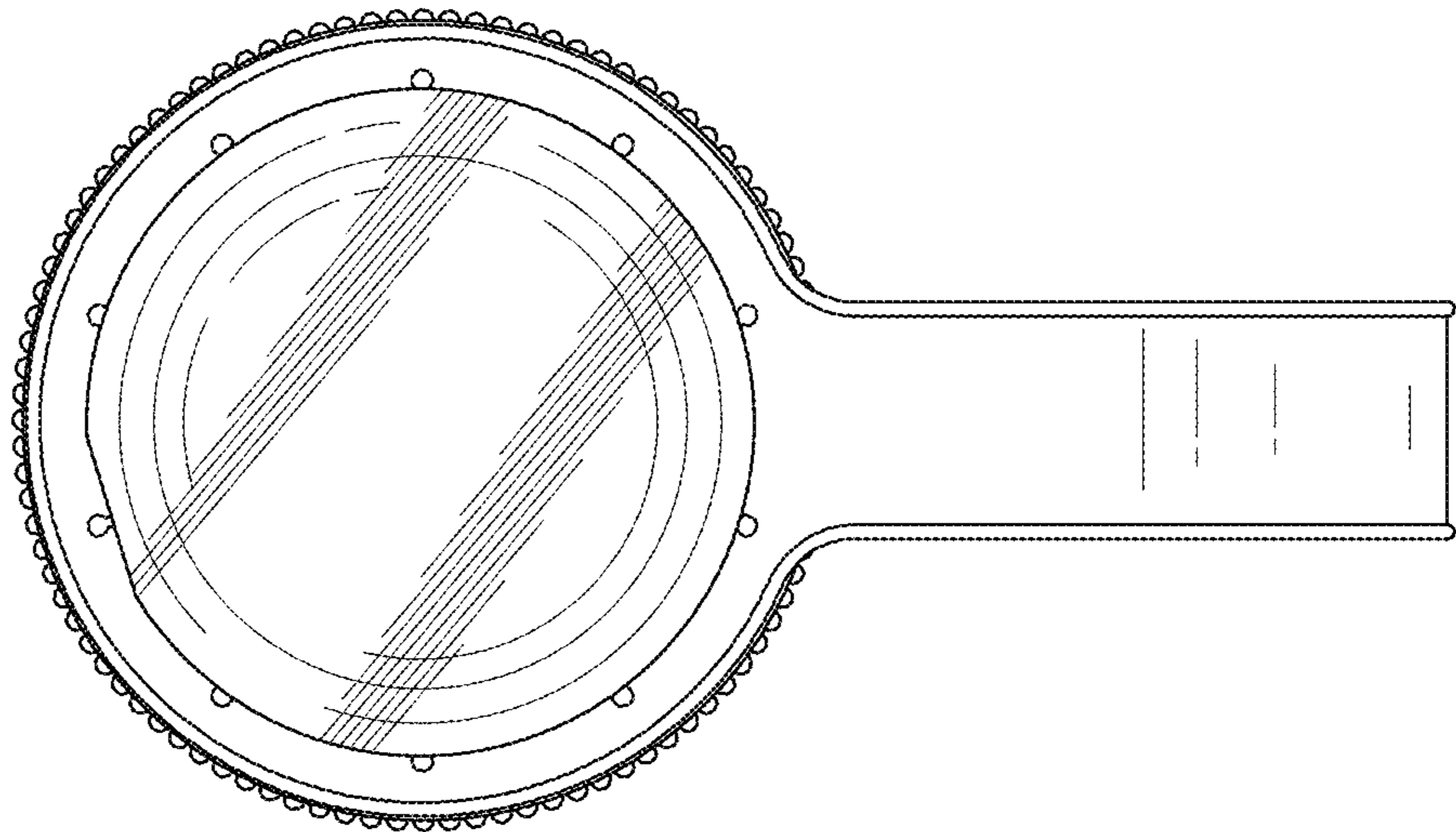


FIG. 7