



US00D760488S

(12) **United States Design Patent**  
**Diamond**

(10) **Patent No.:** **US D760,488 S**

(45) **Date of Patent:** **\*\* \*Jul. 5, 2016**

- (54) **BASKETBALL CANE TIP**
- (71) Applicant: **Drive Medical Design & Manufacturing**, Port Washington, NY (US)
- (72) Inventor: **Harvey Diamond**, Armonk, NY (US)
- (73) Assignee: **Drive Medical Design & Manufacturing**, Port Washington, NY (US)
- (\*) Notice: This patent is subject to a terminal disclaimer.
- (\*\*) Term: **14 Years**
- (21) Appl. No.: **29/504,121**
- (22) Filed: **Oct. 2, 2014**
- (51) **LOC (10) Cl.** ..... **03-03**
- (52) **U.S. Cl.**  
USPC ..... **D3/17**
- (58) **Field of Classification Search**  
USPC ..... D3/5-17; D21/707, 725, 780; D7/710, D7/332, 606, 402, 334, 515, 392; D19/97  
CPC ..... A45B 9/00; A45B 3/00; A45B 9/02; A45B 9/04; A61H 3/00; A61H 3/02; A47B 91/06; B62B 7/08; B62B 7/12; B62B 2205/06; B62B 7/044; A61G 2005/1054  
See application file for complete search history.

- D330,280 S \* 10/1992 Glassman ..... D3/7
- D341,241 S \* 11/1993 Buckley ..... D3/10
- D343,950 S \* 2/1994 Just ..... D3/6
- 5,301,703 A 4/1994 Kahn
- 5,361,793 A \* 11/1994 Stahnke ..... A45B 9/00  
135/65
- 5,485,862 A 1/1996 Kahn
- 5,707,303 A 1/1998 Berkowitz et al.
- D410,598 S \* 6/1999 Mottern ..... D12/120
- D416,382 S \* 11/1999 Beauregard ..... D3/7
- 6,024,110 A \* 2/2000 Renfro ..... A45B 9/02  
135/66
- 6,095,168 A \* 8/2000 Berges ..... A45B 9/02  
135/16
- D463,657 S \* 10/2002 Wilkinson ..... D3/7
- D469,571 S \* 1/2003 Franzblau ..... D27/193
- D492,233 S \* 6/2004 Burden ..... D12/204
- D551,822 S \* 9/2007 Gianfrisco ..... D34/11
- D554,851 S \* 11/2007 Carroll ..... D3/6
- D555,892 S \* 11/2007 Carroll ..... D3/6
- D564,171 S \* 3/2008 Gianfrisco ..... D34/11
- D575,470 S \* 8/2008 Gianfrisco ..... D34/11

(Continued)

*Primary Examiner* — John Windmuller

*Assistant Examiner* — Steven Cxyz

(74) *Attorney, Agent, or Firm* — Carter, DeLuca, Farrell & Schmidt, LLP

(57) **CLAIM**

The ornamental design for a basketball cane tip, as shown and described.

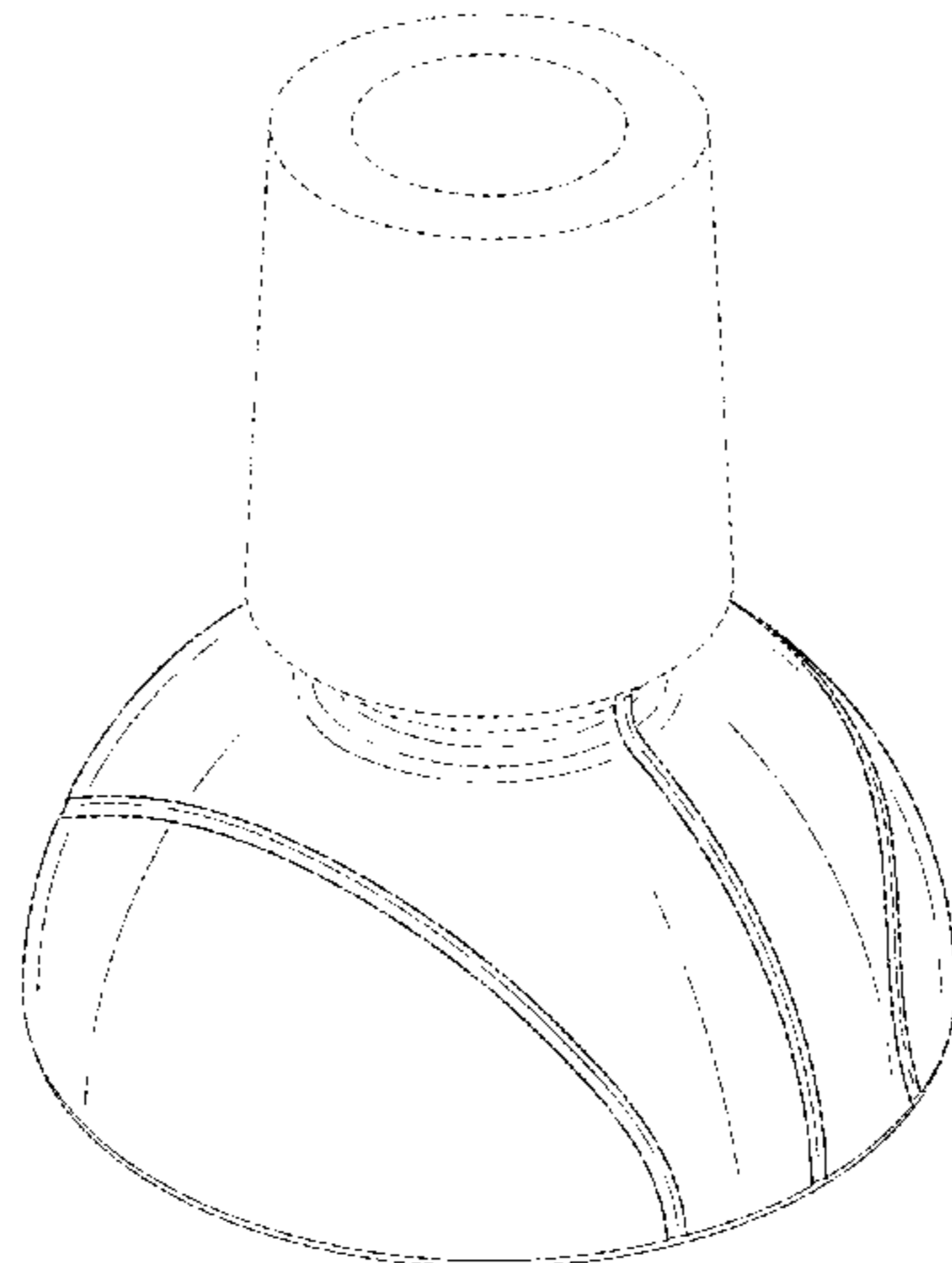
**DESCRIPTION**

FIG. 1 is a perspective view of a basketball cane tip of the new design;  
 FIG. 2 is a front elevational view thereof;  
 FIG. 3 is a rear elevational view thereof;  
 FIG. 4 is a left side view, with the right side view being a mirror image thereof;  
 FIG. 5 is a top plan view thereof; and,  
 FIG. 6 is a bottom plan view thereof.  
 The broken lines depict portions of the article that form no part of the claimed design.

**1 Claim, 4 Drawing Sheets**

(56) **References Cited**  
U.S. PATENT DOCUMENTS

- 1,339,257 A \* 5/1920 Callahan ..... A45B 3/00  
135/66
- D249,089 S \* 8/1978 Studley ..... D11/157
- 4,597,400 A \* 7/1986 Trudeau, Sr. .... A45B 11/00  
135/18
- D290,784 S \* 7/1987 Moshiri ..... D3/7
- D298,642 S \* 11/1988 Dolive ..... D21/729
- D317,491 S \* 6/1991 Rhodes ..... D21/735
- D319,276 S \* 8/1991 Keeler ..... D21/735
- D327,376 S \* 6/1992 Piccamiglio ..... D21/709



(56)

**References Cited**

U.S. PATENT DOCUMENTS

D576,516 S *	9/2008	Grossman, Jr.	D11/160	D689,124 S *	9/2013	Lochen	D17/10
D581,834 S *	12/2008	Oakley	D11/181	D693,565 S *	11/2013	Chan	D3/7
D593,745 S *	6/2009	Stanec	D3/10	D700,256 S *	2/2014	Besemer	D21/707
D630,689 S *	1/2011	Tsutsui	D21/713	D703,734 S *	4/2014	Lochen	D17/22
7,882,848 B2 *	2/2011	Diamond	A61H 3/04	D704,567 S *	5/2014	Sanders	D9/519
			135/77	D705,865 S *	5/2014	Roth	D19/97
D644,078 S *	8/2011	Moman	D8/38	D710,153 S *	8/2014	Marini	D7/515
D660,602 S *	5/2012	Appell	D6/316	D711,247 S *	8/2014	Sanders	D9/519
D665,991 S *	8/2012	Slayton	D3/7	D731,608 S *	6/2015	Krouse	D21/756
D677,320 S *	3/2013	Lochen	D17/22	D734,020 S *	7/2015	Chisum	D3/7
D677,981 S *	3/2013	Levin	D7/392	D740,017 S *	10/2015	Diamond	D3/17
D689,120 S *	9/2013	Lochen	D17/10	2006/0053587 A1 *	3/2006	Chase	A47B 91/06
							16/42 R
				2006/0272691 A1 *	12/2006	DeLesline	A61H 3/0288
							135/67

\* cited by examiner

FIG. 1

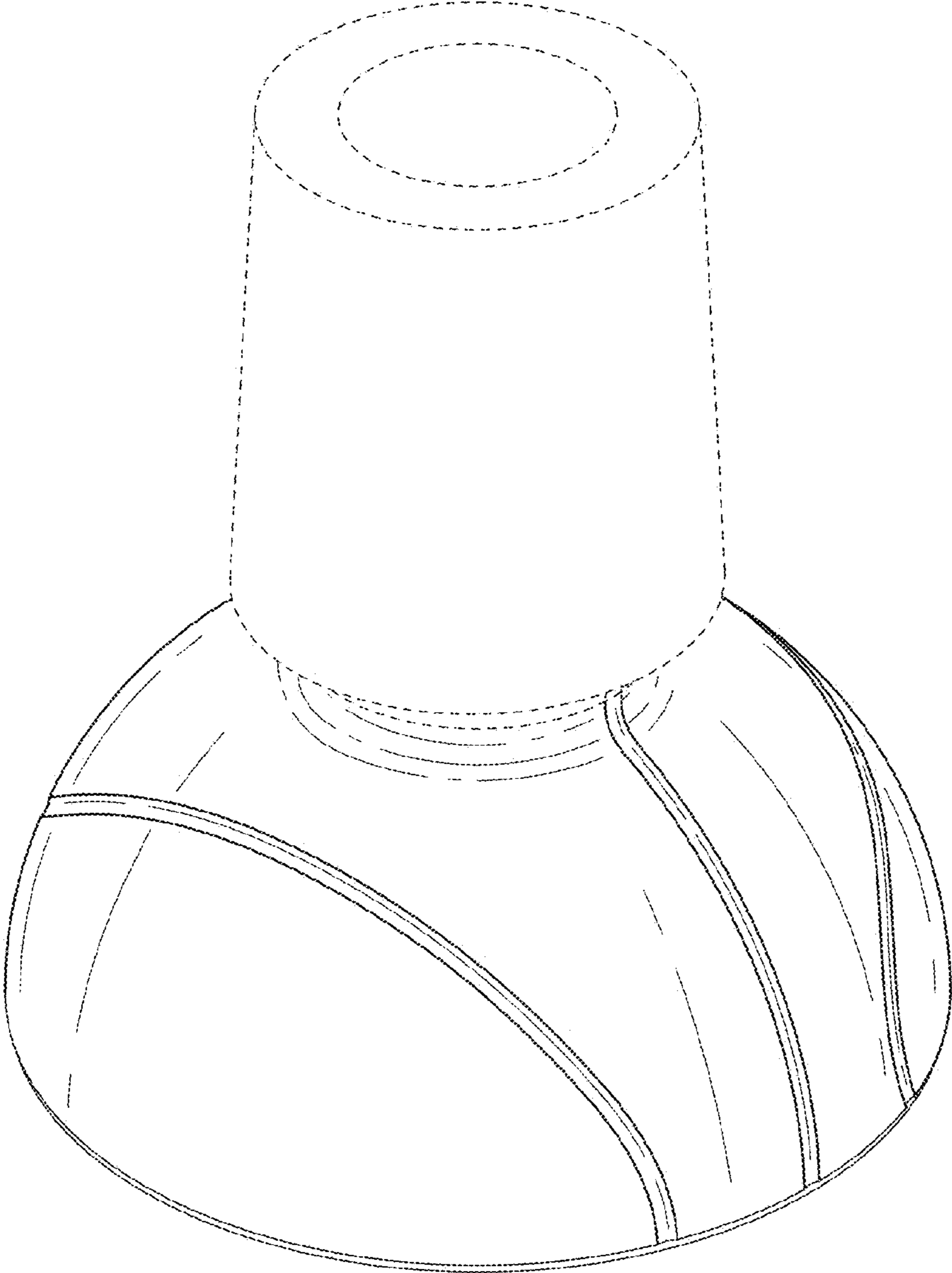


FIG. 3

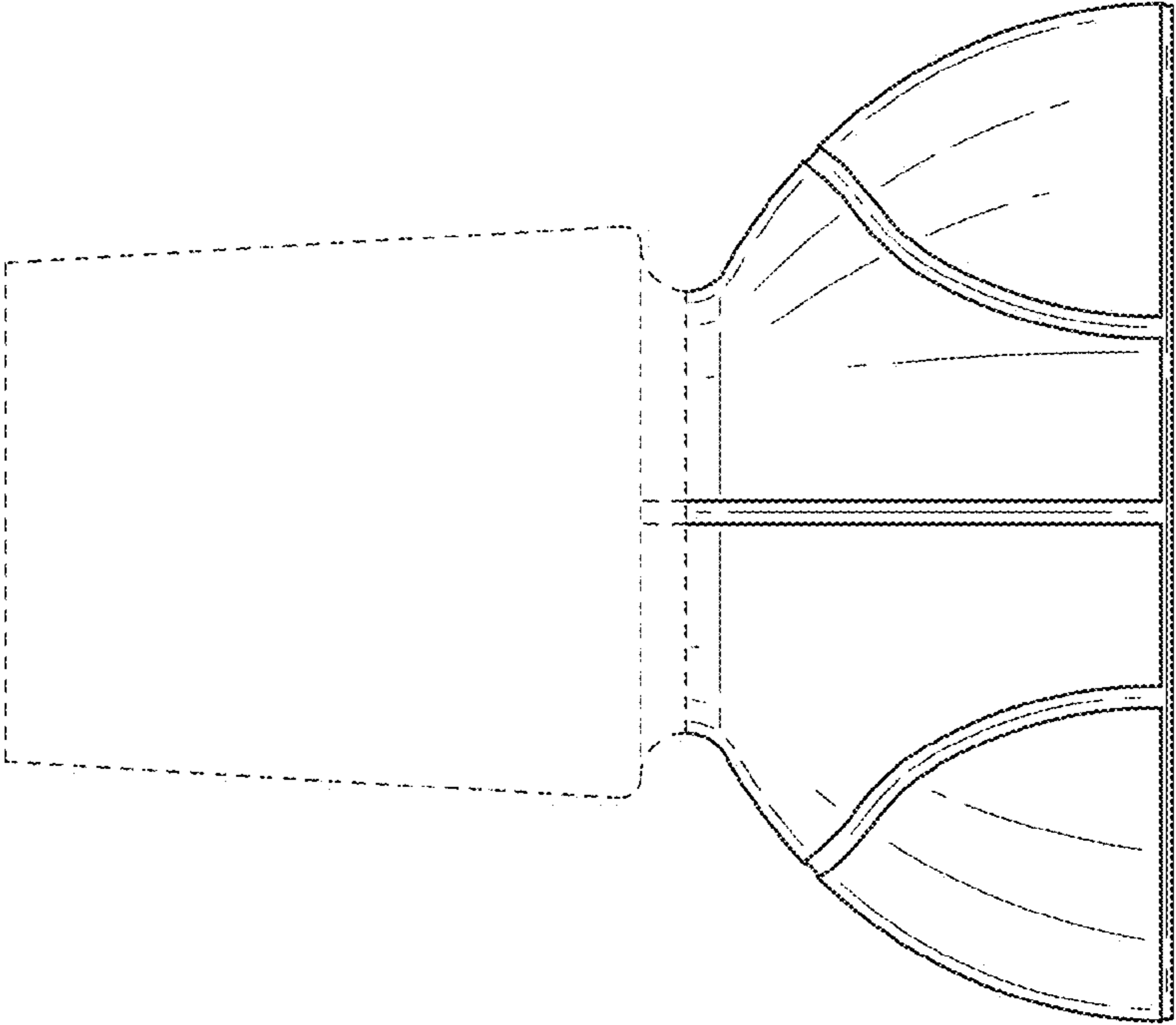


FIG. 2

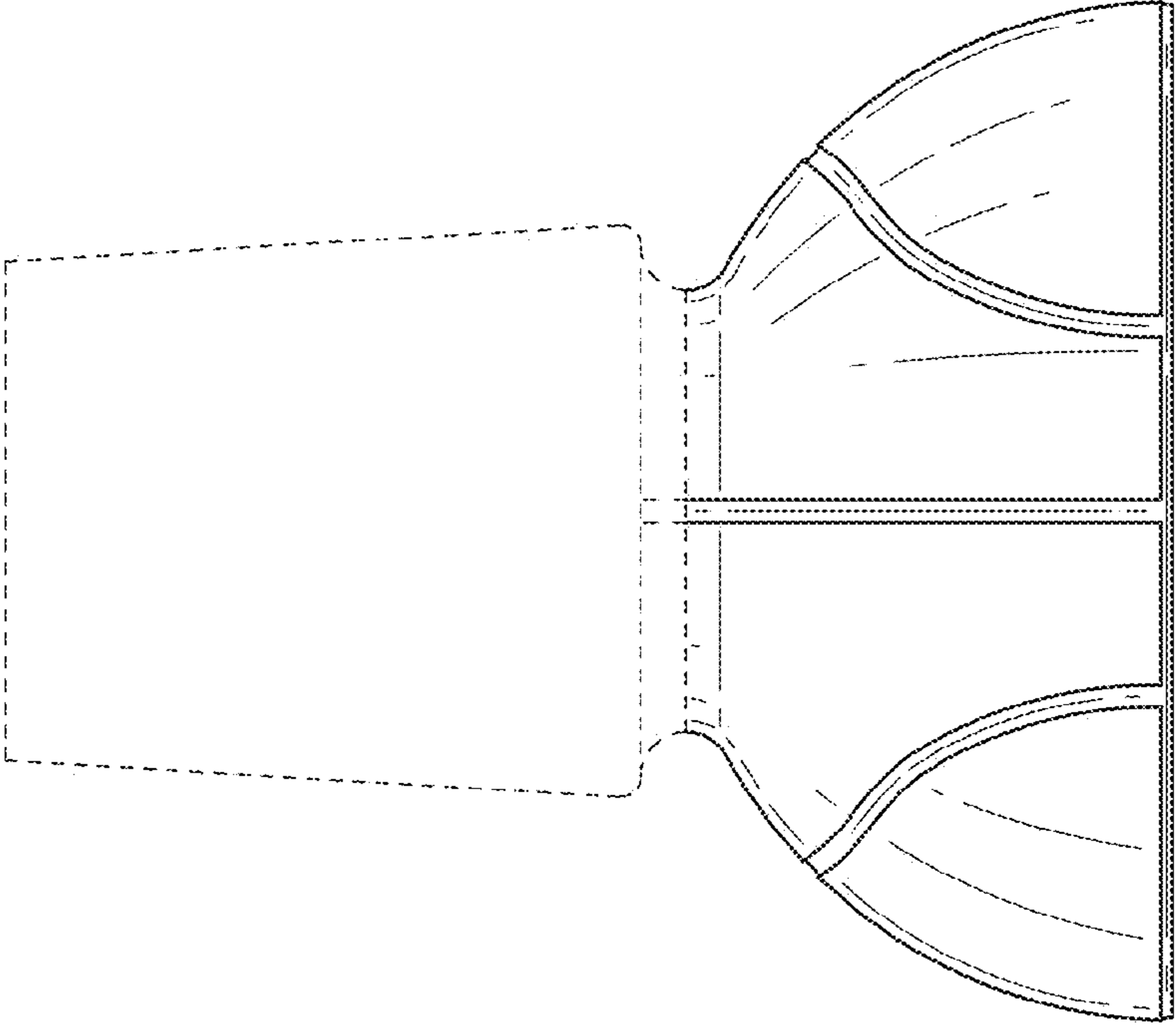


FIG. 4

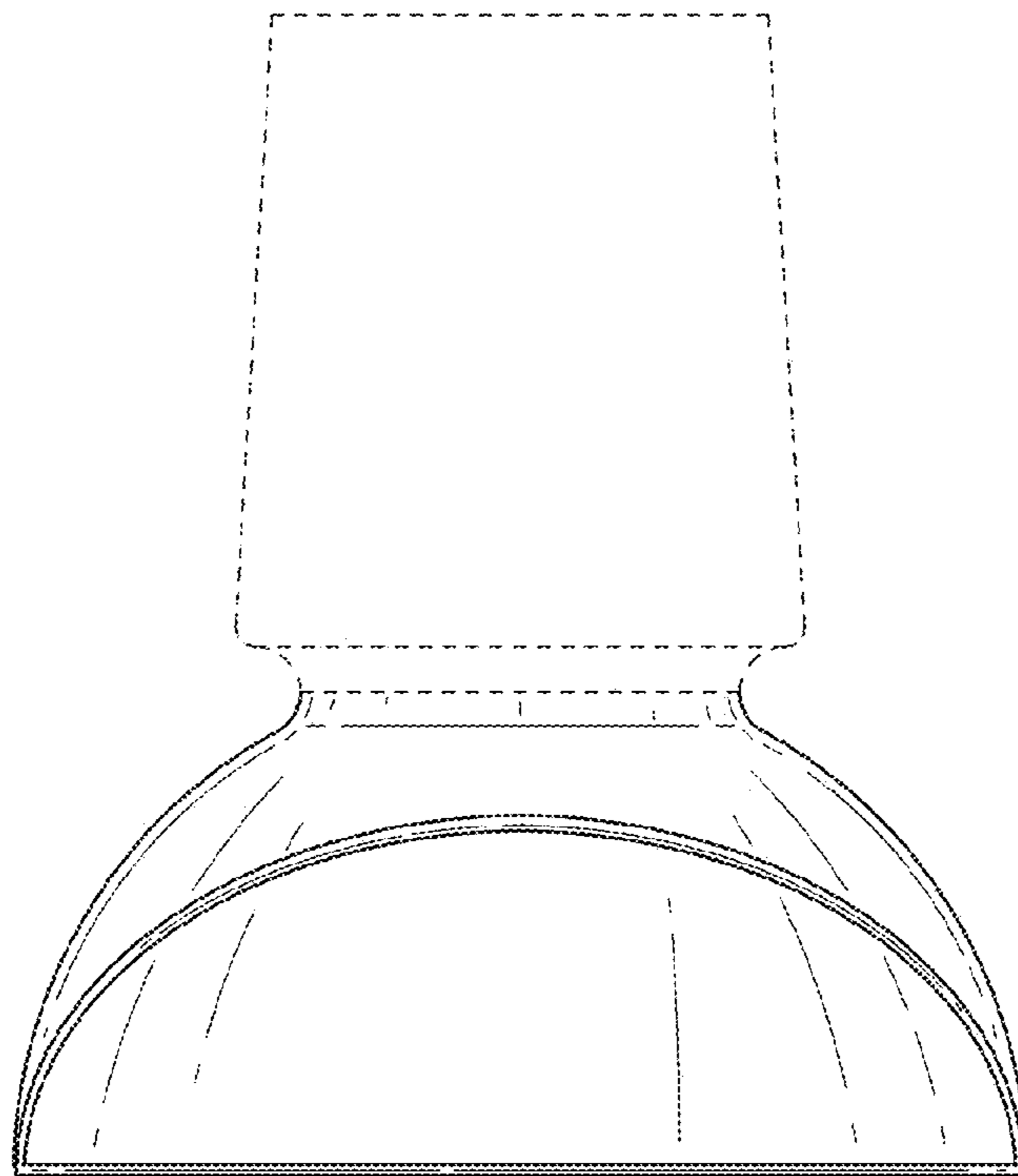


FIG. 5

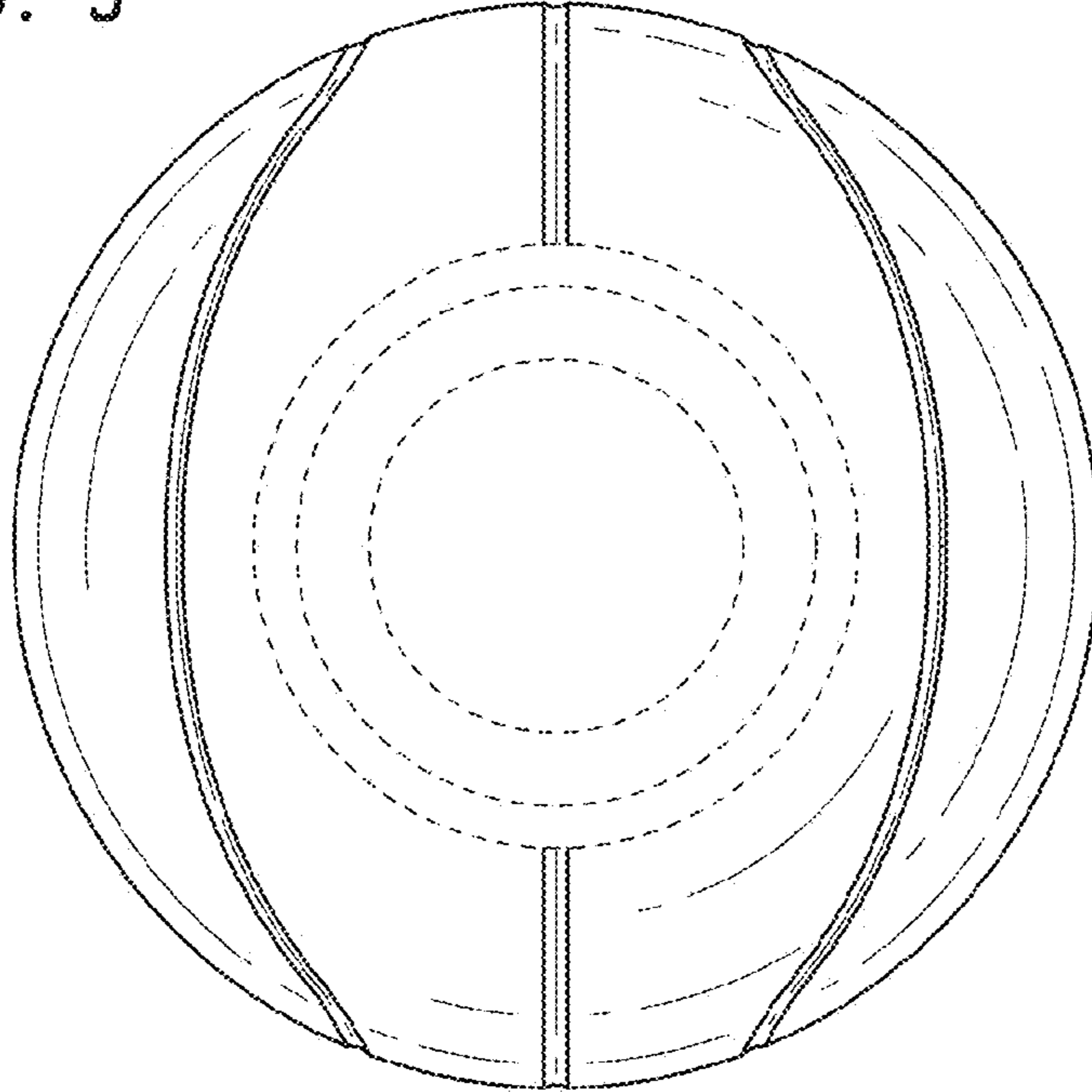


FIG. 6

