



US00D760486S

(12) **United States Design Patent**
Patzak

(10) **Patent No.:** **US D760,486 S**

(45) **Date of Patent:** **** Jul. 5, 2016**

(54) **CARRIAGE PART FOR A STANDING UMBRELLA**

D719,342 S * 12/2014 Ma D3/5
2003/0015229 A1* 1/2003 Ma 135/16
2011/0240078 A1* 10/2011 Lenhart et al. 135/75

(71) Applicant: **Peter K Patzak**, Darmstadt (DE)

OTHER PUBLICATIONS

(72) Inventor: **Peter K Patzak**, Darmstadt (DE)

Glatz AG, Standing Umbrella Carriage Part (4 photographs), Sep. 2004.

(73) Assignee: **Glatz AG** (CH)

* cited by examiner

(**) Term: **14 Years**

Primary Examiner — Sheryl Lane

(21) Appl. No.: **29/455,126**

Assistant Examiner — Catherine Posthauer

(22) Filed: **May 17, 2013**

(74) *Attorney, Agent, or Firm* — George Pappas

(51) **LOC (10) Cl.** **03-03**

(57) **CLAIM**

(52) **U.S. Cl.**
USPC **D3/10; D8/396**

I claim the ornamental design for a carriage part for a standing umbrella, as shown and described.

(58) **Field of Classification Search**

DESCRIPTION

USPC D3/5, 7, 10; D8/373, 396; D17/22;
135/16, 20.3, 98
CPC A45B 25/06; A45B 25/08
See application file for complete search history.

FIG. 1 is side elevation view of a standing umbrella and showing my new design;

(56) **References Cited**

U.S. PATENT DOCUMENTS

D396,185 S *	7/1998	Fraser	D8/396
D497,935 S *	11/2004	Kamijima et al.	D17/22
D507,591 S *	7/2005	Kamijima et al.	D17/22
D547,048 S *	7/2007	Conway et al.	D3/10
D574,144 S *	8/2008	Ortiz-Gavin	D3/10
D602,686 S *	10/2009	Patzak	D3/10
D606,297 S *	12/2009	Nardone et al.	D3/7
D631,243 S *	1/2011	Forthuber et al.	D3/10
D634,114 S *	3/2011	Liao	D3/10
D644,832 S *	9/2011	Patzak	D3/10
D668,445 S *	10/2012	Patzak	D3/10
D668,446 S *	10/2012	Patzak	D3/10
D671,820 S *	12/2012	Henderson	D8/373
D672,225 S *	12/2012	Virnig	D8/373

FIG. 2 is a perspective view of my design shown in FIG. 1; FIG. 3 is a rear elevation view of my design shown in FIG. 1; FIG. 4 is a front elevation view of my design shown in FIG. 1; FIG. 5 is a left side elevation view of my design shown in FIG. 1;

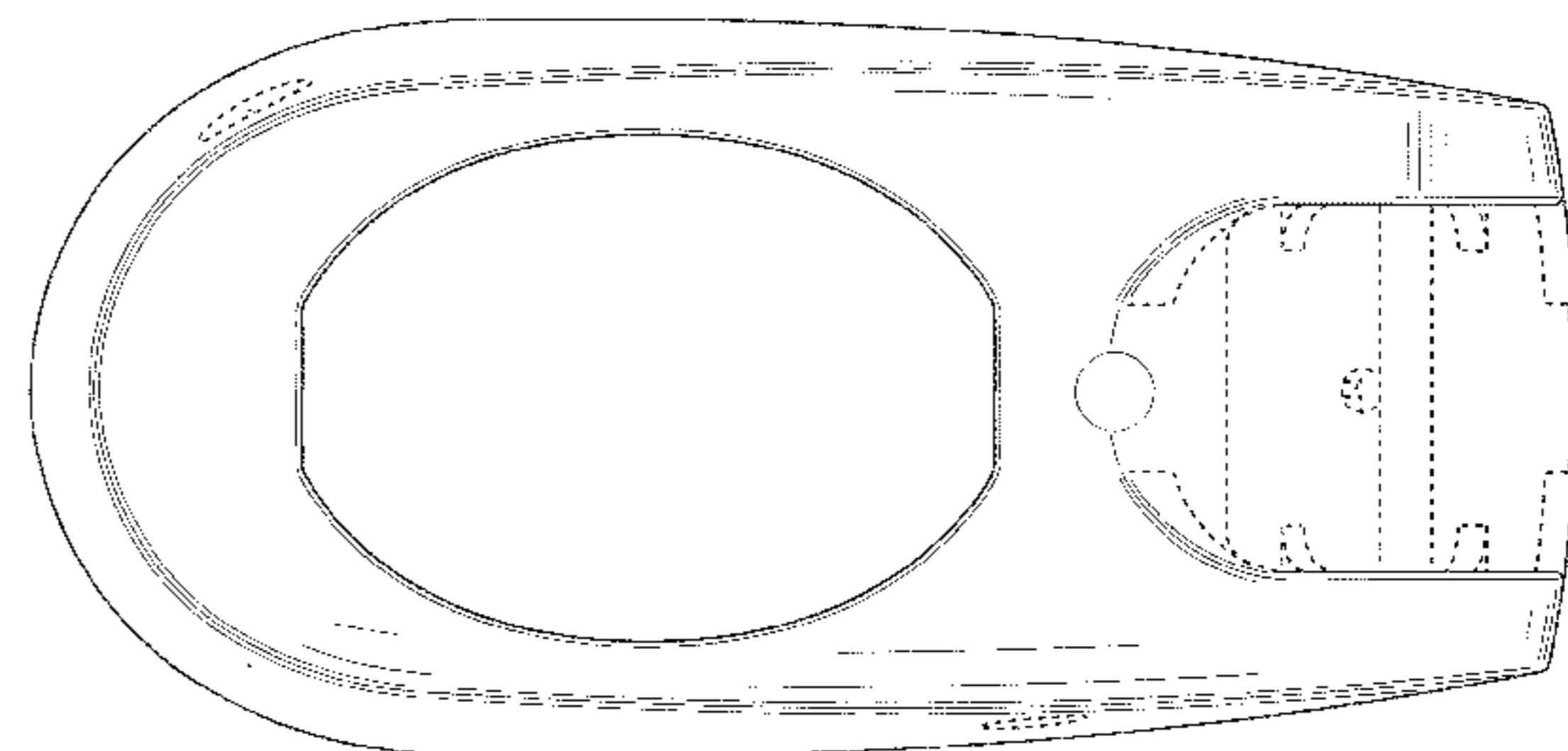
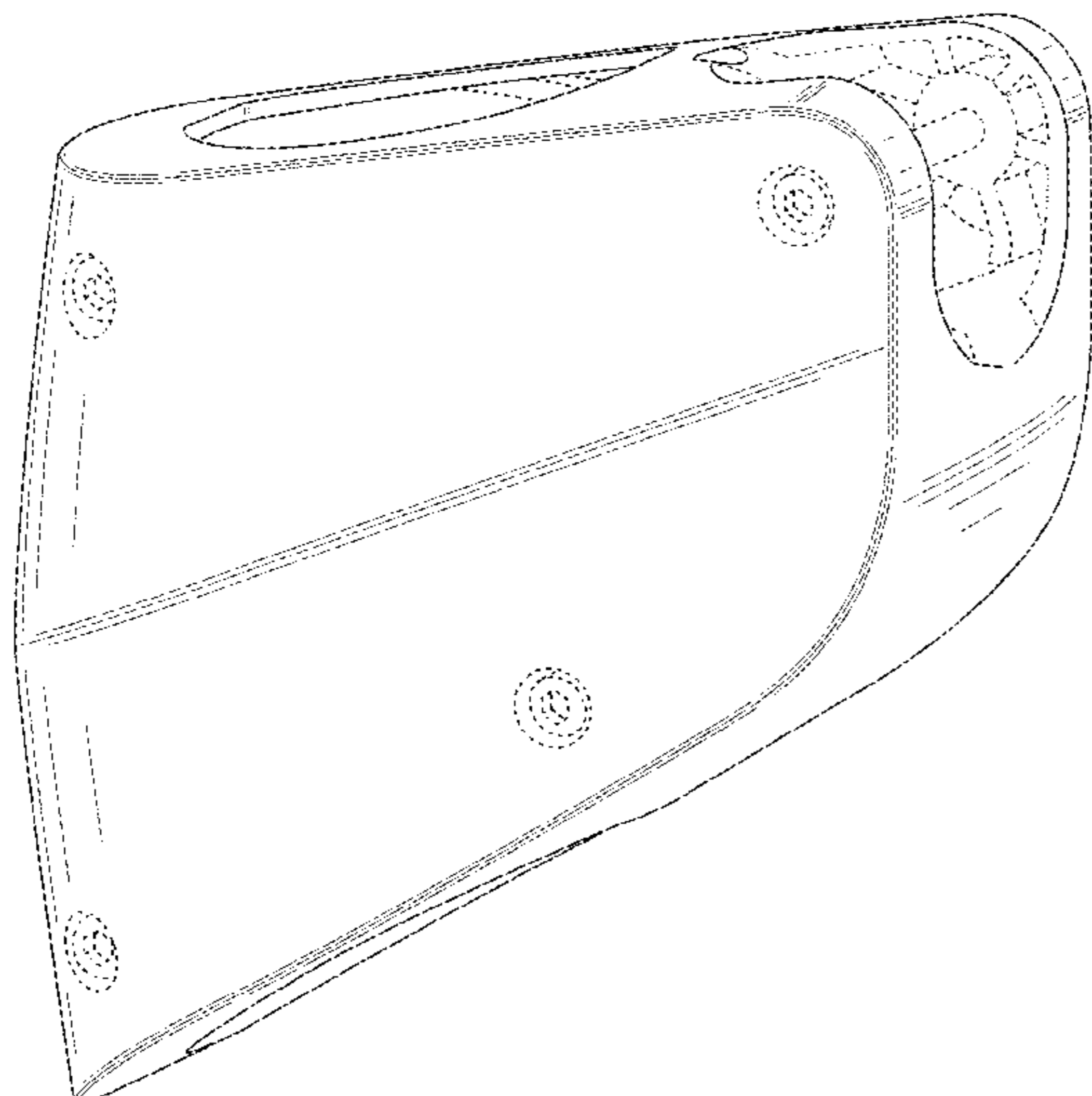
FIG. 6 is a right side elevation view of my design shown in FIG. 1;

FIG. 7 is a top view of my design shown in FIG. 1; and, FIG. 8 is a bottom view of my design shown in FIG. 1.

The broken lines are shown to illustrate environmental structure and form no part of the claimed design.

The article in which the design is embodied is a carriage part used for moving a boom of a standing umbrella along the umbrella upright support rod.

1 Claim, 8 Drawing Sheets



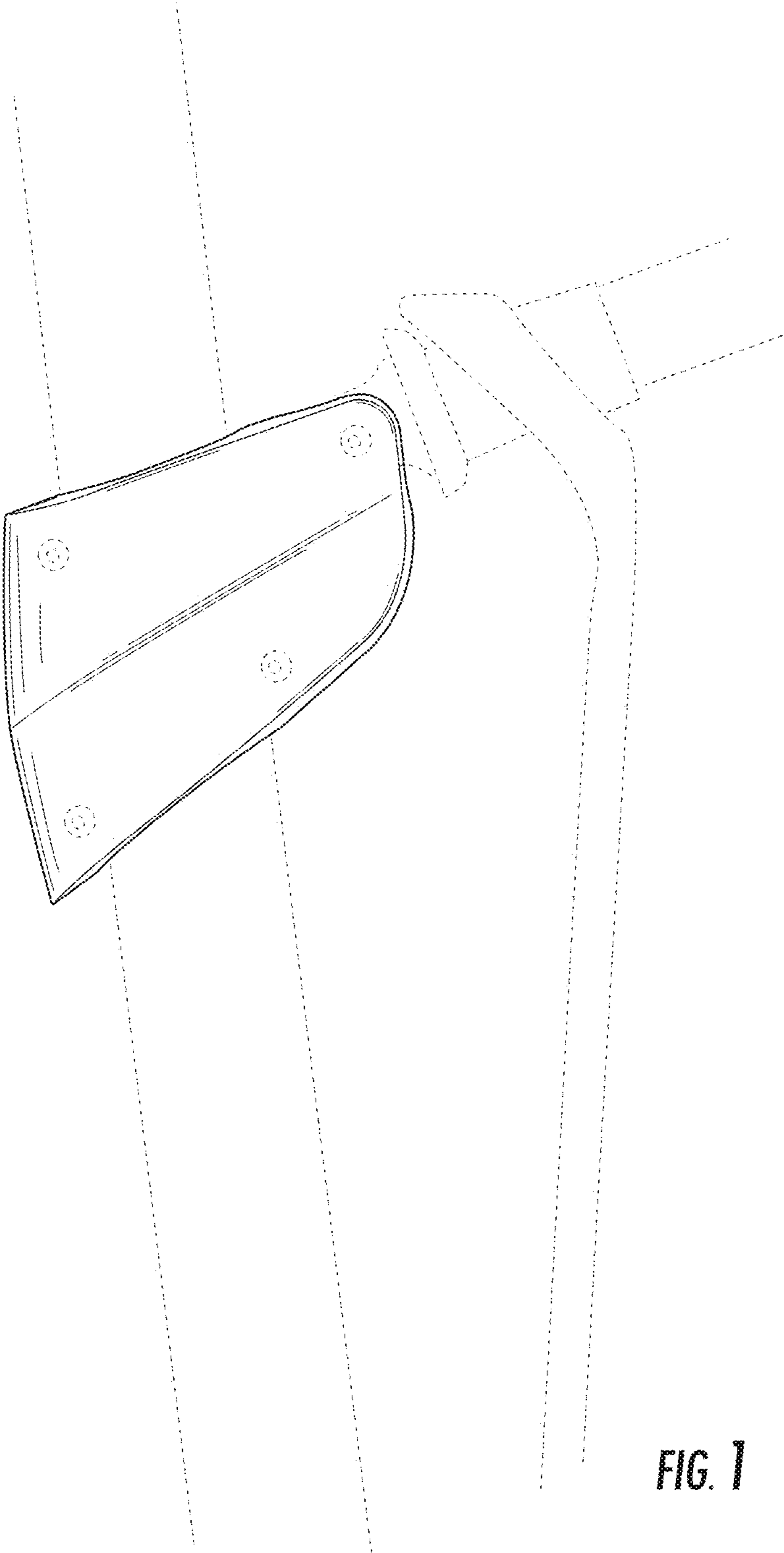


FIG. 1

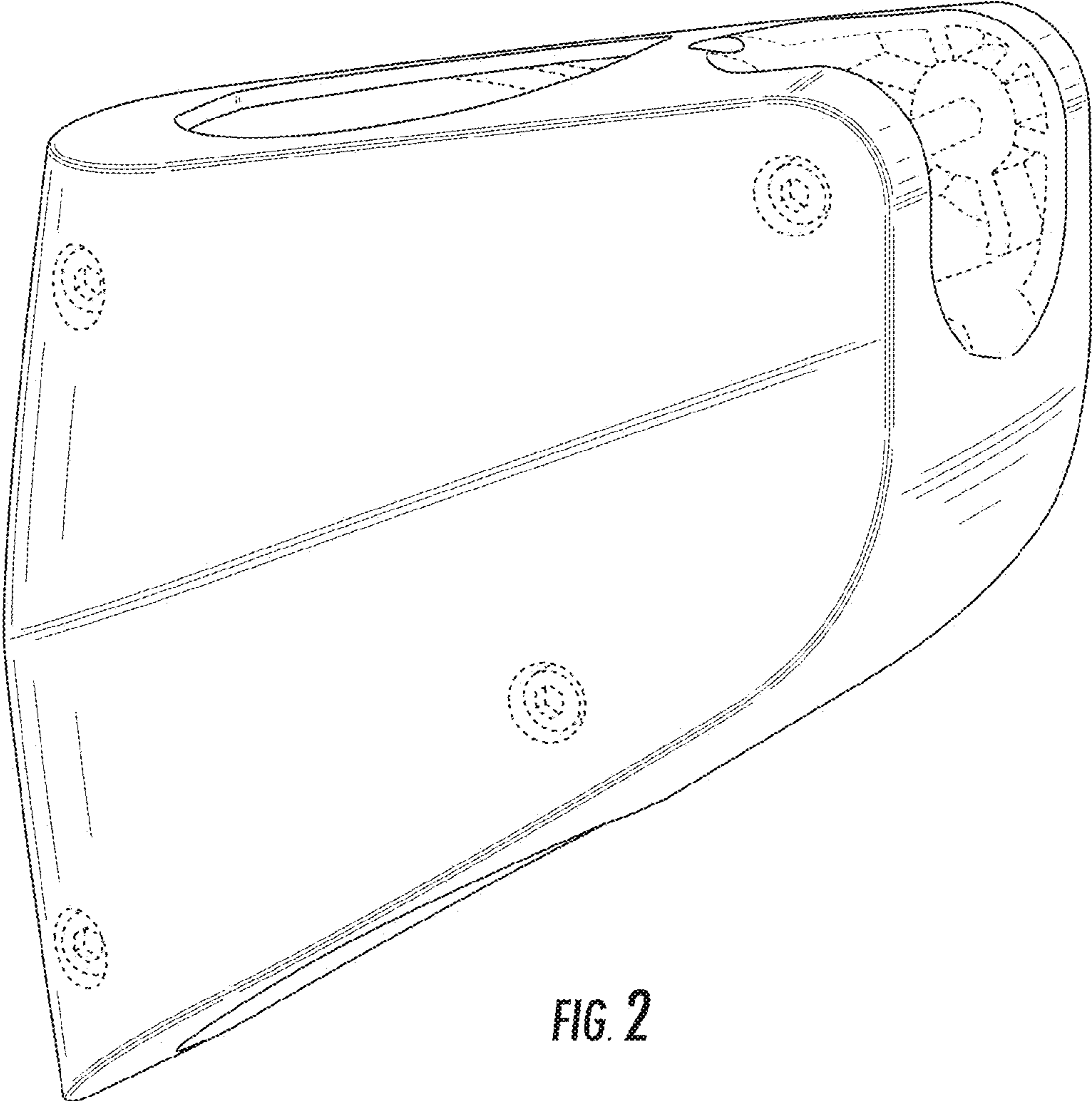


FIG. 2

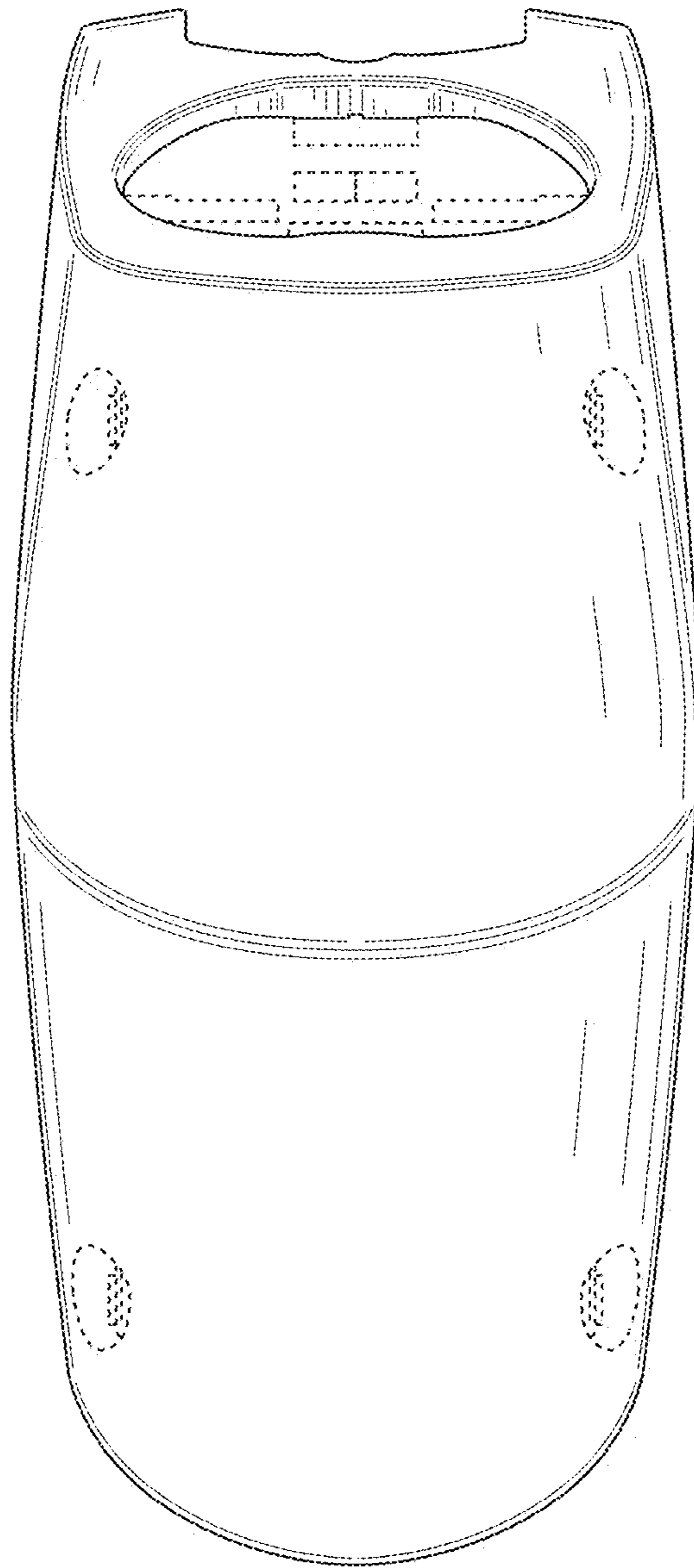


FIG. 3

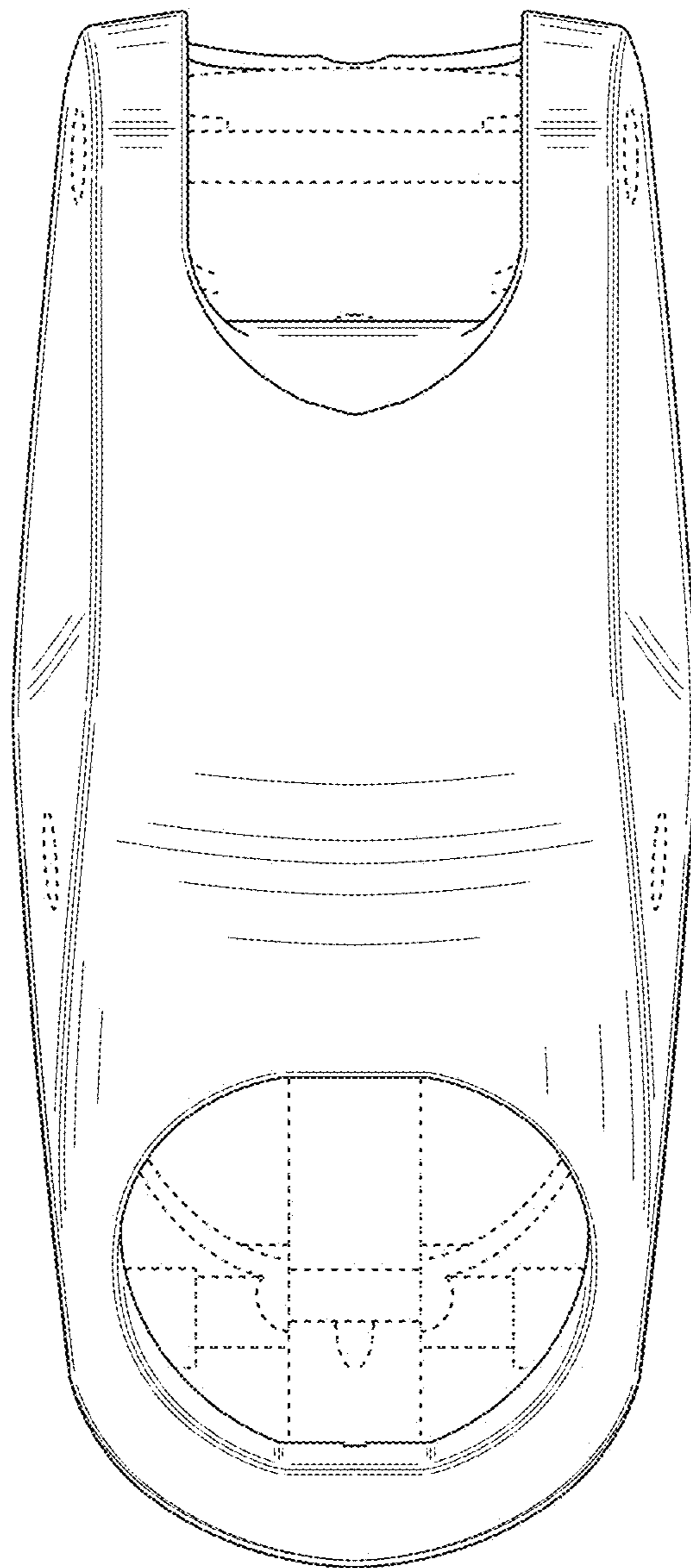


FIG. 4

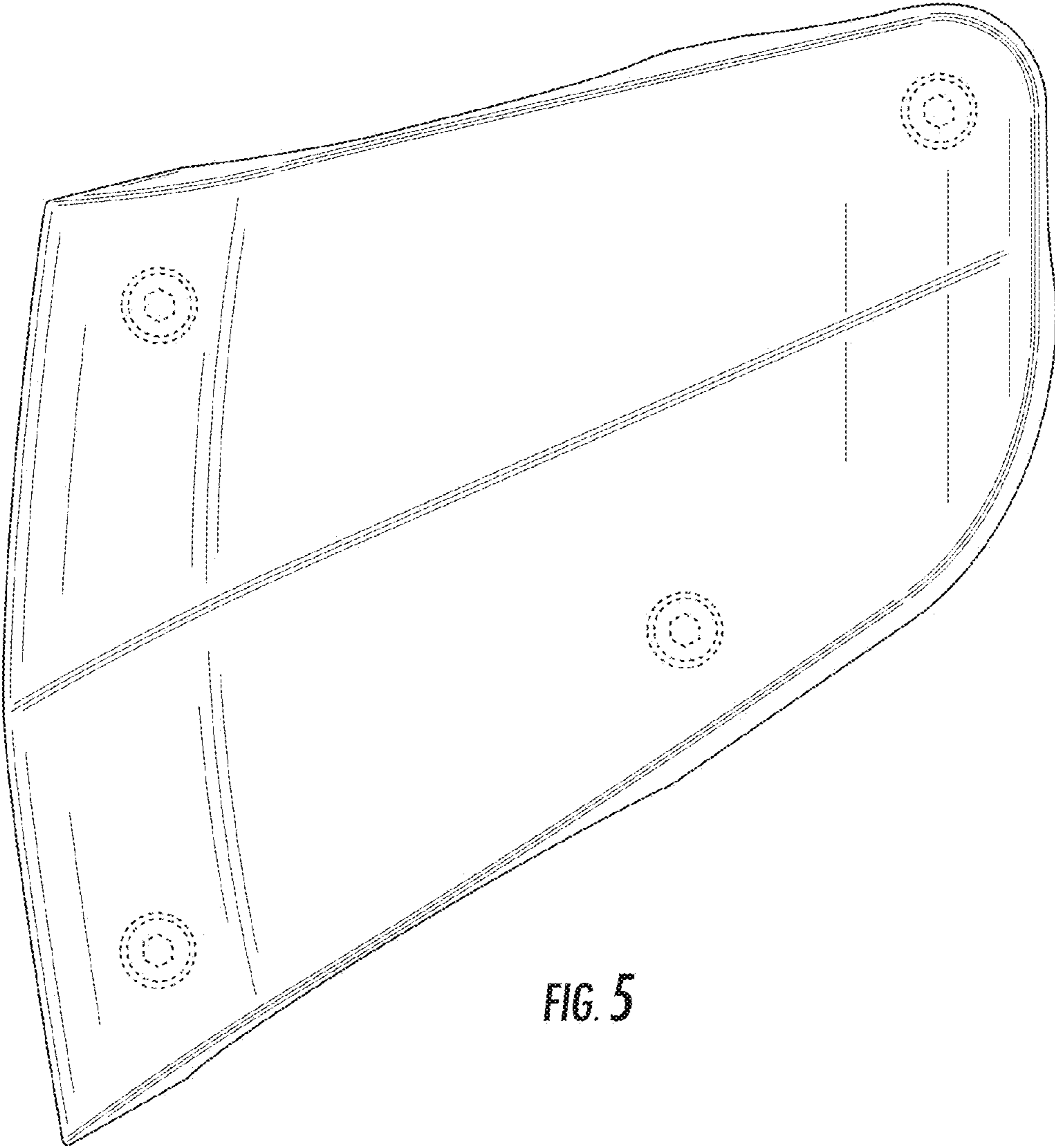


FIG. 5

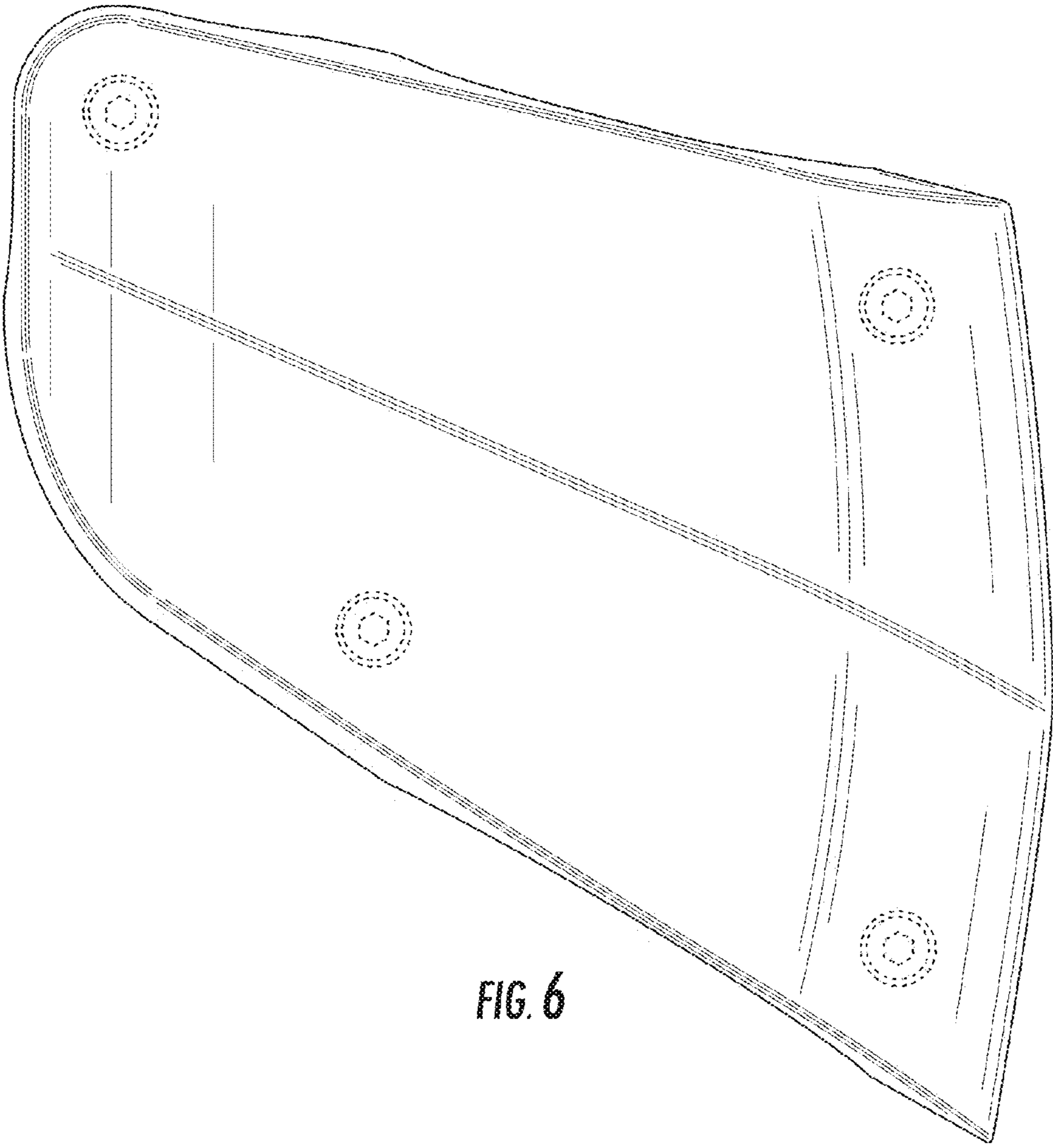


FIG. 6

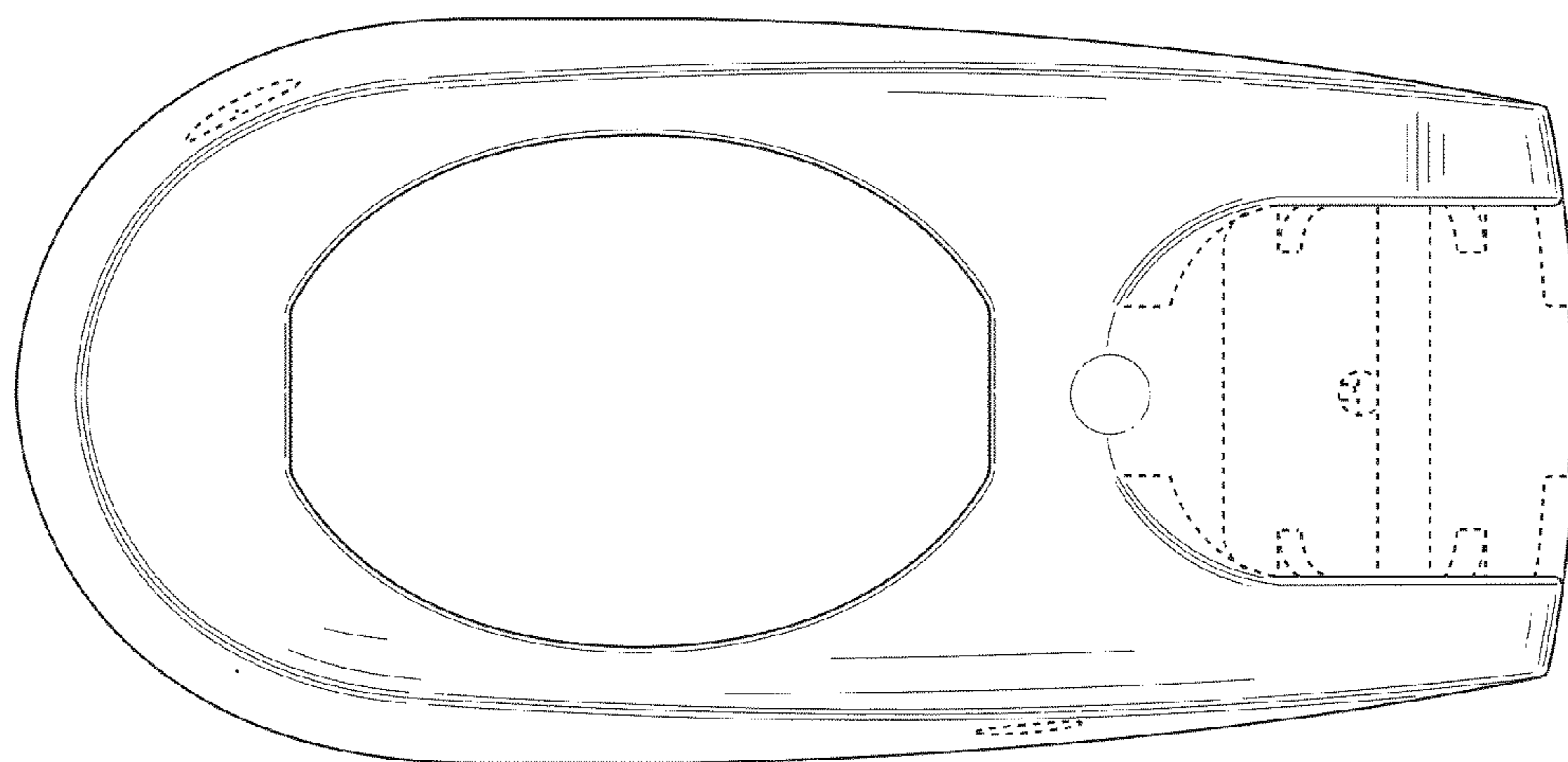


FIG. 7

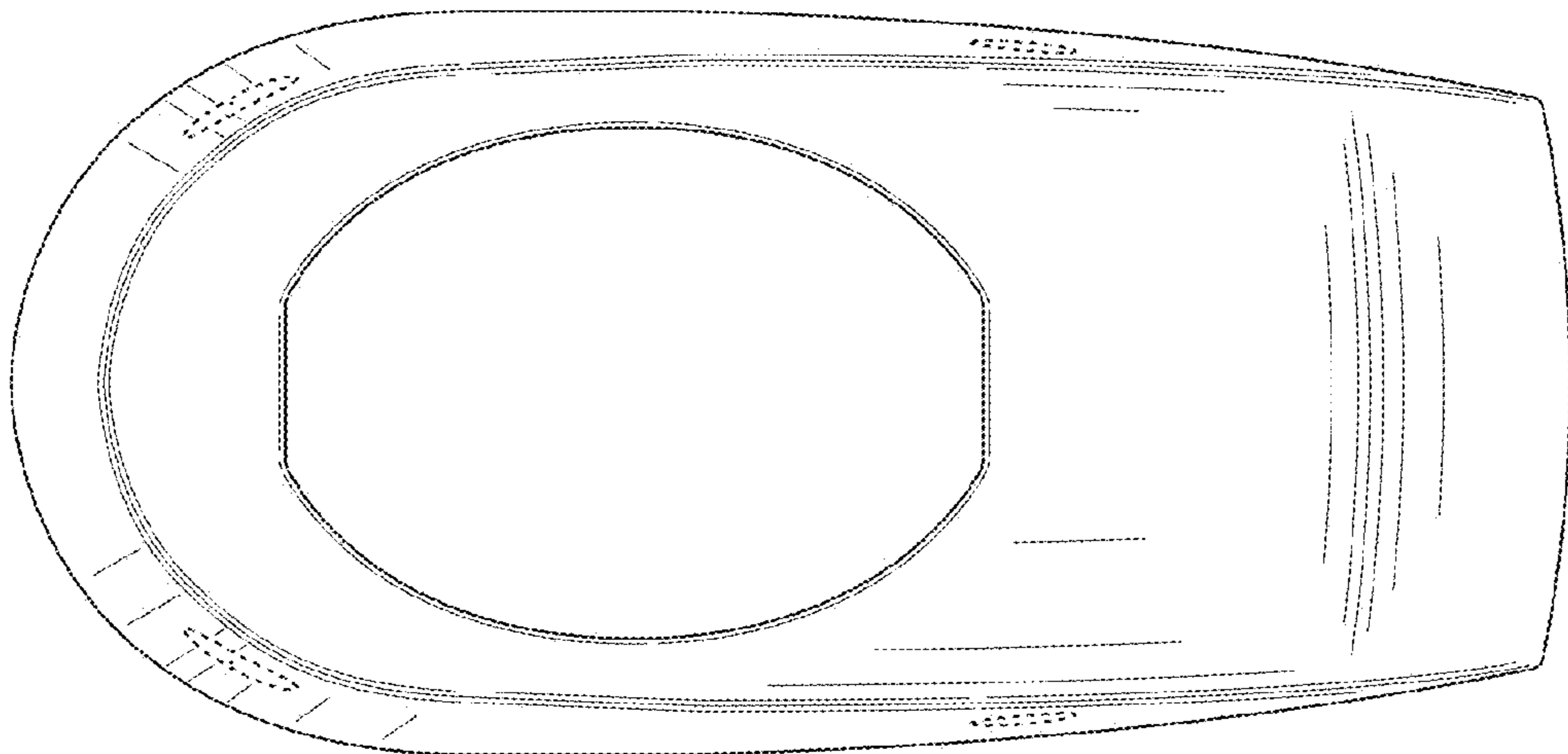


FIG. 8

UNITED STATES PATENT AND TRADEMARK OFFICE
CERTIFICATE OF CORRECTION

PATENT NO. : D760,486 S
APPLICATION NO. : 29/455126
DATED : July 5, 2016
INVENTOR(S) : Peter K. Patzak

Page 1 of 1

It is certified that error appears in the above-identified patent and that said Letters Patent is hereby corrected as shown below:

On the Title Page

Item (30) Foreign priority should be indicated as:

Feb. 11, 2013 (EP) 002181990

Signed and Sealed this
Tenth Day of January, 2017



Michelle K. Lee
Director of the United States Patent and Trademark Office