



US00D760479S

(12) **United States Design Patent**
Adrovic

(10) **Patent No.:** **US D760,479 S**
(45) **Date of Patent:** **** Jul. 5, 2016**

(54) **SHIRT**
(71) Applicant: **NIKE, Inc.**, Beaverton, OR (US)
(72) Inventor: **Alma Adrovic**, Portland, OR (US)
(73) Assignee: **NIKE, Inc.**, Beaverton, OR (US)
(**) Term: **15 Years**

D612,130 S 3/2010 Hall et al.
D619,783 S 7/2010 Jones et al.
D625,078 S * 10/2010 Scott-Curran D2/717
D627,135 S * 11/2010 Turner D2/717
D628,770 S 12/2010 Kanada et al.
D628,771 S 12/2010 Kanada et al.
D640,858 S 7/2011 Hall et al.
D654,659 S * 2/2012 Scott-Curran D2/717

(Continued)

(21) Appl. No.: **29/528,468**
(22) Filed: **May 28, 2015**
(51) **LOC (10) Cl.** **02-02**
(52) **U.S. Cl.**
USPC **D2/840; D2/731**
(58) **Field of Classification Search**
USPC D2/700–705, 717, 720, 731, 732, 833,
D2/834, 836, 839–841, 844, 849, 850;
D5/5, 8, 20, 25, 43, 52, 55, 60
CPC A41B 1/00; A41B 1/04; A41B 1/06;
A41B 1/08; A41B 1/12; A41B 1/18; A41D
13/00; A41D 13/0015; A41D 13/0017;
A41D 13/001; A41D 13/0025; A41D 13/005;
A41D 13/0158; A41D 2400/20; A41D
2400/38; A41D 2600/10; A41D 2600/104;
A41D 27/28
See application file for complete search history.

OTHER PUBLICATIONS

Mesh with Me Short Sleeve, posted at lululemon.com, reviewed on Mar. 28, 2015, [online], [site visited Feb. 12, 2016]. Available from Internet, <URL:http://shop.lululemon.com/products/clothes-accessories/tops-short-sleeve/Mesh-With-Me-Short-Sleeve>.*

(Continued)

Primary Examiner — Manpreet Matharu
Assistant Examiner — Aula Soroush
(74) *Attorney, Agent, or Firm* — Banner & Witcoff, Ltd.

(57) **CLAIM**
The ornamental design for a shirt, as shown and described.

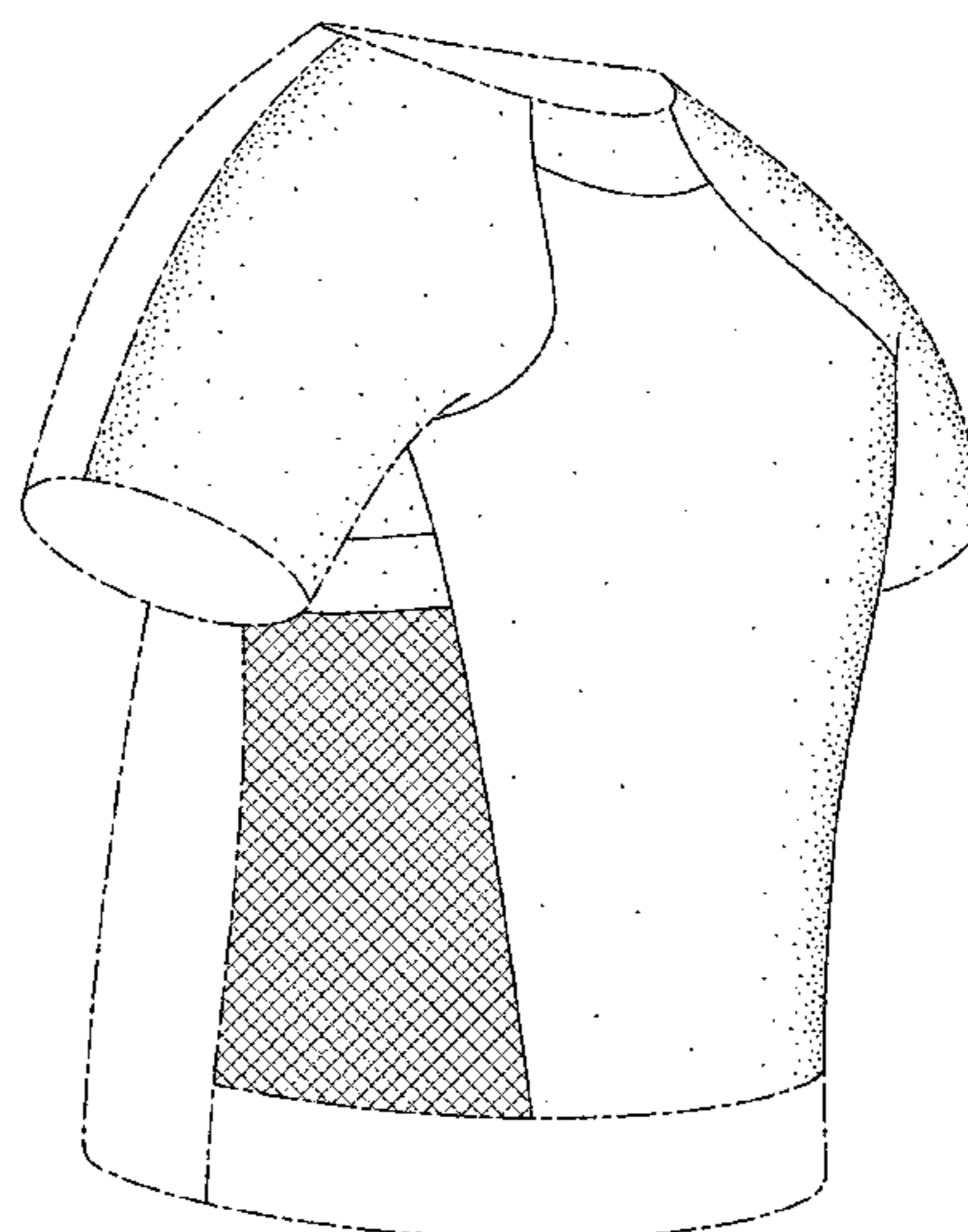
DESCRIPTION

FIG. 1 is a front left perspective view of a shirt showing my new design;
FIG. 2 is a front right perspective view thereof;
FIG. 3 is a front view thereof;
FIG. 4 is a left side view thereof;
FIG. 5 is a right side view thereof;
FIG. 6 is a top view thereof; and,
FIG. 7 is an enlarged view thereof, taken from FIG. 3.
The dashed-dot lines adjacent to the shaded areas illustrate a boundary of the claim and form no part of the claimed design. In the drawings, a randomly spaced stippling has been shown merely for the purpose of illustrating surface shading and does not represent any particular color, material, texture or finish.

1 Claim, 6 Drawing Sheets

(56) **References Cited**
U.S. PATENT DOCUMENTS

D173,274 S 10/1954 London
D306,792 S * 3/1990 Gates D2/849
D457,709 S * 5/2002 Davis D2/717
D525,412 S 7/2006 O'Mahony
D543,007 S 5/2007 Beckerman
D550,427 S 9/2007 Moore
D564,182 S 3/2008 Wiens
D575,930 S 9/2008 Vacchiano
D608,077 S 1/2010 Bybee et al.
D611,229 S 3/2010 Hall et al.



(56)

References Cited

U.S. PATENT DOCUMENTS

D654,660 S 2/2012 Jones et al.
 D661,054 S 6/2012 Minamijima et al.
 D674,168 S 1/2013 Kajino et al.
 D683,934 S 6/2013 Whaley
 D689,258 S 9/2013 DeLeon
 8,555,414 B2* 10/2013 Davis A41D 13/0053
 2/115
 D694,993 S 12/2013 Tanaka et al.
 D714,522 S 10/2014 Boyer et al.
 D715,029 S 10/2014 Roberts et al.
 D720,119 S * 12/2014 Pankhurst D2/717
 D722,217 S 2/2015 Quiban
 D722,743 S * 2/2015 Nice D2/717
 D723,248 S * 3/2015 Pankhurst D2/717
 D731,746 S * 6/2015 Pankhurst D2/717
 D732,270 S * 6/2015 Murphy D2/840
 D733,397 S * 7/2015 Harps D2/731
 D734,916 S * 7/2015 Turner D2/717
 D737,543 S * 9/2015 Turner D2/840
 D744,199 S * 12/2015 Roscoe D2/750
 D745,249 S * 12/2015 Aitch D2/731
 D745,250 S * 12/2015 McClain D2/731
 2005/0015865 A1* 1/2005 Chaix A41D 13/0015
 2/456
 2006/0218693 A1* 10/2006 Sinohui, Jr. A41D 15/005
 2/115
 2007/0271671 A1* 11/2007 Okajima A41D 1/04
 2/69
 2009/0025115 A1* 1/2009 Duffy A41D 13/0015
 2/69
 2010/0242151 A1* 9/2010 Mather A41D 1/04
 2/115

2011/0083246 A1* 4/2011 Vitarana A41D 13/0015
 2/69
 2014/0000004 A1* 1/2014 Baron A41B 1/00
 2/69
 2015/0237926 A1* 8/2015 Placanica A41D 13/0015
 2/115

OTHER PUBLICATIONS

UA Fly-By, posted at underarmour.com, reviewed on Feb. 11, 2014, [online], [site visited Feb. 12, 2016]. Available from Internet, <URL:<http://www.underarmour.com/en-us/1243037/pid1243037-540>>.*
 Puma Speed Soccer Jersey, posted at theteamfactory.com, forum post on Aug. 16, 2014, [online], [site visited Feb. 17, 2016]. Available from Internet, <URL: <https://www.theteamfactory.com/store/soccer-jerseys/puma-speed-soccer-jersey/>>.*
 Where can I get high quality plain t-shirts?, posted at ar15.com, forum post on Mar. 19, 2011, [online], [site visited Feb. 17, 2016]. Available from Internet, <URL: <https://www.ar15.com/archive/topic.html?b=1&f=5&t=1163774>>.*
 Nike Apparel Catalog, 2010 Fall Performance Apparel, p. 8, published date unknown, but prior to the filing date of the present application, NIKE, Inc.
 Nike Apparel Catalog, 2010 Fall Performance Apparel, p. 83, published date unknown, but prior to the filing date of the present application, NIKE, Inc.
 Nike Apparel Catalog, 2010 Holiday Young Athletes Apparel, p. 27, published date unknown, but prior to the filing date of the present application, NIKE, Inc.
 Nike Apparel Catalog, 2011 Holiday Men's Performance Apparel, p. 7, published date unknown, but prior to the filing date of the present application, NIKE, Inc.

* cited by examiner

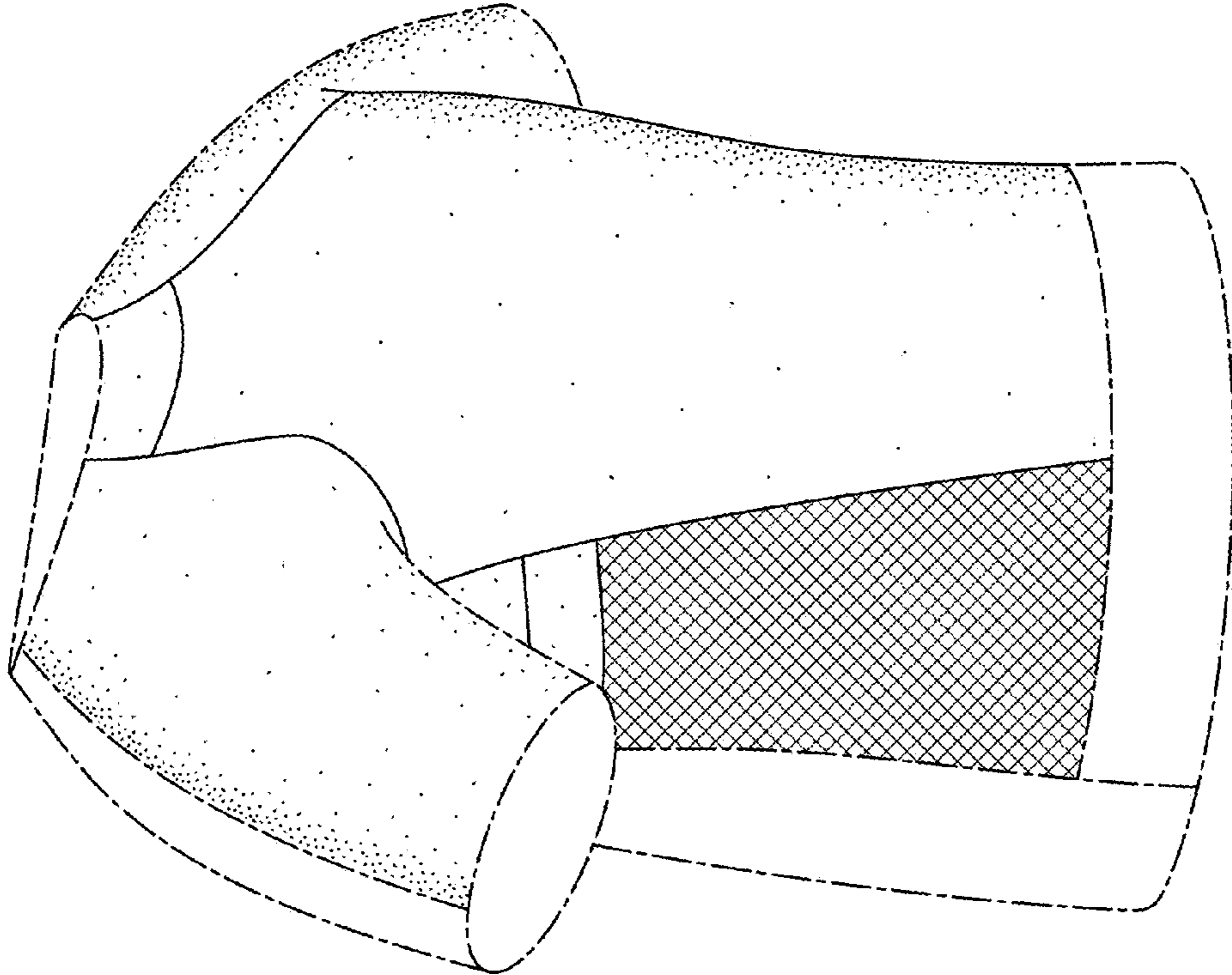


FIG. 1

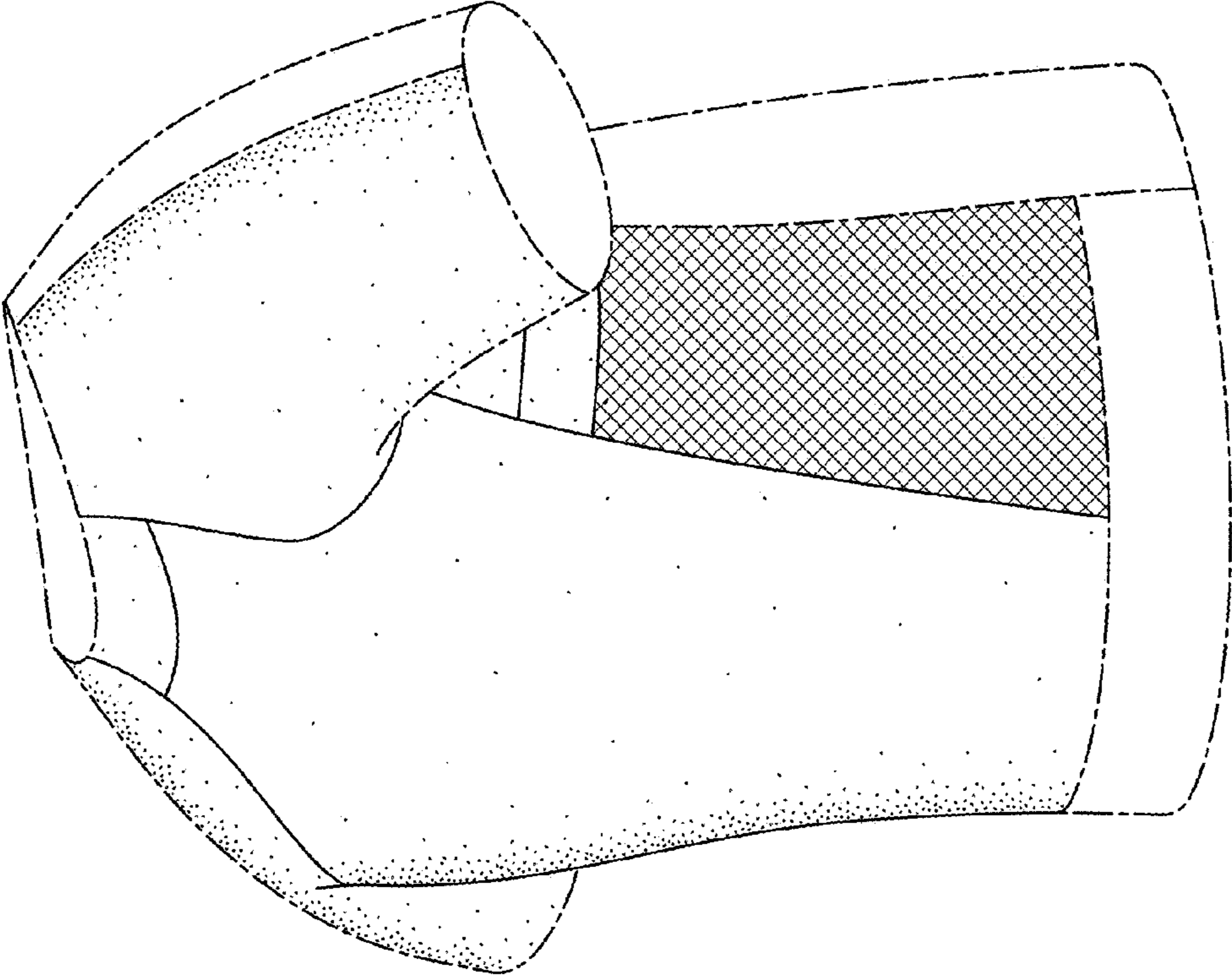


FIG. 2

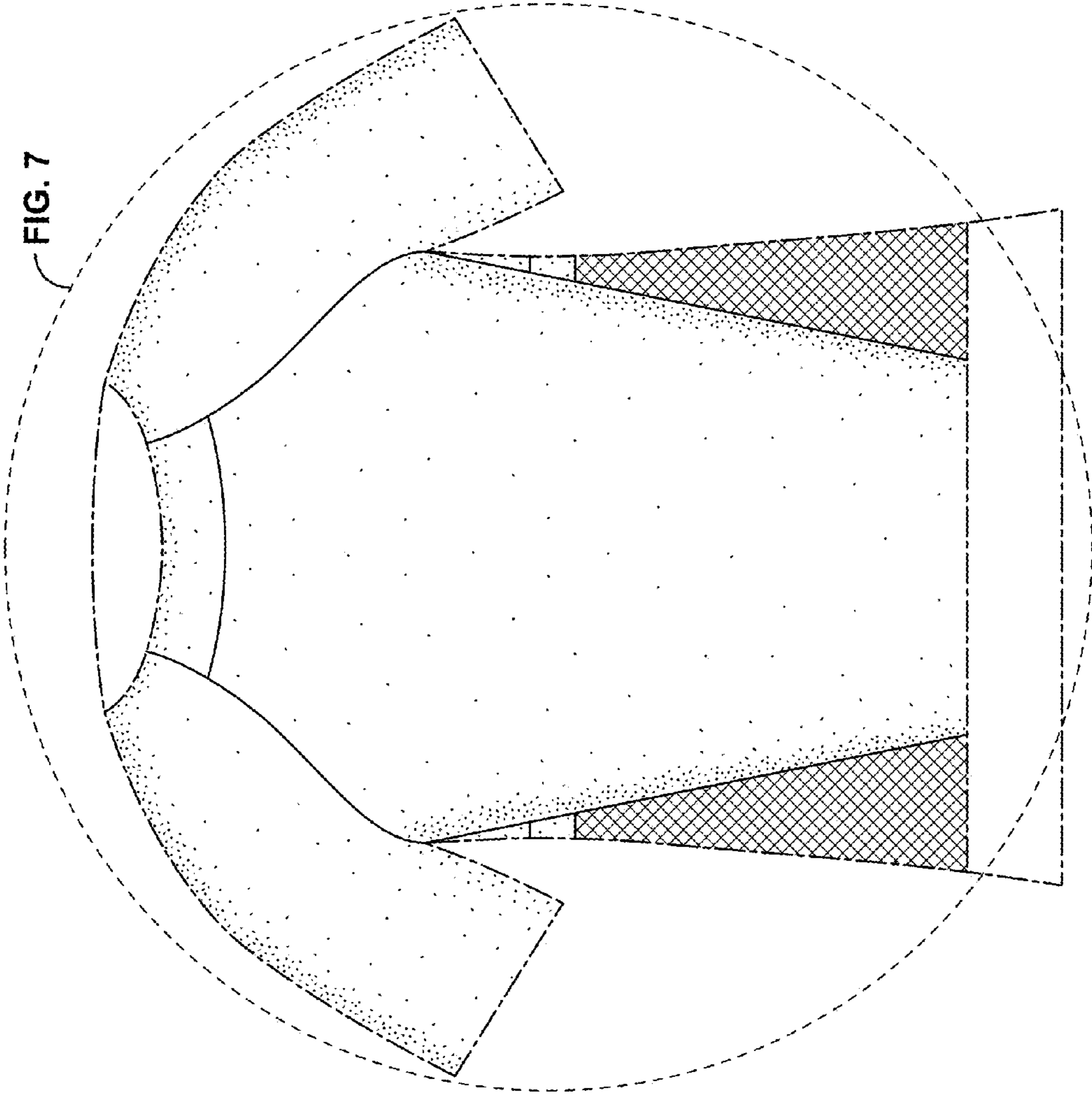


FIG. 7

FIG. 3

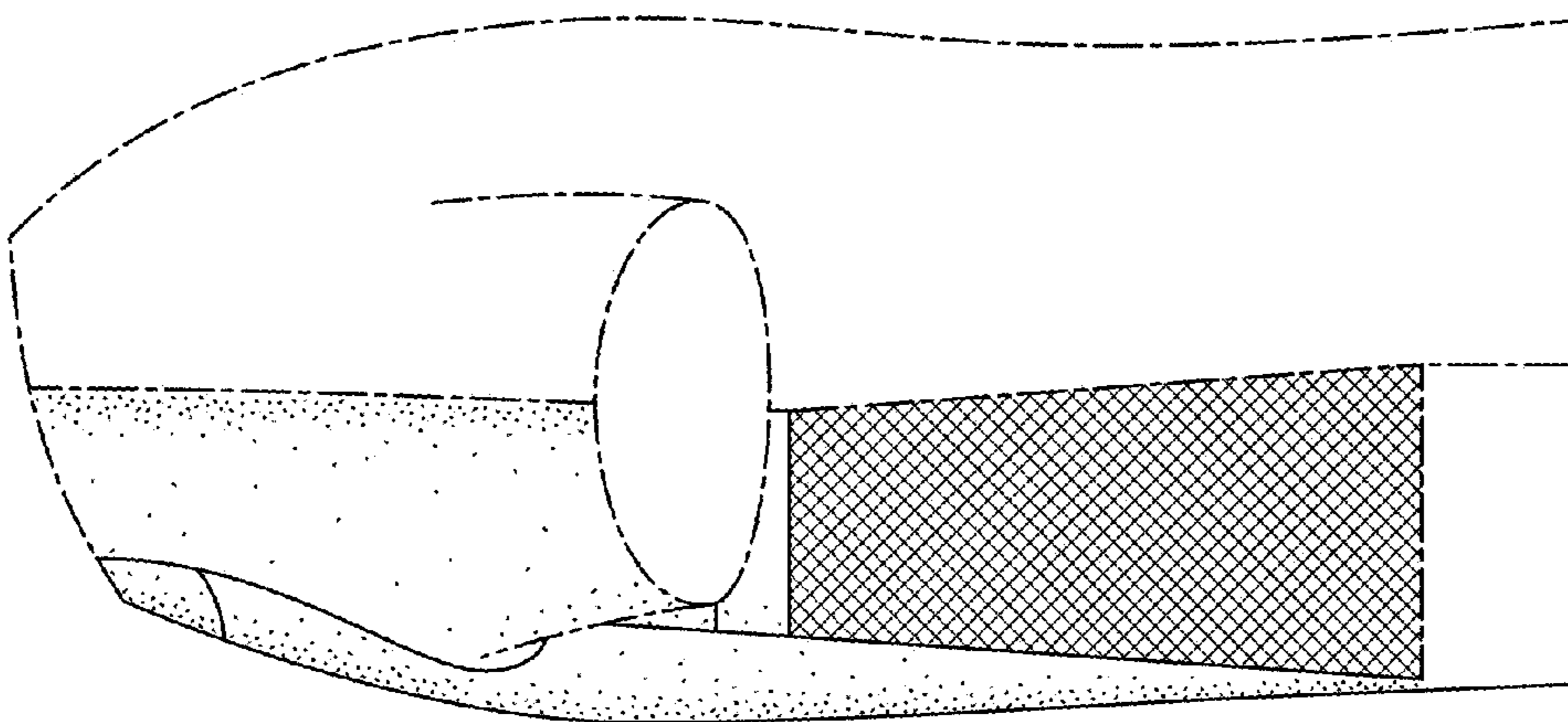


FIG. 5

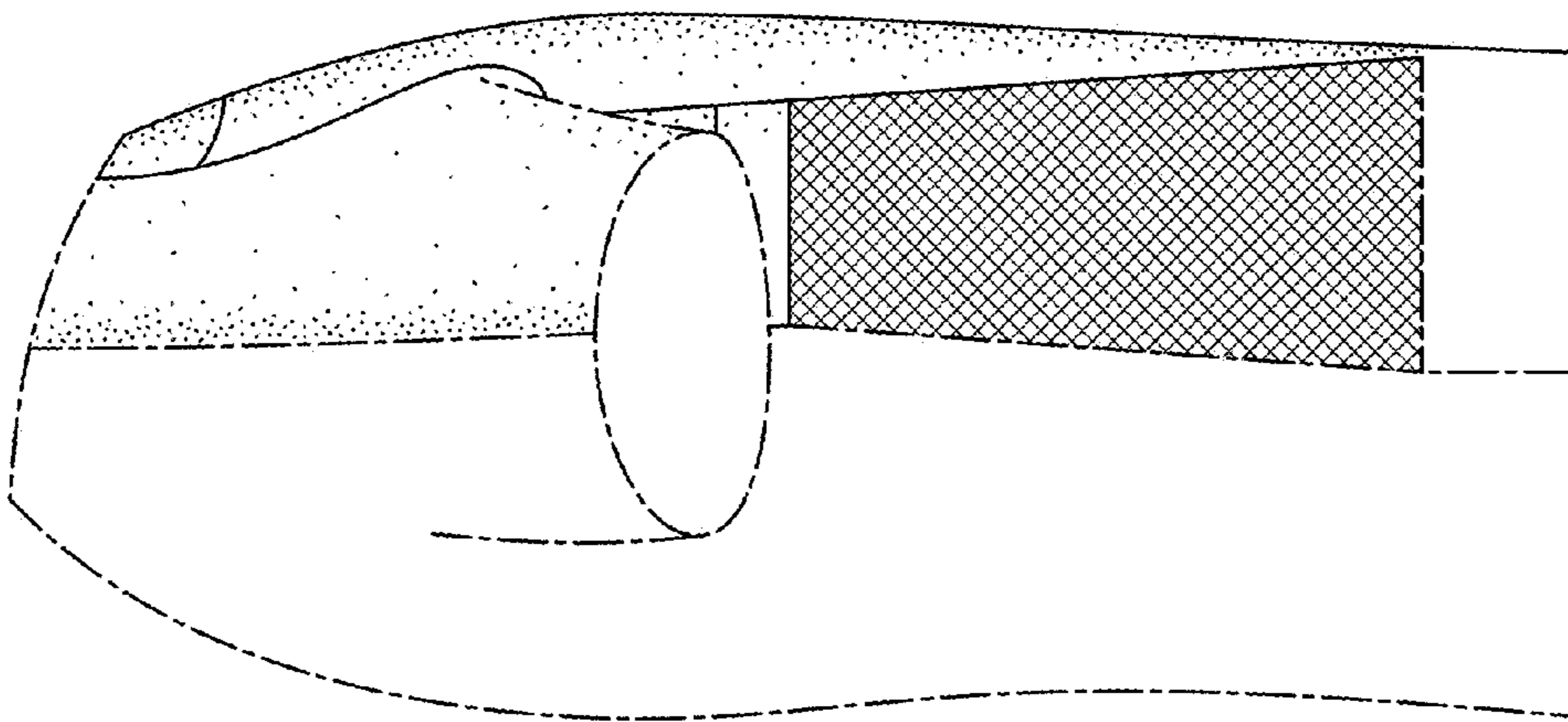


FIG. 4

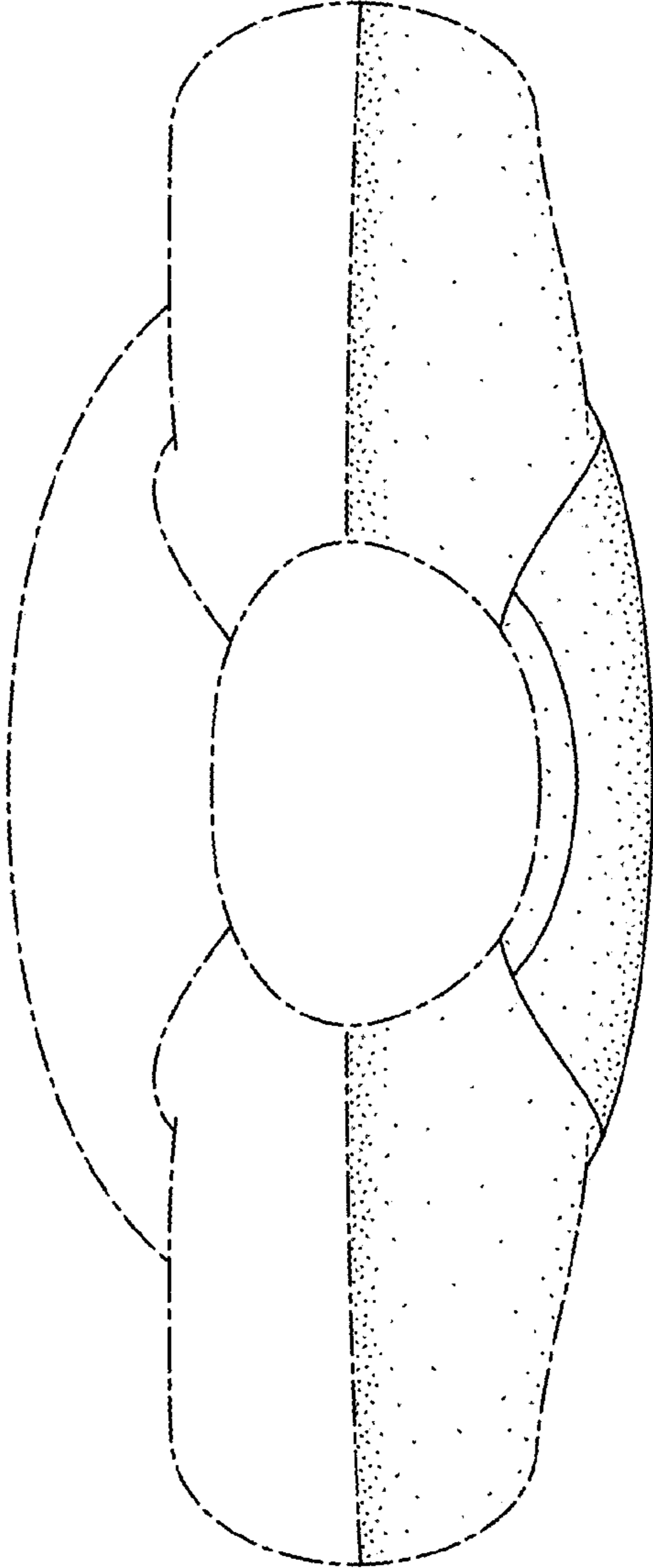


FIG. 6

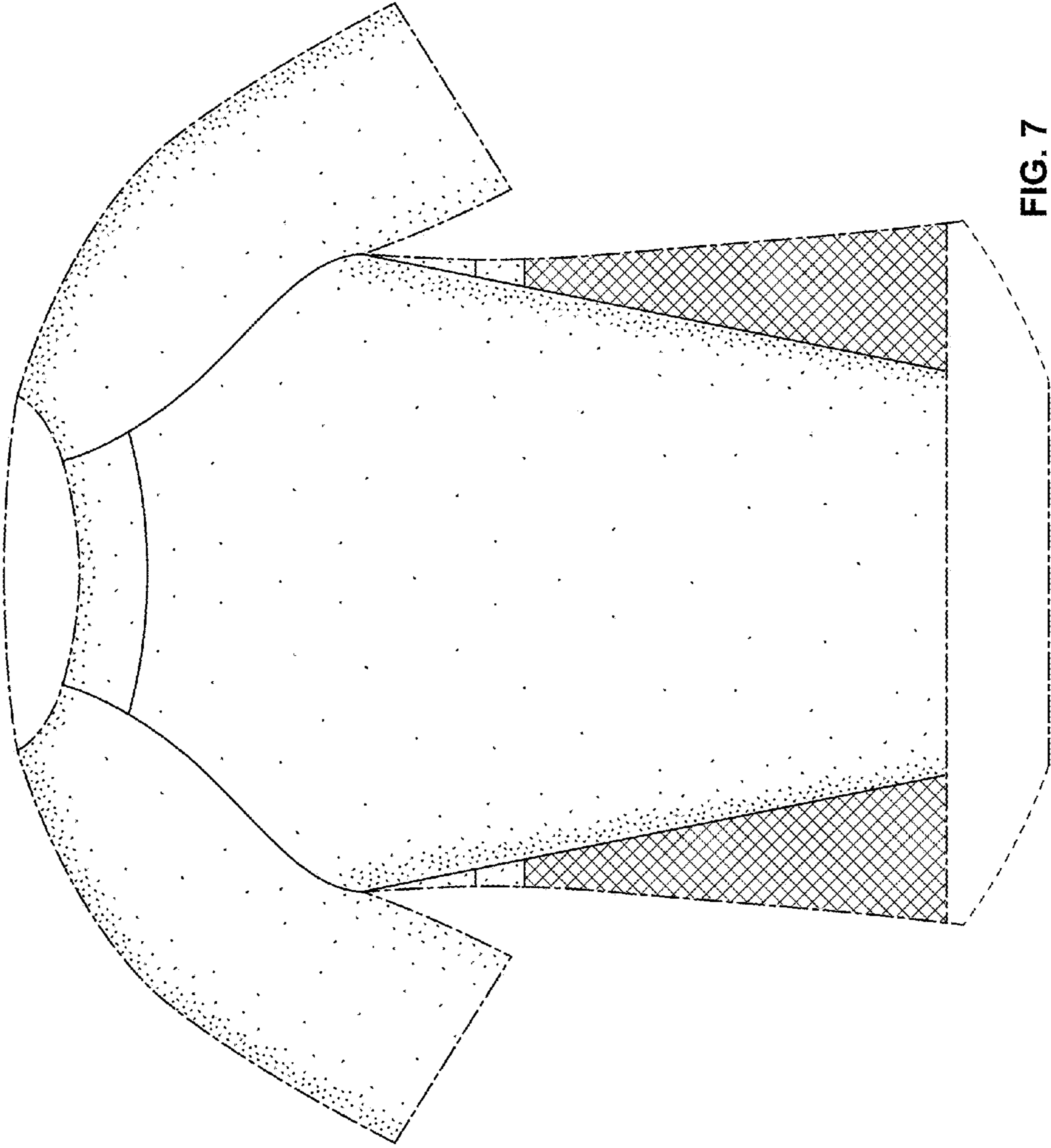


FIG. 7