

US00D760478S

(12) **United States Design Patent**
Puckett

(10) **Patent No.:** **US D760,478 S**
(45) **Date of Patent:** **** Jul. 5, 2016**

(54) **COOLING VEST**

(71) Applicant: **Todd Alan Puckett**, Savannah, GA (US)

(72) Inventor: **Todd Alan Puckett**, Savannah, GA (US)

(**) Term: **14 Years**

(21) Appl. No.: **29/481,516**

(22) Filed: **Feb. 6, 2014**

(51) **LOC (10) Cl.** **02-02**

(52) **U.S. Cl.**
USPC **D2/829**

(58) **Field of Classification Search**

USPC D2/828, 829, 840, 739, 750, 853, 830,
D2/834, 833, 845, 836, 838, 839, 841, 843,
D2/844, 847, 849, 724, 725, 717, 720, 728,
D2/741; 2/92, 93, 96, 98, 99, 100, 101,
2/126, 108, 113, 102, 115, DIG. 1;
D29/101.5, 101, 4; D21/683, 804, 805;
482/105; D24/200, 206-207; 62/259.3,
62/259.4; 607/96

CPC A41D 1/02; A41D 1/04; A41D 1/18;
A41D 13/0012; A41D 13/0051; A41D
13/0053; A41D 13/0518; A41D 3/00

See application file for complete search history.

(56) **References Cited**

U.S. PATENT DOCUMENTS

3,610,323 A * 10/1971 Troyer A41D 13/0053
165/46
4,118,946 A * 10/1978 Tubin A41D 13/0053
126/204

(Continued)

OTHER PUBLICATIONS

[Online] http://www.polarproducts.com/polarshop/pc/catalog/cool_flow_example_surg.jpg. Retrieved Nov. 23, 2015.*

(Continued)

Primary Examiner — Garth Rademaker

Assistant Examiner — Melanie Pellegrini

(74) *Attorney, Agent, or Firm* — FisherBroyles, LLP; Jason M. Pass

(57) **CLAIM**

I claim the ornamental design for a cooling vest, as shown and described.

DESCRIPTION

A portion of the disclosure of this patent document contains material to which a claim for copyright is made. The copyright owner has no objection to the reproduction of the patent document or the patent disclosure, as it appears in the U.S. Patent Office records, but reserves all other copyright rights whatsoever.

FIG. 1 is a front view of a first embodiment of a cooling vest according to my design;

FIG. 2 is a rear view of the cooling vest of FIG. 1;

FIG. 3 is a front perspective view of the cooling vest of FIG. 1;

FIG. 4 is a rear perspective view of the cooling vest of FIG. 1;

FIG. 5 is right side view of the cooling vest of FIG. 1;

FIG. 6 is left side view of the cooling vest of FIG. 1;

FIG. 7 is a partial view illustrating the profile taken through the line 7-7 as shown in FIG. 5;

FIG. 8 is a partial view illustrating the profile taken through the line 8-8 as shown in FIG. 5;

FIG. 9 is a partial view illustrating the profile taken through the line 9-9 as shown in FIG. 1;

FIG. 10 is a partial view illustrating the profile taken through the line 10-10 as shown in FIG. 1;

FIG. 11 is a front view of a second embodiment of a cooling vest according to my design;

FIG. 12 is a rear view of the cooling vest of FIG. 11;

FIG. 13 is a right side view of the cooling vest of FIG. 11;

FIG. 14 is a left side view of the cooling vest of FIG. 11;

FIG. 15 is a partial view illustrating the profile taken through the line 15-15 as shown in FIG. 11;

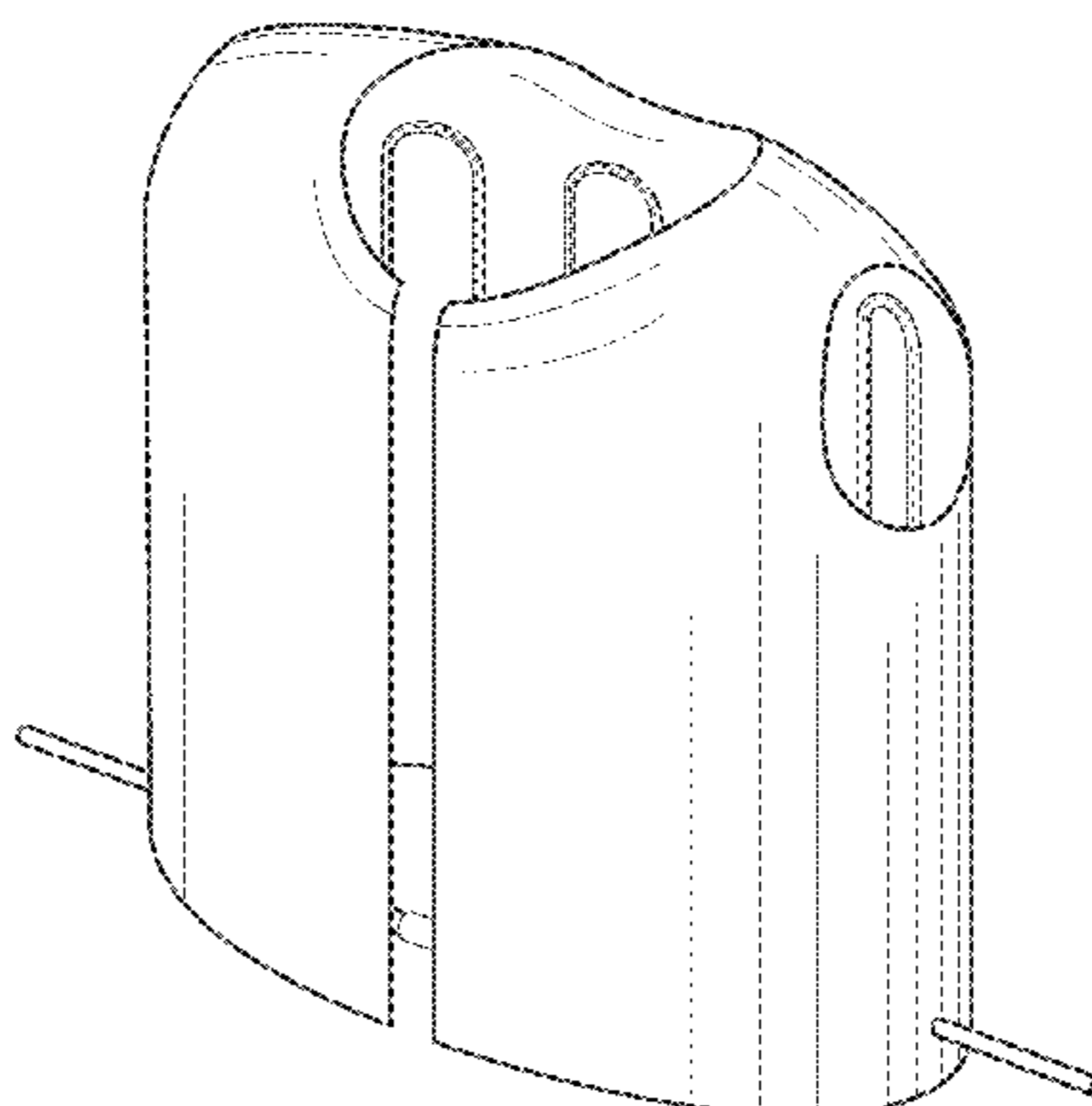
FIG. 16 is a partial view illustrating the profile taken through the line 16-16 as shown in FIG. 11;

FIG. 17 is a partial view illustrating the profile taken through the line 17-17 as shown in FIG. 13; and,

FIG. 18 is a partial view illustrating the profile taken through the line 18-18 as shown in FIG. 13.

The broken lines in the drawings illustrate portion of the cooling vest which form no part of the claimed design.

1 Claim, 18 Drawing Sheets



(56)

References Cited

U.S. PATENT DOCUMENTS

4,718,429 A * 1/1988 Smidt A61F 7/10
607/104
4,998,415 A * 3/1991 Larsen A41D 13/0053
62/231
7,744,640 B1 * 6/2010 Faries, Jr. A61F 13/00
607/108
8,375,475 B2 * 2/2013 Rose A62B 17/003
2/272
2008/0141696 A1 * 6/2008 Fuchs A41D 13/0055
62/259.3

2009/0264969 A1* 10/2009 Gammons A61F 7/02
607/104
2010/0223943 A1* 9/2010 Loukaides A41D 13/0053
62/259.3
2012/0227432 A1* 9/2012 Creech F25D 31/00
62/259.3

OTHER PUBLICATIONS

[Online] http://www.outpatientsurgery.net/did-you-see-this/uploads/494_Coolshirt---CoolVest.jpg. Retrieved Nov. 23, 2015.*
[Online] <http://vintexfire.com/wp-content/uploads/2015/03/6429-Blue-300-dpi.jpg>. Retrieved Nov. 23, 2015.*

* cited by examiner

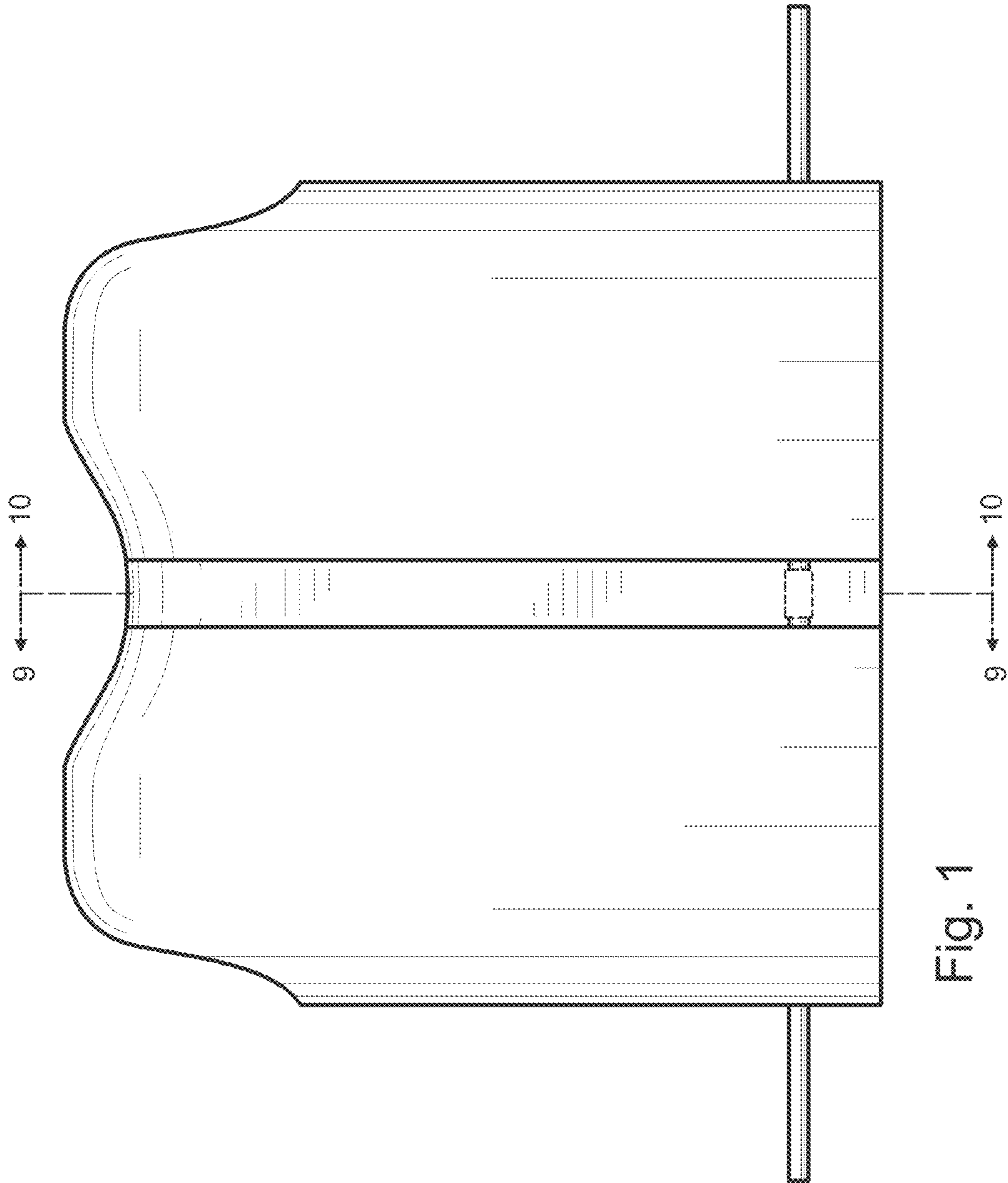


Fig. 1

©2014 Todd Alan Puckett

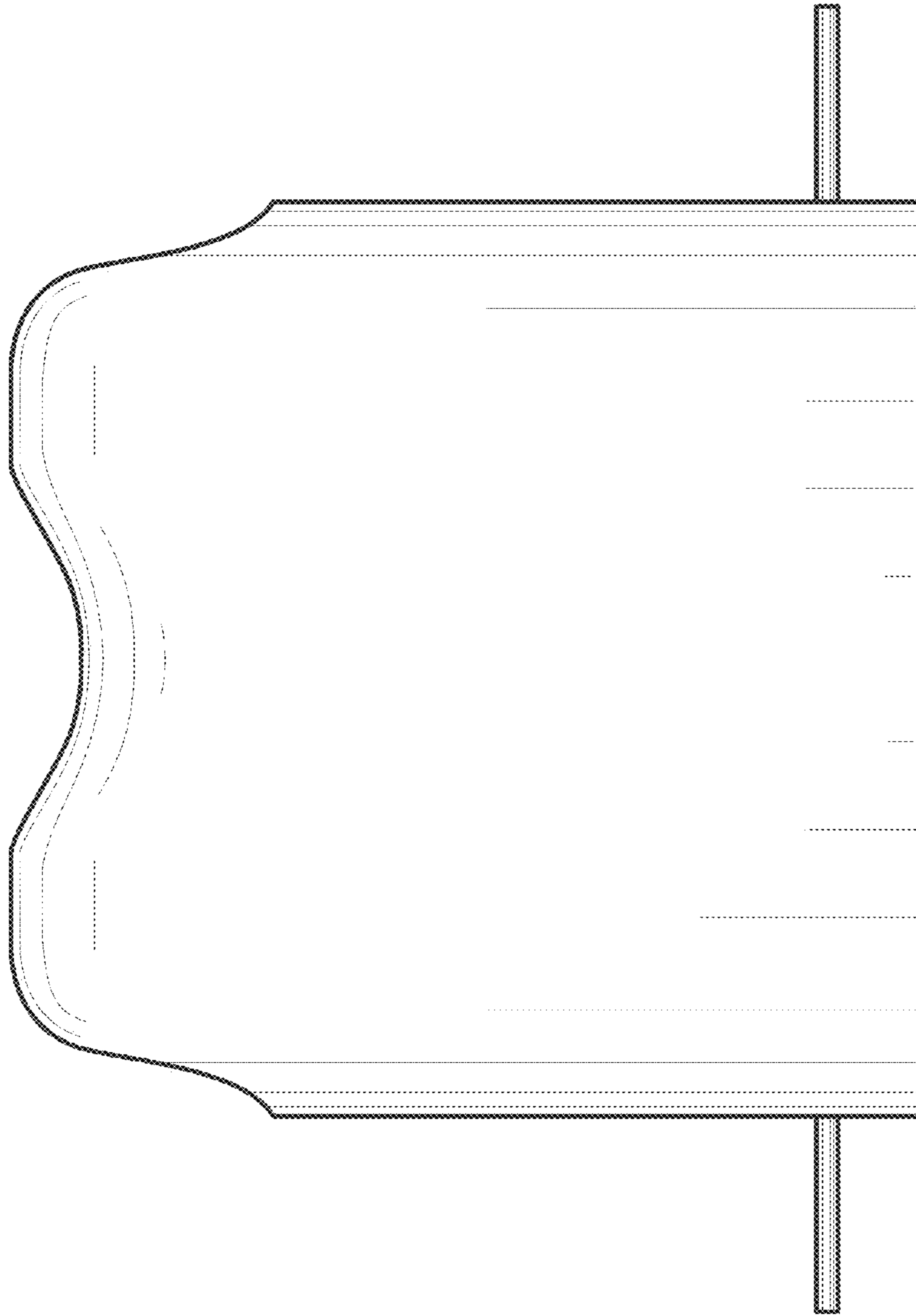


Fig. 2

©2014 Todd Alan Puckett

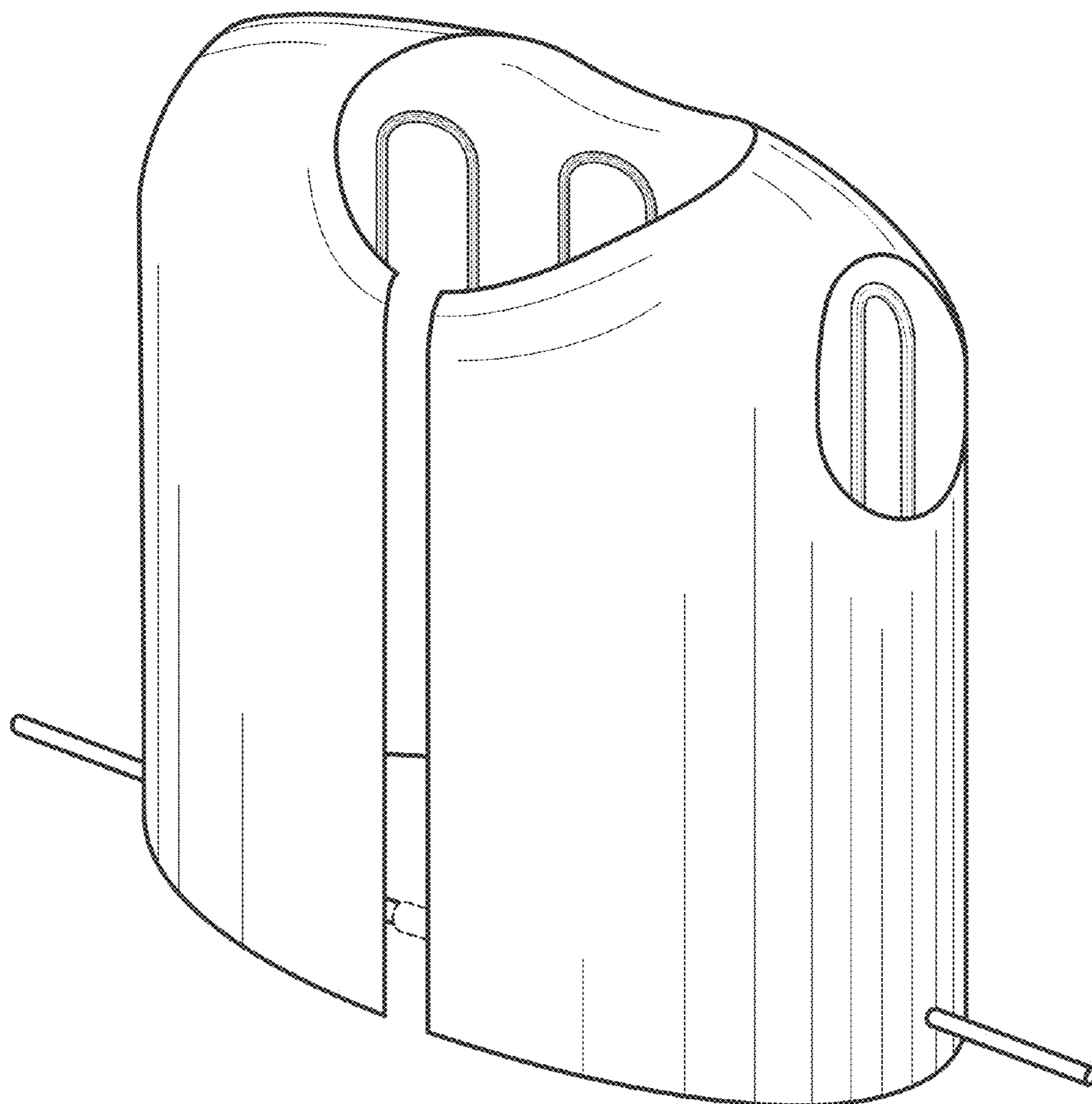


Fig. 3

©2014 Todd Alan Puckett

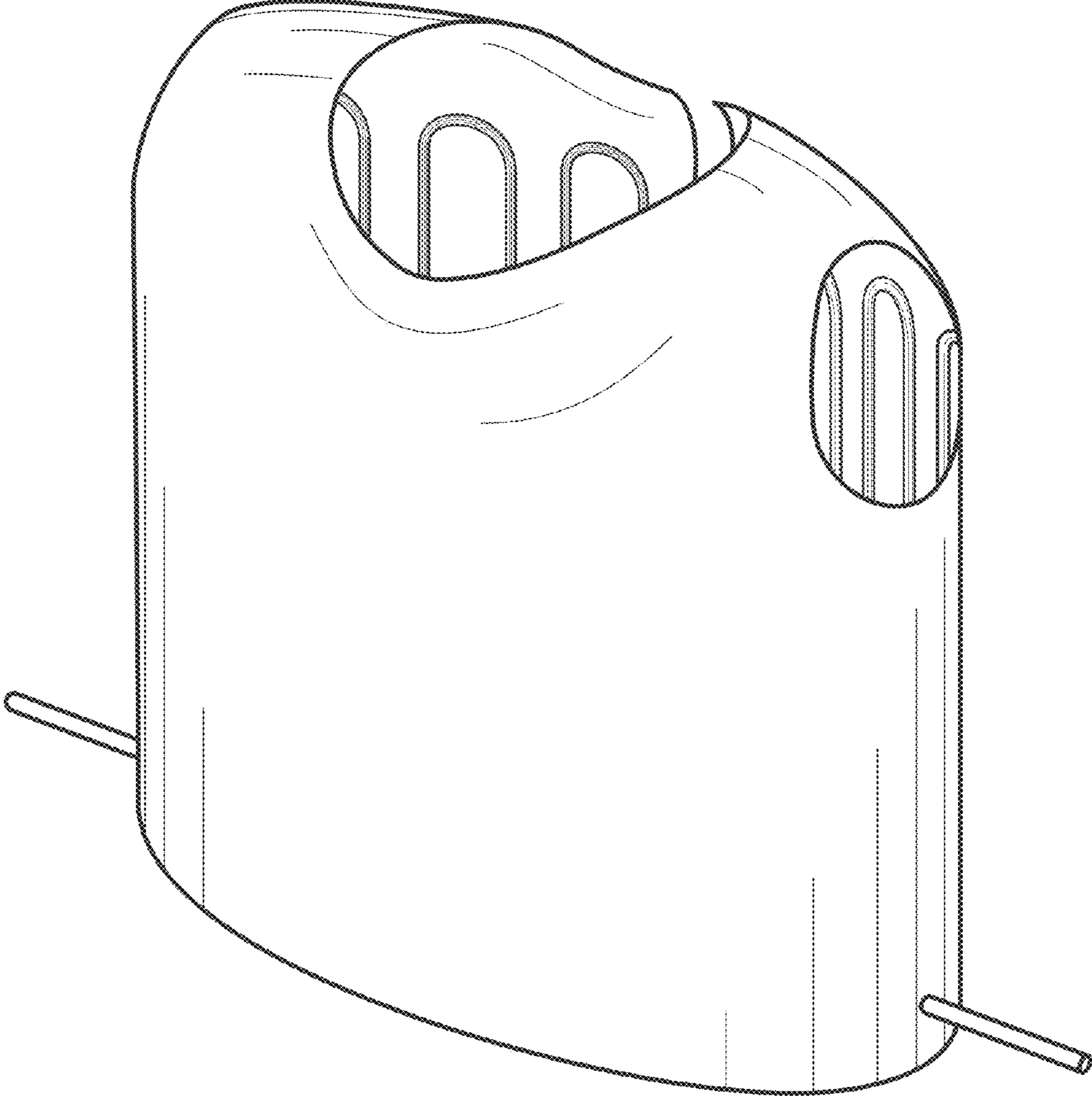


Fig. 4

©2014 Todd Alan Puckett

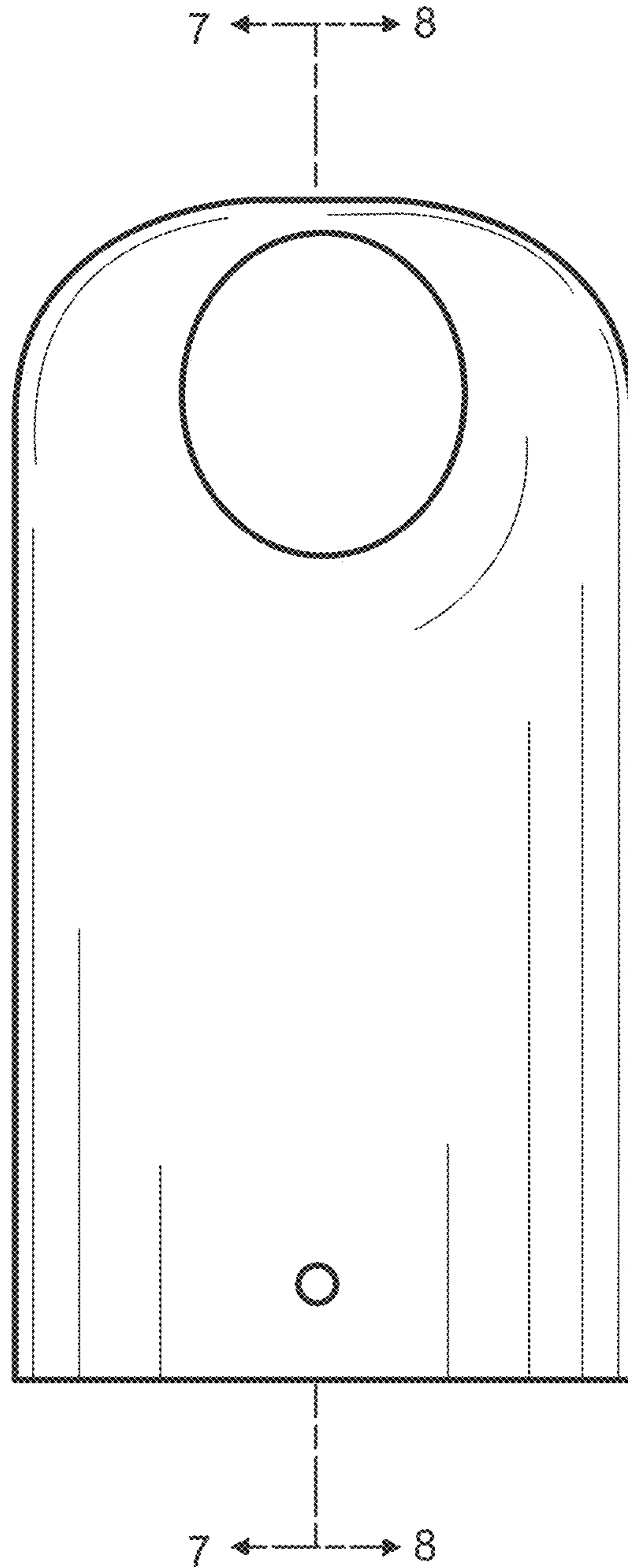


Fig. 5

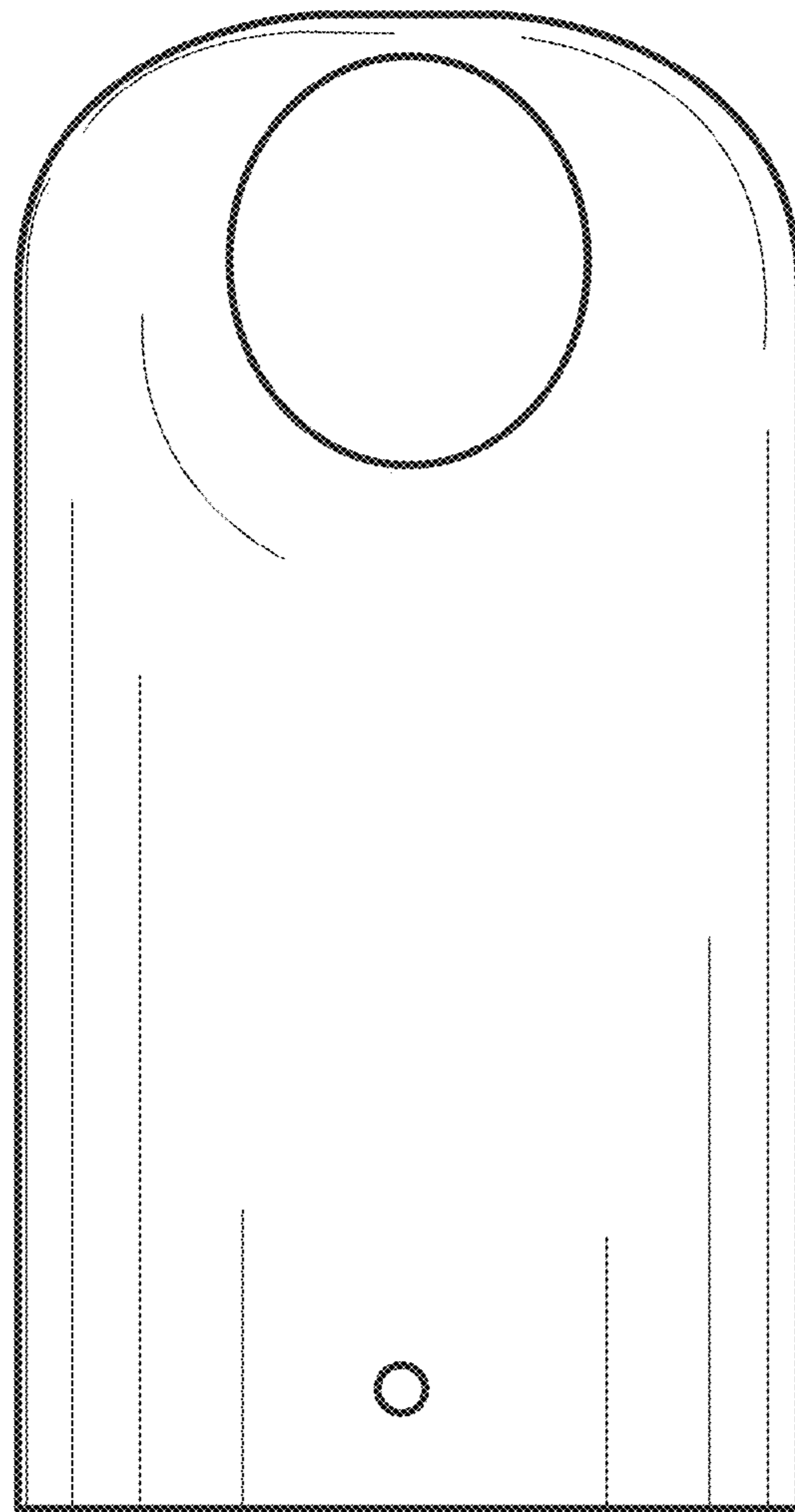


Fig. 6

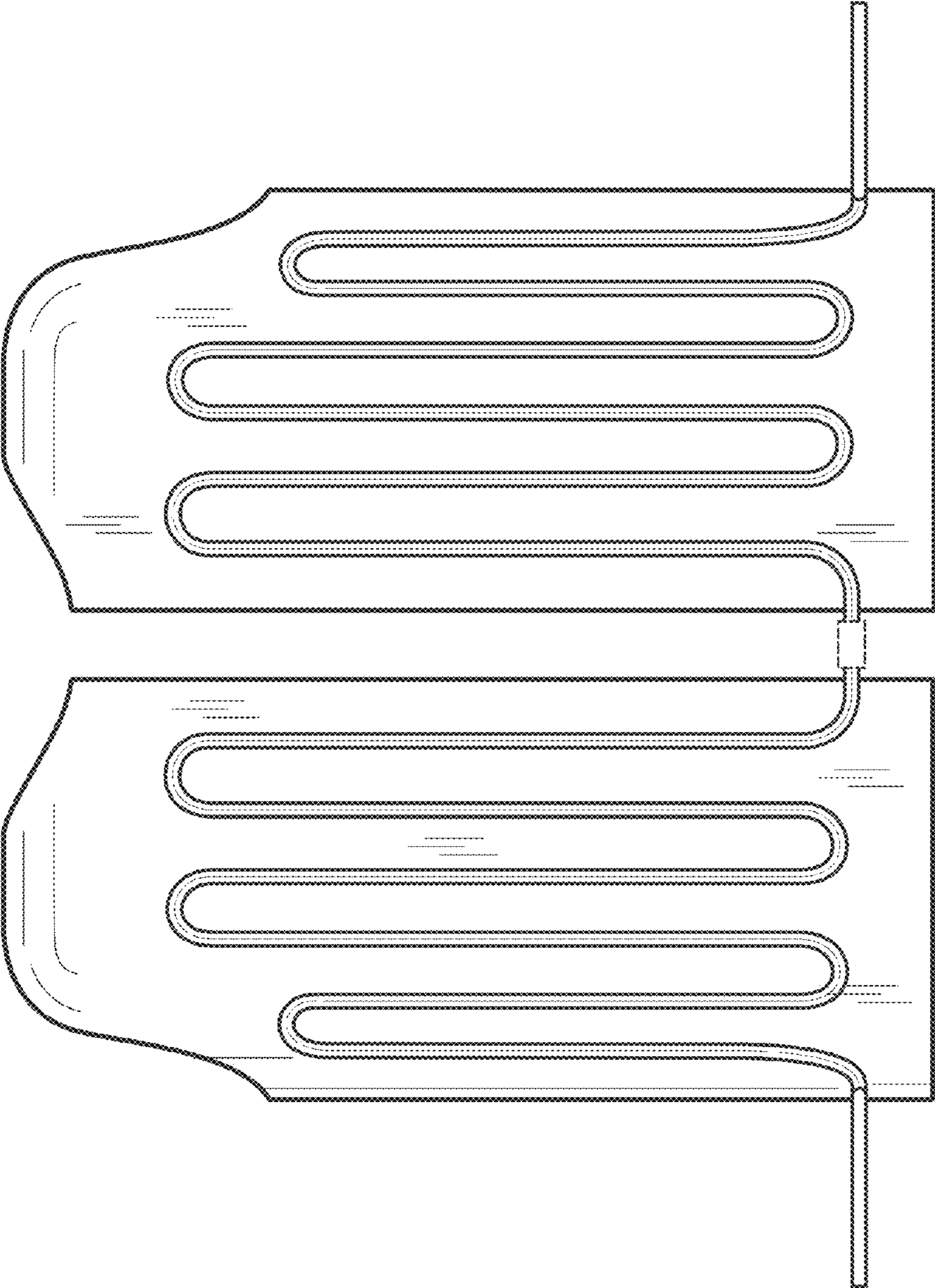


Fig. 7

©2014 Todd Alan Puckett

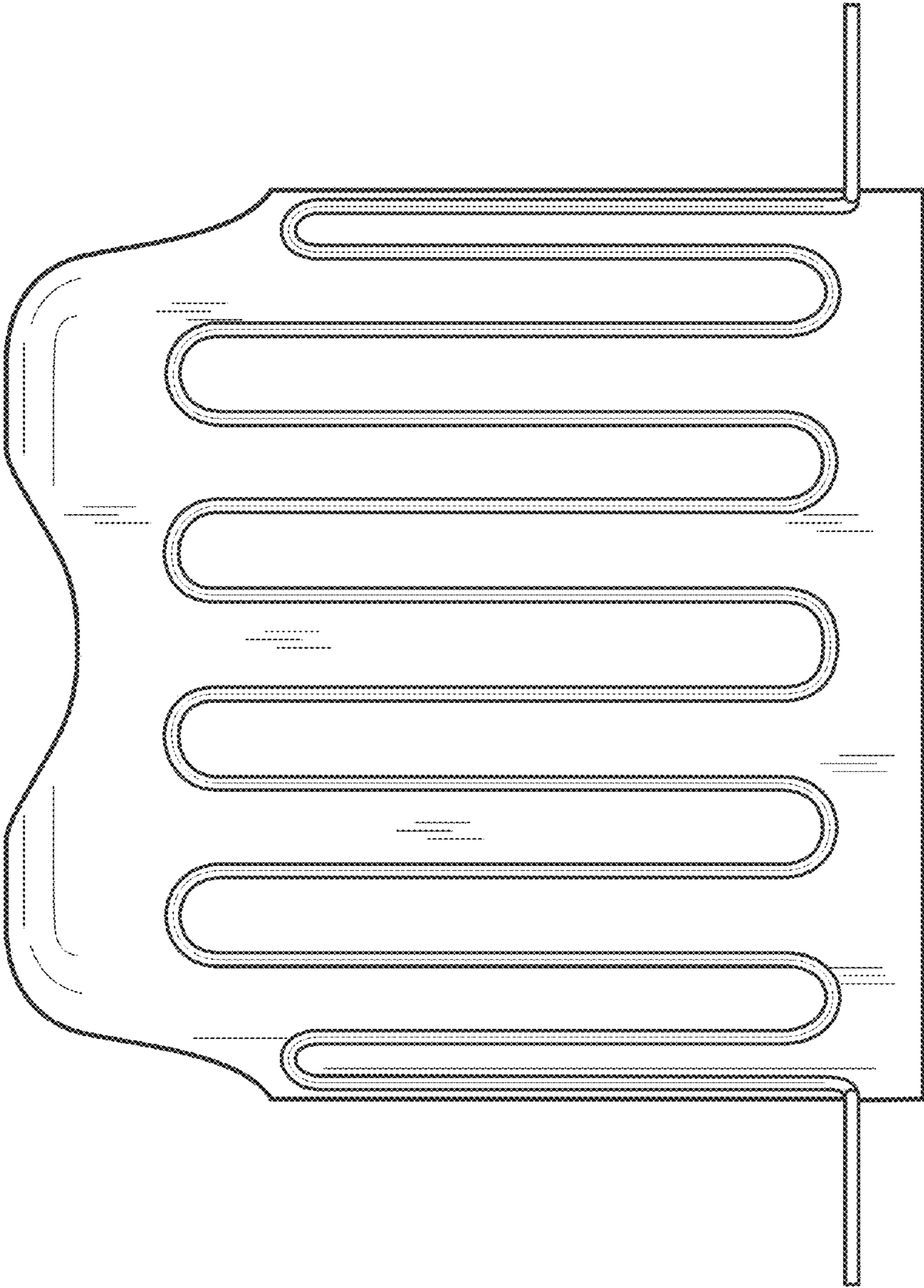


Fig. 8

©2014 Todd Alan Puckett

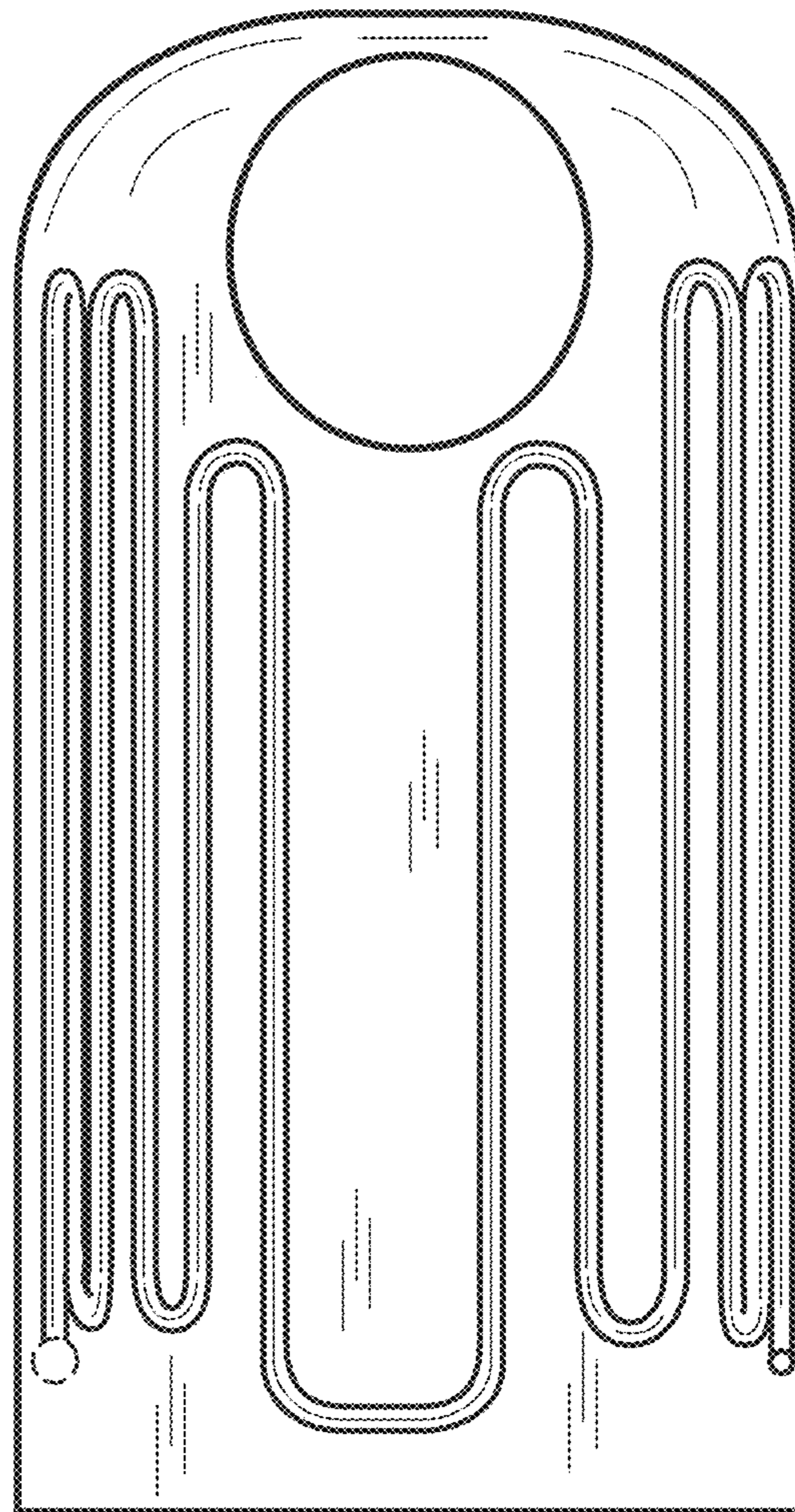


Fig. 9

©2014 Todd Alan Puckett

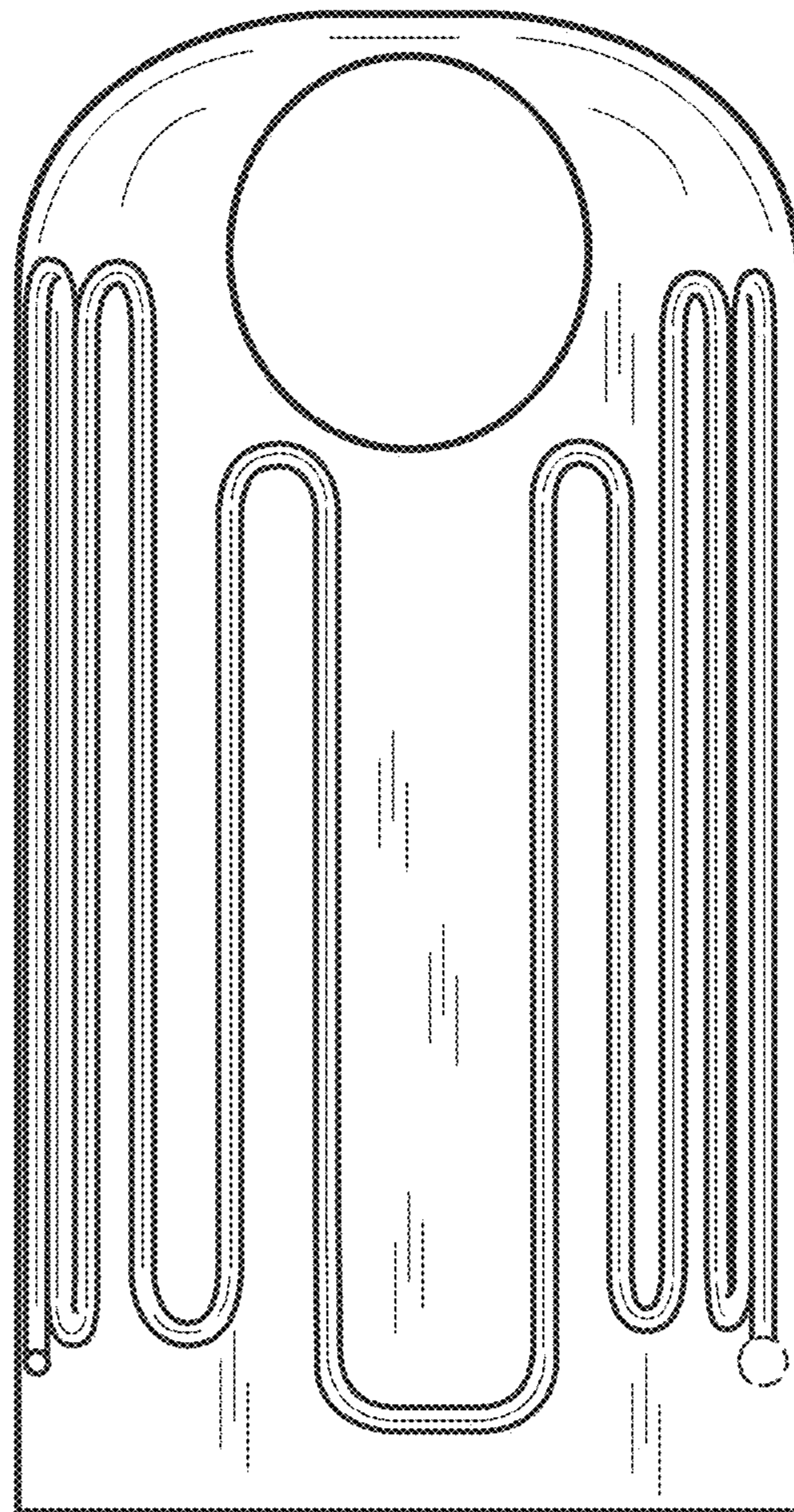


Fig. 10

©2014 Todd Alan Puckett

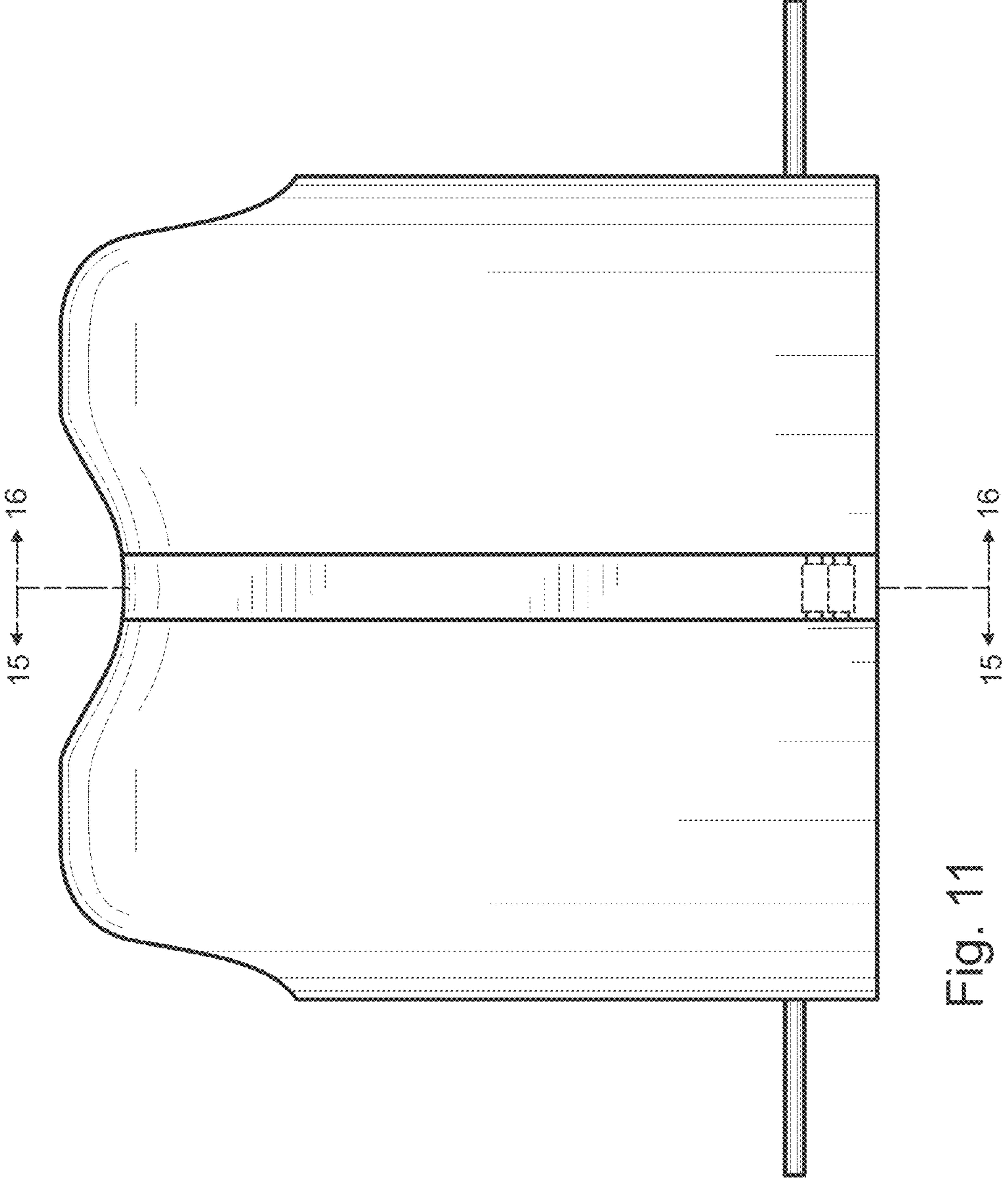


Fig. 11

©2014 Todd Alan Puckett

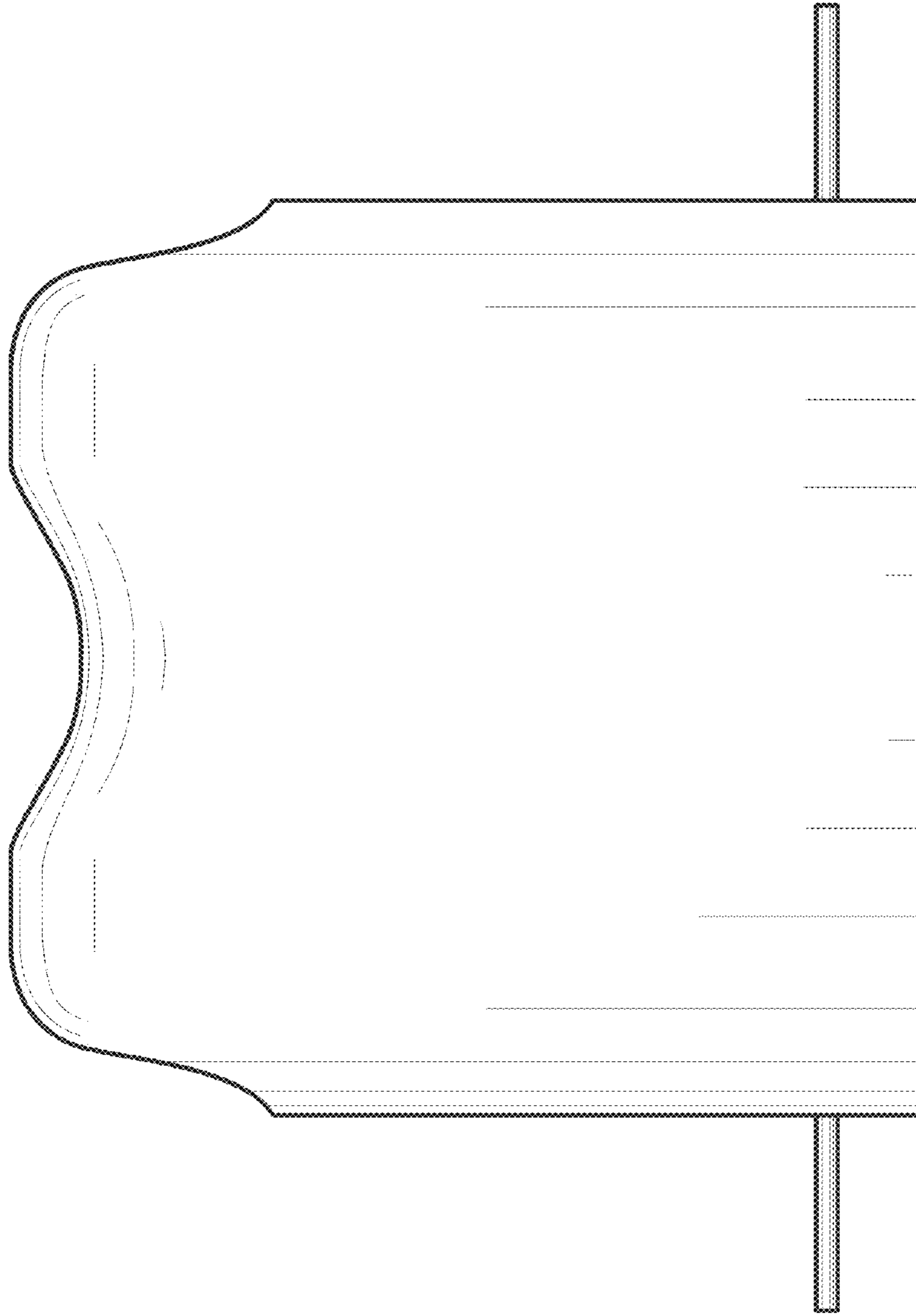


Fig. 12

©2014 Todd Alan Puckett

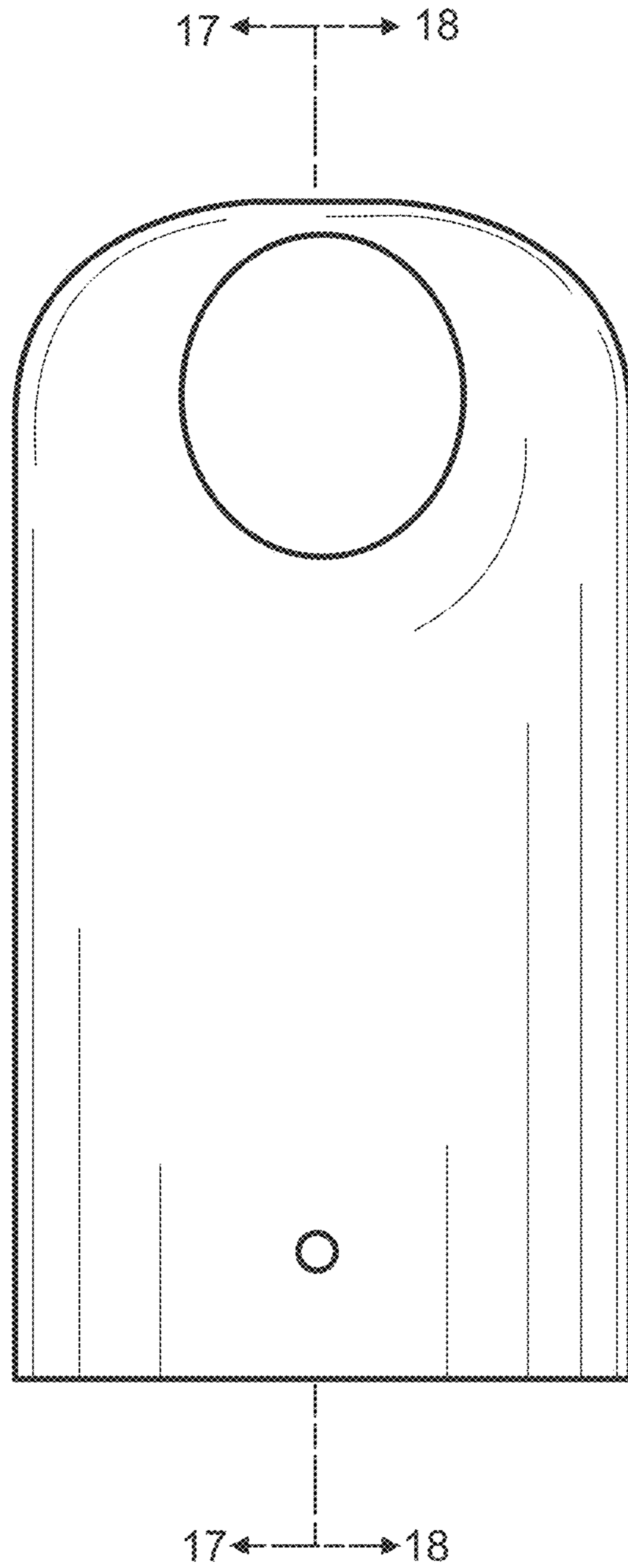


Fig. 13

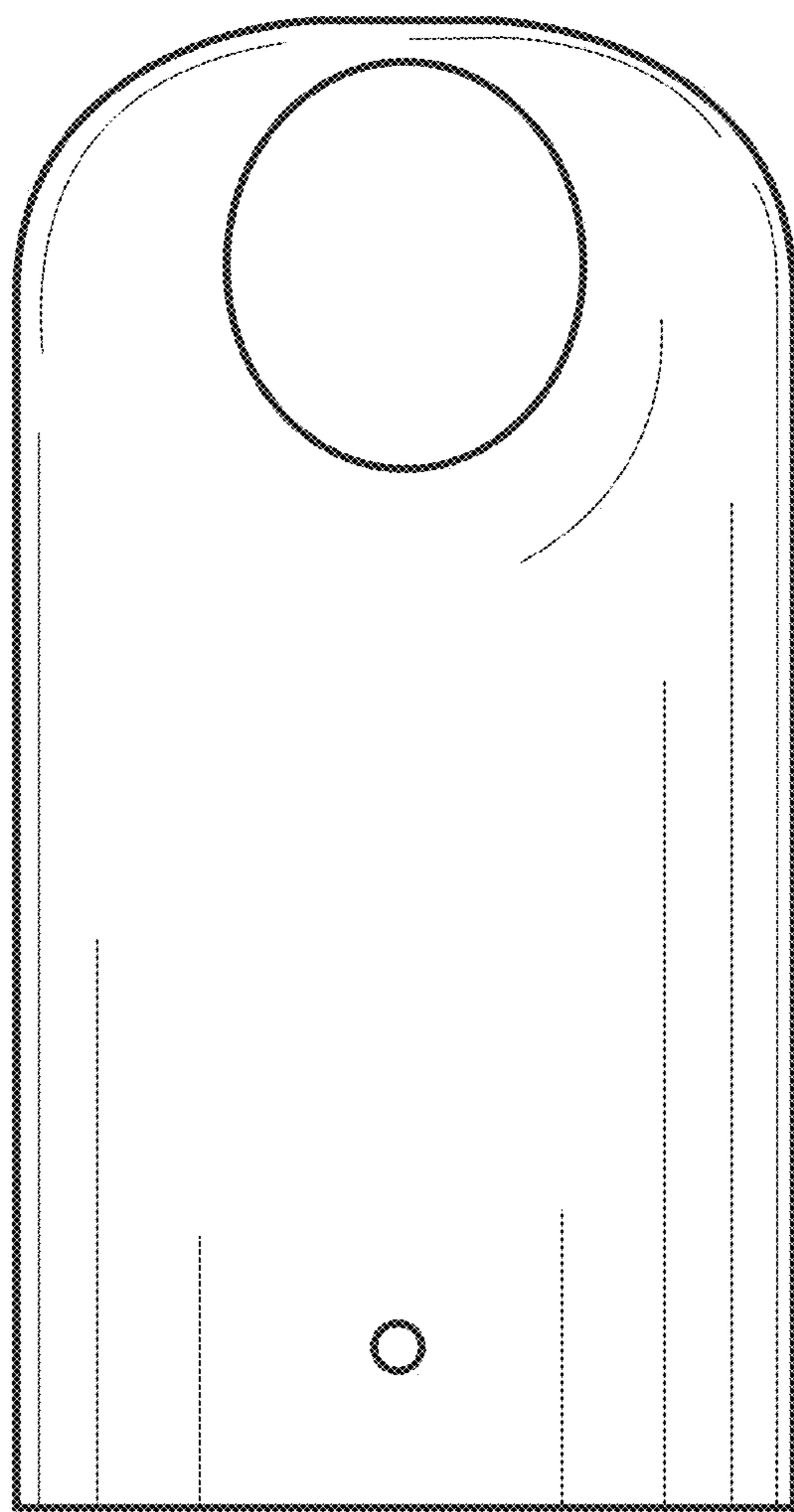


Fig. 14

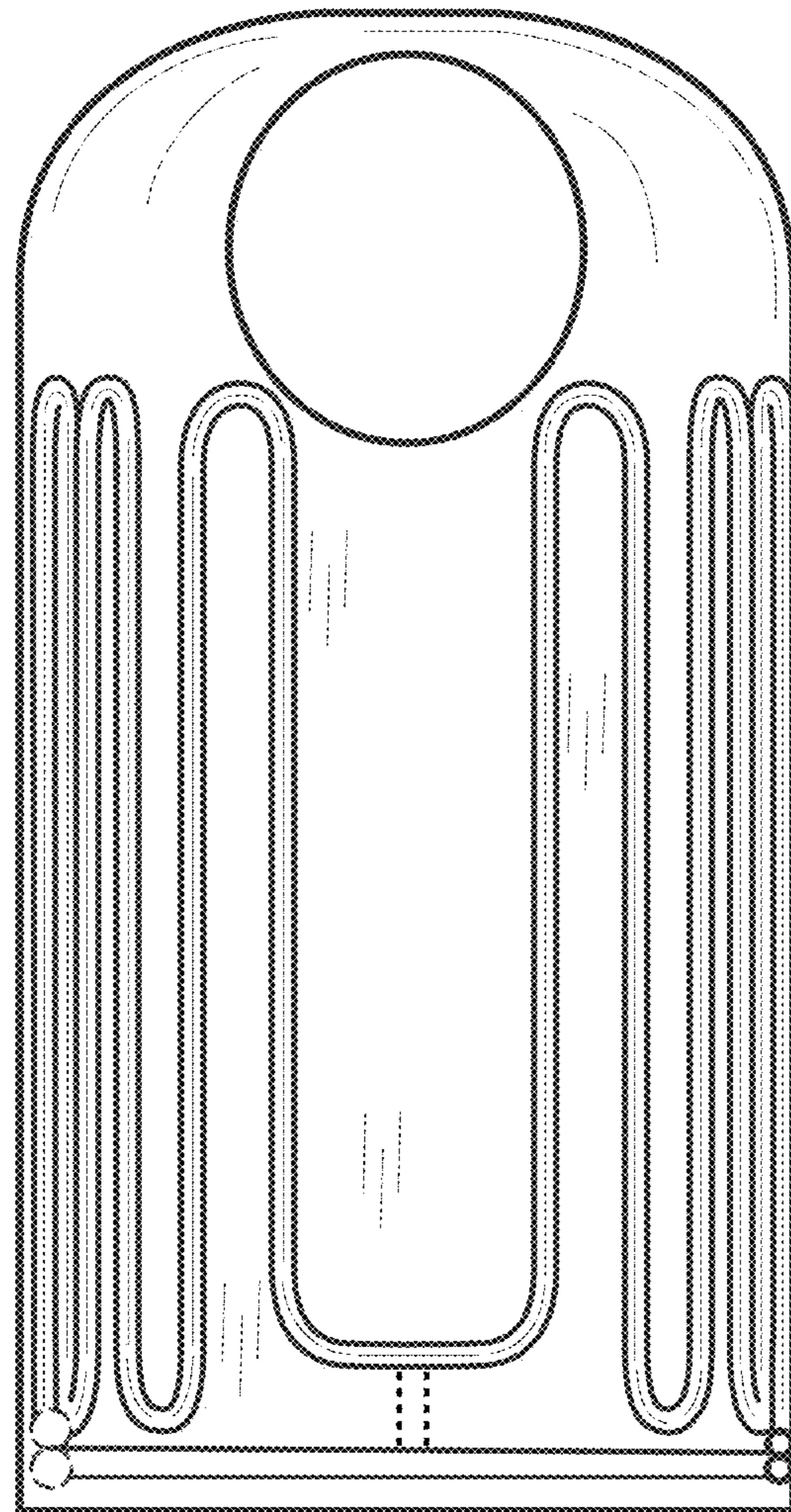


Fig. 15

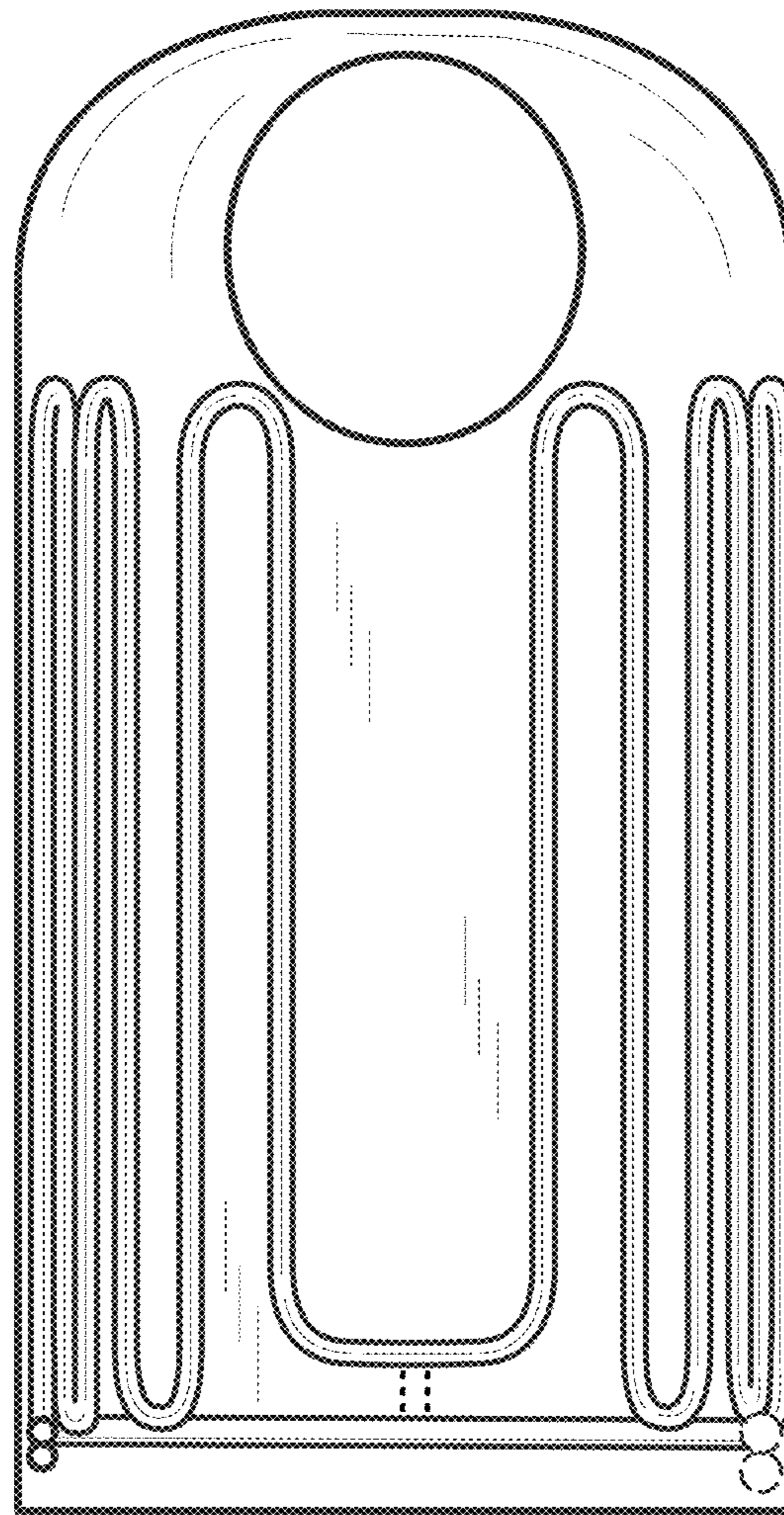


Fig. 16

©2014 Todd Alan Puckett

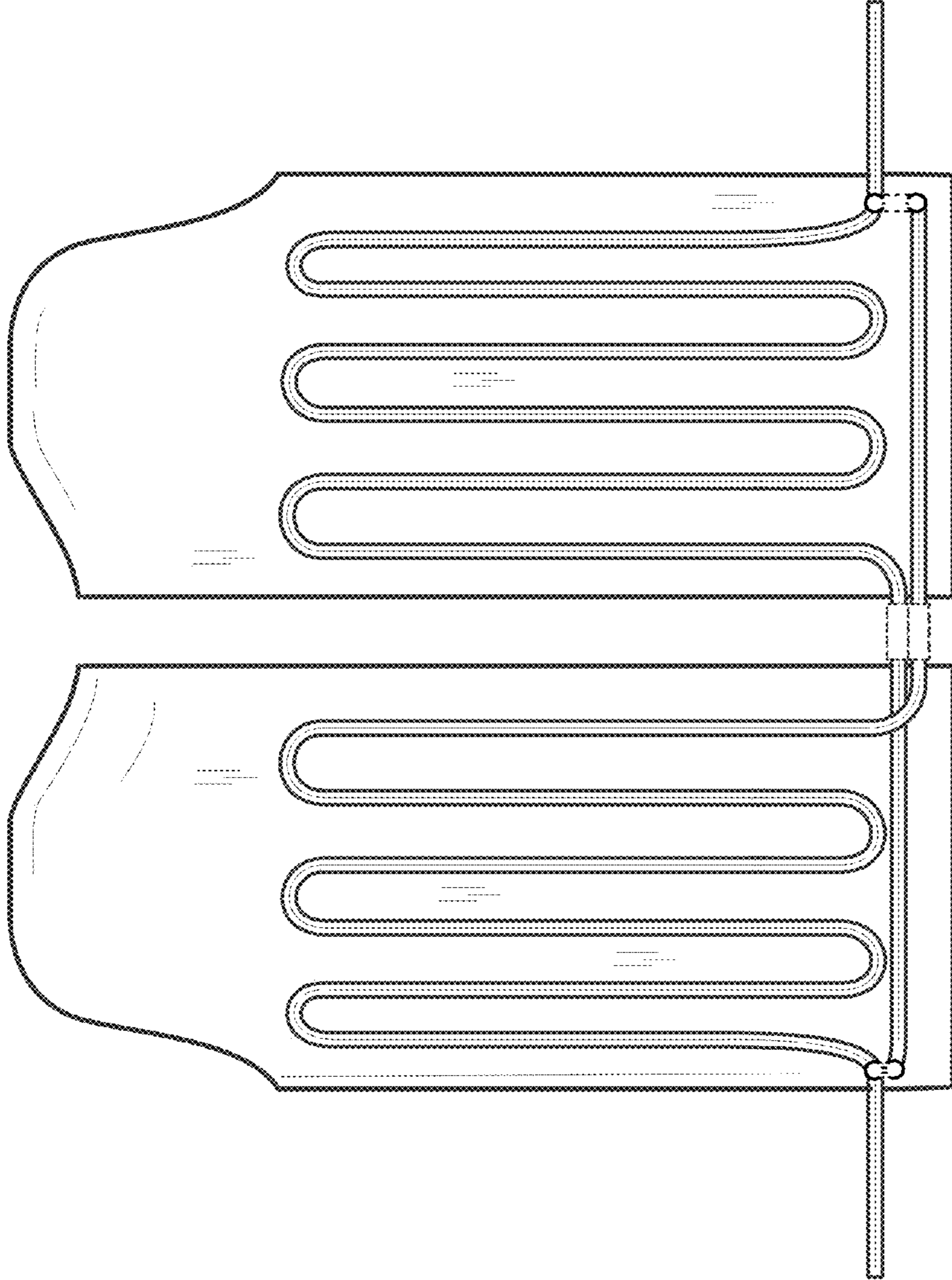


Fig. 17

©2014 Todd Alan Puckett

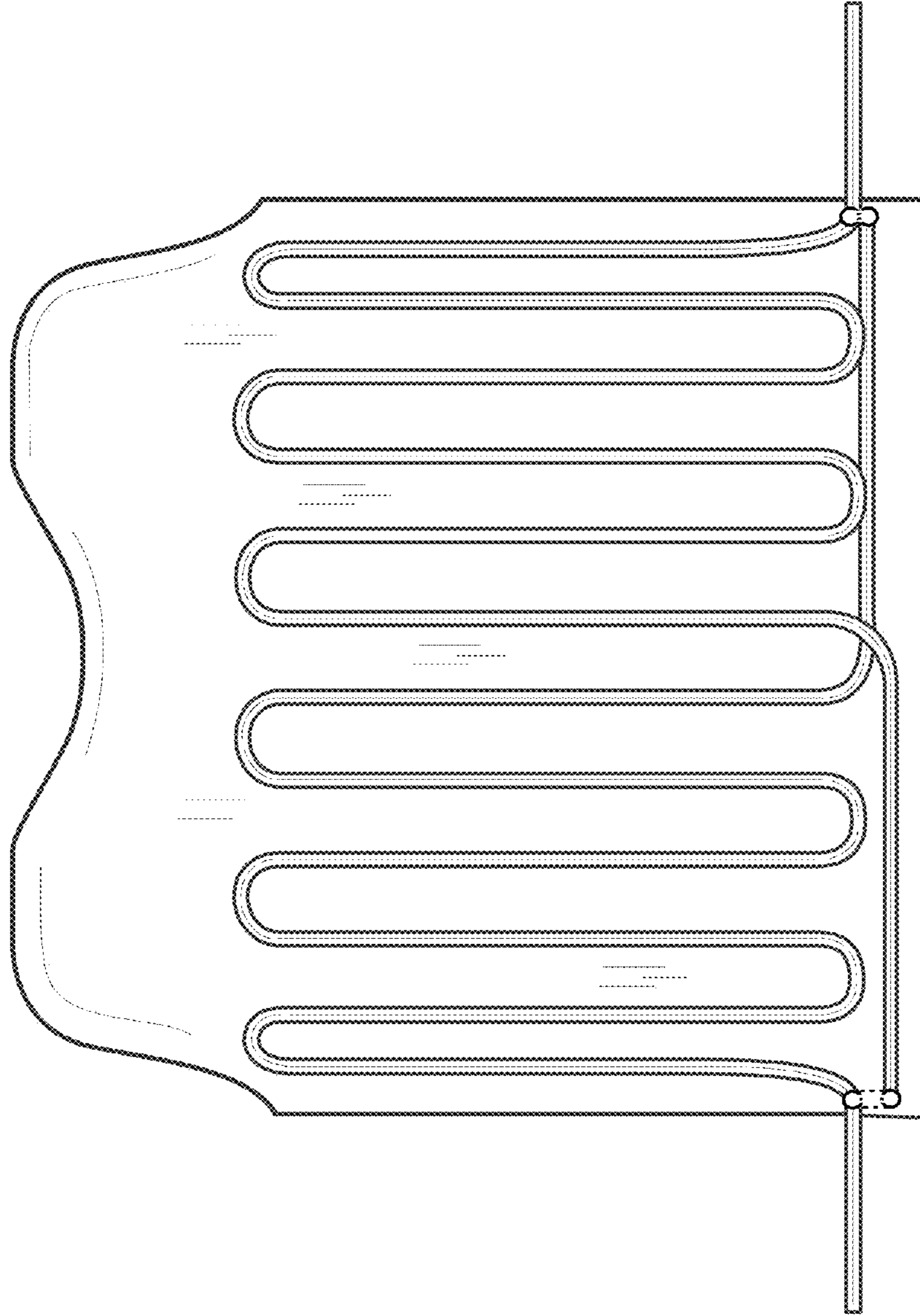


Fig. 18

©2014 Todd Alan Puckett