

US00D760477S

(12) **United States Design Patent**  
**Adamo**

(10) **Patent No.:** **US D760,477 S**  
(45) **Date of Patent:** **\*\* Jul. 5, 2016**

(54) **WINTER COAT ADAPTED FOR CHILD VEHICLE SEAT**

(71) Applicant: **Monica R. Adamo**, Mokena, IL (US)

(72) Inventor: **Monica R. Adamo**, Mokena, IL (US)

(\*\*) Term: **15 Years**

(21) Appl. No.: **29/530,245**

(22) Filed: **Jun. 15, 2015**

(51) **LOC (10) Cl.** ..... **02-02**

(52) **U.S. Cl.**  
USPC ..... **D2/828**

(58) **Field of Classification Search**  
USPC ..... D2/828, 839, 847, 717, 750, 720, 830,  
D2/755, 840, 501; 2/81, 93, 84  
CPC ..... A41D 3/00; A41D 3/0012; A41D 27/02;  
A41D 13/0512; A62B 17/003  
See application file for complete search history.

(56) **References Cited**

**U.S. PATENT DOCUMENTS**

D189,233 S *	11/1960	Gardner et al.	.....	2/205
4,993,090 A	2/1991	Ranalli		
5,189,737 A *	3/1993	Ribicic	.....	A62B 17/003 2/81
5,950,261 A	9/1999	Hay et al.		
6,055,686 A	5/2000	Knight		
D437,673 S *	2/2001	DesJardins	.....	D2/828
D457,711 S *	5/2002	Mahabir	.....	D2/839
6,401,248 B1	6/2002	Christensen		
D510,795 S *	10/2005	Yuter	.....	D2/847
D548,400 S *	8/2007	Boord	.....	D29/101.1
D553,329 S *	10/2007	Wager	.....	D2/831
D566,927 S *	4/2008	Graham	.....	D2/828
D568,581 S *	5/2008	Wager	.....	D2/828
D584,482 S *	1/2009	Marsh	.....	D2/717
D588,338 S *	3/2009	Self	.....	D2/750
7,530,118 B2	5/2009	Osborne et al.		
D609,432 S *	2/2010	Jennings	.....	D2/720
7,653,949 B2 *	2/2010	Kraus	.....	A41D 19/0041 3/158

D615,731 S *	5/2010	Oneto, Sr.	.....	D2/750
D626,725 S *	11/2010	Snyder	.....	D2/830
D627,540 S *	11/2010	Claeys	.....	D2/750
D627,950 S *	11/2010	Carpentier	.....	D2/750
D633,690 S *	3/2011	Tronvold	.....	D2/828
D636,973 S *	5/2011	Smith	.....	D2/830
D638,612 S *	5/2011	Benderradji	.....	D2/728
D653,836 S *	2/2012	Woyshner	.....	D2/750
8,118,364 B2	2/2012	Davis		

(Continued)

**OTHER PUBLICATIONS**

Award-Winning Baby Accessories by 7 A.M Enfant, Announced Jan. 23, 2014, [ Site Visited Feb. 5, 2016 ]dianekocevar.com/7am-enfant.html.\*

(Continued)

*Primary Examiner* — John Windmuller  
*Assistant Examiner* — Luqman McNeil  
(74) *Attorney, Agent, or Firm* — Robert C. Montgomery;  
Montgomery Patent & Design

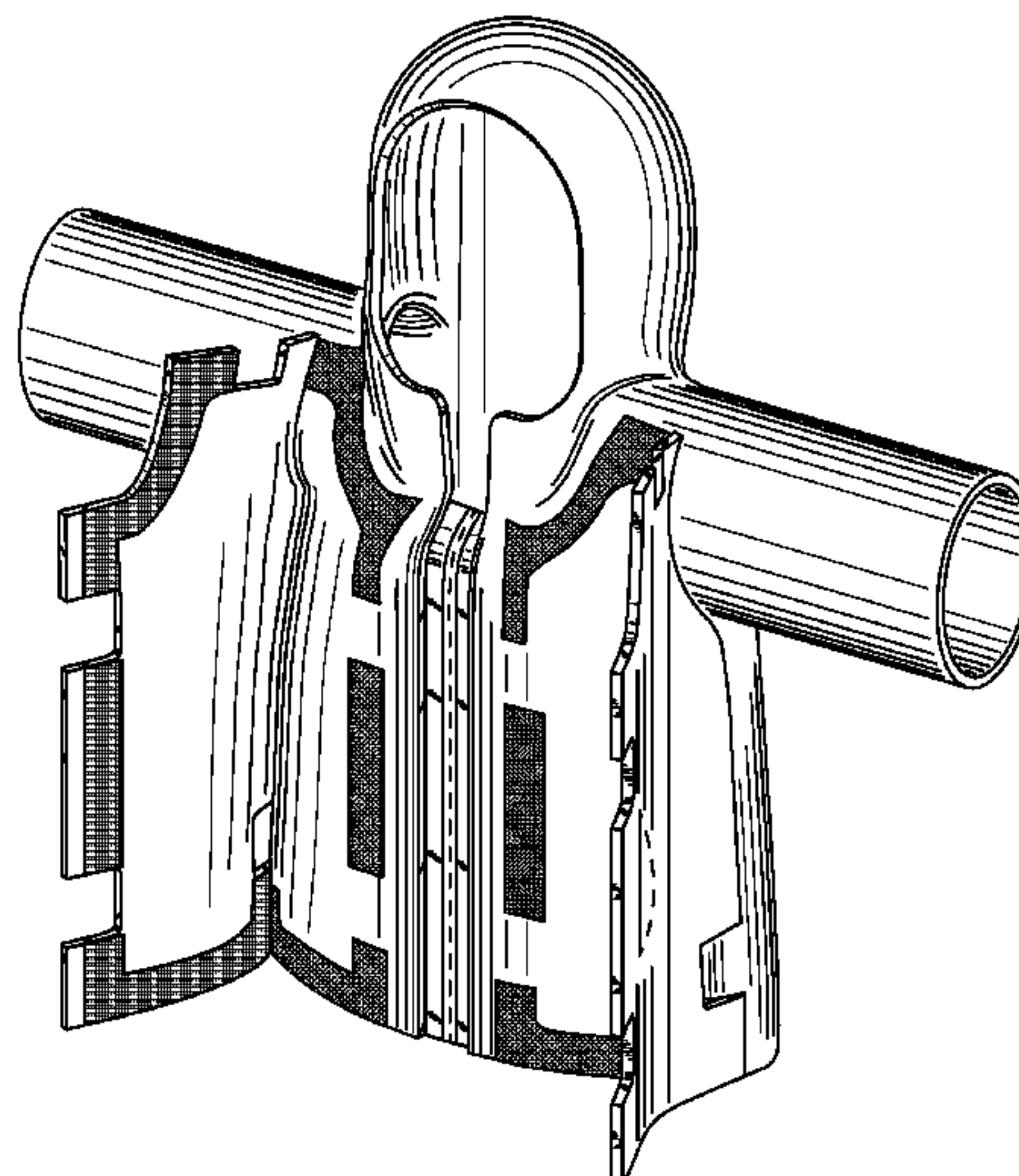
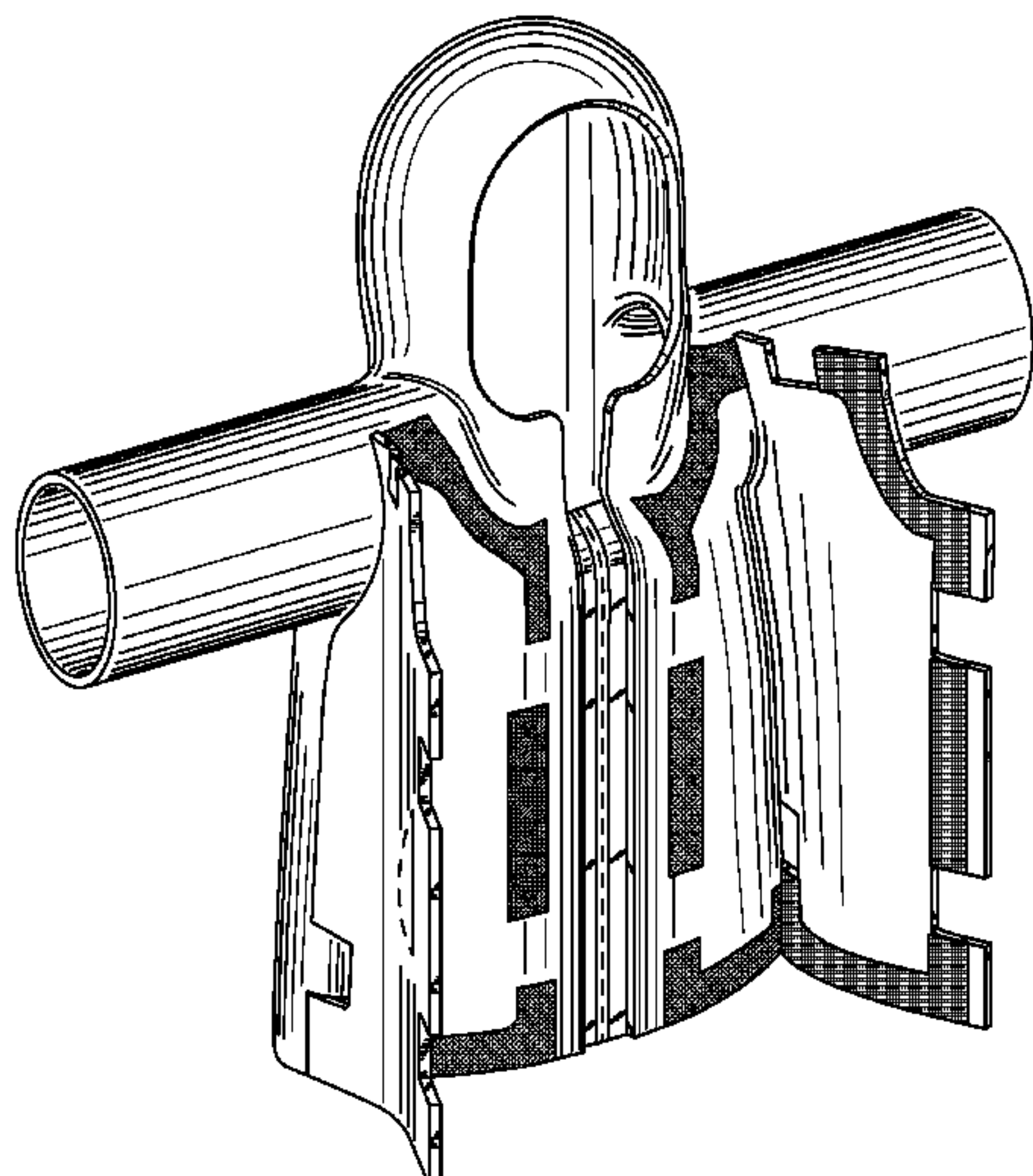
(57) **CLAIM**

The ornamental design for a winter coat adapted for child vehicle seat, as shown and described.

**DESCRIPTION**

FIG. 1 is a perspective front right side view of the winter coat adapted for a child vehicle seat, showing my new design; FIG. 2 is a perspective front left side view thereof; FIG. 3 is a front side view thereof; FIG. 4 is a back side view thereof; FIG. 5 is a right side view with the left side view being a mirror image thereof; FIG. 6 is a top side view thereof; and, FIG. 7 is a bottom side view thereof. The broken lines are included for the purpose of illustrating elements of the coat adapted for child seat that form no part of the claimed design.

**1 Claim, 7 Drawing Sheets**



(56)

**References Cited**

U.S. PATENT DOCUMENTS

8,225,422 B1 7/2012 McSparron  
 D671,714 S \* 12/2012 McCarroll ..... D2/831  
 D672,531 S \* 12/2012 Kelfer ..... D2/750  
 D677,859 S \* 3/2013 Andes ..... D2/825  
 D684,749 S \* 6/2013 Reisler ..... D2/828  
 D685,160 S \* 7/2013 Savage ..... D2/831  
 D689,670 S \* 9/2013 Lorenc ..... D2/878  
 D693,096 S \* 11/2013 Russo ..... D2/501  
 D693,543 S \* 11/2013 Rao ..... D2/750  
 D695,999 S \* 12/2013 Colburn ..... D2/755  
 D707,923 S \* 7/2014 Borovicka ..... D2/831  
 D711,627 S \* 8/2014 Badr ..... D2/755  
 D714,526 S \* 10/2014 Ingram ..... D2/831  
 D717,524 S \* 11/2014 Allen ..... D2/840  
 9,003,564 B2 \* 4/2015 Wynh ..... A41B 13/06  
 2/80  
 D732,799 S \* 6/2015 Smith ..... D2/831

2004/0217633 A1\* 11/2004 Kassai ..... A47D 15/006  
 297/219.12  
 2005/0217004 A1\* 10/2005 Haberfeld ..... A41B 13/06  
 2/69.5  
 2007/0130667 A1\* 6/2007 Gagnon ..... A41D 27/02  
 2/93  
 2008/0163404 A1\* 7/2008 Carpentier ..... A41D 13/0512  
 2/81  
 2013/0007940 A1 1/2013 Ryerson  
 2013/0019379 A1\* 1/2013 Shadid ..... A41D 13/0012  
 2/84  
 2013/0212772 A1\* 8/2013 Apostoloff ..... A41D 3/00  
 2/93

OTHER PUBLICATIONS

Car Seat Safety with Winter Coats—Busy Creating Memories,  
 Announced Nov. 20, 2013, [ Site Visted Feb. 5, 2016 ][http://  
 busycreatingmemories.com/car-seat-safety-with-winter-coats-  
 how/](http://busycreatingmemories.com/car-seat-safety-with-winter-coats-how/).\*

\* cited by examiner

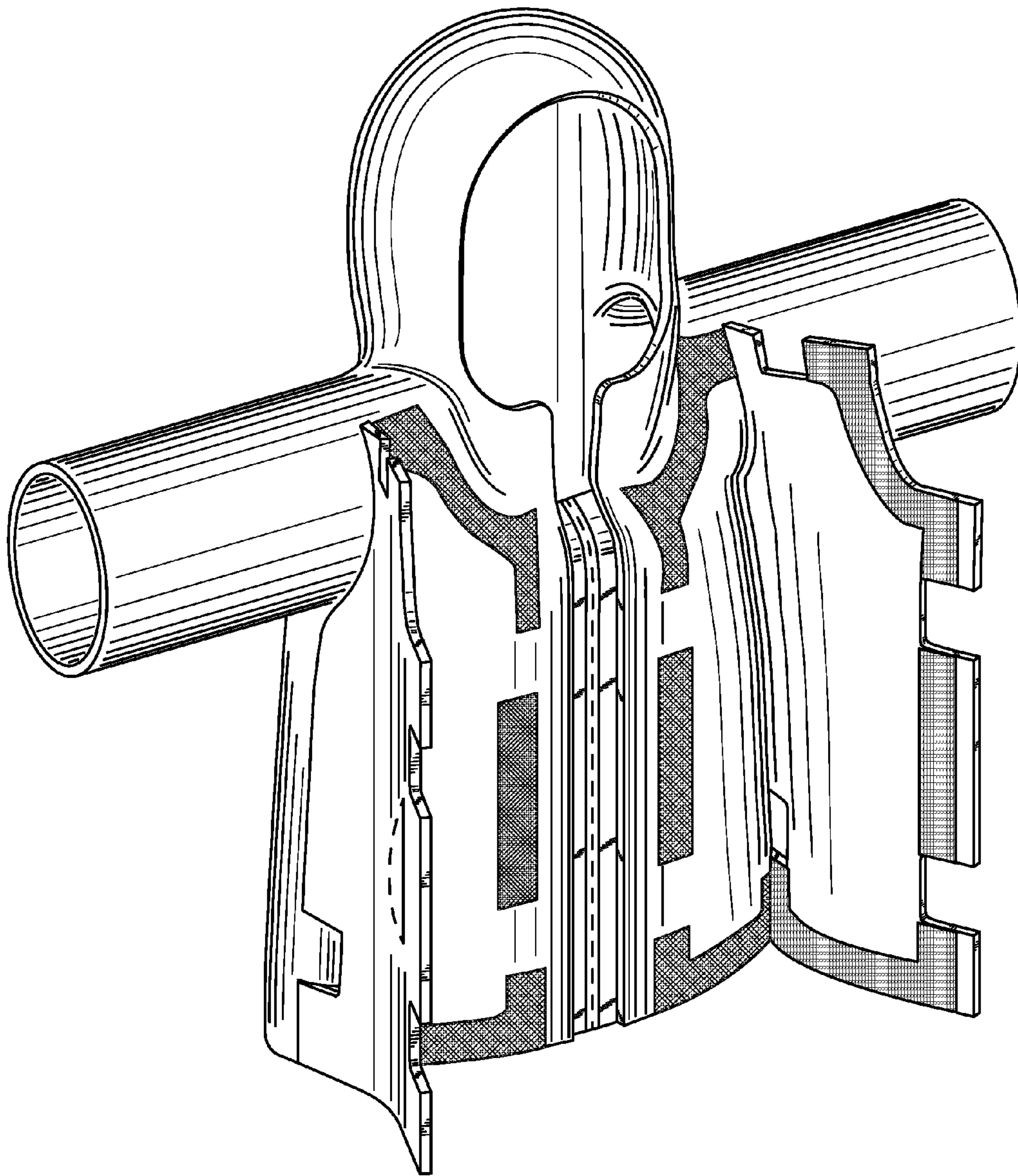


FIG. 1



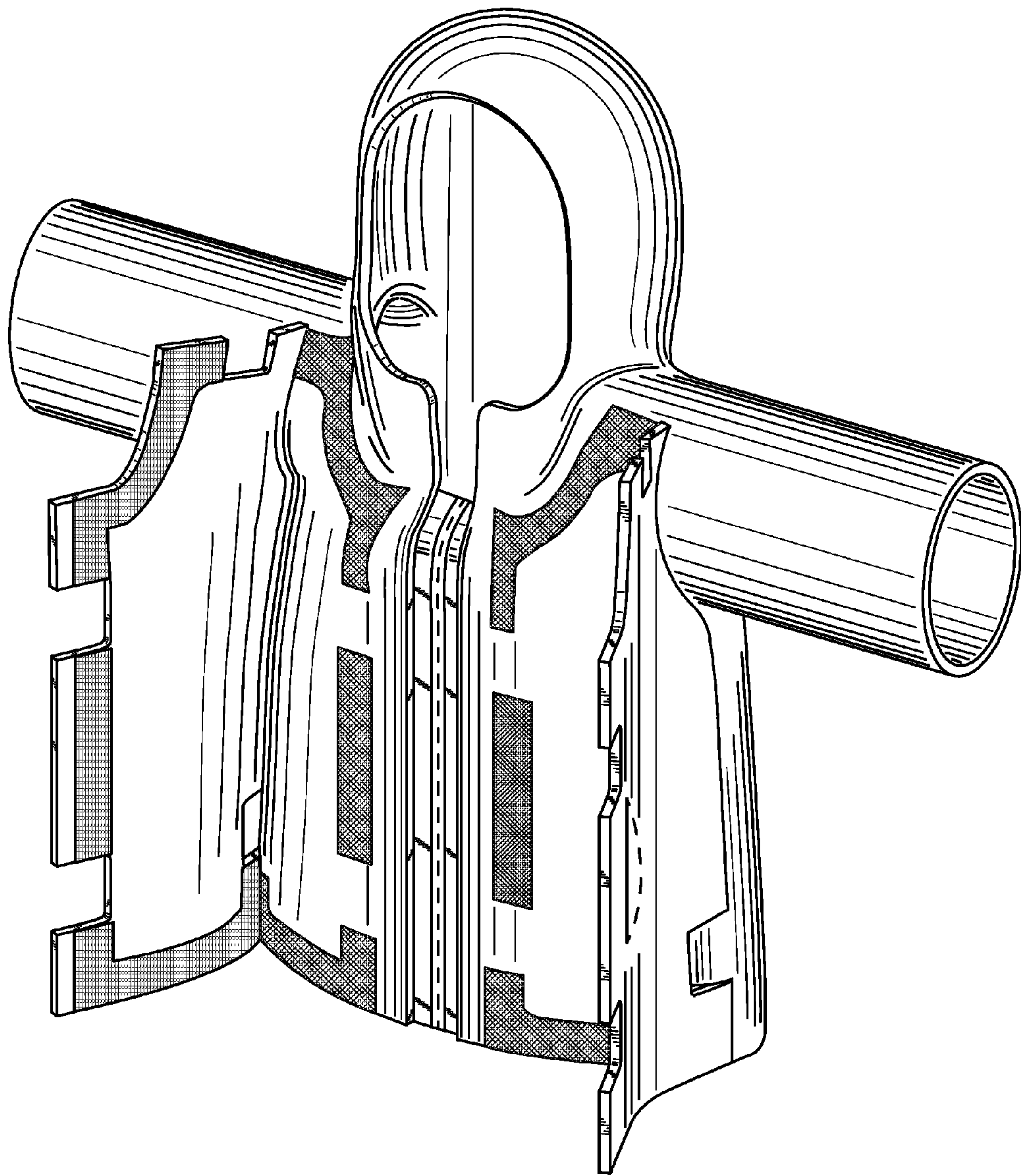


FIG. 2

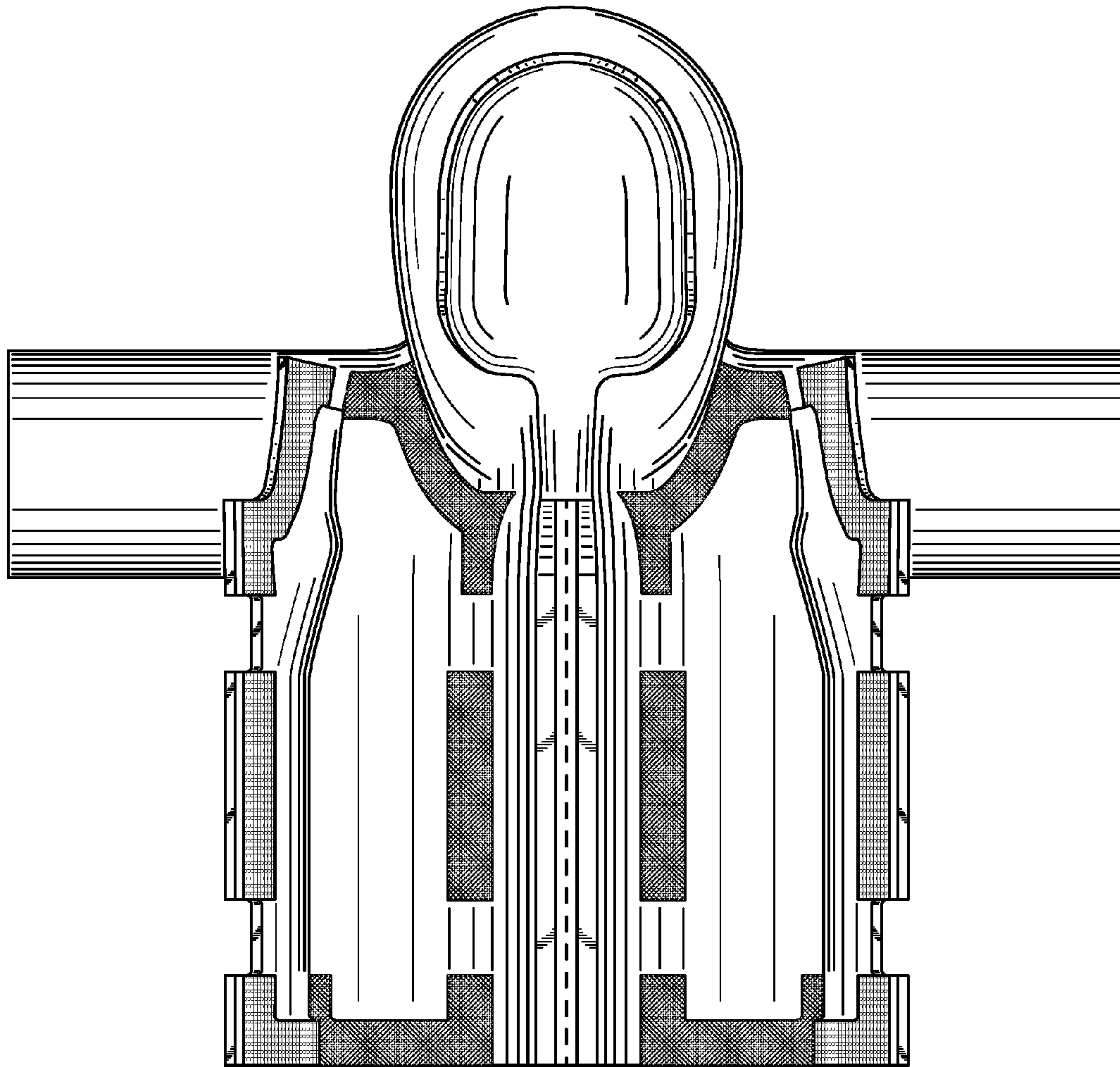


FIG. 3

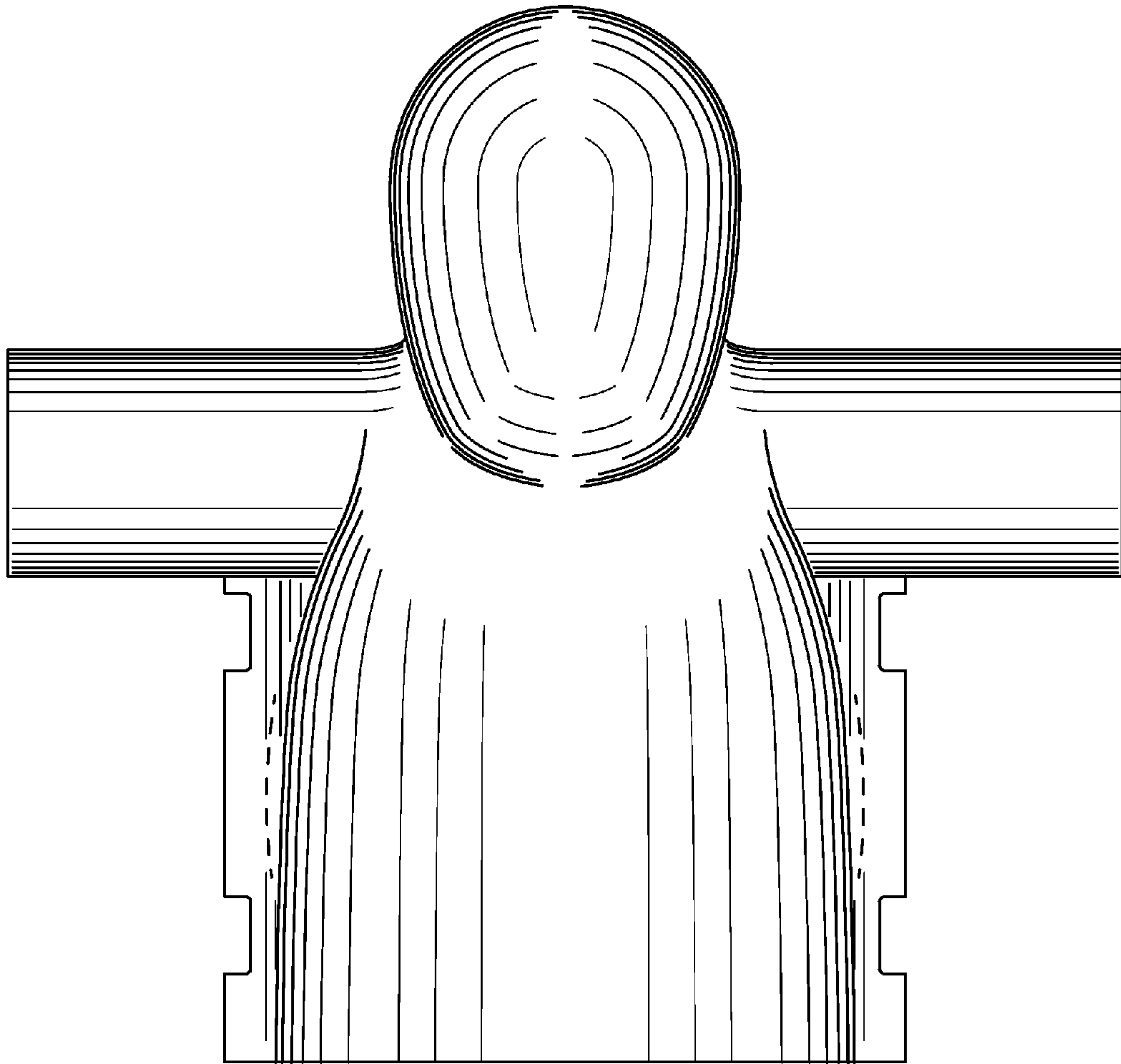


FIG. 4

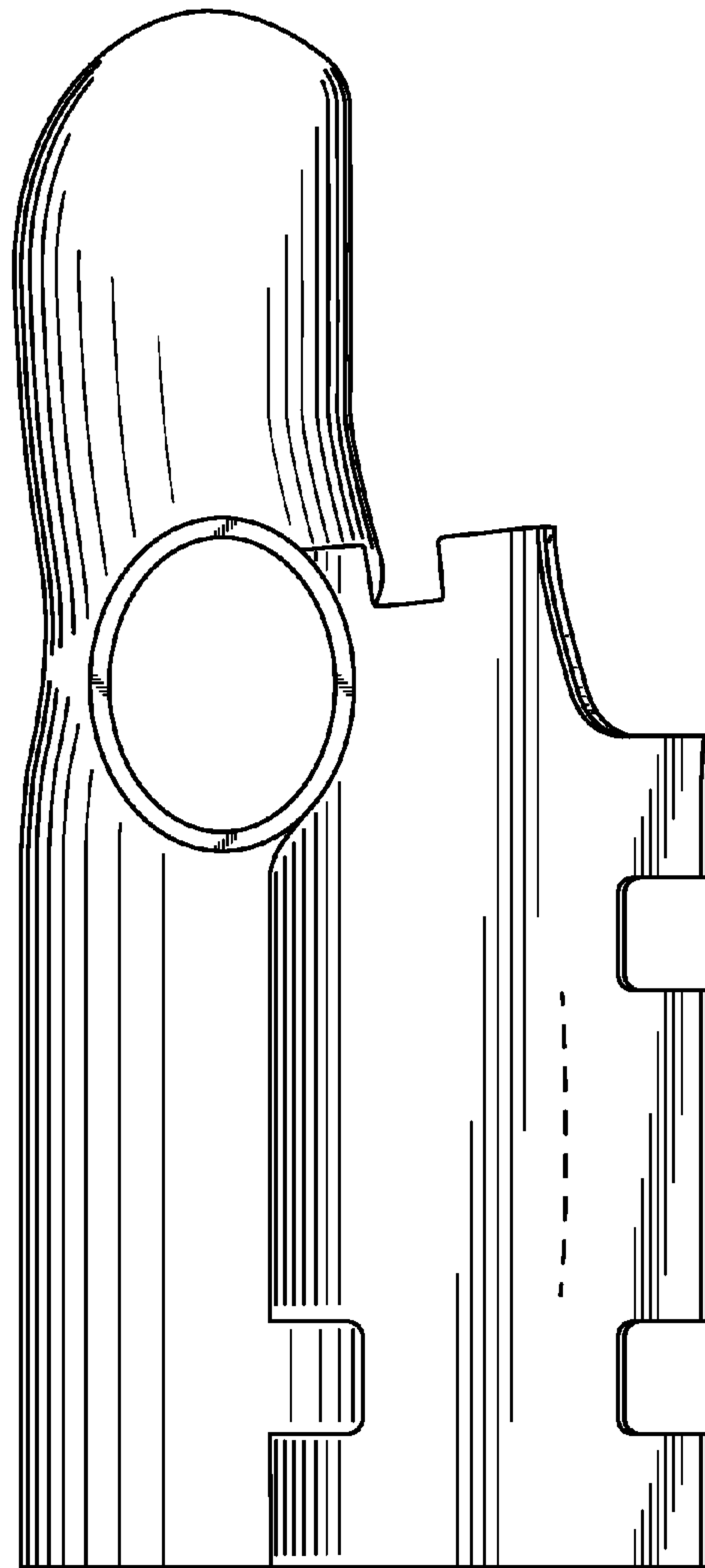


FIG. 5

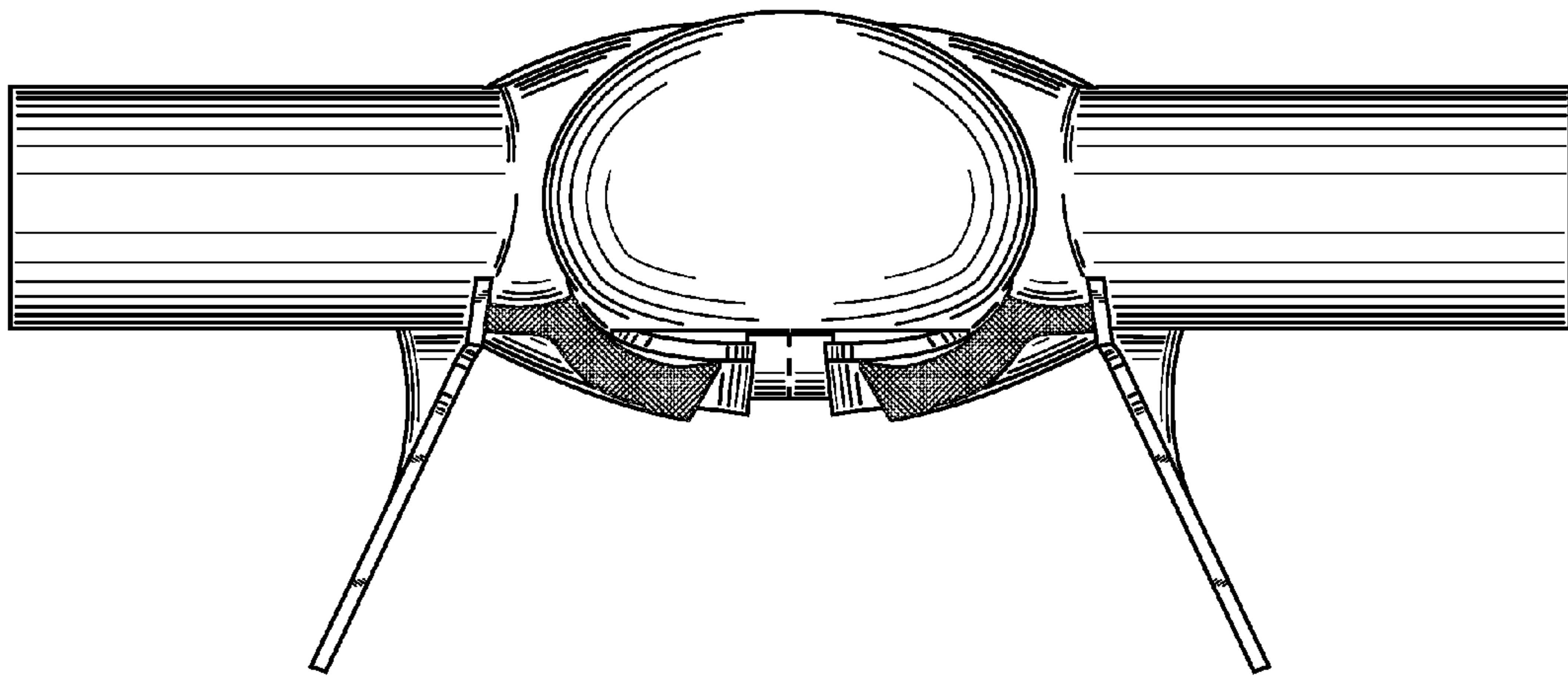


FIG. 6



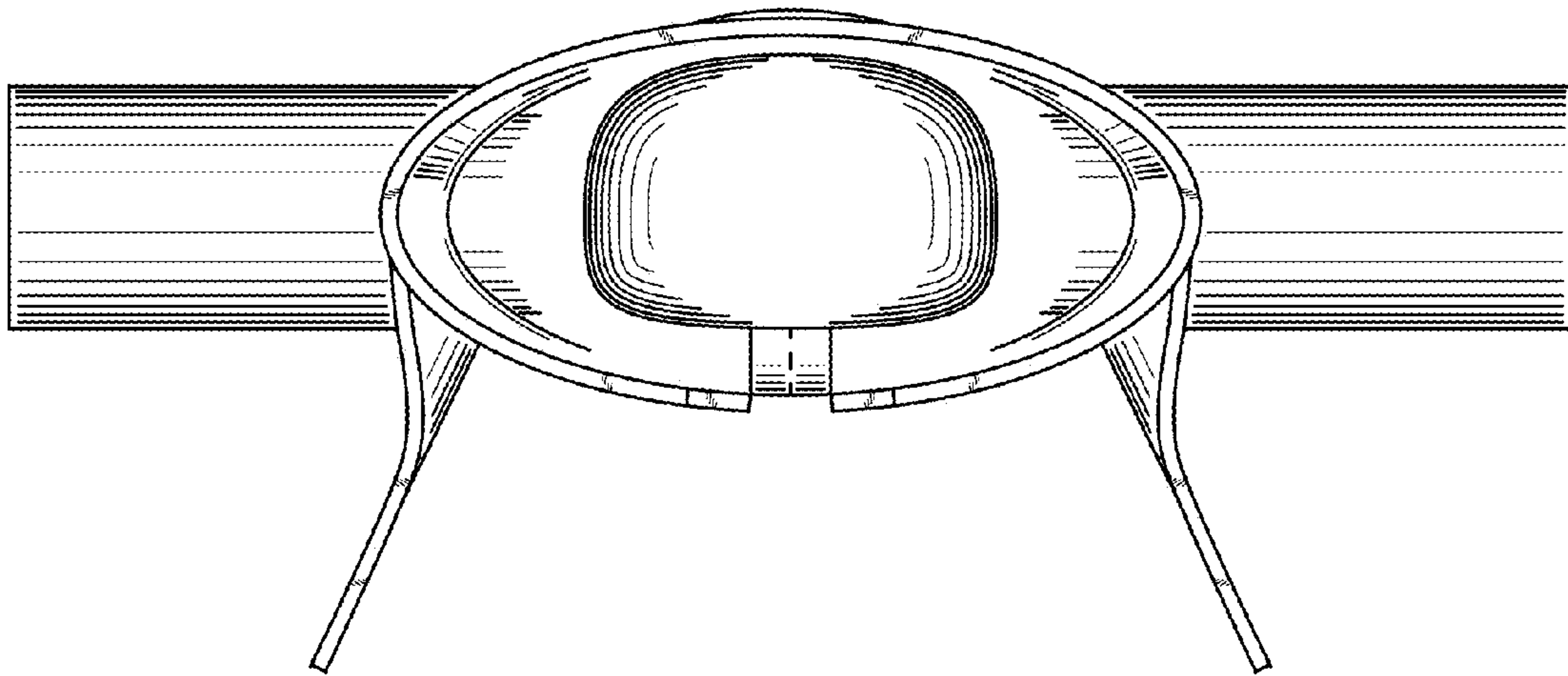


FIG. 7