



US00D760465S

(12) **United States Design Patent**
Amberchase

(10) **Patent No.:** **US D760,465 S**
(45) **Date of Patent:** **** Jun. 28, 2016**

- (54) **ELECTRIC VEHICLE JACK**
- (71) Applicant: **Paul Amberchase**, Sanger, CA (US)
- (72) Inventor: **Paul Amberchase**, Sanger, CA (US)
- (**) Term: **14 Years**
- (21) Appl. No.: **29/526,411**
- (22) Filed: **May 8, 2015**
- (51) **LOC (10) Cl.** **12-05**
- (52) **U.S. Cl.**
USPC **D34/31**
- (58) **Field of Classification Search**
USPC D34/31; 254/93 R, 2 R, DIG. 1, 426, 423,
254/8 R, 45, 84, 93 H
CPC B66F 3/24; B66F 3/247; B66F 3/08;
B66F 3/12; B66F 13/00
See application file for complete search history.

- 6,585,231 B1 * 7/2003 Fratoni, Jr. B66F 3/247
254/423
- 6,739,580 B2 5/2004 Gordon
- D537,604 S * 2/2007 Redman D34/31
- D634,914 S * 3/2011 Marroquin D34/31
- 7,988,131 B1 8/2011 Carder
- D679,883 S * 4/2013 Bucknor D34/31
- D732,787 S * 6/2015 Chen D34/31

* cited by examiner

Primary Examiner — Cynthia Ramirez

(74) *Attorney, Agent, or Firm* — Crossley & Stevenson IP Law

(57) **CLAIM**

The ornamental design for an electric vehicle jack, as shown and described.

DESCRIPTION

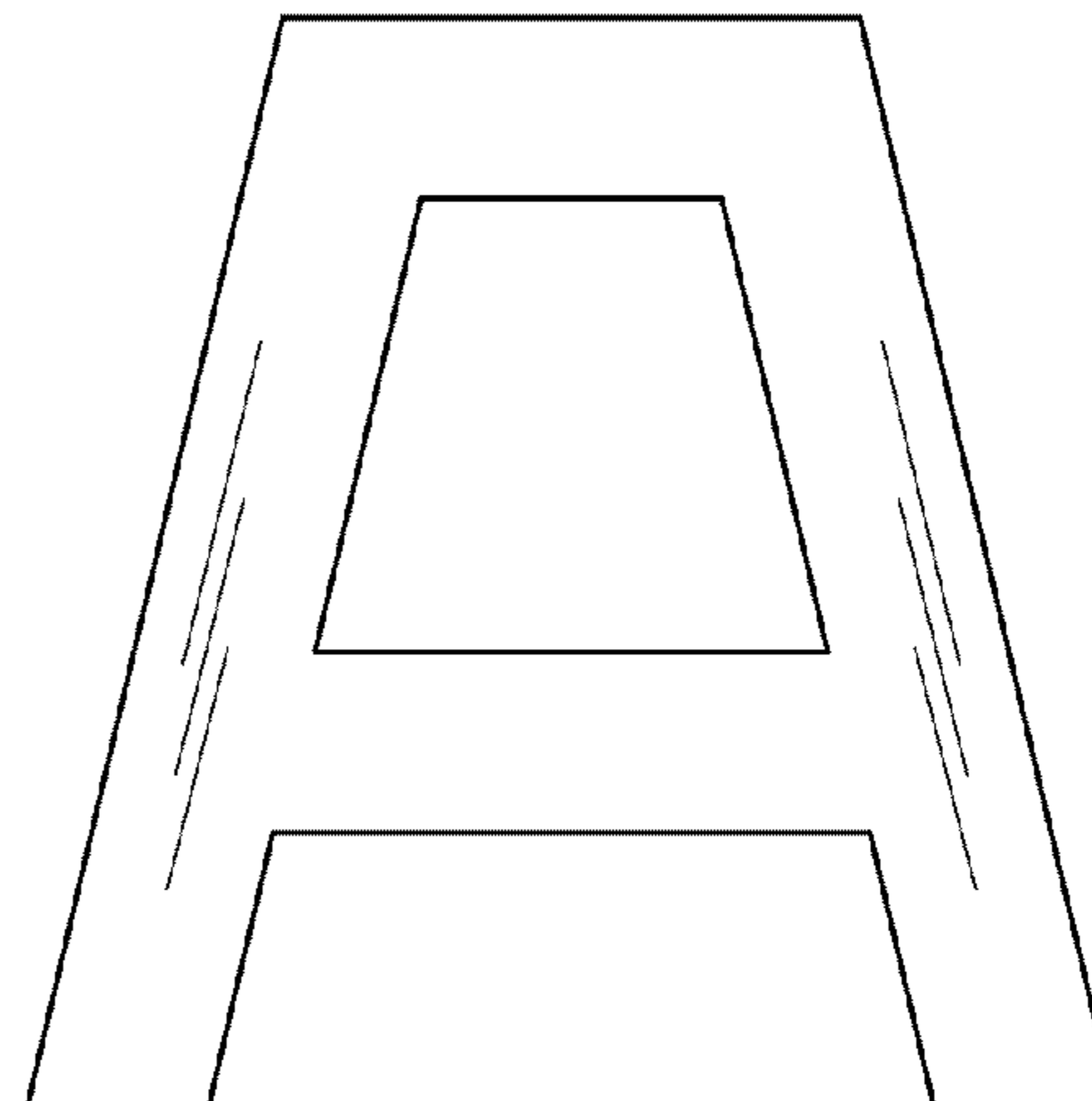
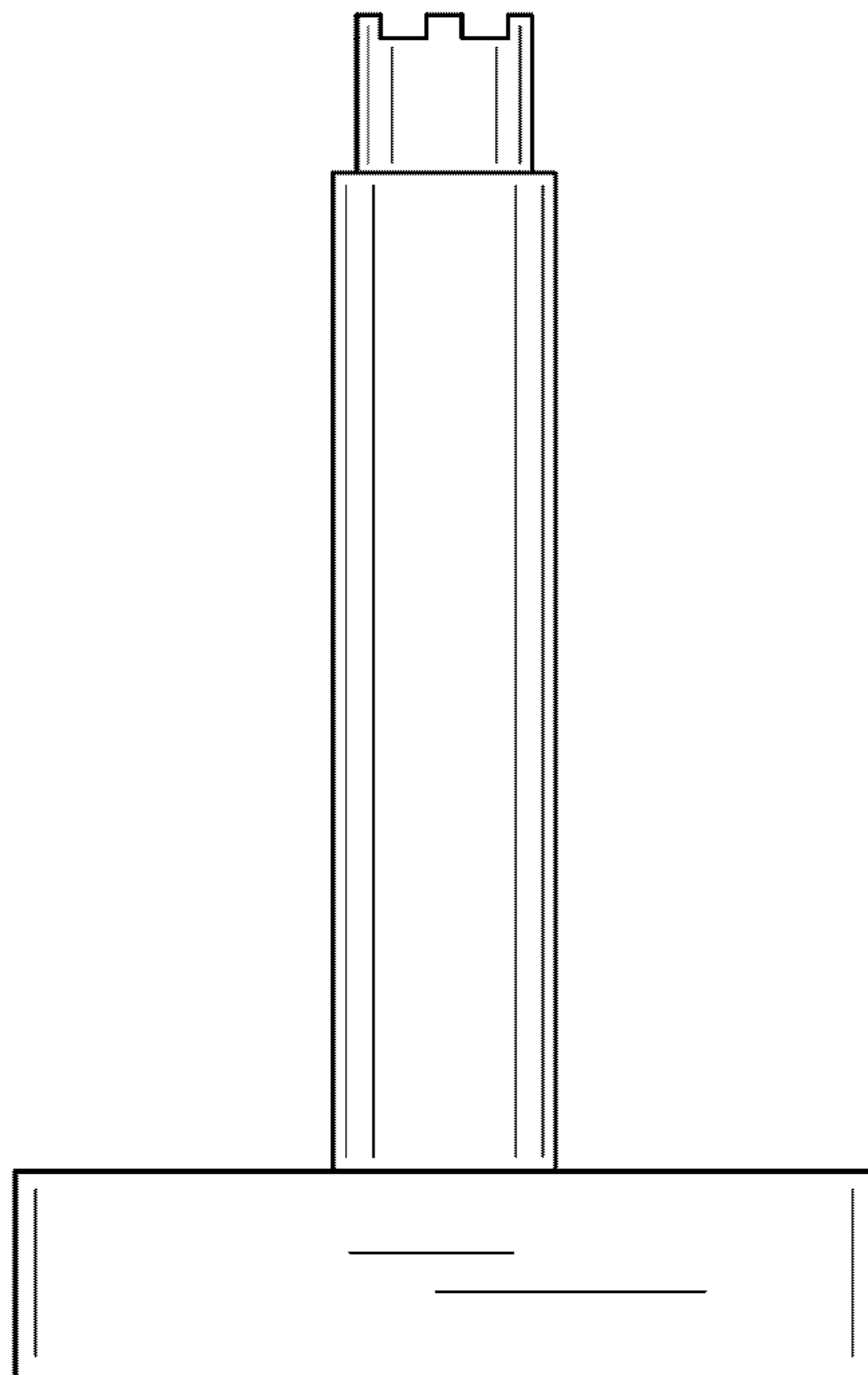
FIG. 1 is a front elevation view of an electric vehicle jack showing my new design;
 FIG. 2 is a rear elevation view thereof;
 FIG. 3 is a right side elevation view thereof, the opposite side being a mirror image of the shown;
 FIG. 4 is a top plan view thereof;
 FIG. 5 is a bottom plan view thereof; and,
 FIG. 6 is an isometric view thereof.

1 Claim, 6 Drawing Sheets

(56) **References Cited**

U.S. PATENT DOCUMENTS

- 1,590,830 A * 6/1926 Jewkes B66F 3/247
184/18
- D231,093 S * 4/1974 Woldert D34/31
- D240,517 S * 7/1976 Miller D34/31
- D424,776 S * 5/2000 Wong D34/31



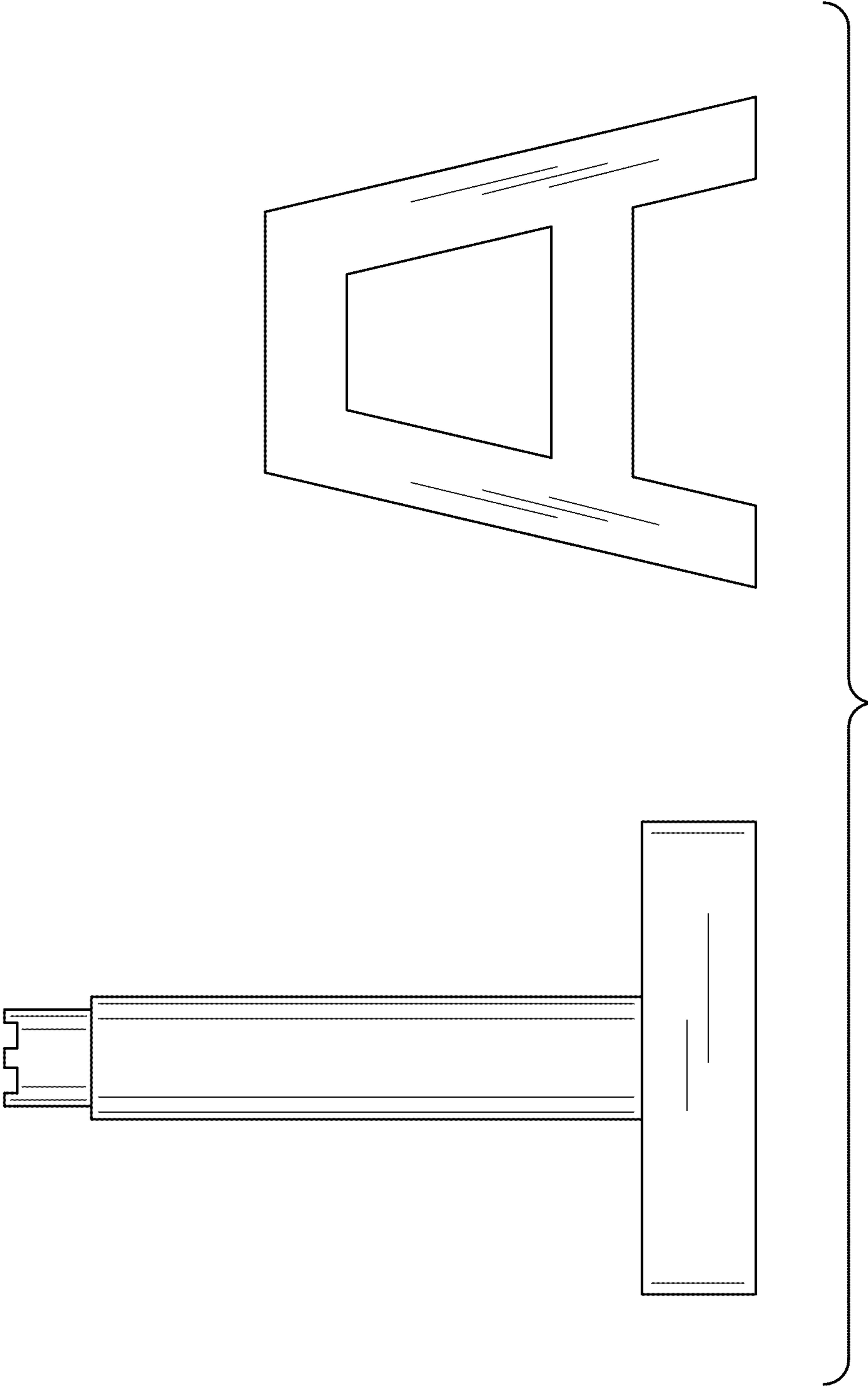


FIG. 1

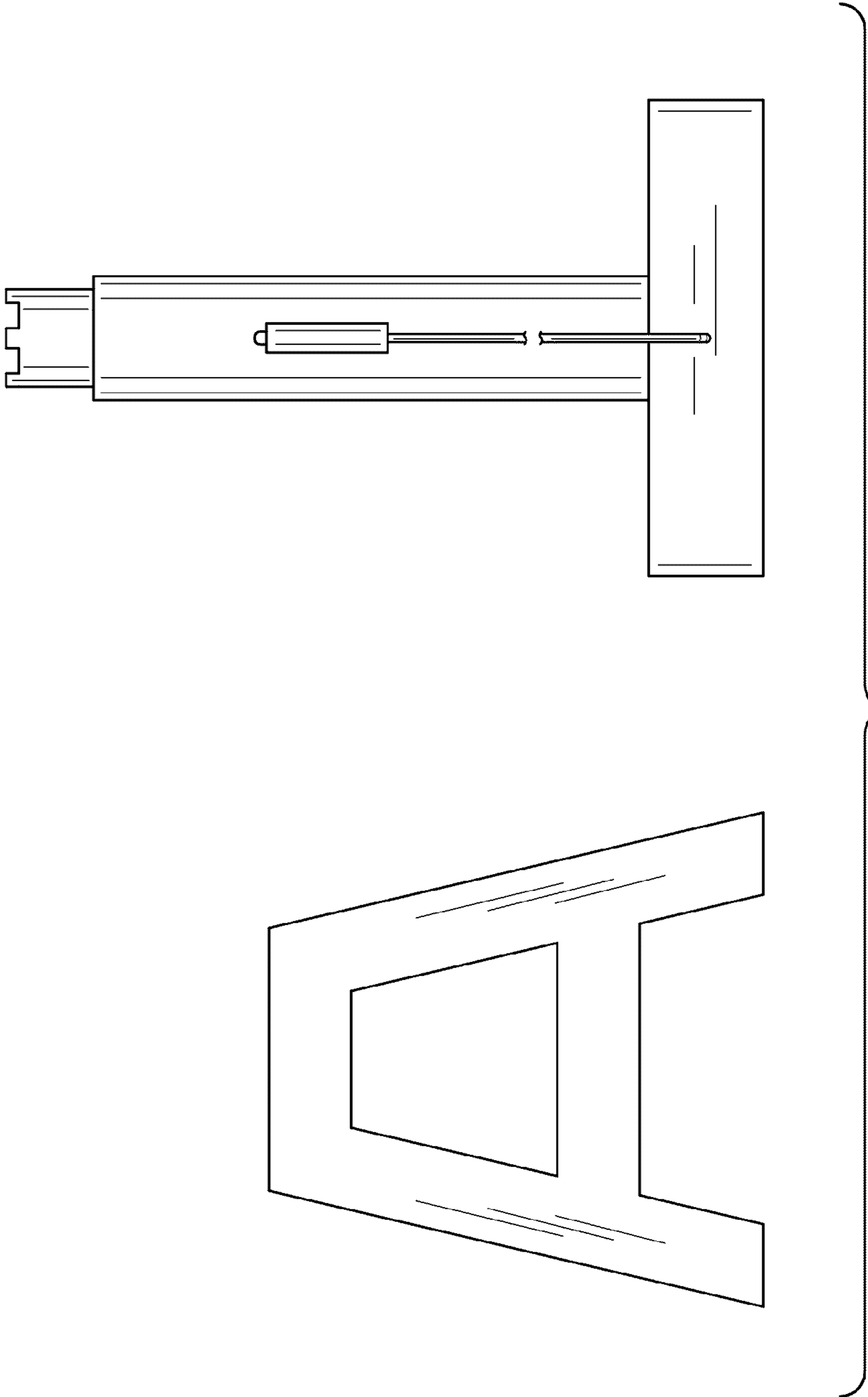


FIG. 2

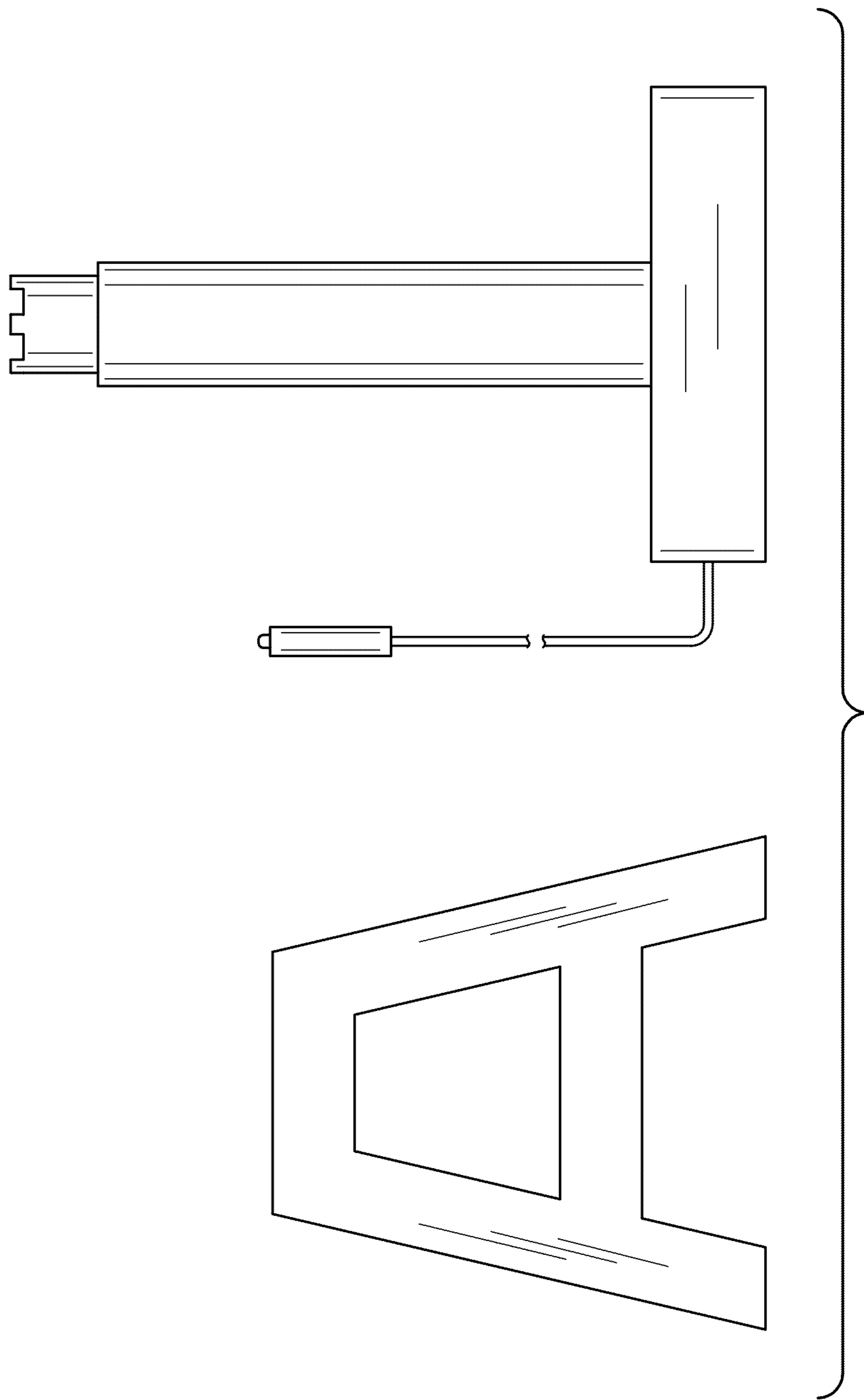


FIG. 3

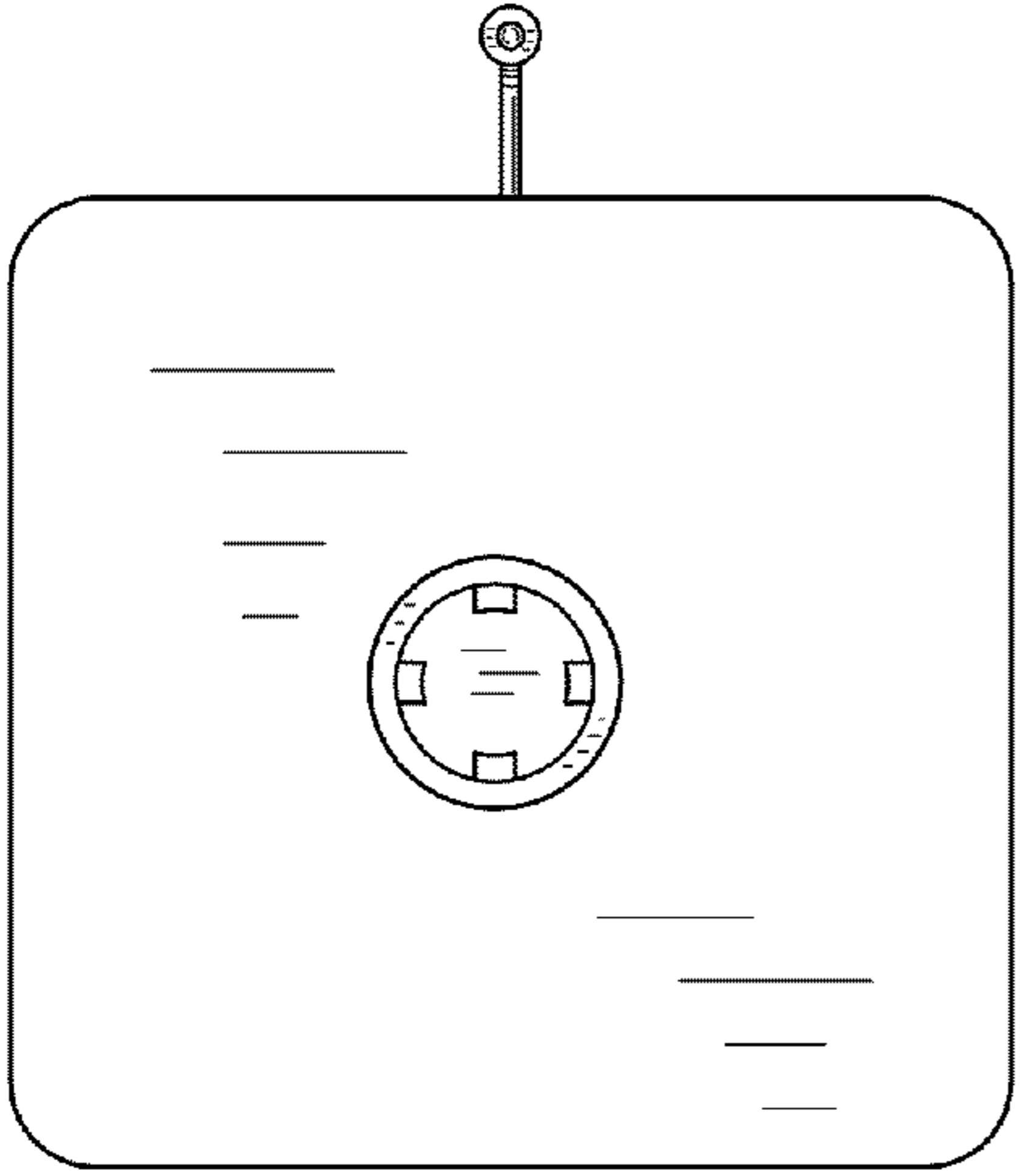
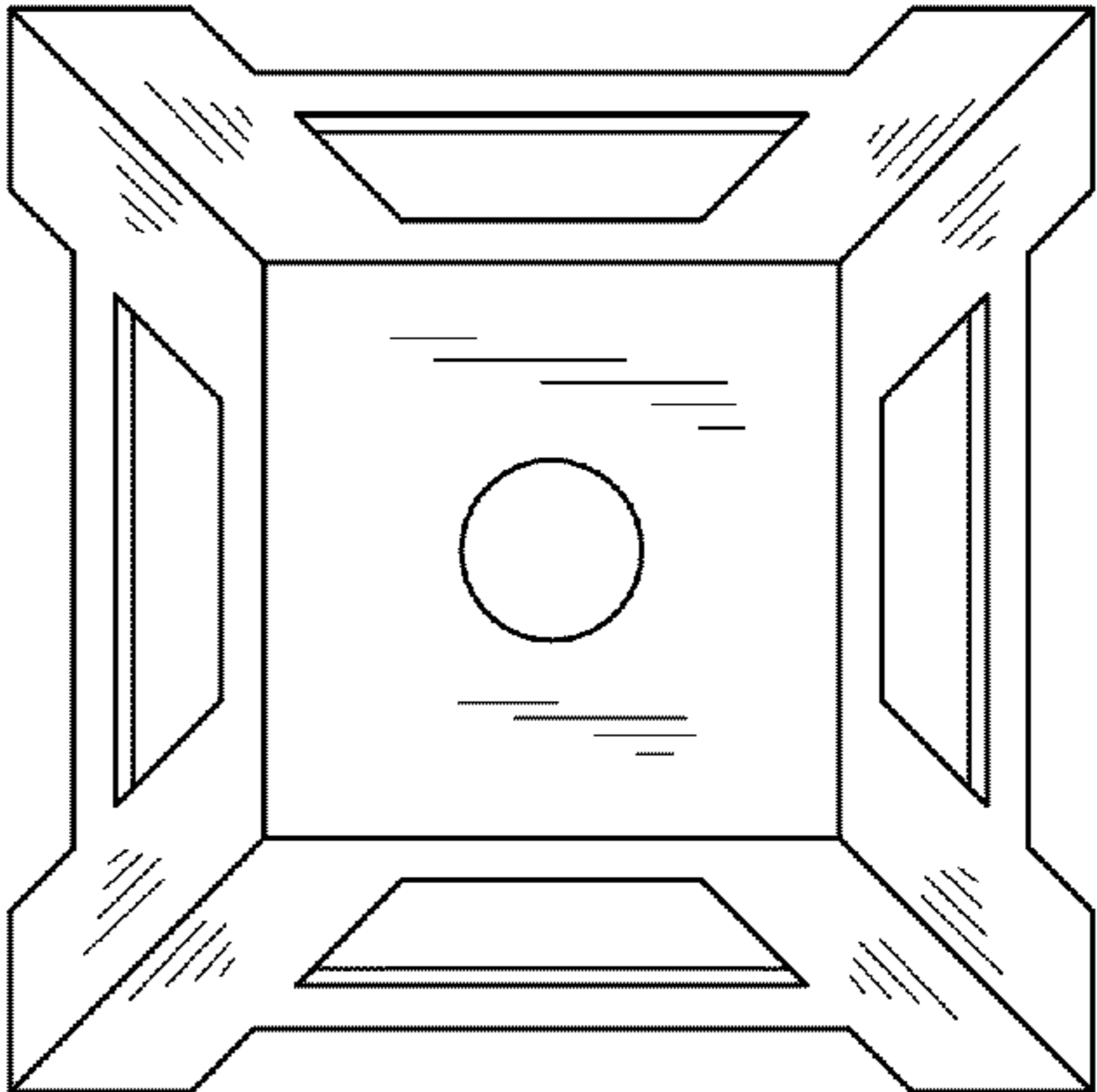


FIG. 4

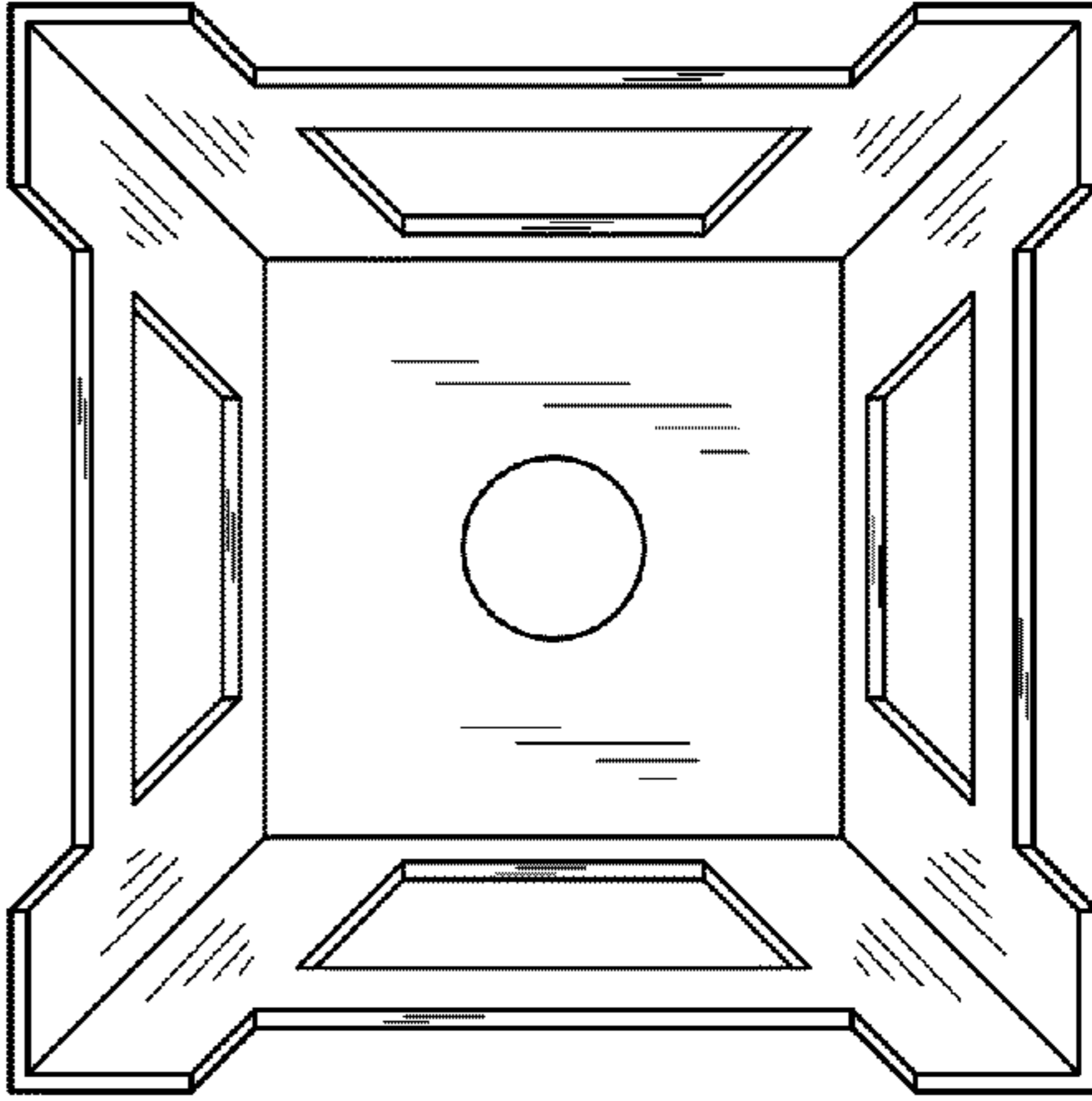
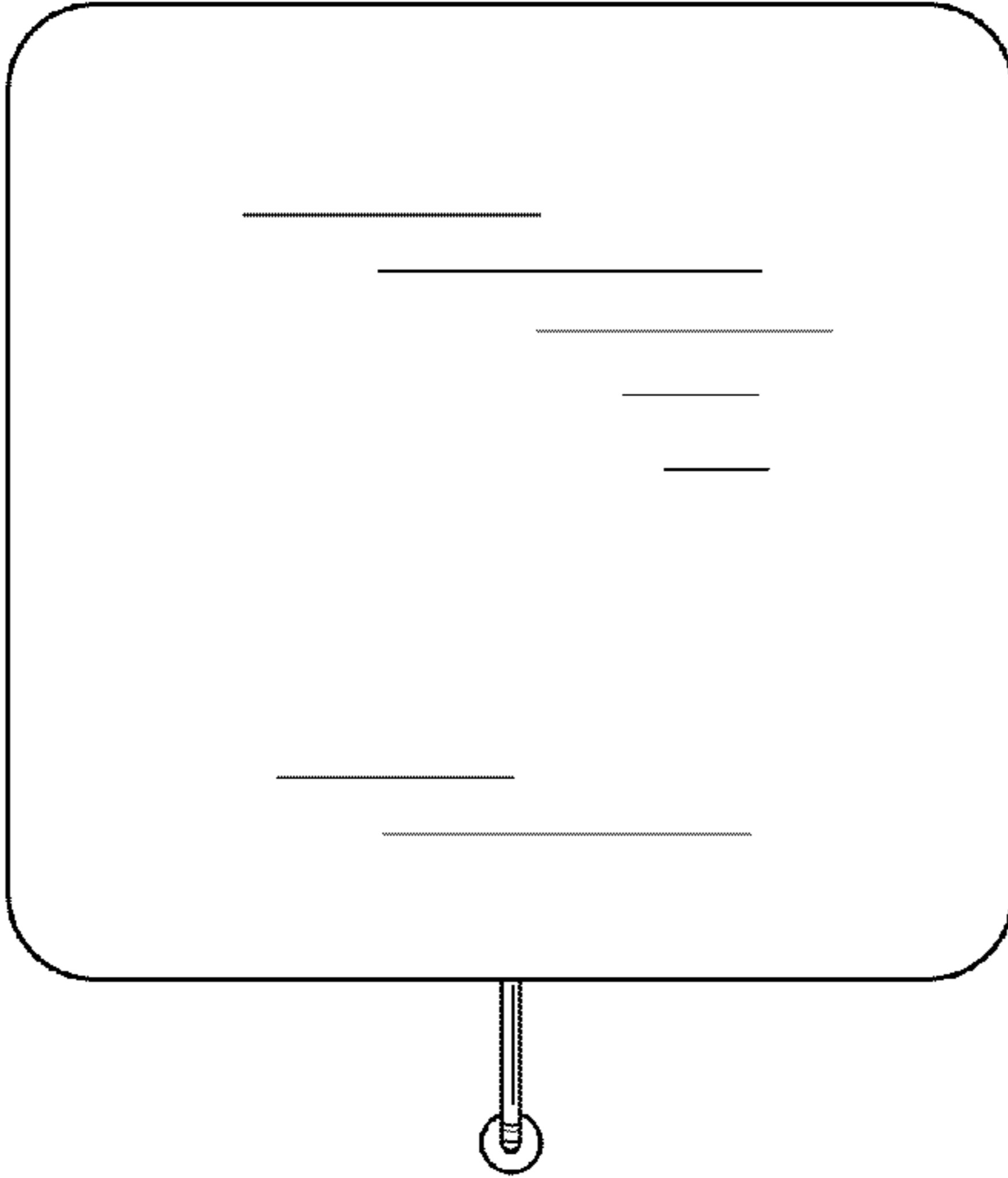


FIG. 5

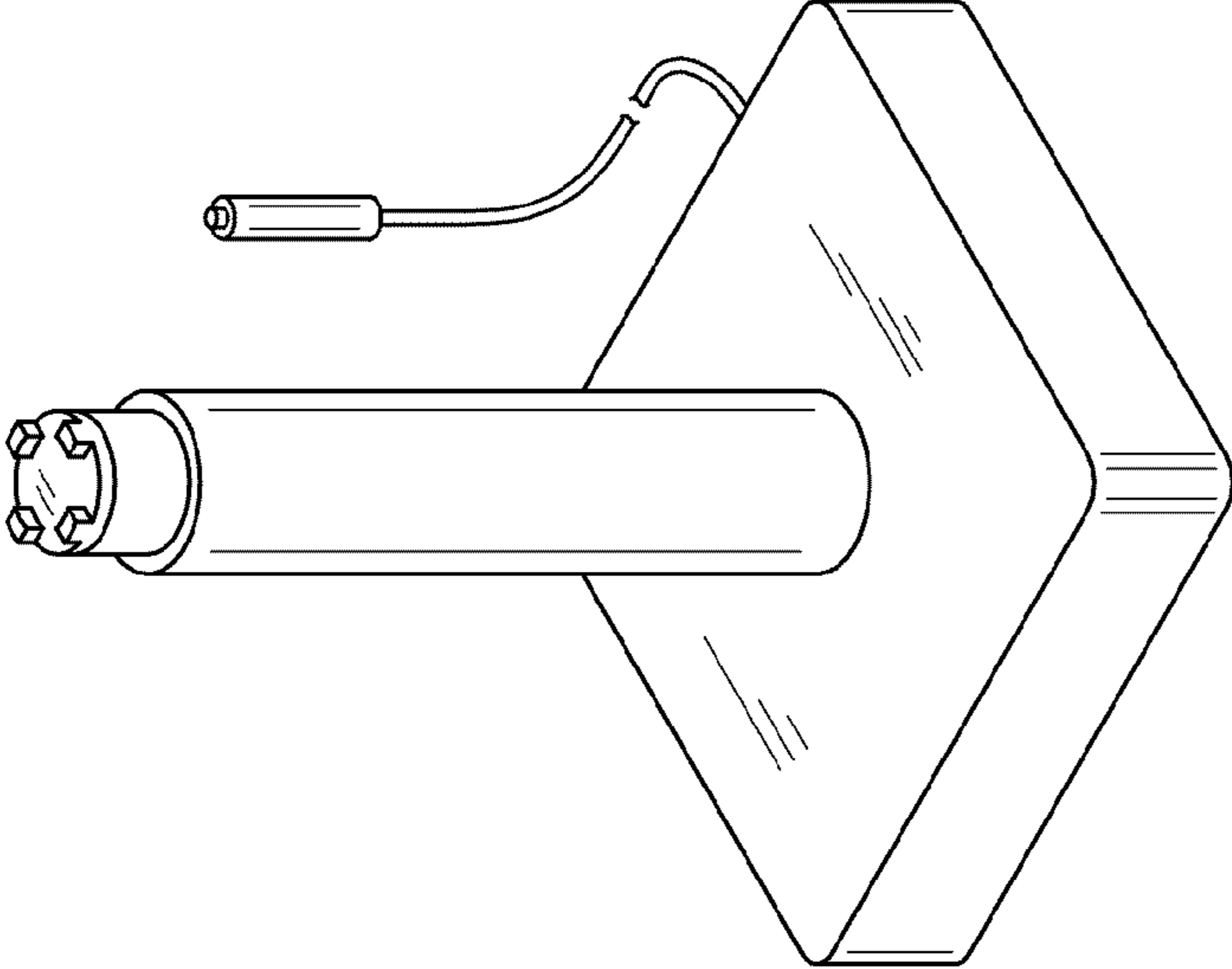
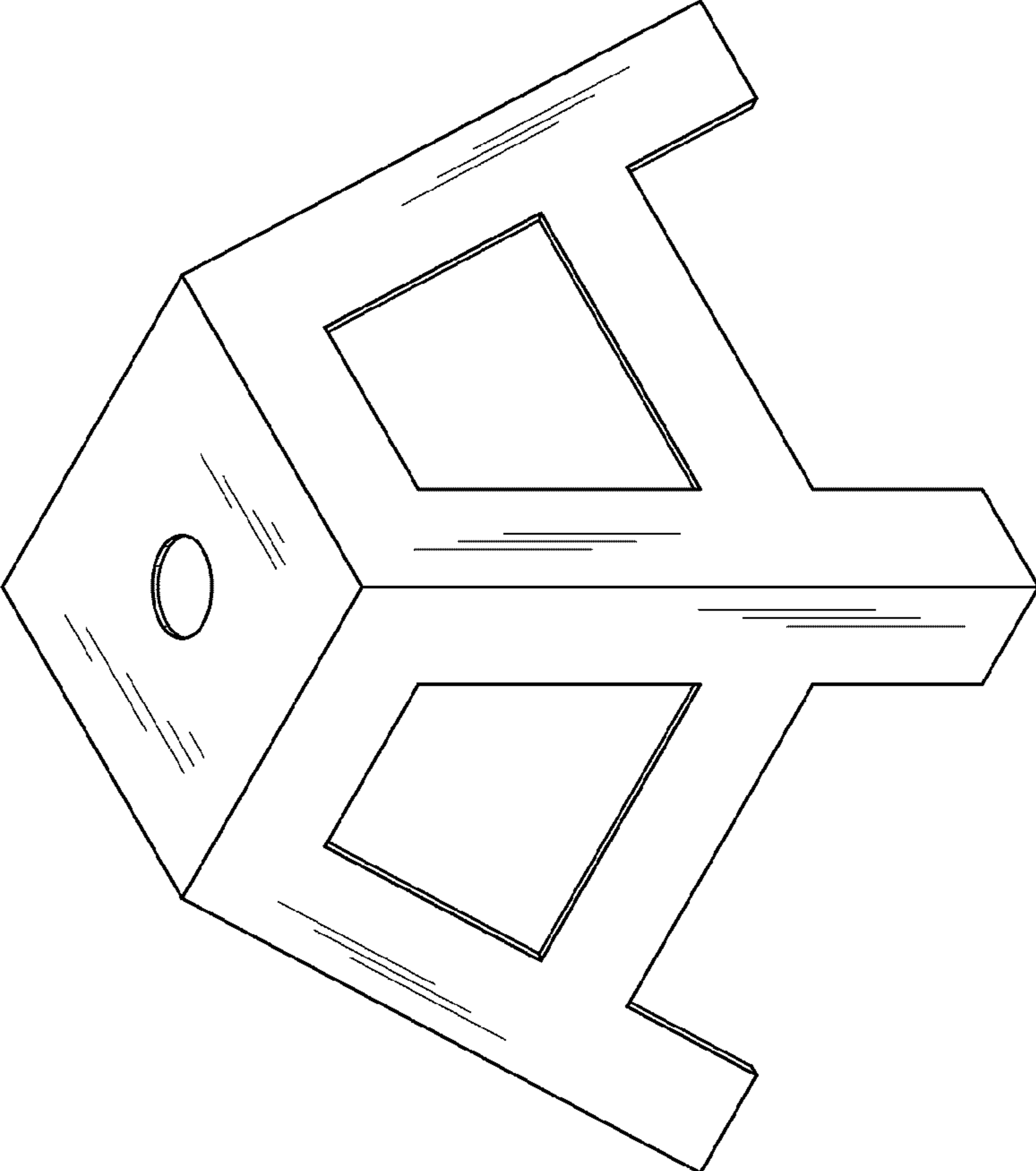


FIG. 6