



US00D760464S

(12) **United States Design Patent**
Dyer et al.

(10) **Patent No.:** **US D760,464 S**
(45) **Date of Patent:** **** Jun. 28, 2016**

(54) **SHOPPING CART SHELF**

(71) Applicant: **TARGET BRANDS, INC.**,
Minneapolis, MN (US)

(72) Inventors: **Nicholas John Dyer**, Saint Paul, MN
(US); **Stacy Lee Abel**, Maple Grove,
MN (US)

(73) Assignee: **Target Brands, Inc.**, Minneapolis, MN
(US)

(**) Term: **15 Years**

(21) Appl. No.: **29/527,783**

(22) Filed: **May 21, 2015**

(51) **LOC (10) Cl.** **12-02**

(52) **U.S. Cl.**
USPC **D34/27**

(58) **Field of Classification Search**
USPC D34/12-27; 280/33.991, 33.992,
280/33.993, 47.34, 47.19, 79.11, 644
CPC B62B 3/14; B62B 3/144; B62B 3/1452;
B62B 7/08
See application file for complete search history.

(56) **References Cited**

U.S. PATENT DOCUMENTS

3,494,631 A	2/1970	Kreider	
4,081,205 A	3/1978	Rosenacker	
4,487,134 A	12/1984	Foote	
4,643,280 A	2/1987	Hensley	
4,679,818 A	7/1987	Kakavas	
4,702,402 A	10/1987	Ferri	
4,901,901 A	2/1990	Reitenour	
4,966,318 A	10/1990	Dutka	
5,004,252 A	4/1991	Kraper	
5,072,957 A	12/1991	Graebe, Jr.	
5,182,895 A	2/1993	Lugo	
5,203,578 A	4/1993	Davidson et al.	
D340,339 S *	10/1993	Kean	D12/425

(Continued)

Primary Examiner — Cynthia Ramirez

(74) *Attorney, Agent, or Firm* — JoAnn M. Seaton; Griffiths & Seaton PLLC

(57) **CLAIM**

The ornamental design for a shopping cart shelf, as shown and described.

DESCRIPTION

This application is related to U.S. patent application Ser. No. 14/718,888, filed on May 21, 2015. It is understood that any material in U.S. patent application Ser. No. 14/718,888 that is not present in this application forms no part of the claimed design.

FIG. 1 is a front perspective view of a shopping cart shelf showing a first embodiment of our new design;

FIG. 2 is a front view thereof;

FIG. 3 is a rear view thereof;

FIG. 4 is a right side view thereof, the left side view being a mirror image of the right side view;

FIG. 5 is a top view thereof; and

FIG. 6 is a bottom view thereof.

FIG. 7 is a front, perspective view of the shopping cart shelf of FIG. 1 shown with unclaimed environmental subject matter.

FIG. 8 is a front perspective view of a shopping cart shelf showing a second embodiment of our new design;

FIG. 9 is a front view thereof;

FIG. 10 is a rear view thereof;

FIG. 11 is a right side view thereof, the left side view being a mirror image of the right side view;

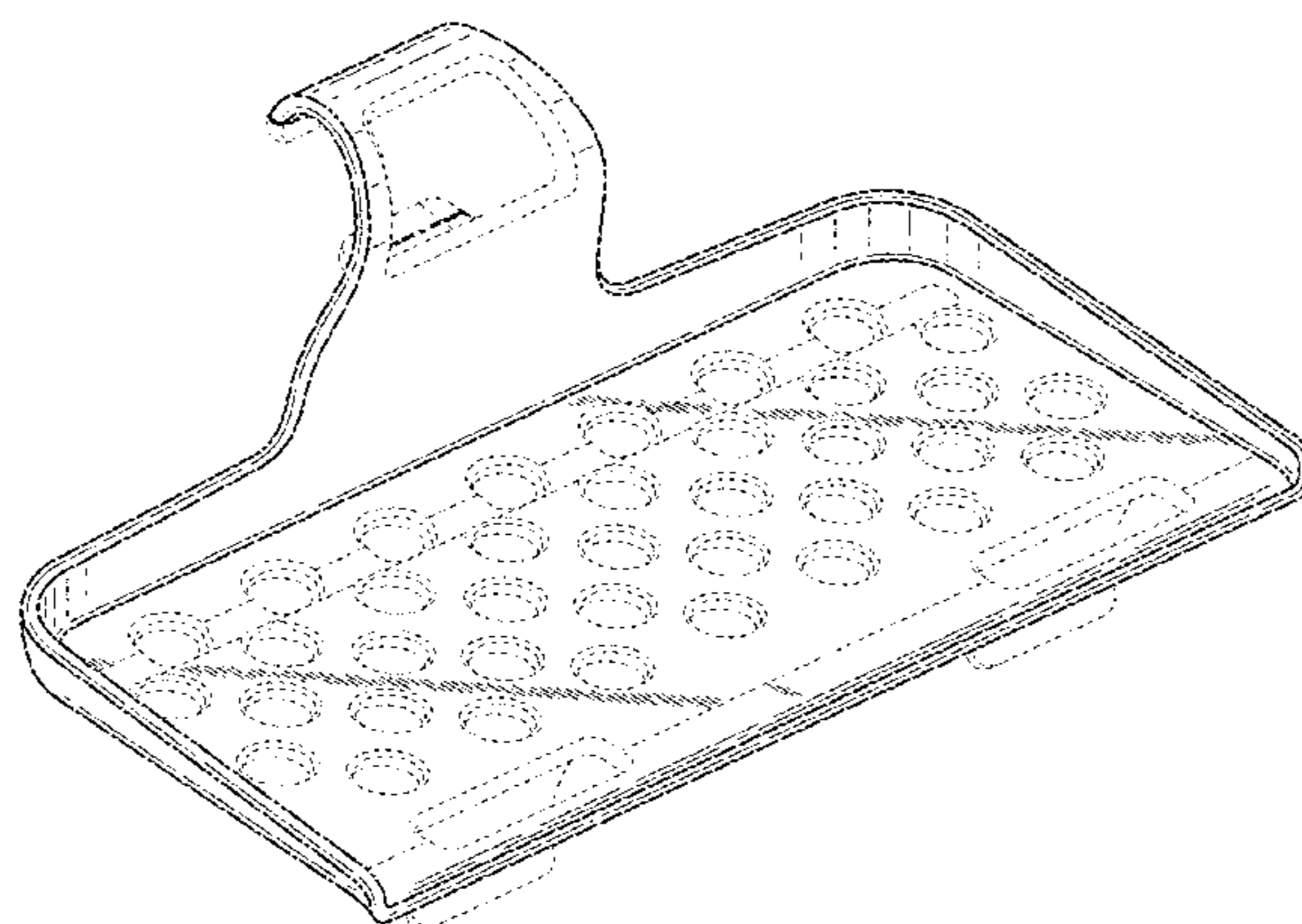
FIG. 12 is a top view thereof; and

FIG. 13 is a bottom view thereof; and,

FIG. 14 is a front, perspective view of the shopping cart shelf of FIG. 8 shown with unclaimed environmental subject matter.

The features shown in broken lines are portions of the shopping cart shelf or environmental subject matter to the shopping cart shelf forming no part of the claimed design. The features shown in long dash-short dash bolded broken lines indicate the bounds of the claimed design and otherwise form no part of the claimed design.

1 Claim, 8 Drawing Sheets



(56)

References Cited

U.S. PATENT DOCUMENTS

5,263,578	A	11/1993	Narvey				
5,417,353	A	5/1995	Stall				
5,494,308	A	2/1996	Southerland				
D368,566	S	4/1996	Glaeser				
D411,904	S *	7/1999	Risholm	D34/27			
D440,372	S *	4/2001	Williams	D34/27			
D445,231	S *	7/2001	Porter	D34/27			
D484,664	S	12/2003	Arceta				
D492,829	S *	7/2004	Babkes	D34/24			
6,944,981	B1	9/2005	Garberg et al.				
D523,207	S *	6/2006	Tucker	D34/27			
D536,503	S *	2/2007	Weigand	D34/27			
7,195,155	B2	3/2007	Garberg et al.				
D548,921	S	8/2007	Gaddy				
7,374,182	B2	5/2008	Gurley et al.				
D583,123	S	12/2008	Cassin, III				
D598,024	S	8/2009	Scott et al.				
8,077,453	B2	12/2011	Swan et al.				
8,162,331	B2	4/2012	Simonson et al.				
8,423,696	B2	4/2013	Thordarson				
D696,483	S *	12/2013	Otterlee	D34/27			
8,690,166	B2	4/2014	Peota et al.				
2002/0084628	A1	7/2002	Van Horn et al.				
2007/0273113	A1	11/2007	Muir				

* cited by examiner

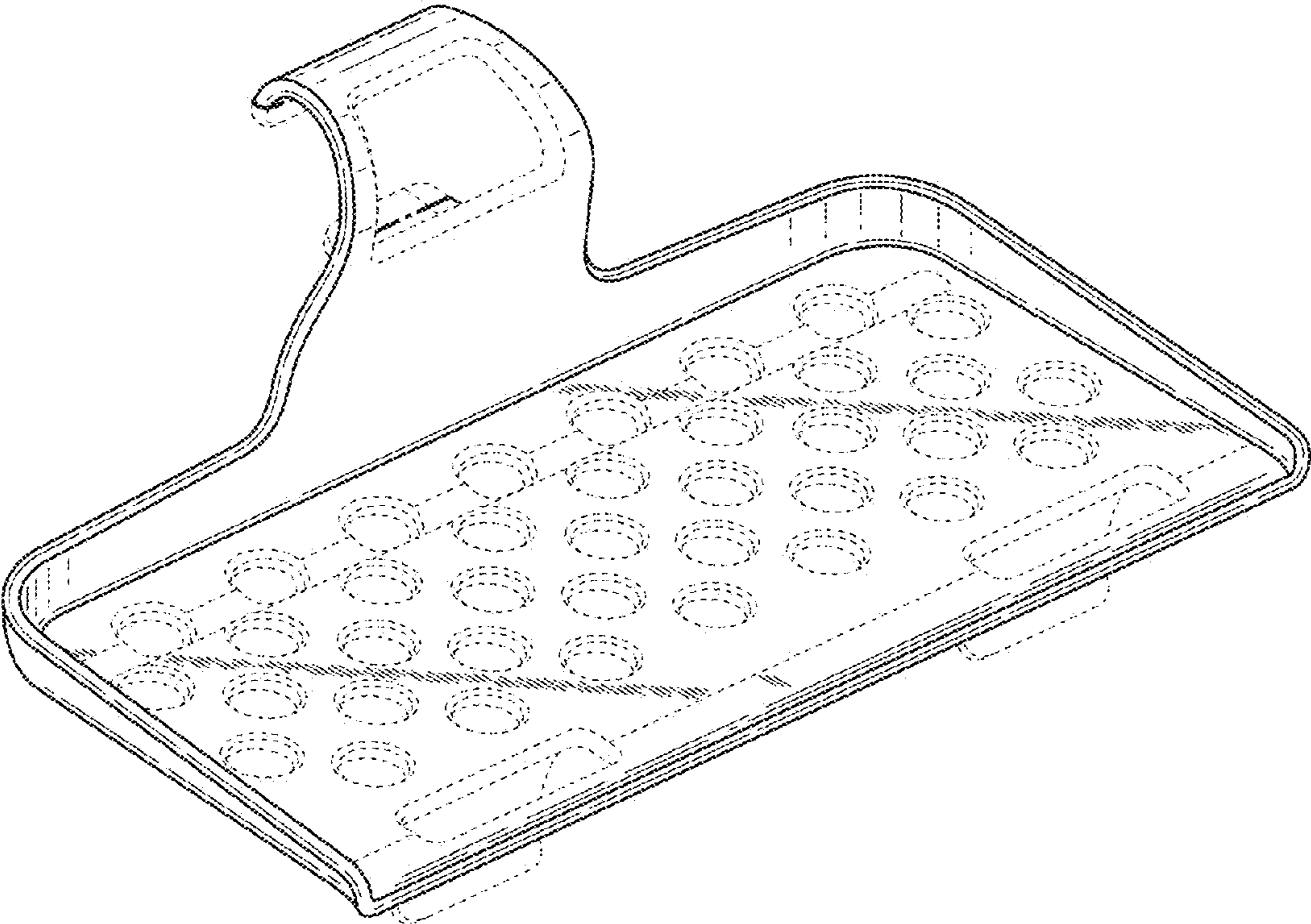


FIG. 1

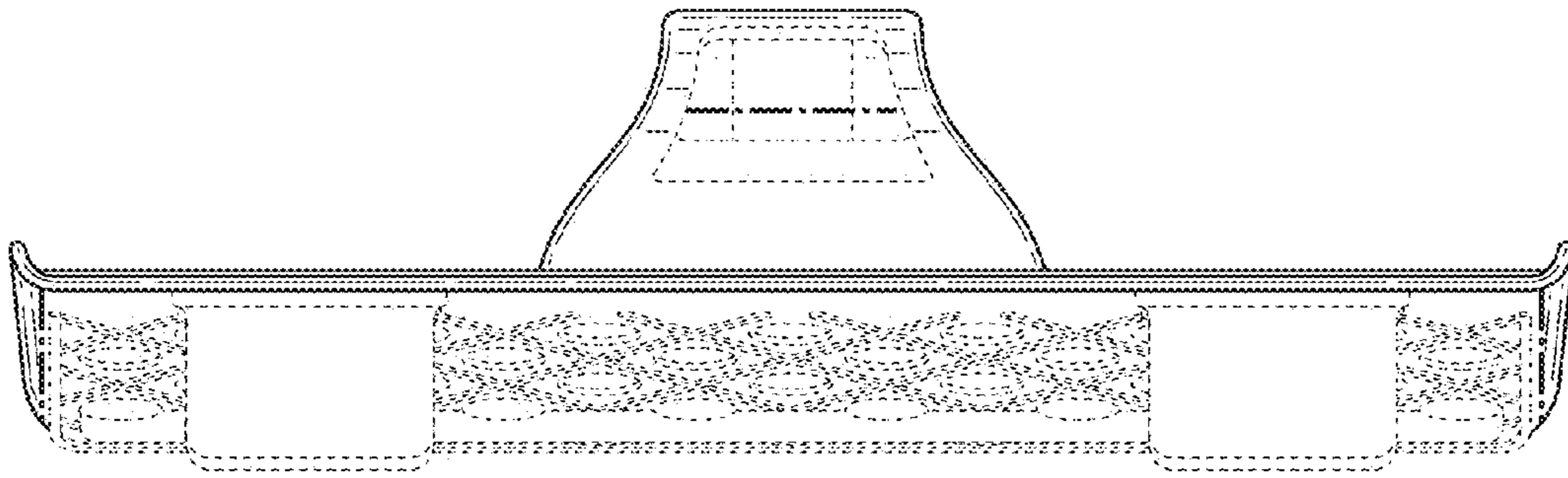


FIG. 2

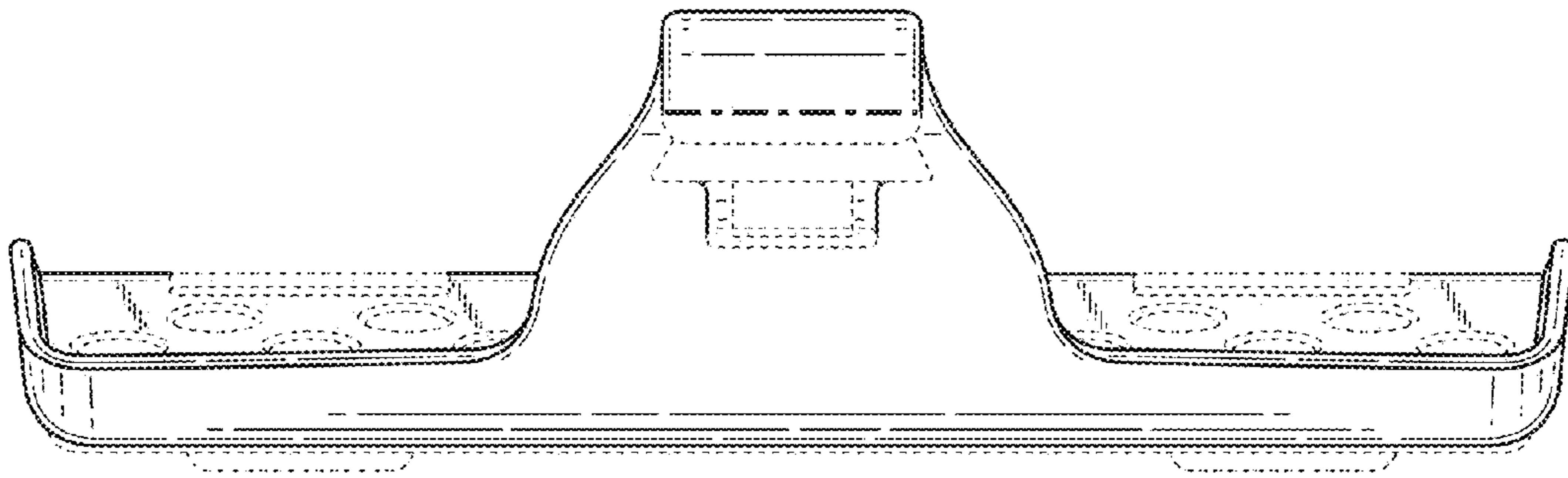


FIG. 3

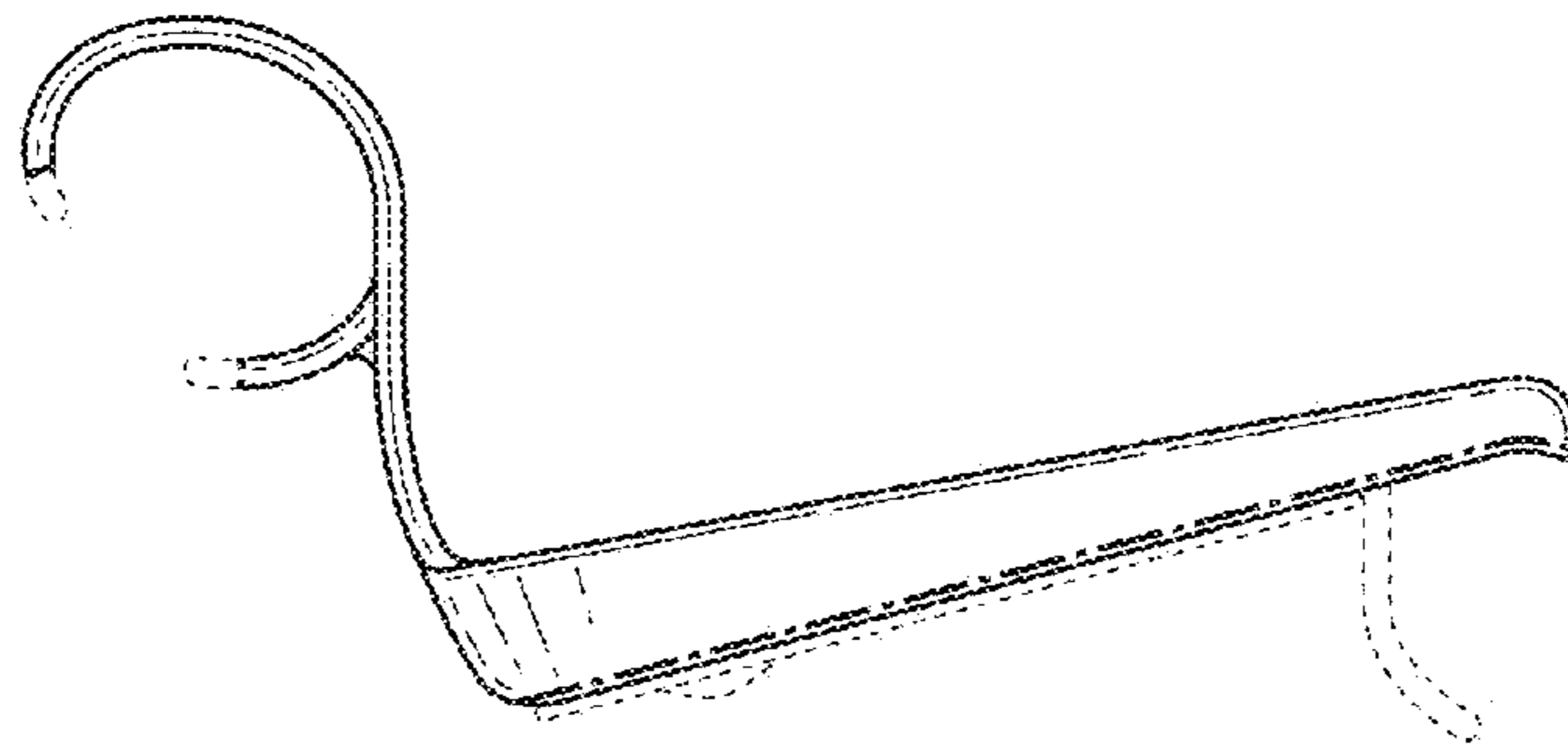


FIG. 4

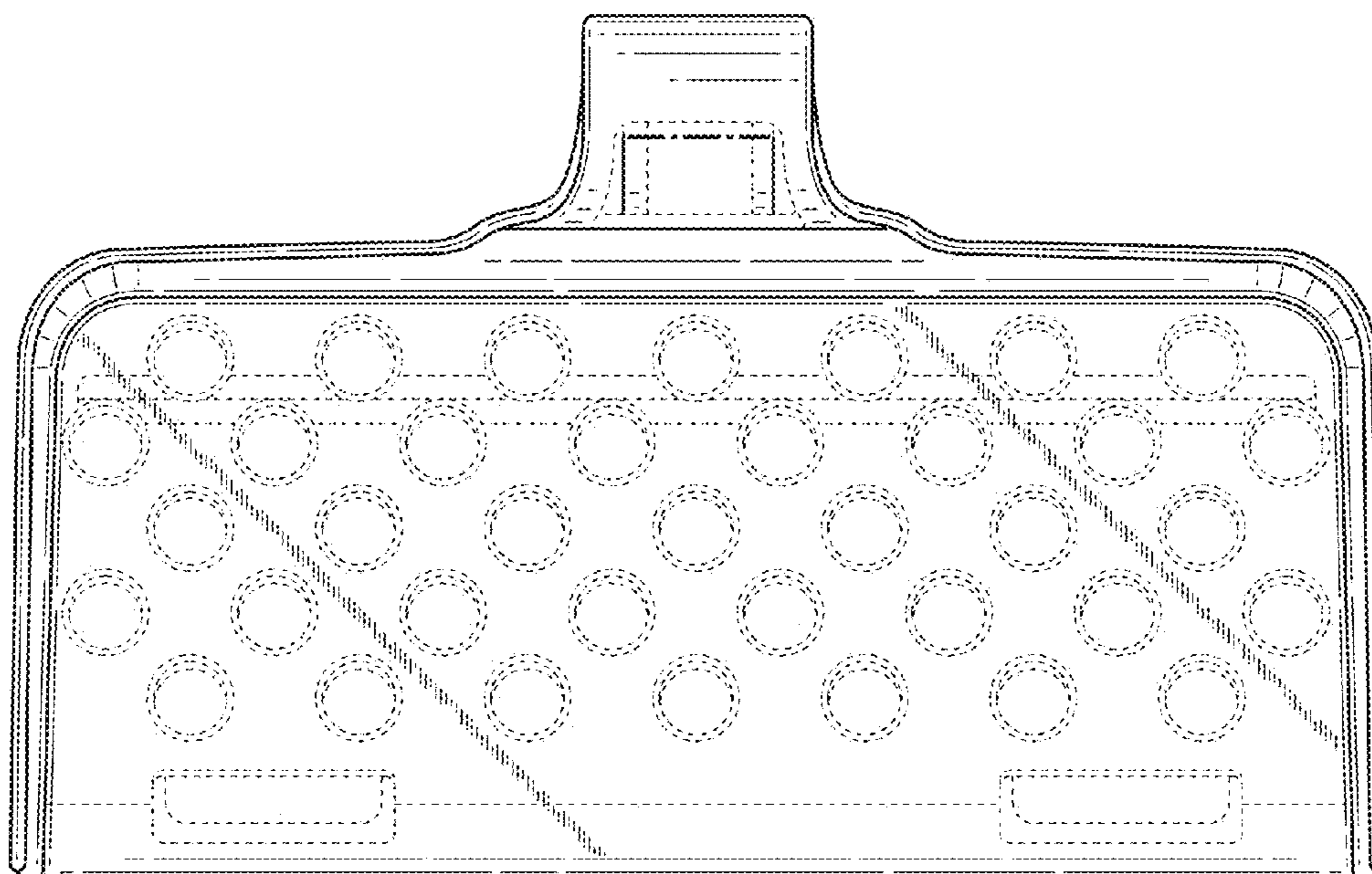


FIG. 5

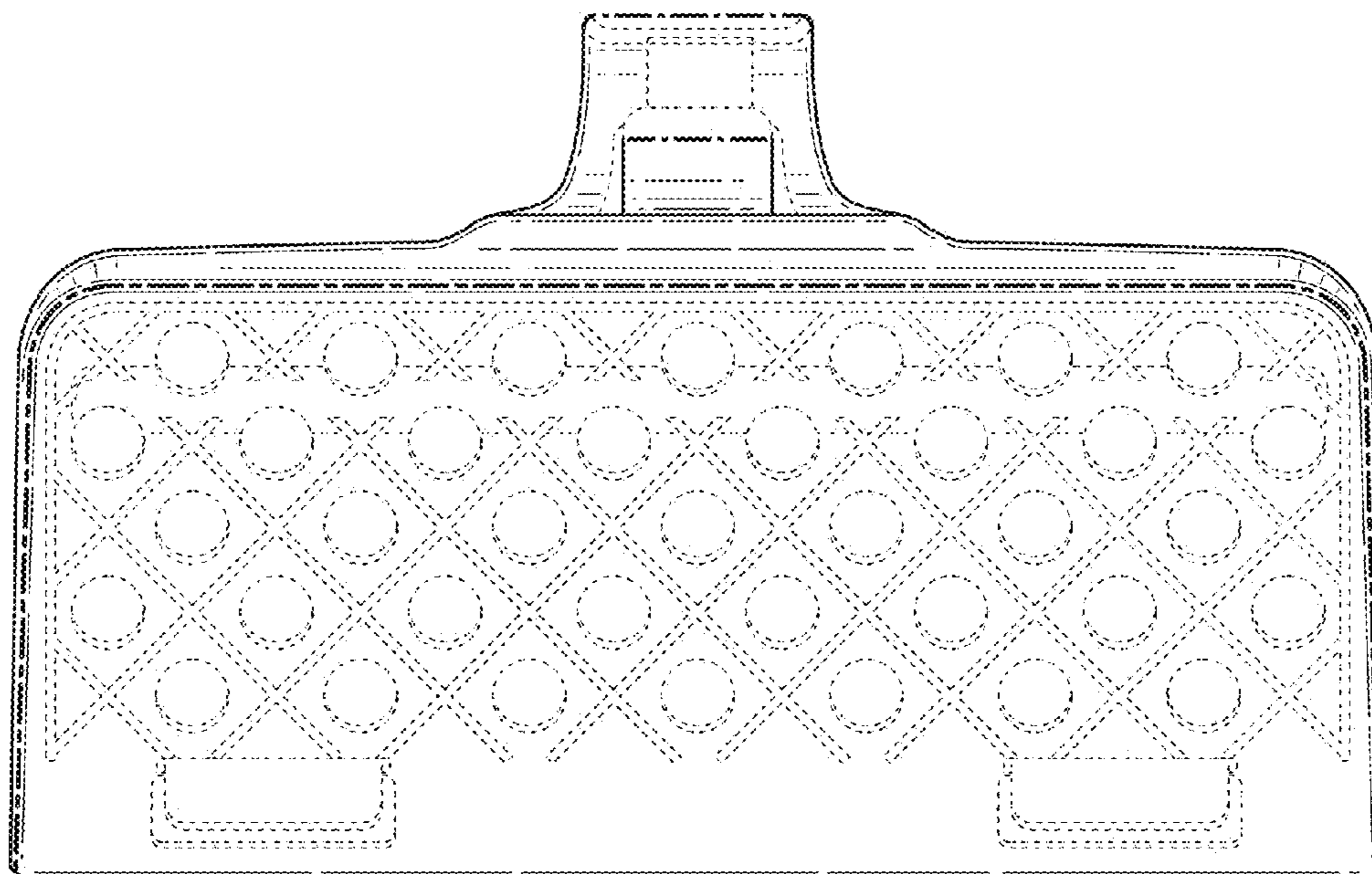


FIG. 6

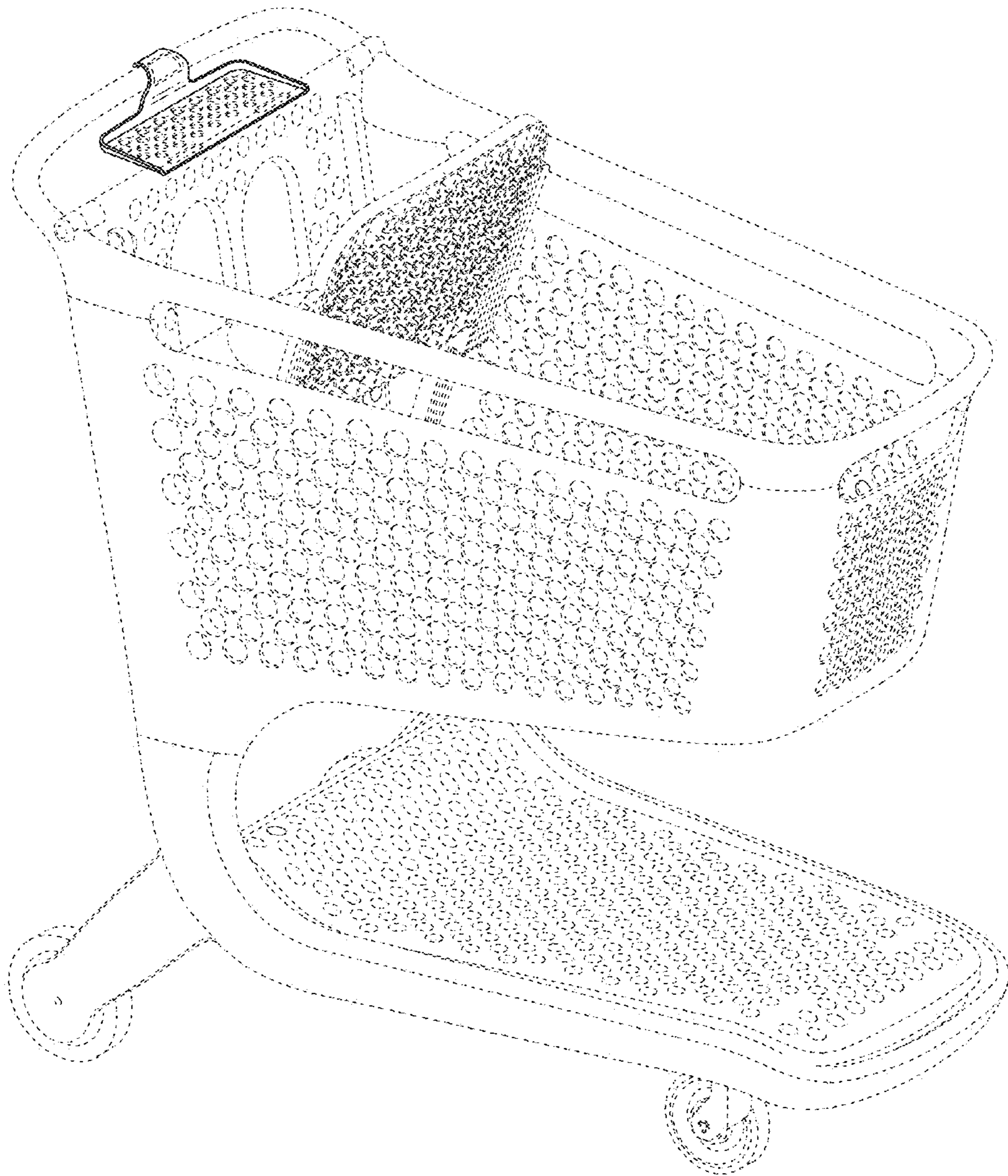


FIG. 7

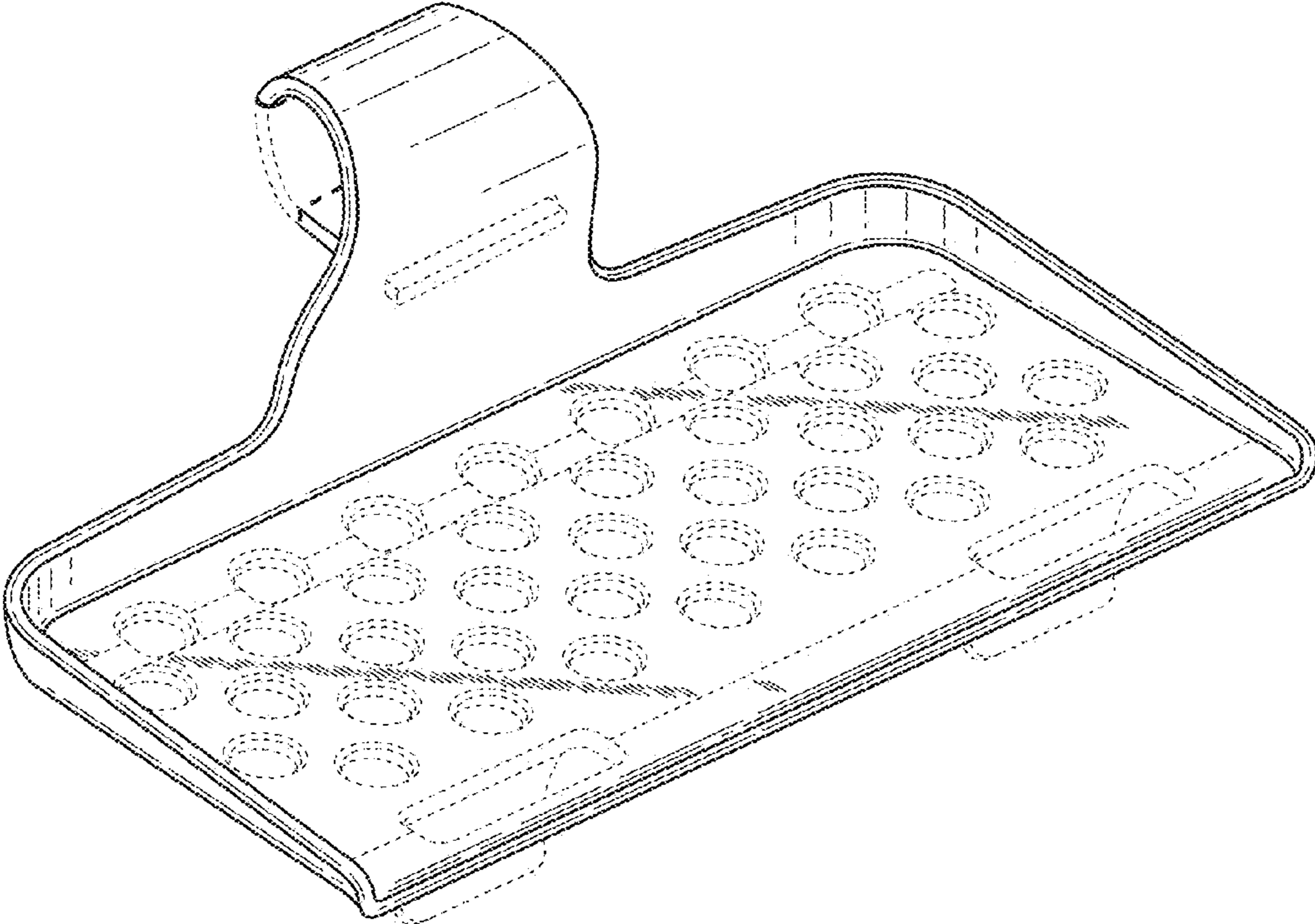


FIG. 8

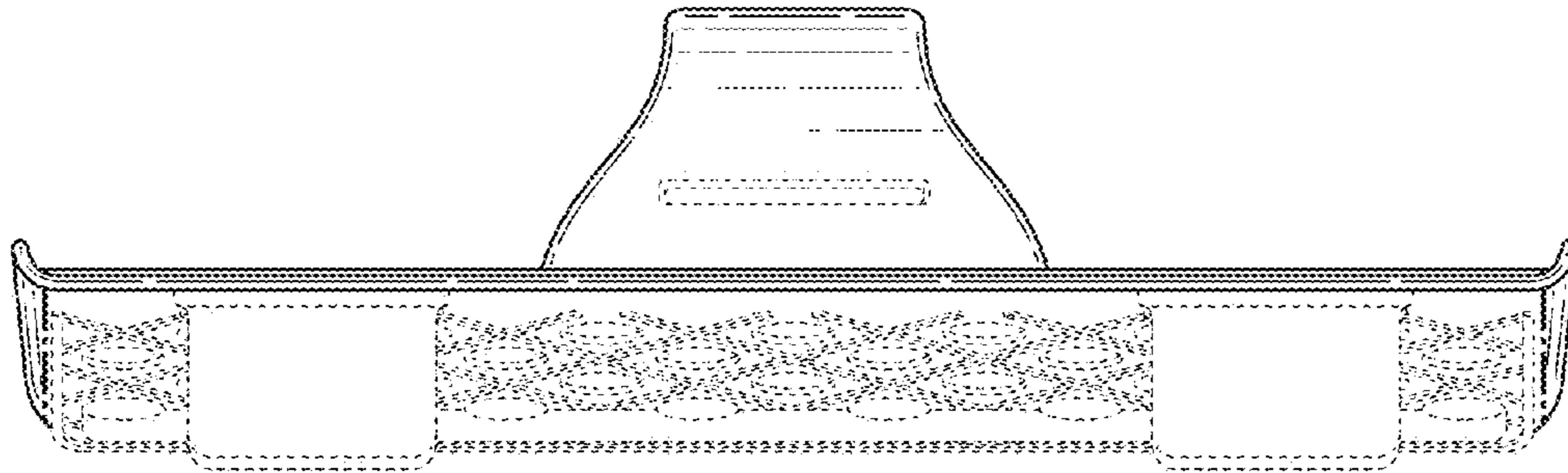


FIG. 9

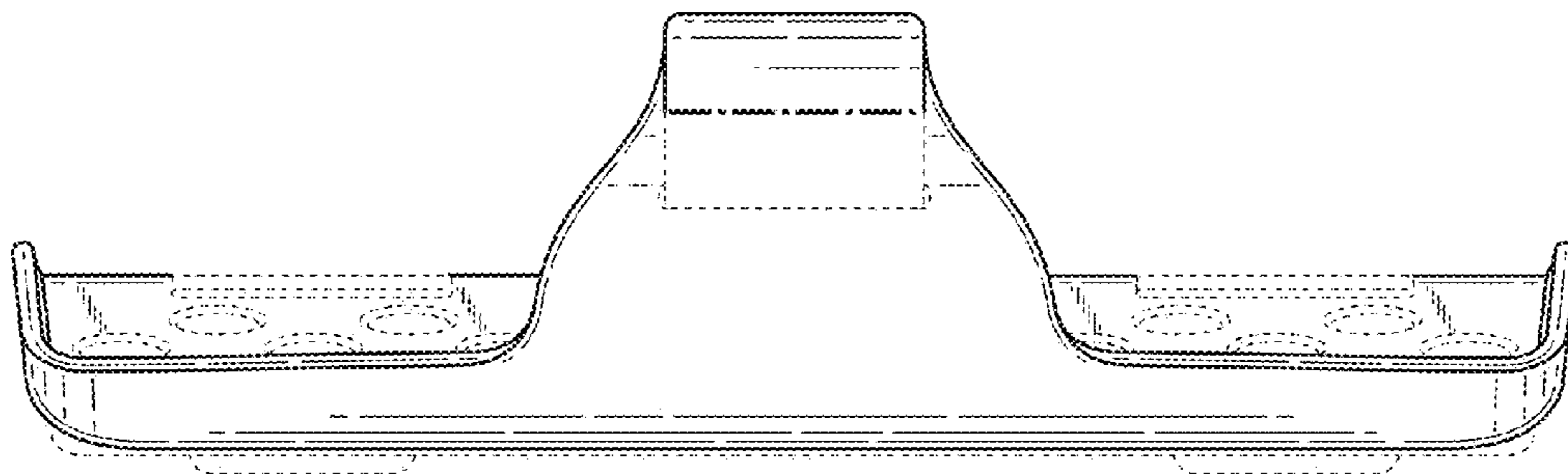


FIG. 10

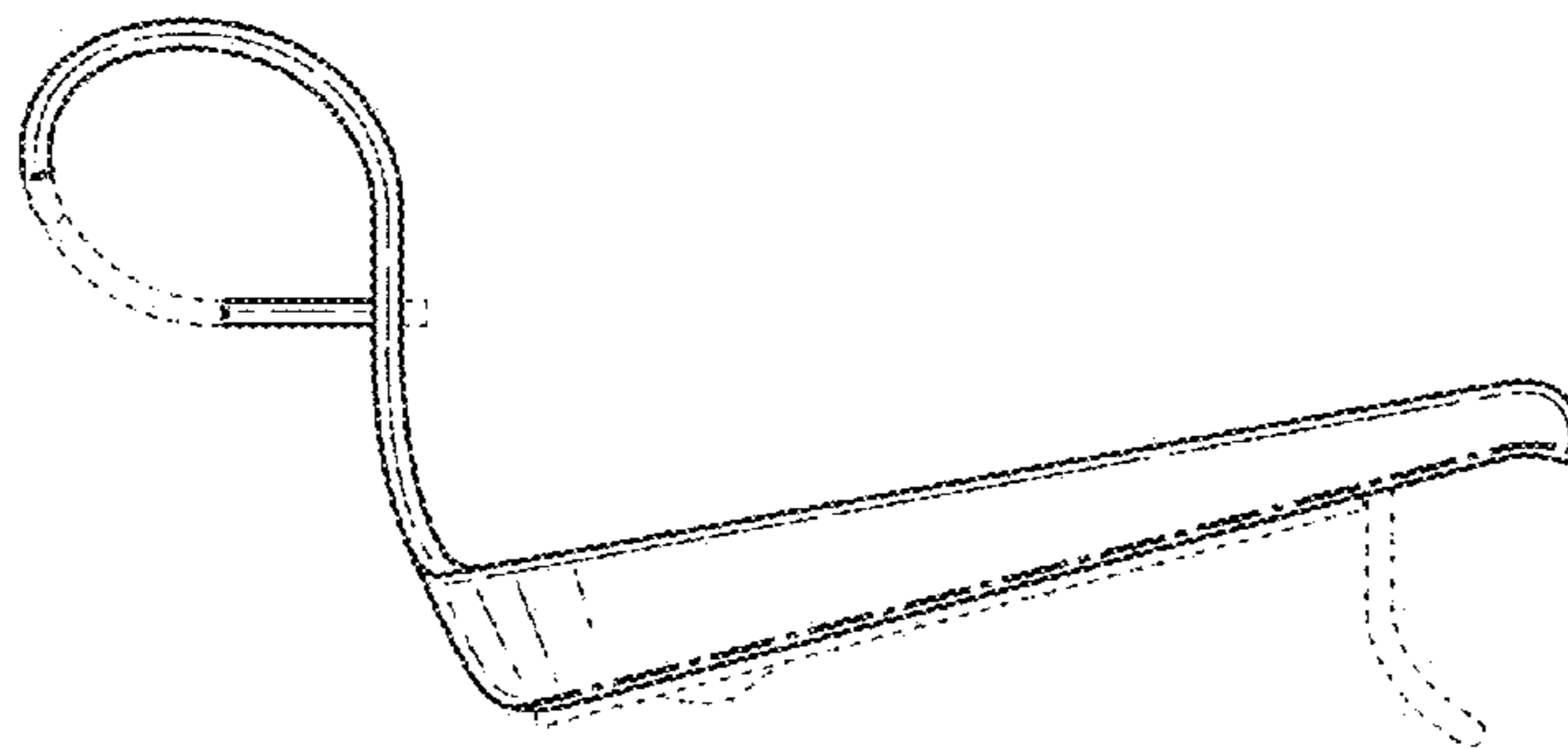


FIG. 11

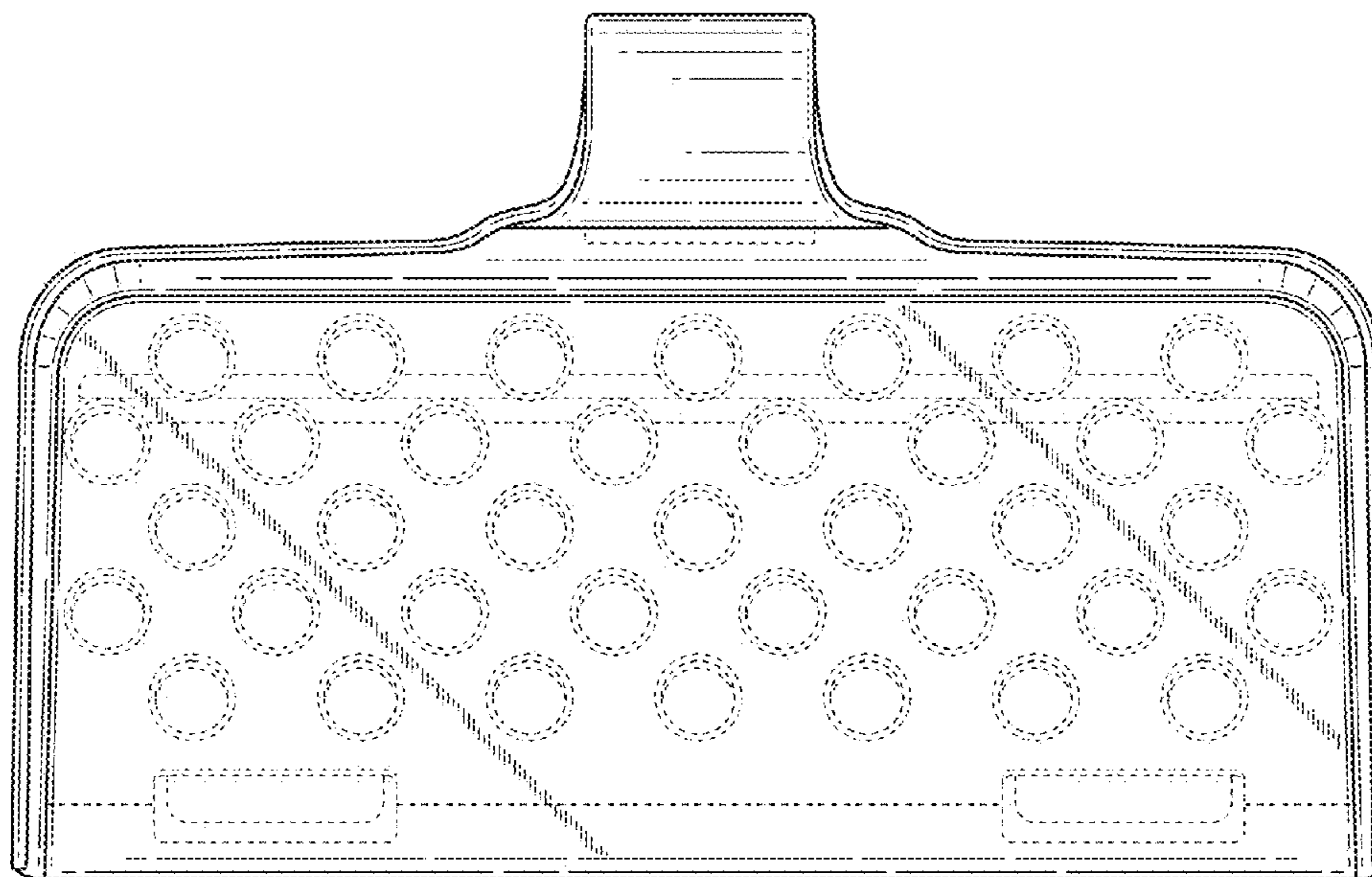


FIG. 12

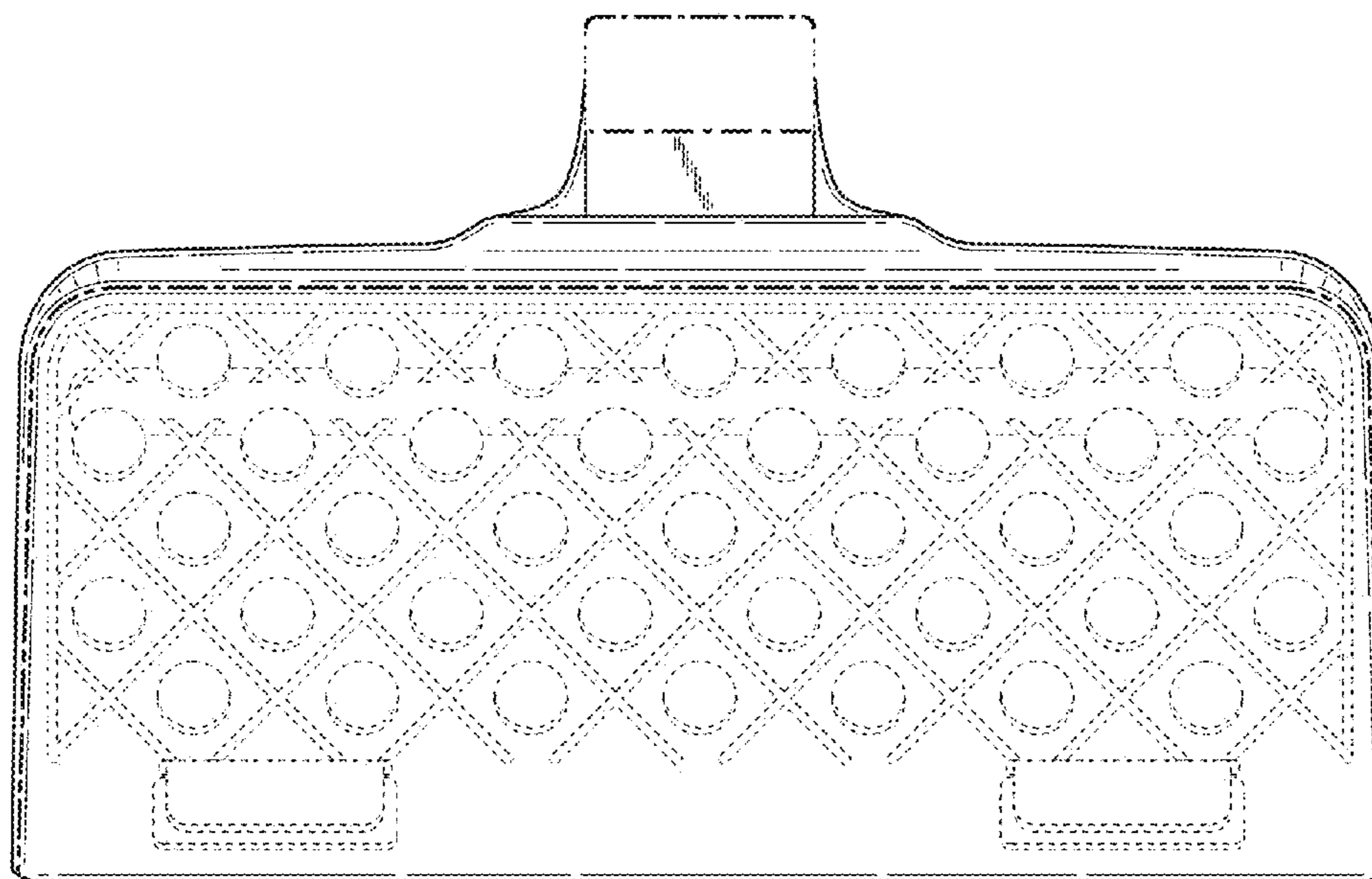


FIG. 13

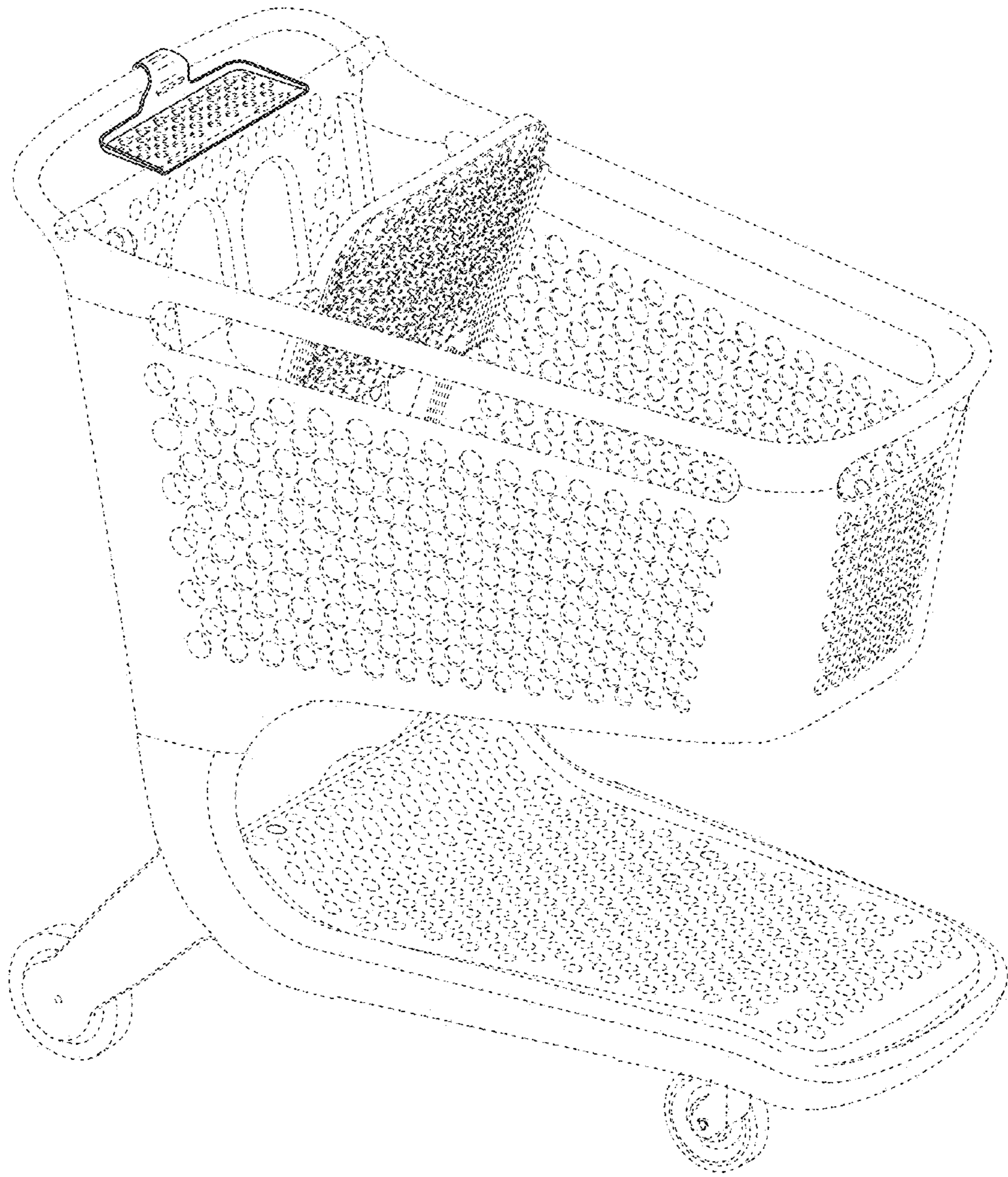


FIG. 14