

US00D760463S

(12) **United States Design Patent**  
**Kellogg**

(10) **Patent No.:** **US D760,463 S**  
(45) **Date of Patent:** **\*\* Jun. 28, 2016**

- (54) **LAUNDRY CART HANGER BAR**
- (71) Applicant: **Bajer Design & Marketing, Inc.**,  
Waukesha, WI (US)
- (72) Inventor: **Adam M. Kellogg**, Oconomowoc, WI  
(US)
- (73) Assignee: **Bajer Design & Marketing, Inc.**,  
Waukesha, WI (US)
- (\*\*) Term: **14 Years**
- (21) Appl. No.: **29/522,466**
- (22) Filed: **Mar. 31, 2015**
- (51) **LOC (10) Cl.** ..... **12-02**
- (52) **U.S. Cl.**  
USPC ..... **D34/27; D32/36**
- (58) **Field of Classification Search**  
USPC ..... D34/12-27; D32/36, 37; 280/33.991,  
280/33.992, 33.993, 47.33, 47.32, 651,  
280/47.26, 659; 211/175, 196, 85.24;  
D6/681.1  
CPC ..... B62B 3/146; B62B 3/027; B62B 3/02;  
B62B 3/10; B62B 3/022; A47K 10/06;  
A47K 10/24  
See application file for complete search history.

- 5,772,236 A 6/1998 Clark
- 5,967,342 A 10/1999 Steffine
- 6,019,381 A 2/2000 Krawczyk
- 6,032,965 A 3/2000 Sabounjian
- D434,538 S 11/2000 Thompson
- D459,044 S \* 6/2002 Felsenthal ..... D32/66
- 6,471,236 B1 10/2002 Eskridge
- D469,975 S \* 2/2003 Sparkowski ..... D6/681.1
- D474,316 S 5/2003 Sofy et al.
- 6,604,473 B2 8/2003 Felsenthal
- 6,691,879 B1 2/2004 Alvarez
- D496,180 S \* 9/2004 Abruzzo ..... D6/681.1
- D520,696 S 5/2006 Waldman
- 7,188,859 B2 \* 3/2007 Hardin ..... A45C 13/385  
280/47.2
- 7,252,302 B1 8/2007 Thurn
- 7,513,511 B2 4/2009 Chaseateau

(Continued)

*Primary Examiner* — Cynthia Ramirez  
(74) *Attorney, Agent, or Firm* — Ryan Kromholz & Manion,  
S.C.

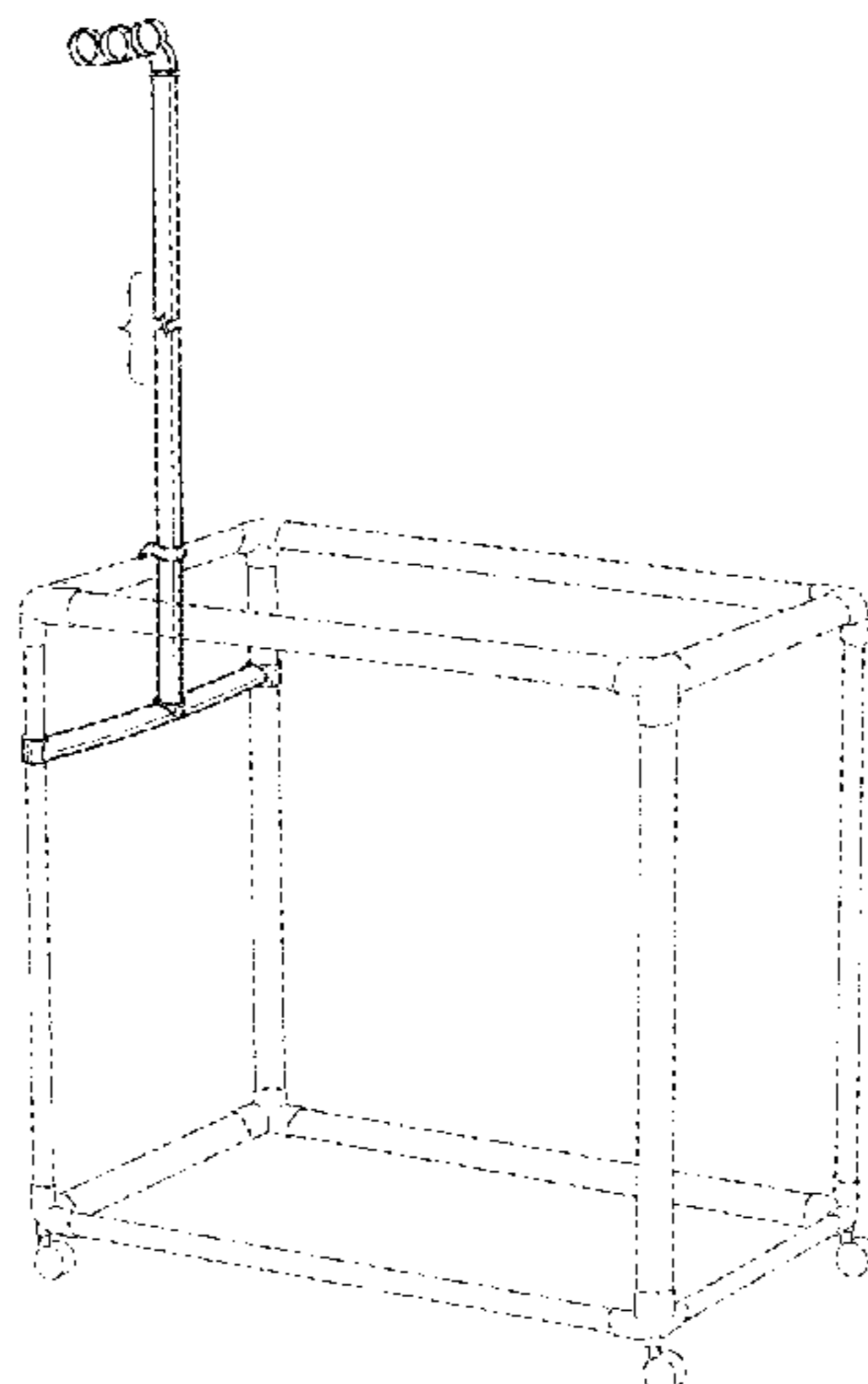
(57) **CLAIM**  
The ornamental design for a laundry cart hanger bar, as shown  
and described.

**DESCRIPTION**

FIG. 1 is a perspective view of the laundry cart hanger bar  
showing my new design;  
FIG. 2 is another perspective view thereof;  
FIG. 3 is a rear elevation view;  
FIG. 4 is a front elevation view;  
FIG. 5 is a top plan view;  
FIG. 6 is a bottom plan view;  
FIG. 7 is a right side elevation view; and,  
FIG. 8 is a left side view thereof.  
The broken lines in FIG. 1 are included only for the purpose  
of illustrating environmental structure and form no part of the  
claimed invention.  
The broken away symbols in FIGS. 1, 2, 3, 4, 7 and 8 indicate  
the appearance of any portion of the article between the break  
lines forms no part of the claimed design.

**1 Claim, 3 Drawing Sheets**

- (56) **References Cited**  
U.S. PATENT DOCUMENTS
- 2,733,930 A 2/1956 Putterman
- 2,901,262 A 8/1959 Berlin
- D186,428 S \* 10/1959 Gunning ..... 280/13
- D190,368 S \* 5/1961 Nobles ..... D32/16
- D230,969 S \* 3/1974 Saltzman ..... D34/21
- 4,055,357 A 10/1977 Sorocin
- D290,538 S 6/1987 Basore
- D299,805 S \* 2/1989 Pifher ..... D6/681.1
- 5,203,579 A \* 4/1993 Lipschitz ..... B62B 3/1472  
248/129
- 5,294,009 A 3/1994 Maurer
- D352,810 S 11/1994 Cassel



# US D760,463 S

Page 2

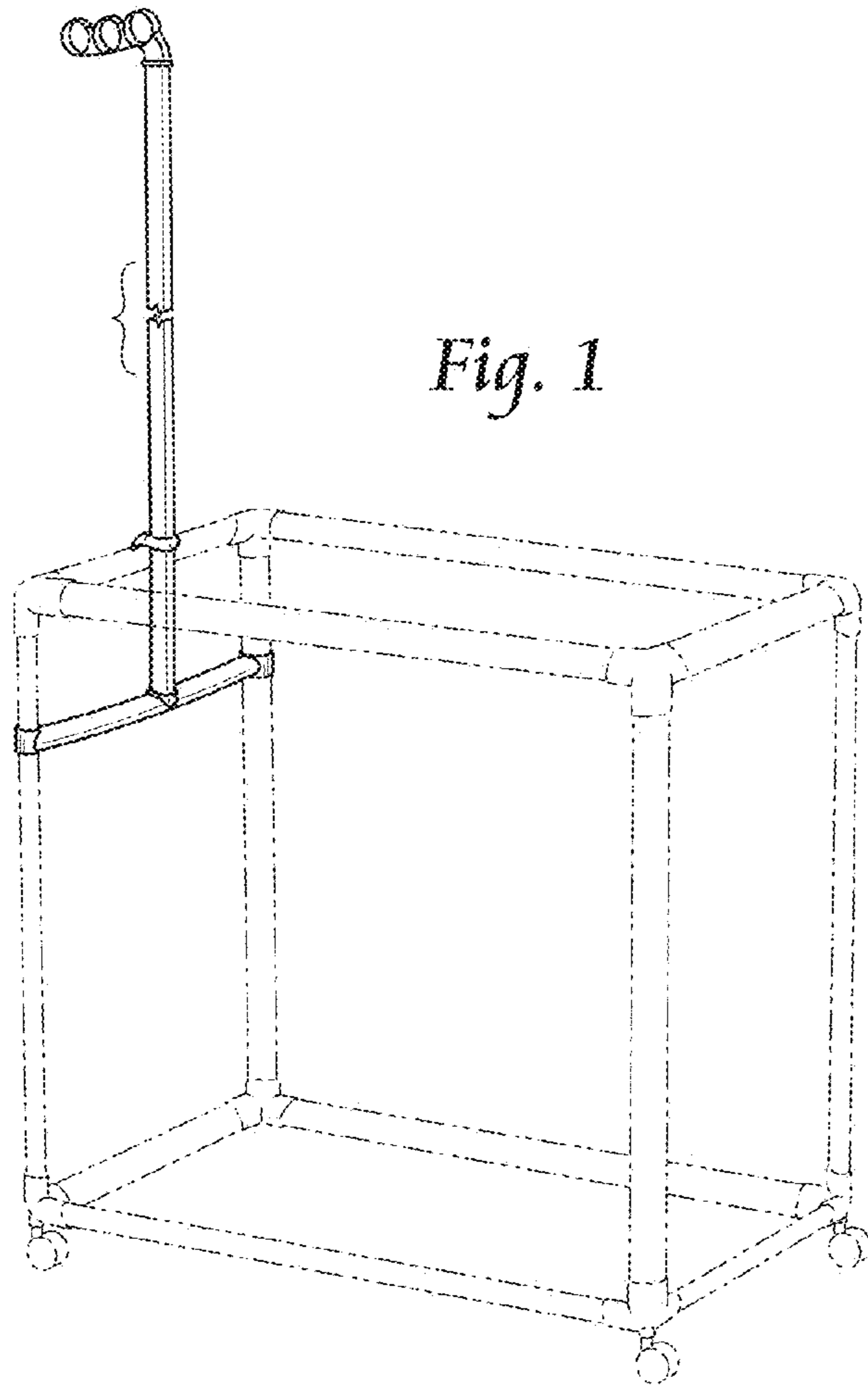
(56)

## References Cited

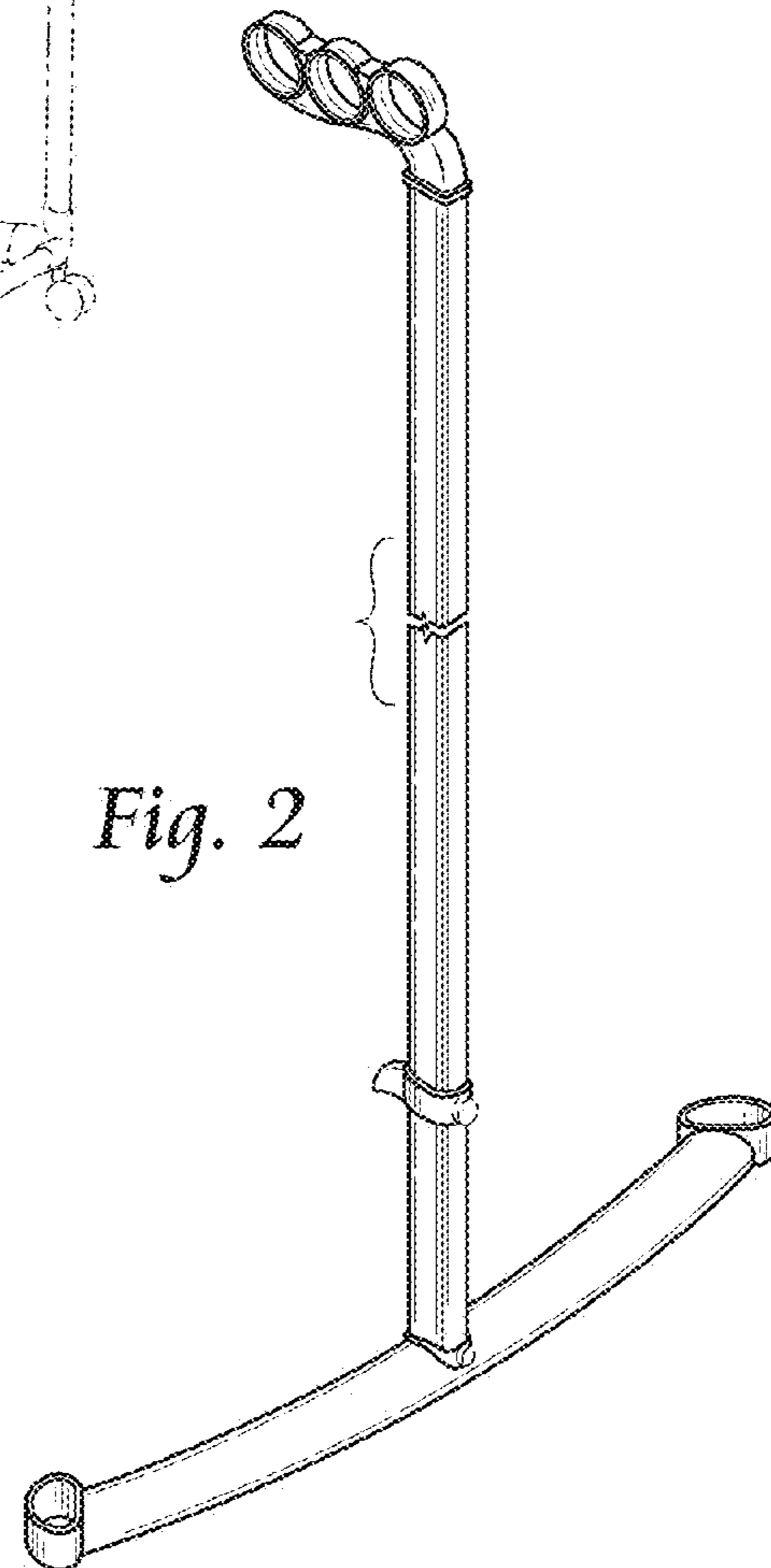
### U.S. PATENT DOCUMENTS

D608,518 S *	1/2010	Luebke .....	D34/21	8,820,777 B1	9/2014	Pargansky	
D619,316 S	7/2010	Yang et al.		D723,238 S *	2/2015	Spates .....	D34/20
D637,374 S *	5/2011	Giannetti .....	D34/27	9,033,348 B1 *	5/2015	Vadnais .....	B62B 1/10 280/47.28
D643,990 S *	8/2011	Rouillard .....	D34/27	D733,385 S *	6/2015	Spates .....	D34/20
D695,984 S *	12/2013	Rouillard .....	D34/27	D734,914 S *	7/2015	Tsai .....	D34/21
D697,284 S *	1/2014	Ho .....	D34/12	2012/0133111 A1 *	5/2012	Schmutzer .....	A61M 5/1415 280/651

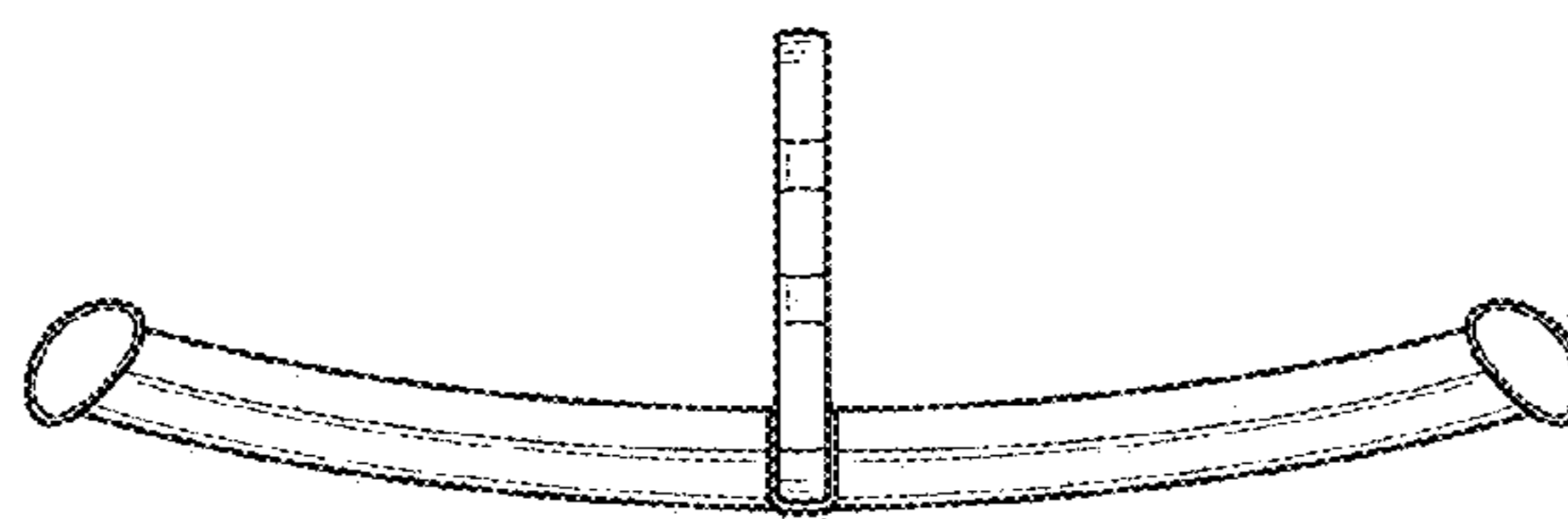
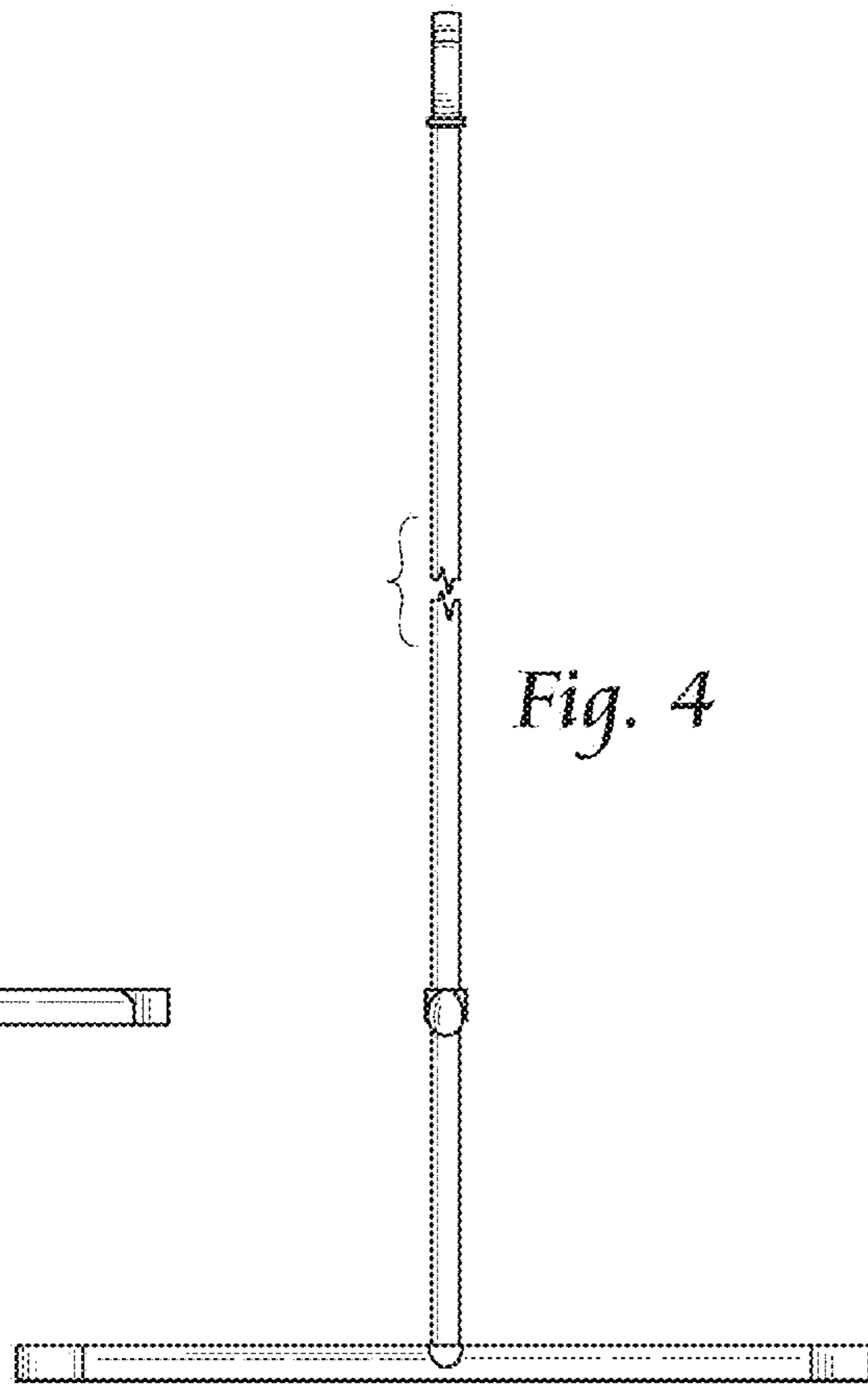
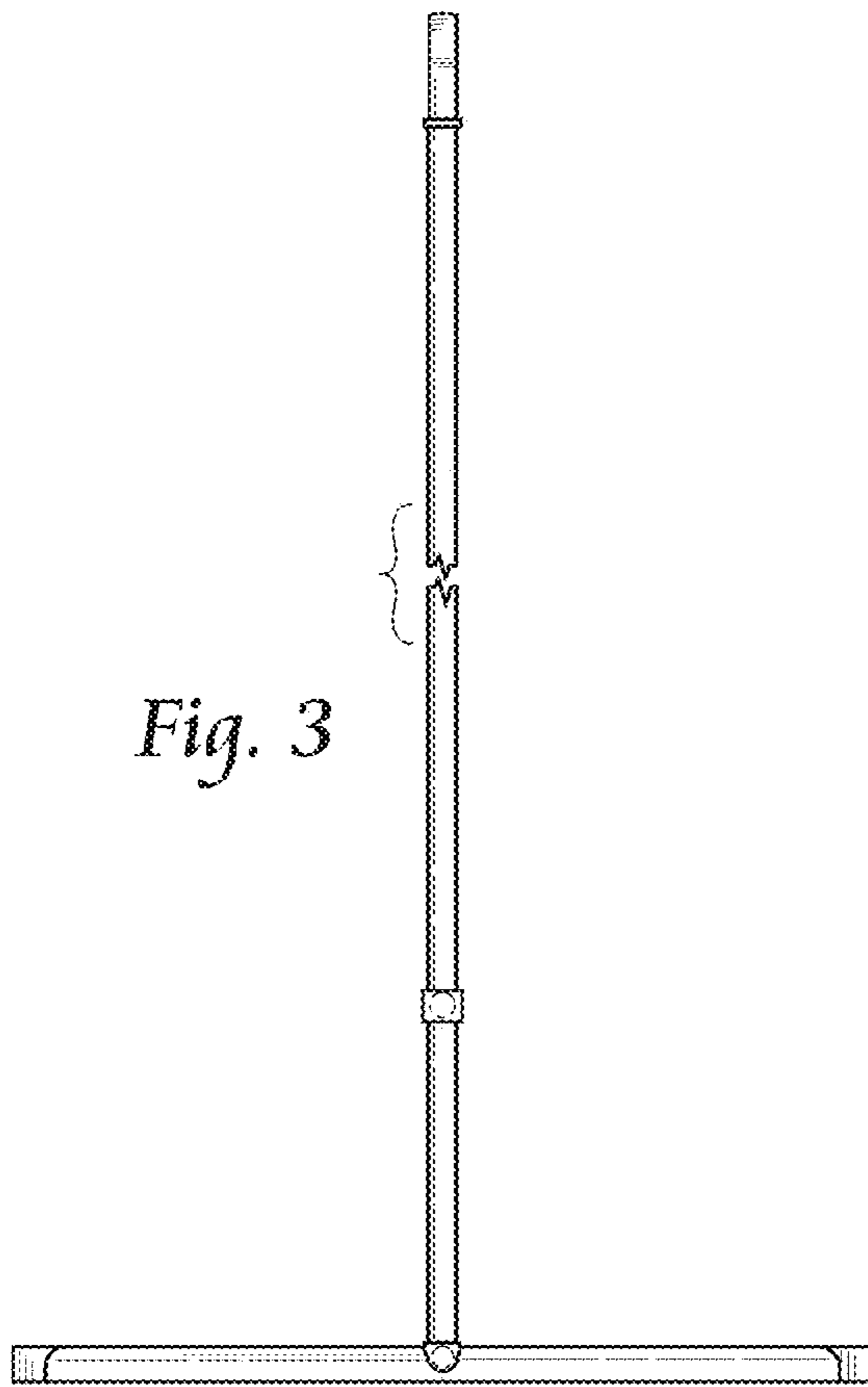
\* cited by examiner

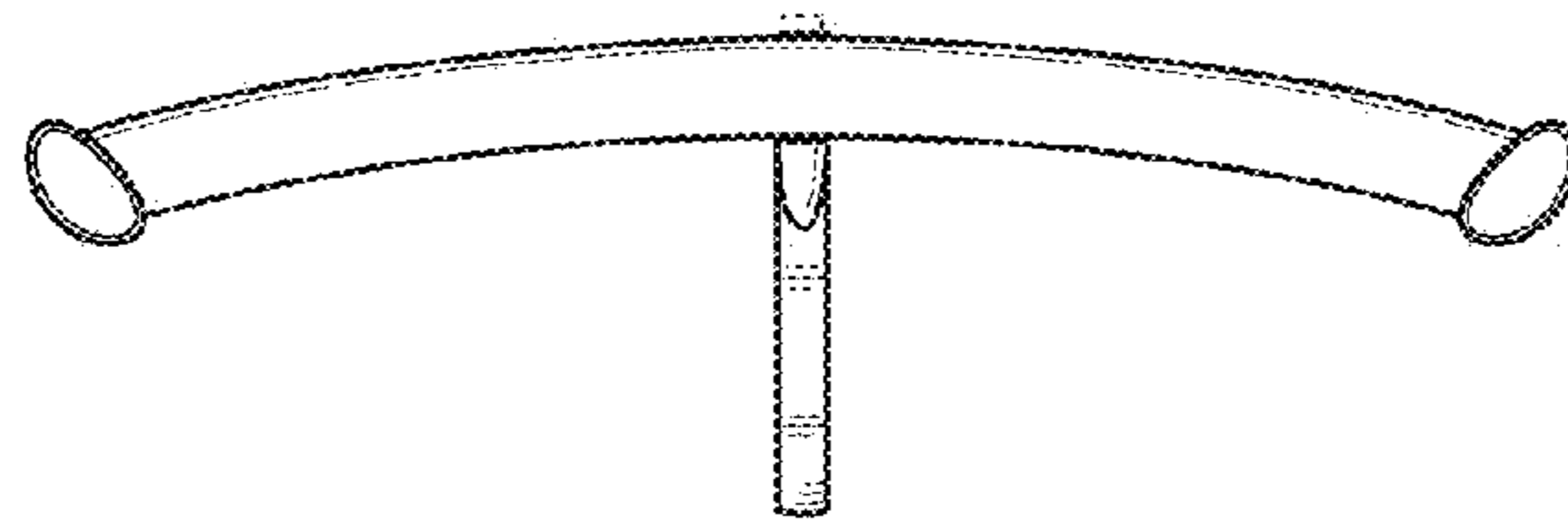


*Fig. 1*

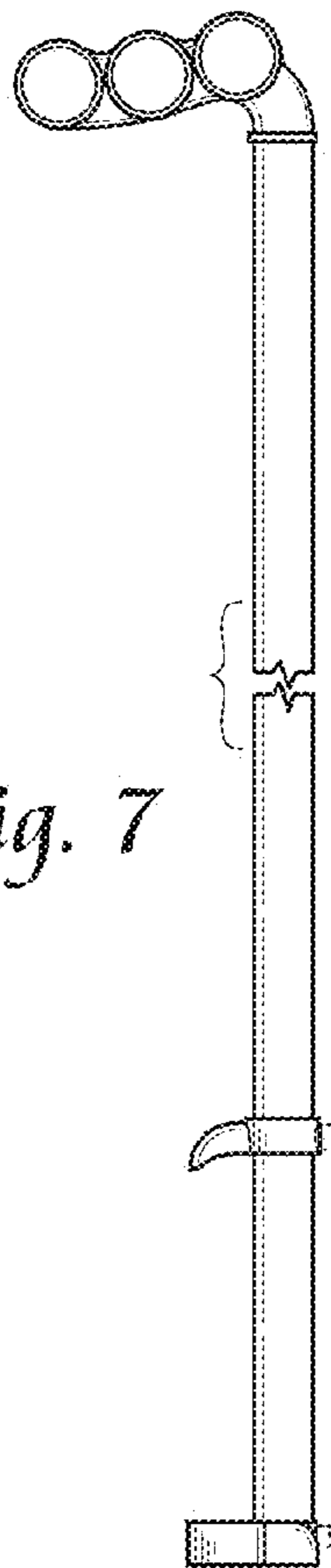


*Fig. 2*

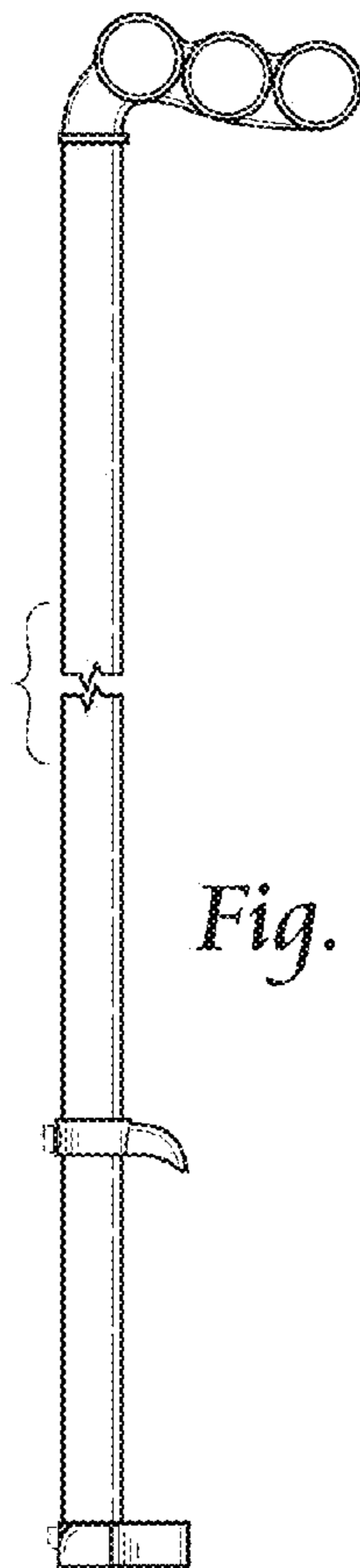




*Fig. 6*



*Fig. 7*



*Fig. 8*