



US00D760461S

(12) **United States Design Patent**  
**McSherry et al.**

(10) **Patent No.:** **US D760,461 S**  
(45) **Date of Patent:** **\*\* Jun. 28, 2016**

- (54) **PARTICLE COLLECTOR**
- (71) Applicant: **THE LAST LEAF, LLC**, Wheat Ridge, CO (US)
- (72) Inventors: **Ronald T. McSherry**, Morrison, CO (US); **Dennis Overton**, Arvada, CO (US)
- (\*\*) Term: **14 Years**
- (21) Appl. No.: **29/481,426**
- (22) Filed: **Feb. 5, 2014**
- (51) **LOC (10) Cl.** ..... **07-99**
- (52) **U.S. Cl.**  
USPC ..... **D34/6**
- (58) **Field of Classification Search**  
USPC ..... D34/1, 4-27; 248/99, 95, 97, 439, 128, 248/132, 136, 146, 147, 98, 164, 100, 131, 248/544, 558, 210, 175, 150, 153; 141/391, 141/315, 316, 390; 15/257.3, 257.1, 257.4, 15/257.6; 220/495.08, 495.09, 486; 297/184.15; 211/50, 119, 195; 100/34; 53/390; D6/566, 678.4; 108/11, 133  
CPC .. B65F 1/141; B65F 1/1468; B65F 2240/138; B65F 1/0066; B65F 1/0093; B65F 1/062; B65F 1/068; B65F 1/1615; B65F 2220/106; B65B 67/1205; B65B 67/12; B65B 67/1238; B65B 67/04; B65B 67/1233; B65B 67/1244; B65B 67/1255  
See application file for complete search history.

- D264,572 S \* 5/1982 Lowry ..... D34/26
- 4,613,104 A \* 9/1986 Garrott ..... B65B 67/1205  
248/175
- 4,623,111 A \* 11/1986 Prader ..... B65B 67/1227  
220/495.01
- 4,667,912 A \* 5/1987 DeVilbiss ..... B65B 67/1205  
248/150
- 4,749,011 A 6/1988 Rylander
- 4,783,031 A \* 11/1988 Ebentheuer ..... B65B 67/1205  
248/97
- D308,271 S \* 5/1990 Vreeken ..... D34/6
- 4,957,252 A \* 9/1990 Watkins ..... B65B 67/1238  
248/100
- 5,000,406 A 3/1991 Petersen
- D318,352 S \* 7/1991 Allen ..... D34/5
- 5,031,277 A 7/1991 Coker
- RE33,842 E \* 3/1992 Ebentheuer ..... B65B 67/1233  
248/97
- 5,350,142 A \* 9/1994 Kurtzman ..... B65B 67/1227  
248/95
- 5,393,022 A 2/1995 Palumbo
- 5,427,340 A \* 6/1995 Stromsmoe ..... B65B 67/1205  
248/175
- D371,661 S \* 7/1996 Linder ..... D34/21
- D388,923 S \* 1/1998 Pacheco ..... D34/12

(Continued)

*Primary Examiner* — Cynthia Ramirez  
*Assistant Examiner* — Gino Colan  
(74) *Attorney, Agent, or Firm* — The Reilly Intellectual Property Law Firm, P.C.

(57) **CLAIM**  
The ornamental design for a particle collector, as shown and described.

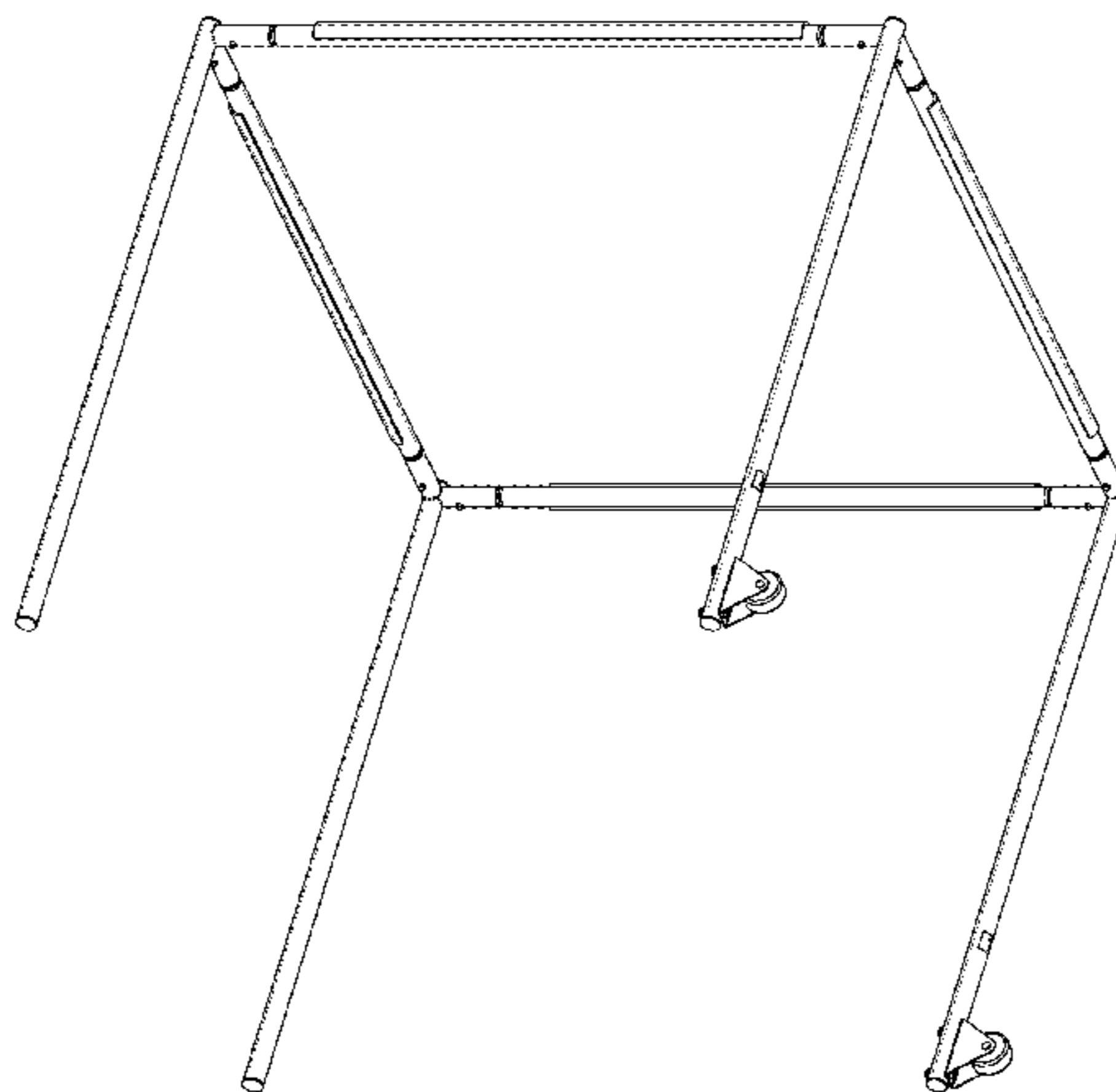
**DESCRIPTION**

FIG. 1 is a perspective view of a particle collector showing our new design;  
FIG. 2 is a top plan view of FIG. 1;  
FIG. 3 is a side view of FIG. 1;  
FIG. 4 is a bottom plan view of FIG. 1;  
FIG. 5 is another side view of FIG. 1;  
FIG. 6 is another side view of FIG. 1;  
FIG. 7 is another side view of FIG. 1; and,  
FIG. 8 is an exploded view of FIG. 1.

**1 Claim, 8 Drawing Sheets**

(56) **References Cited**  
U.S. PATENT DOCUMENTS

- 447,686 A \* 3/1891 Holladay ..... B65B 67/12  
141/390
- D168,275 S \* 11/1952 Rhodes ..... 297/6
- 3,598,350 A \* 8/1971 Kaufman ..... B65B 67/12  
248/146
- 3,659,816 A \* 5/1972 Wilson ..... D06F 95/004  
248/175
- 4,174,085 A \* 11/1979 Ferreira ..... B65B 67/1205  
108/11
- D260,596 S \* 9/1981 Vreeken ..... D34/6



(56)

**References Cited**

U.S. PATENT DOCUMENTS

D389,632 S *	1/1998	Reddin .....	D34/6	6,402,098 B2 *	6/2002	Rosky .....	B65B 67/1227 248/175
D389,971 S	1/1998	Zickenberg		6,511,026 B2	1/2003	Hatfield	
6,267,334 B1 *	7/2001	Siu .....	B65F 1/1415 248/95	7,066,220 B1	6/2006	Take et al.	
6,334,593 B2 *	1/2002	Inoue .....	248/95	8,038,107 B1	10/2011	Goins	
				2002/0100844 A1	8/2002	Green	
				2005/0087657 A1	4/2005	Dran	

\* cited by examiner

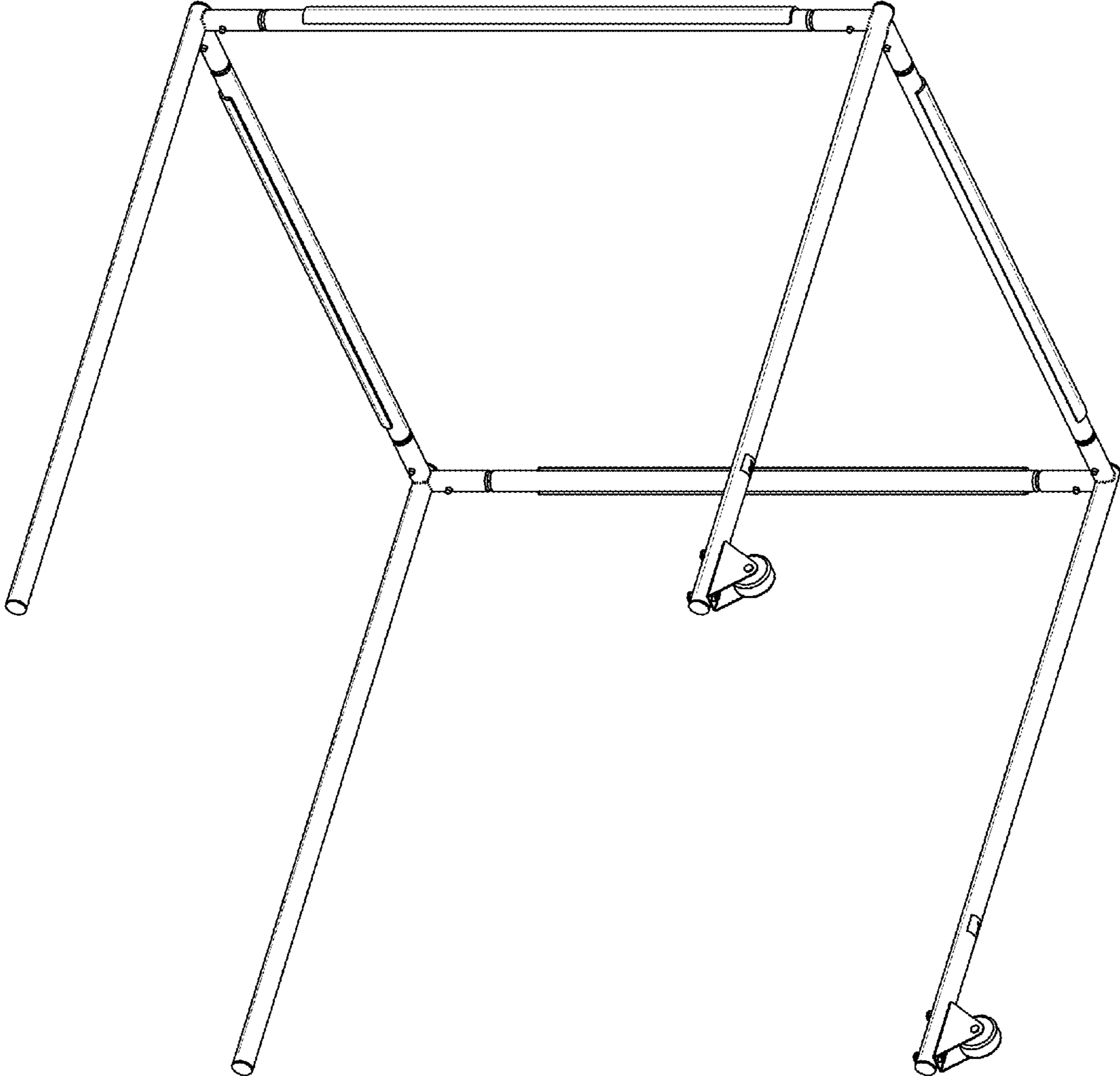


FIG. 1

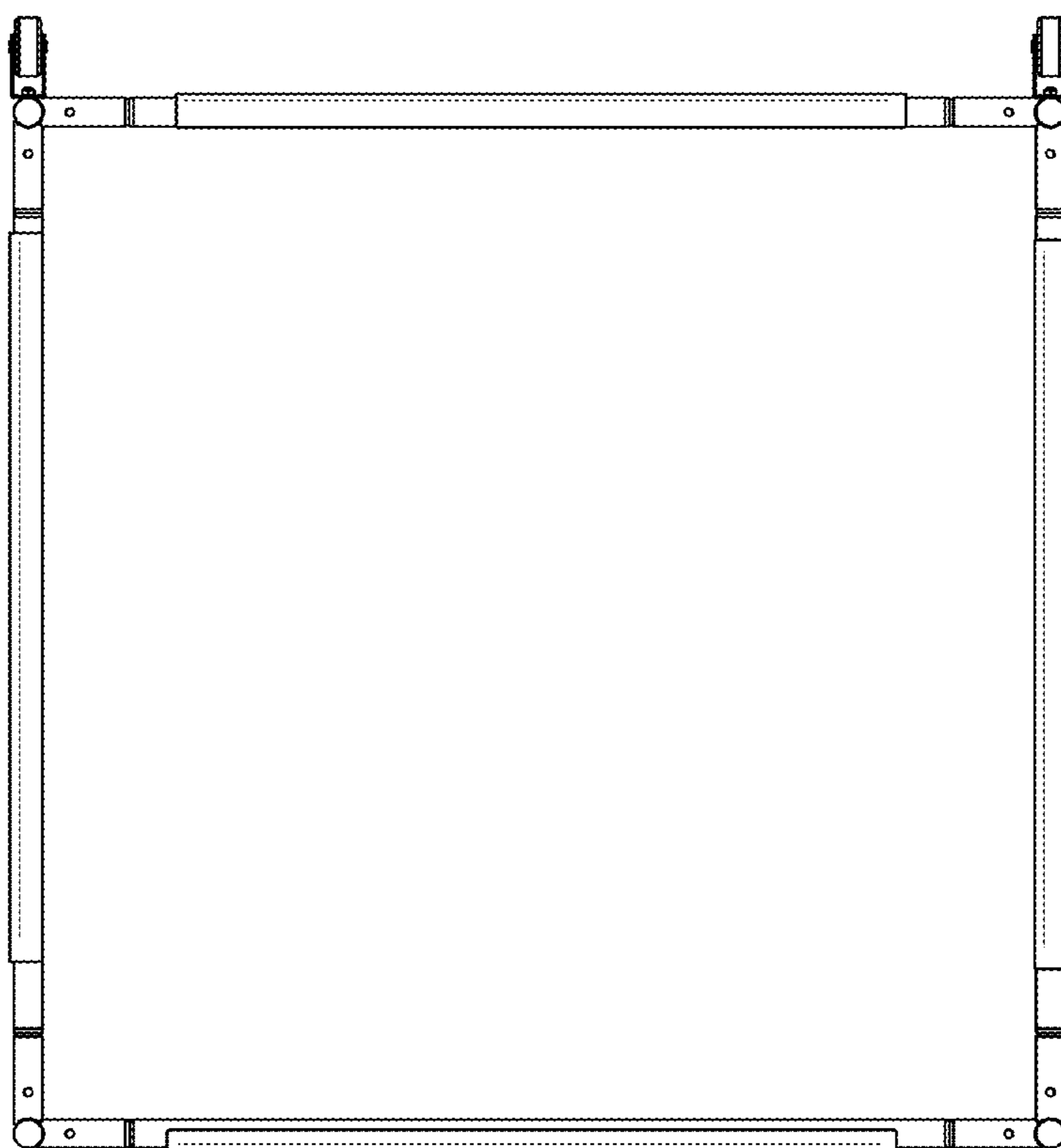


FIG. 2

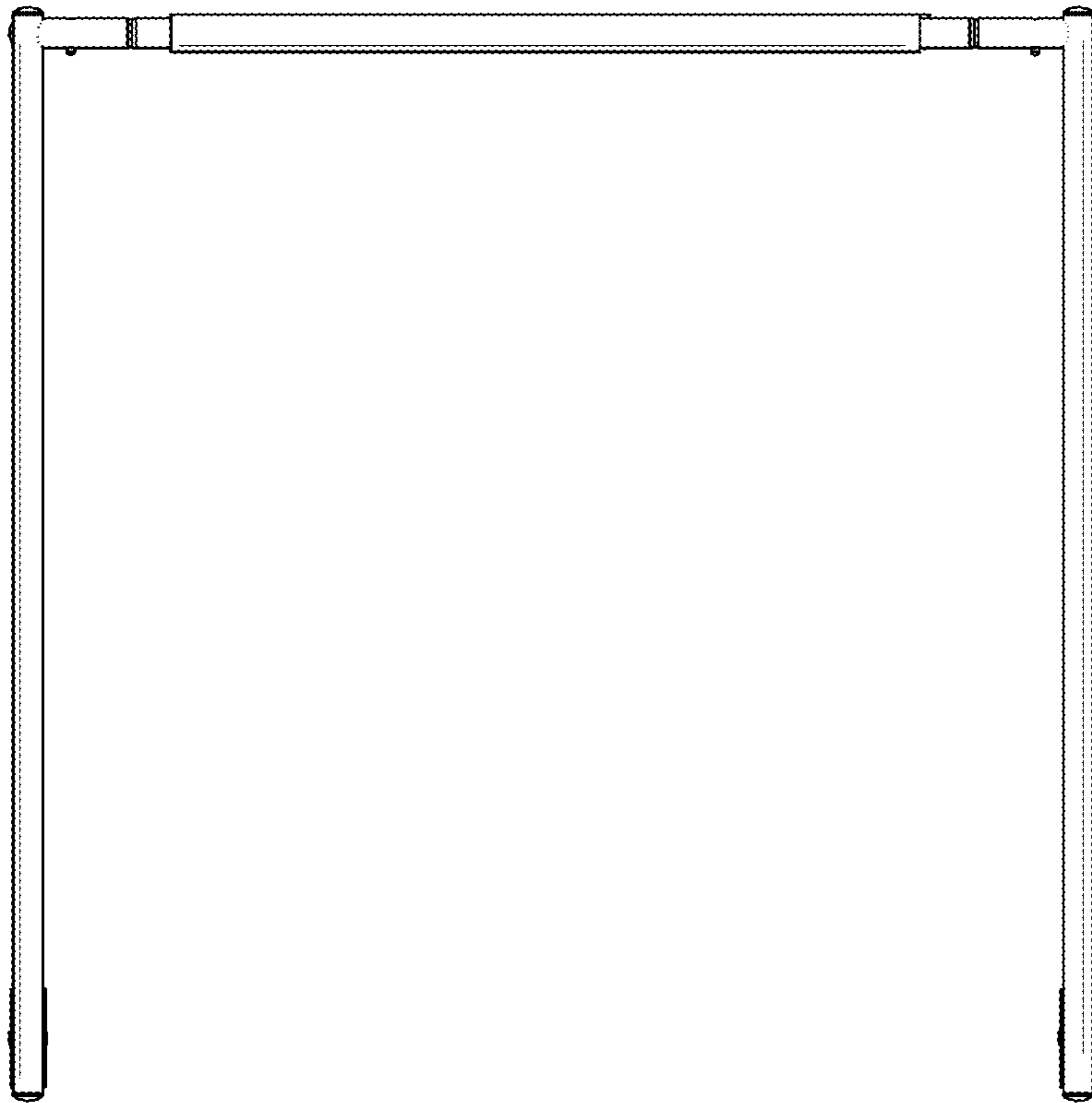


FIG. 3

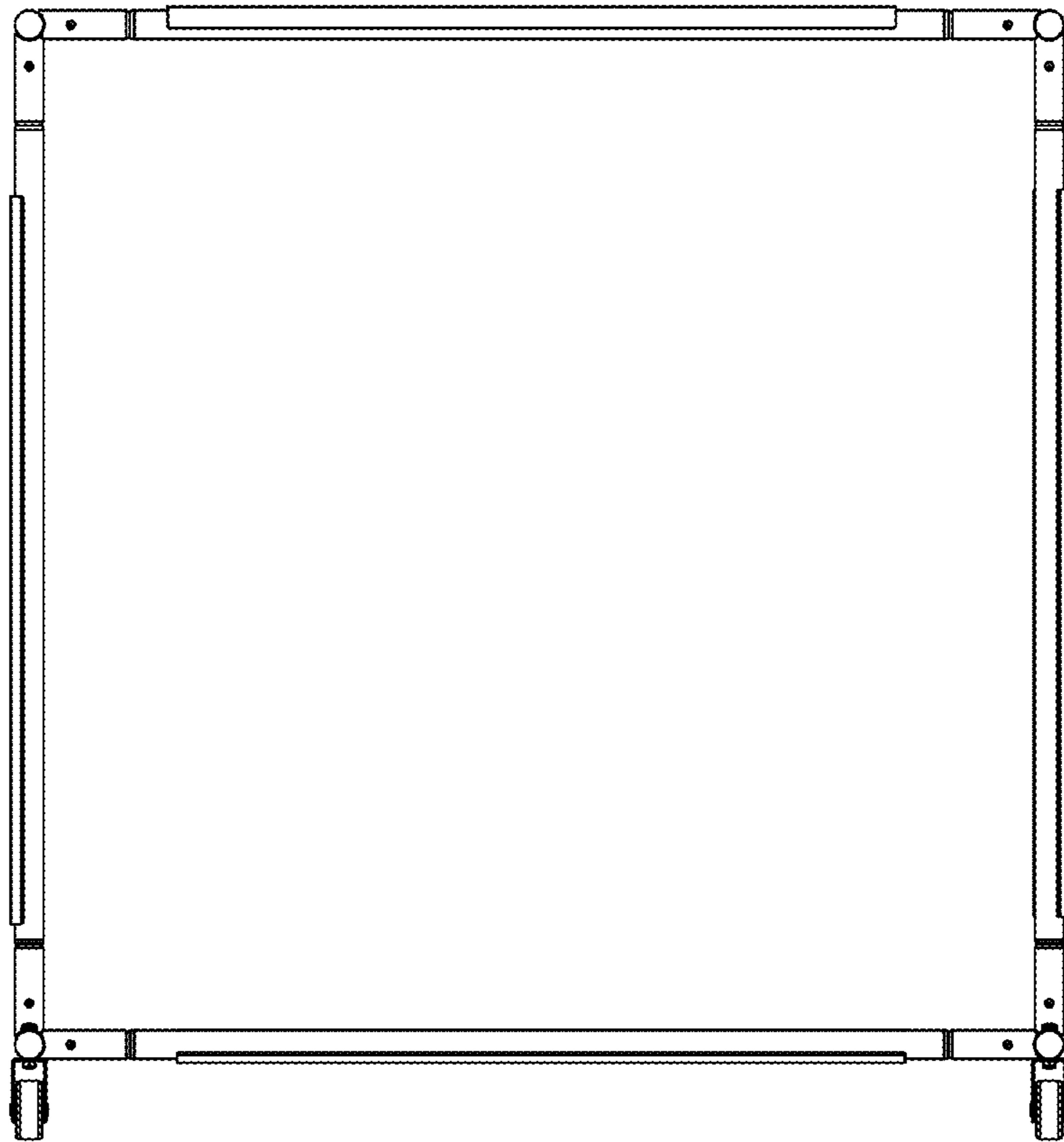


FIG. 4

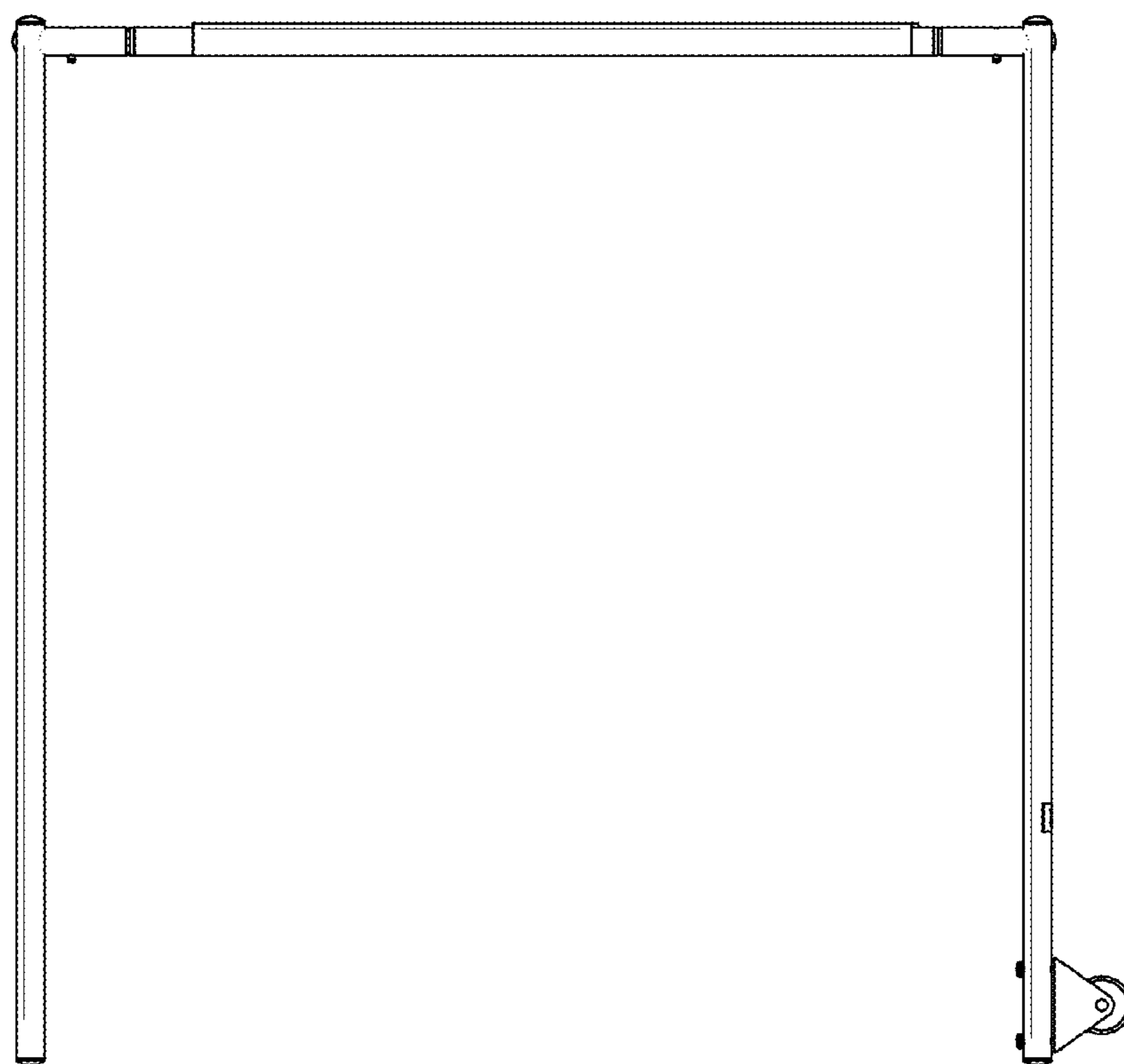


FIG. 5

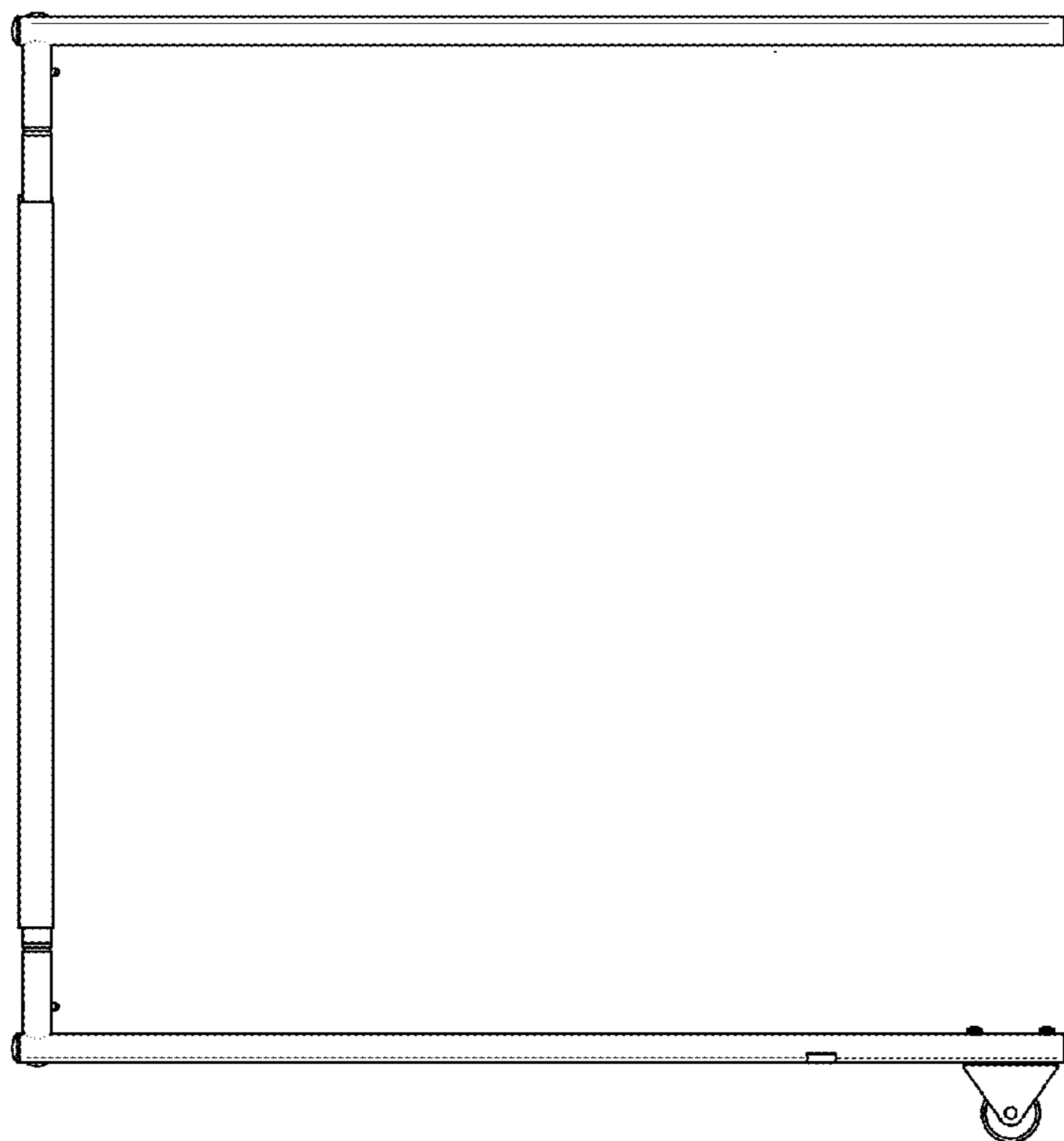


FIG. 6



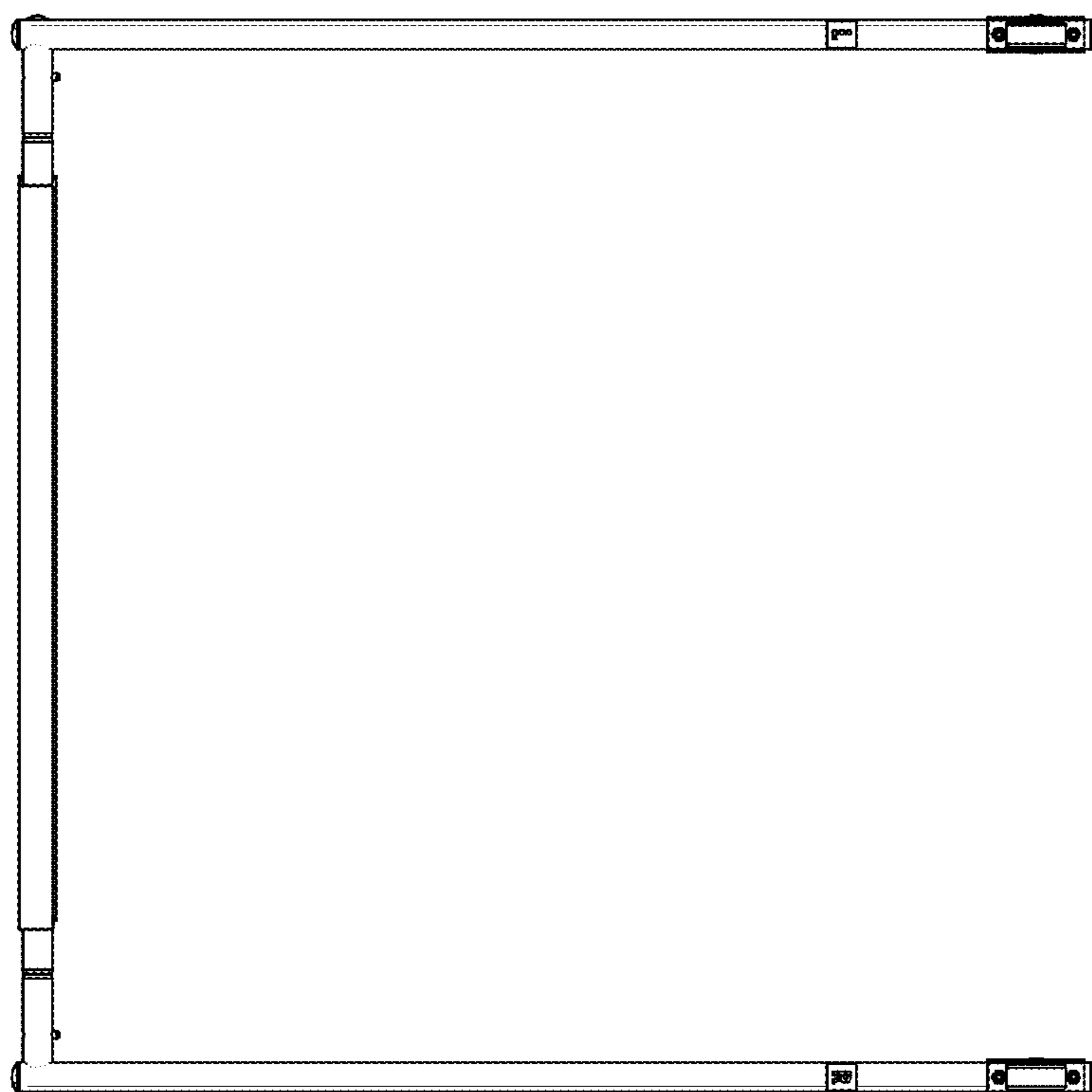


FIG. 7

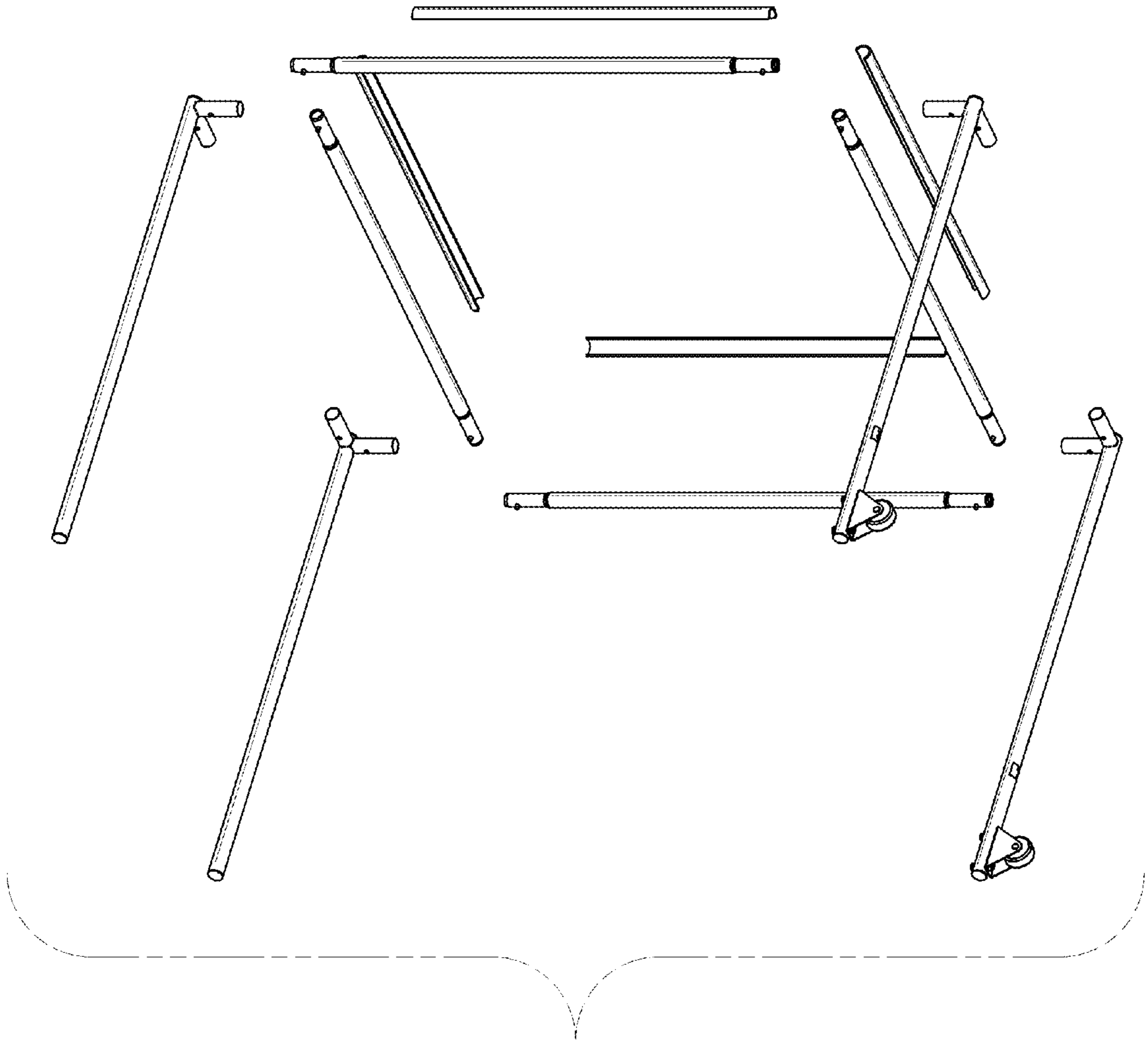


FIG. 8