

US00D760460S

(12) **United States Design Patent**  
**Kunnas et al.**

(10) **Patent No.:** **US D760,460 S**  
(45) **Date of Patent:** **\*\* Jun. 28, 2016**

(54) **SNOW BRUSH AND ICE SCRAPER**

FOREIGN PATENT DOCUMENTS

(71) Applicant: **Fiskars Garden Oy Ab**, Billnäs (FI)

CN 301613816 \* 7/2011  
CN 301991504 \* 7/2012

(72) Inventors: **Kari Kunnas**, Pinjainen (FI); **Petteri Masalin**, Pinjainen (FI); **Teemu Sandelin**, Pinjainen (FI); **Mika Sokka**, Pinjainen (FI); **Mikko Heine**, Pinjainen (FI)

(Continued)

(73) Assignee: **Fiskars Garden Oy Ab**, Billnäs (FI)

OTHER PUBLICATIONS

(\*\*) Term: **14 Years**

Amazon.com: Hopkins 532 Mallory 26" Snow Brush, online, review date Feb. 3, 2009, [http://www.amazon.com/Hopkins-532-Mallory-Brush-Colors/dp/B000BPLNXC/ref=sr\\_1\\_1?ie=UTF8&qid=1458261986&sr=8-1&keywords=ice+scrapers](http://www.amazon.com/Hopkins-532-Mallory-Brush-Colors/dp/B000BPLNXC/ref=sr_1_1?ie=UTF8&qid=1458261986&sr=8-1&keywords=ice+scrapers), [site visited Mar. 17, 2016 8:47:53 PM].\*

(Continued)

(21) Appl. No.: **29/525,461**

*Primary Examiner* — John Windmuller

(22) Filed: **Apr. 29, 2015**

*Assistant Examiner* — John R Yeh

(30) **Foreign Application Priority Data**

(74) *Attorney, Agent, or Firm* — Foley & Lardner LLP

Oct. 30, 2014 (EM) ..... 002567438-0001

(51) **LOC (10) Cl.** ..... **04-01**

(52) **U.S. Cl.**

USPC ..... **D32/42**; D32/40; D4/118

(58) **Field of Classification Search**

USPC ..... D8/33, 47, 90, 93; D4/118, 199;  
D32/40-42, 46-49; D7/693-694, 682;  
D24/146-147; D21/370, 377;  
D28/21-31

CPC ..... A01G 23/12; A01F 11/06; A47L 13/08;  
A47L 15/0081; A47J 43/288; A46B 15/0002;  
A46B 15/0055

See application file for complete search history.

(57) **CLAIM**

We claim the ornamental design for a snow brush and ice scraper, as shown and described.

**DESCRIPTION**

FIG. 1 is a rear perspective view of the claimed design; FIG. 2 is a front perspective view of the claimed design of FIG. 1; FIG. 3 is another rear perspective view of the claimed design of FIG. 1; FIG. 4 is a right side view of the claimed design of FIG. 1; FIG. 5 is a left side view of the claimed design of FIG. 1; FIG. 6 is a rear view of the claimed design of FIG. 1; FIG. 7 is a top view of the claimed design of FIG. 1; FIG. 8 is a bottom front perspective view of the claimed design of FIG. 1; FIG. 9 is a front view of the claimed design of FIG. 1; and, FIG. 10 is a bottom view of the claimed design of FIG. 1. The ornamental design which is claimed is shown in solid lines in the drawings. The broken lines in the drawings are for illustrative purposes only and form no part of the claimed design.

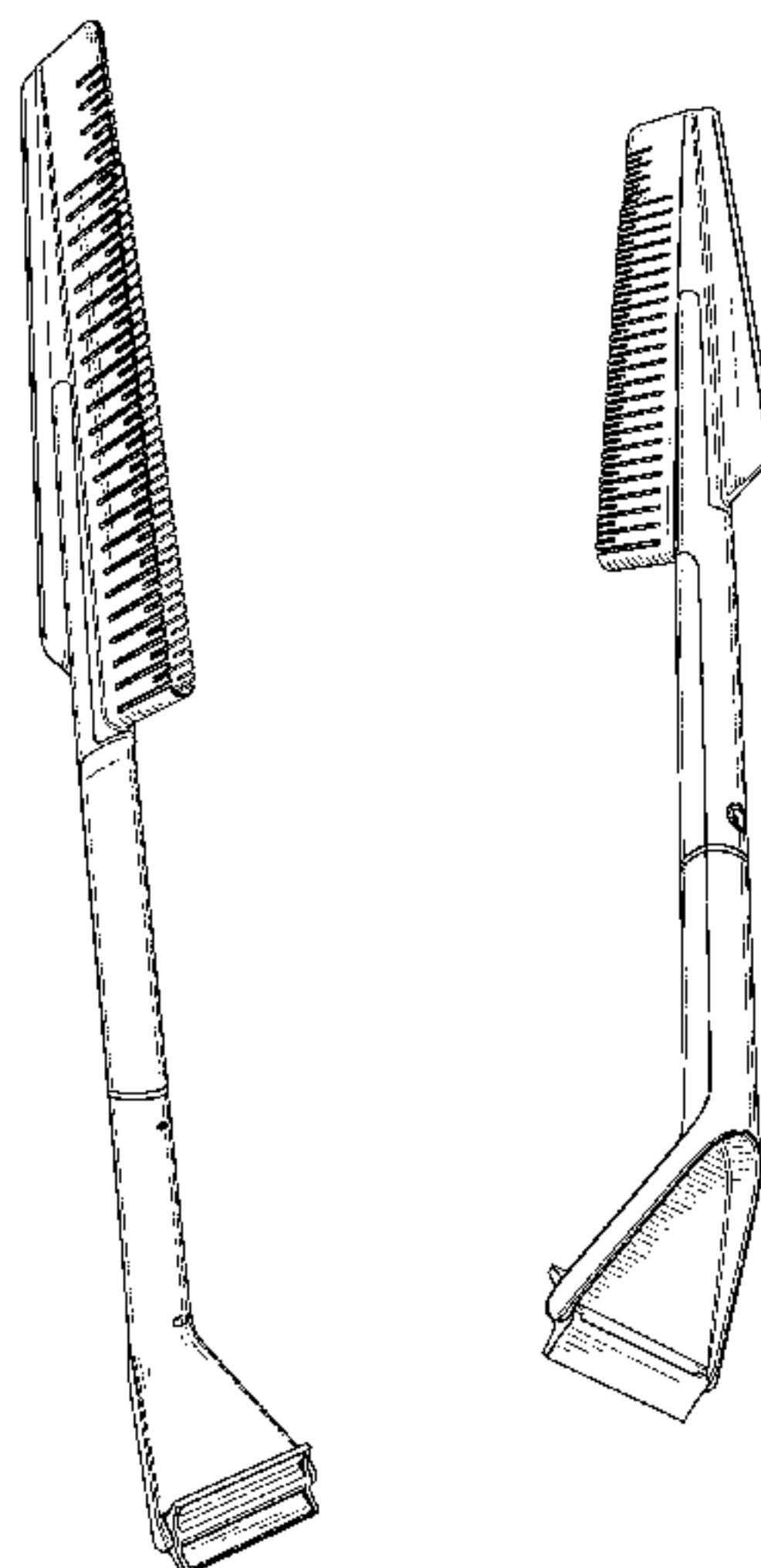
(56) **References Cited**

U.S. PATENT DOCUMENTS

3,017,649 A \* 1/1962 Racicot ..... A47L 1/06  
15/105  
D228,585 S \* 10/1973 Spydevold ..... D32/42

(Continued)

**1 Claim, 10 Drawing Sheets**



(56)

References Cited

U.S. PATENT DOCUMENTS

D242,748 S \* 12/1976 Graham ..... D32/42  
 D247,980 S 5/1978 Wistrand  
 D253,971 S \* 1/1980 Whiteman ..... D28/25  
 D258,239 S 2/1981 Zwiren  
 D262,915 S \* 2/1982 Tihonovich ..... D28/30  
 D265,269 S \* 7/1982 Frantz ..... D32/49  
 D268,225 S 3/1983 Ellenson  
 D335,771 S \* 5/1993 Mallory ..... D32/42  
 D346,903 S 5/1994 Hillmer  
 5,357,646 A \* 10/1994 Kim ..... A47L 1/16  
 15/111  
 D377,698 S \* 1/1997 Schaffer ..... D32/41  
 D383,907 S \* 9/1997 Fey ..... D32/42  
 D389,271 S \* 1/1998 Celik ..... D28/30  
 D422,125 S \* 3/2000 Sneed ..... D32/49  
 D422,146 S \* 4/2000 Sneed ..... D32/42  
 D435,692 S 12/2000 Anselmo  
 D441,198 S \* 5/2001 Primeau ..... D32/42  
 6,243,906 B1 \* 6/2001 Holliday ..... A46B 15/0055  
 15/111  
 D451,287 S \* 12/2001 Ingram ..... D32/42  
 D456,143 S 4/2002 Ingram  
 D501,726 S \* 2/2005 Liu ..... D4/118  
 D501,727 S \* 2/2005 Liu ..... D4/118  
 D547,551 S \* 7/2007 Sickler ..... D32/49

D548,976 S 8/2007 Hay  
 D561,999 S \* 2/2008 Liu ..... D4/118  
 D562,000 S \* 2/2008 Liu ..... D4/118  
 D564,230 S \* 3/2008 Schouten ..... D32/49  
 D604,919 S \* 11/2009 Meyer ..... D32/41  
 D617,967 S \* 6/2010 Lambert ..... D32/46  
 D656,736 S \* 4/2012 Hoffelner ..... D4/118  
 D714,491 S \* 9/2014 Du ..... A45D 24/00  
 D28/25

FOREIGN PATENT DOCUMENTS

EM 000782693-0001 9/2007  
 EM 002567438-0001 \* 2/2015  
 WO D080974-001 \* 6/2013

OTHER PUBLICATIONS

Amazon.com: Hopkins 80037 Subzero 60" Quick Lock Pivoting Snowbroom, review date Dec. 22, 2007, [http://www.amazon.com/Hopkins-80037-Subzero-Pivoting-Snowbroom/dp/B000KKLJSC/ref=sr\\_1\\_27?ie=UTF8&qid=1458262786&sr=8-27](http://www.amazon.com/Hopkins-80037-Subzero-Pivoting-Snowbroom/dp/B000KKLJSC/ref=sr_1_27?ie=UTF8&qid=1458262786&sr=8-27) &keywords=ice+scrapers, [site visited Mar. 17, 2016 9:02:03 PM].\*  
 US Office Action, U.S. Appl. No. 29/525,462, 8 pages (Mar. 25, 2016).

\* cited by examiner

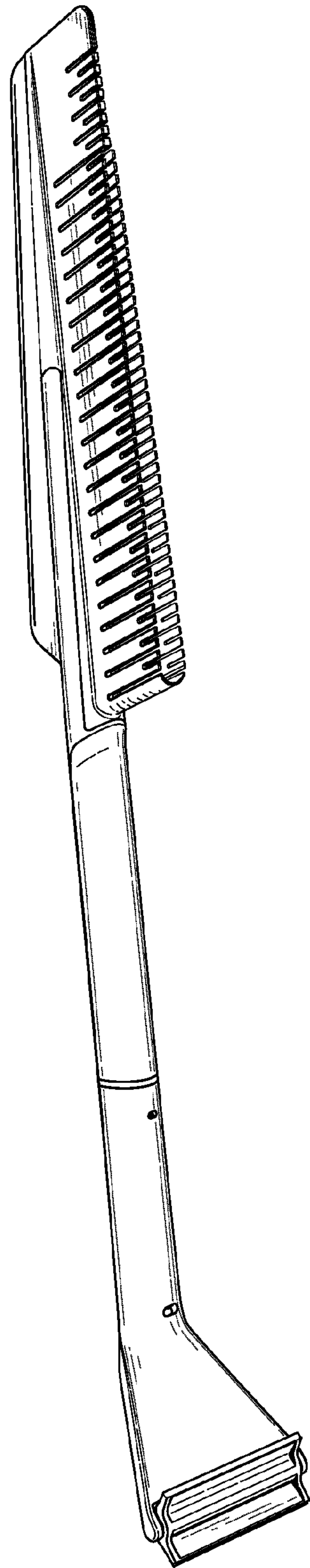


FIG. 1

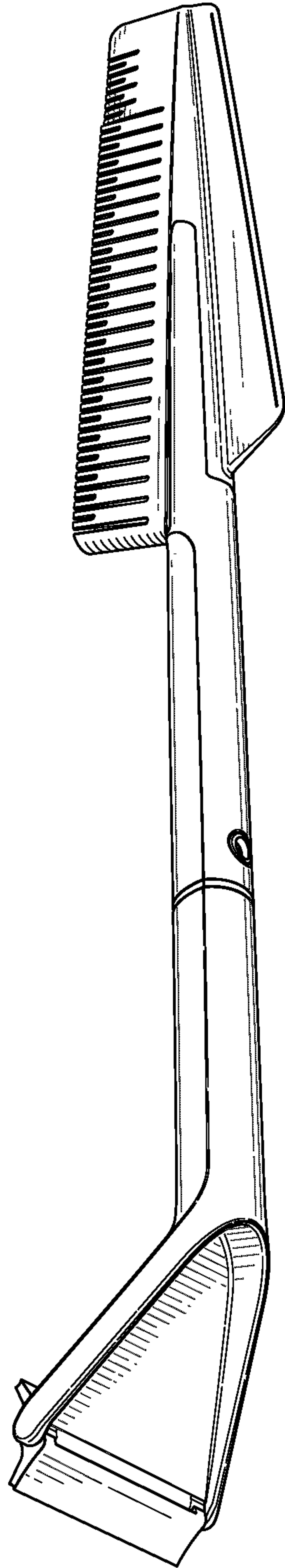


FIG. 2

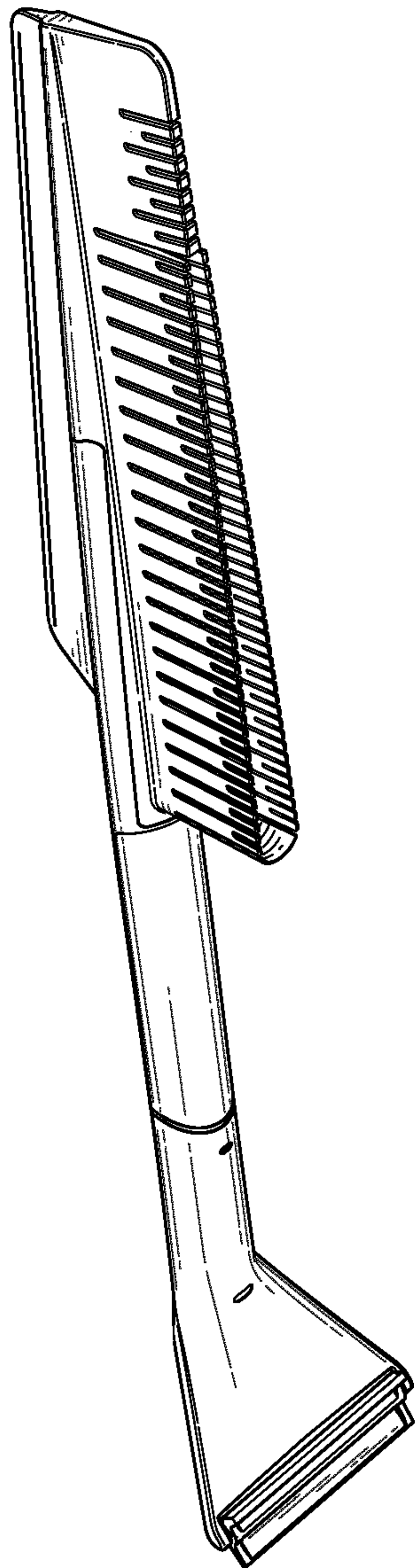


FIG. 3



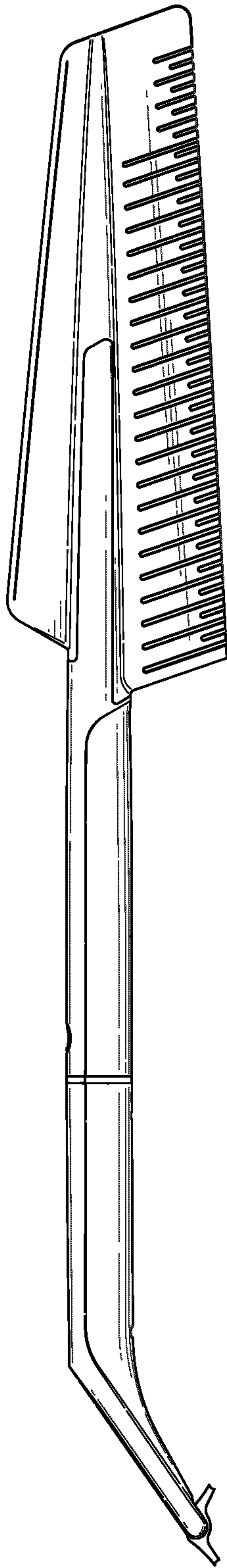


FIG.4

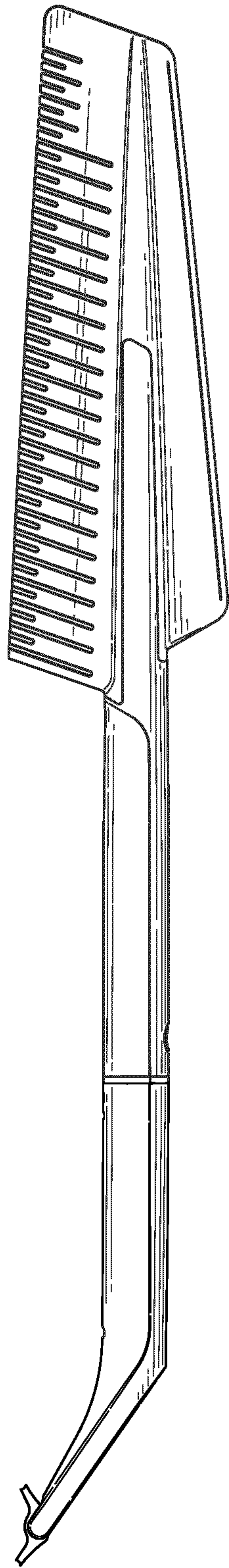


FIG. 5

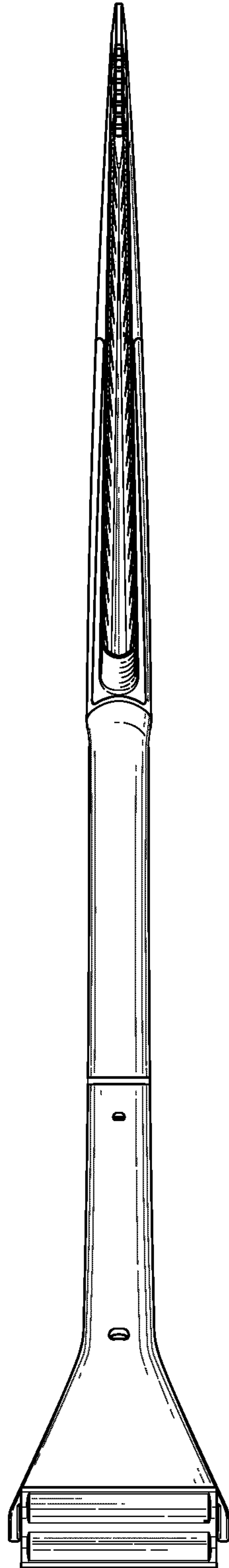


FIG. 6



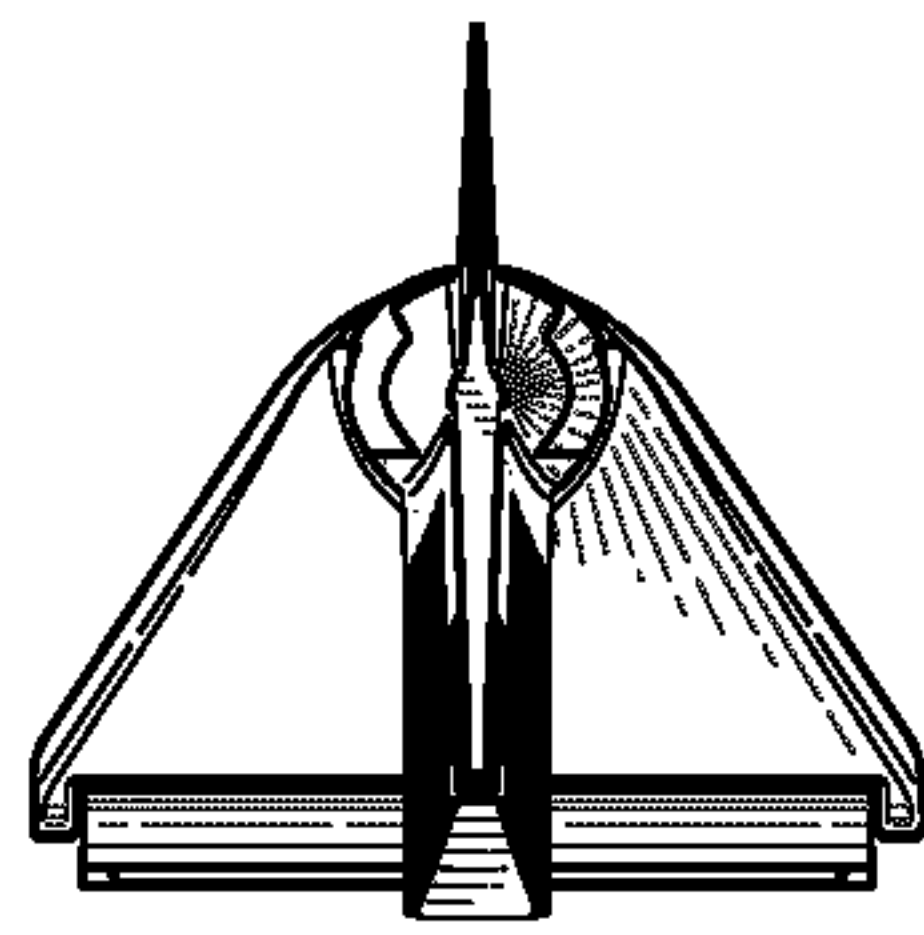


FIG. 7

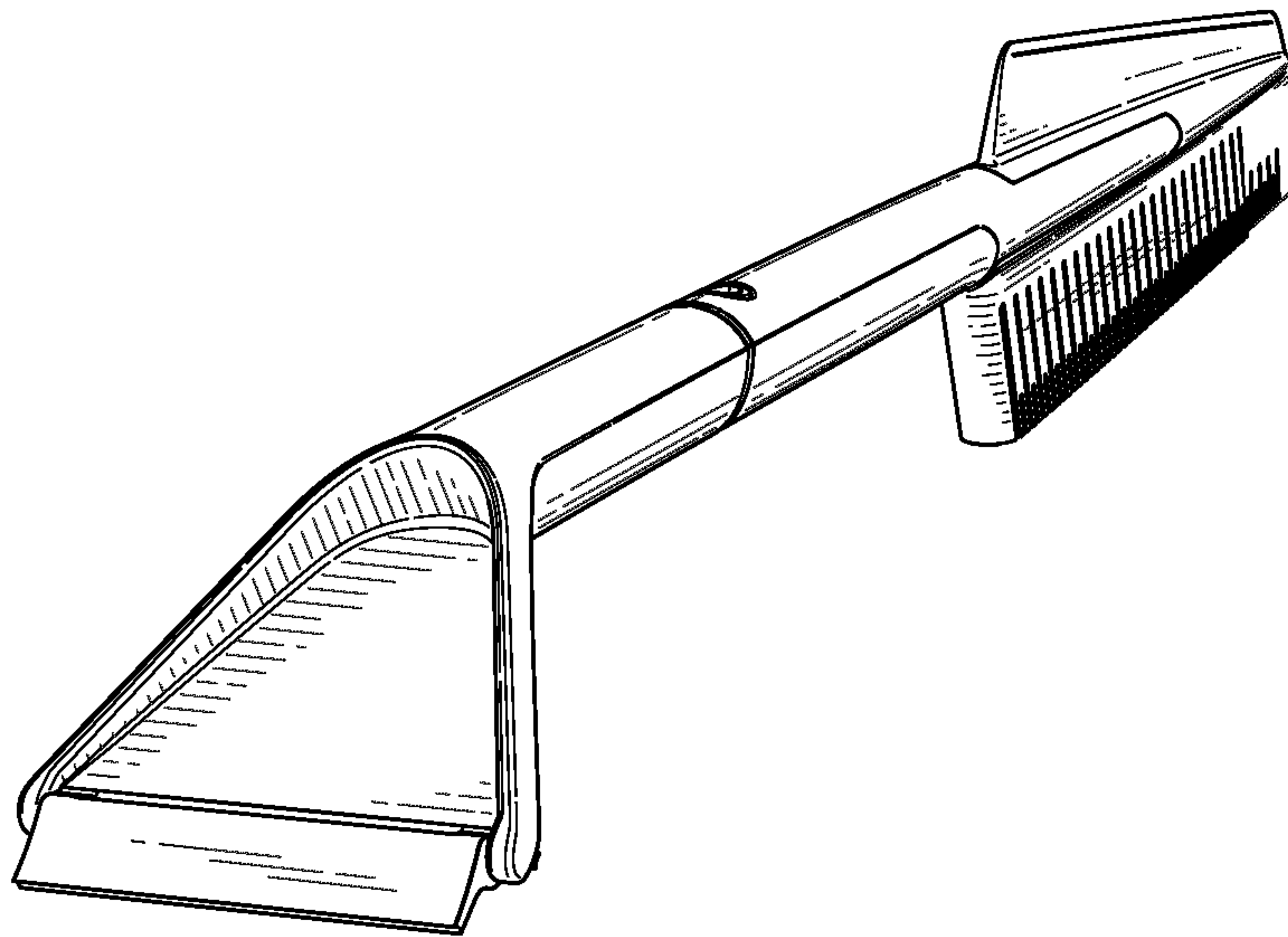


FIG. 8

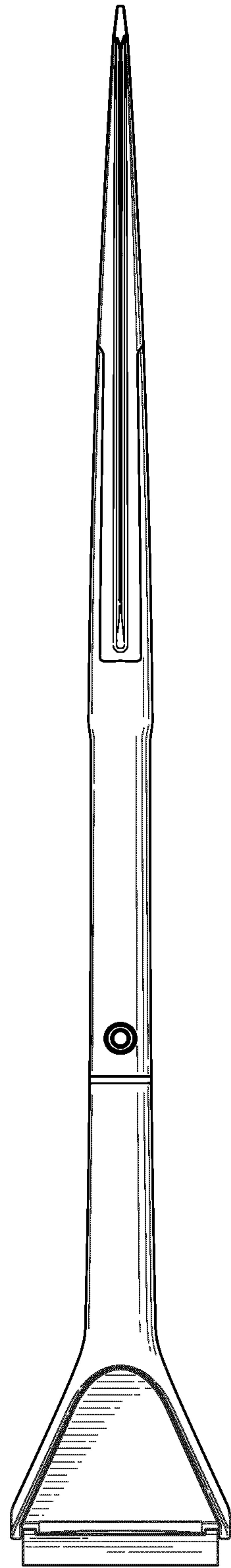


FIG. 9

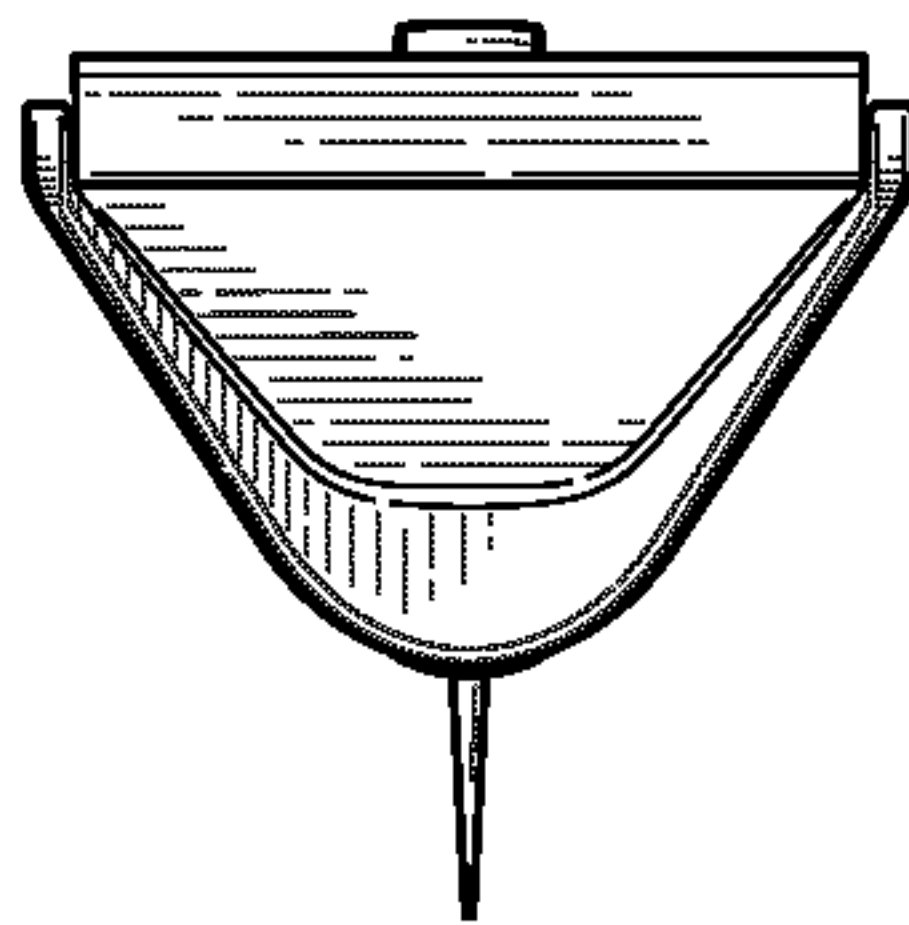


FIG. 10