



US00D760459S

(12) **United States Design Patent**
Carter et al.

(10) **Patent No.:** **US D760,459 S**
(45) **Date of Patent:** **** Jun. 28, 2016**

(54) **VACUUM CLEANER**

(56) **References Cited**

(71) Applicant: **Techtronic Industries Co. Ltd.**, Tsuen Wan, New Territories (HK)

U.S. PATENT DOCUMENTS

(72) Inventors: **Daniel William Carter**, West Midlands (GB); **Darren David Holmes**, West Midlands (GB); **Simon Pougher**, West Midlands (GB); **Thomas Robert Harries**, West Midlands (GB); **Mark Barnsley**, West Midlands (GB)

2,392,205	A *	1/1946	Wales	A47L 5/36
					15/327.5
D176,635	S *	1/1956	Shalvoy	D32/21
2,769,998	A *	11/1956	Hunter	A47L 5/367
					15/323
D182,286	S *	3/1958	Johnson et al.	D32/21
6,141,822	A *	11/2000	Riviera-Boklund	A47L 5/36
					15/325
D443,738	S *	6/2001	Makihara	D32/21
2012/0222263	A1 *	9/2012	Conrad	A47L 9/00
					15/412

(73) Assignee: **Techtronic Industries Co. Ltd.**, Tsuen Wan, New Territories (HK)

OTHER PUBLICATIONS

Co-pending Design U.S. Appl. No. 29/489,291, filed Apr. 29, 2014.

(**) Term: **14 Years**

* cited by examiner

(21) Appl. No.: **29/494,455**

Primary Examiner — Ruth McInroy

(22) Filed: **Jun. 20, 2014**

(74) *Attorney, Agent, or Firm* — Michael Best & Friedrich LLP

(30) **Foreign Application Priority Data**

(57) **CLAIM**

We claim the ornamental design for a vacuum cleaner, as shown and described.

Dec. 20, 2013 (EM) 001395123

(51) **LOC (10) Cl.** **15-05**

(52) **U.S. Cl.**
USPC **D32/31**

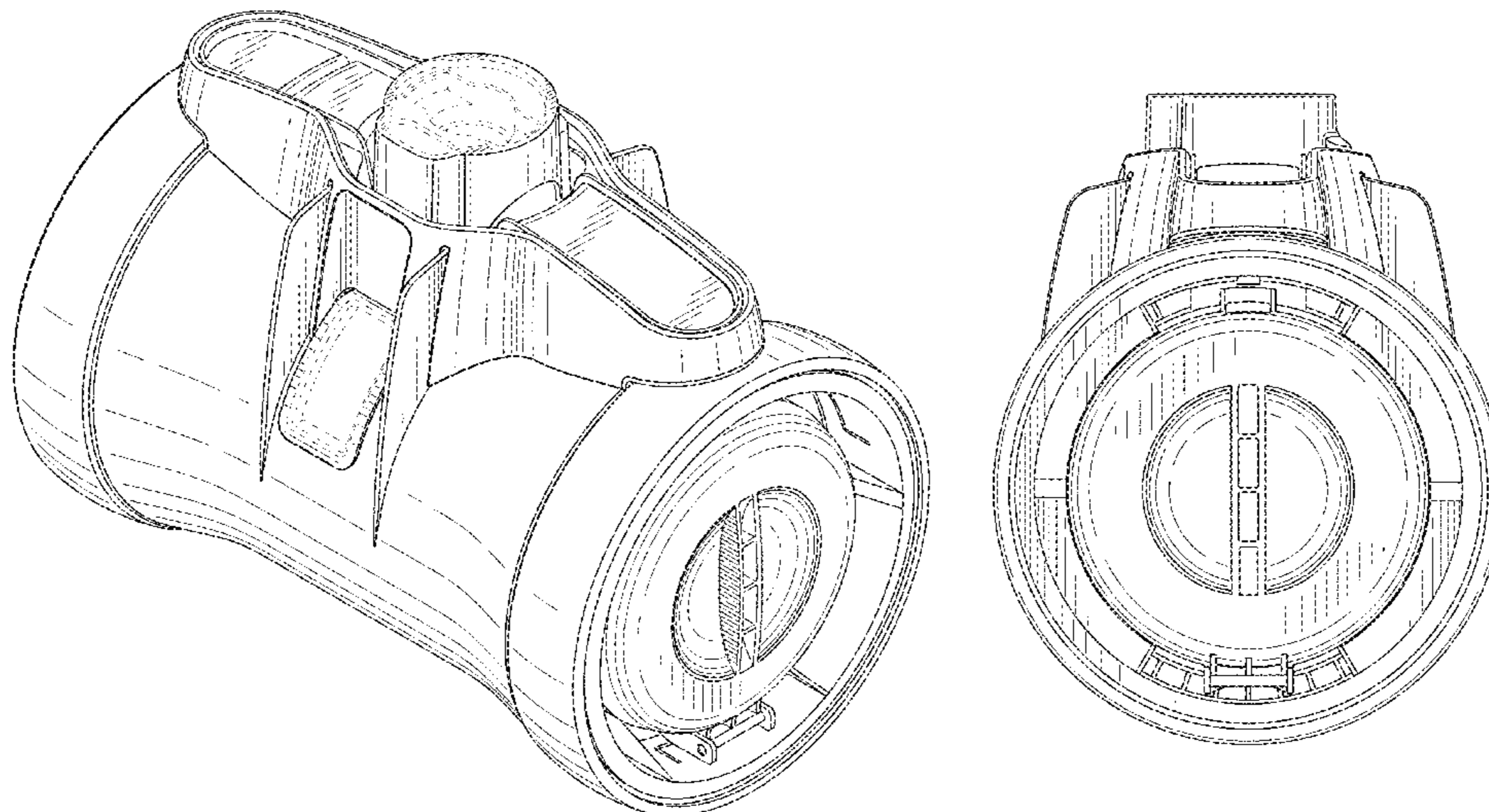
(58) **Field of Classification Search**
USPC D32/18, 21–24, 31
CPC .. B01D 50/002; A47L 9/1625; A47L 9/1683;
A47L 9/1666; A47L 9/1641; A47L 5/28;
A47L 5/24; A47L 5/362; A47L 5/365; A47L
5/36; A47L 7/06

DESCRIPTION

FIG. 1 is a front perspective view of a vacuum cleaner embodying the invention;
FIG. 2 is a rear perspective view of the vacuum cleaner of FIG. 1;
FIG. 3 is a right side view of the vacuum cleaner of FIG. 1;
FIG. 4 is a left side view of the vacuum cleaner of FIG. 1;
FIG. 5 is a top view of the vacuum cleaner of FIG. 1;
FIG. 6 is a bottom view of the vacuum cleaner of FIG. 1;
FIG. 7 is a front view of the vacuum cleaner of FIG. 1; and,
FIG. 8 is a rear view of the vacuum cleaner of FIG. 1.
The elements shown in broken lines are included for the purpose of illustrating environment and form no part of the claimed design.

See application file for complete search history.

1 Claim, 7 Drawing Sheets



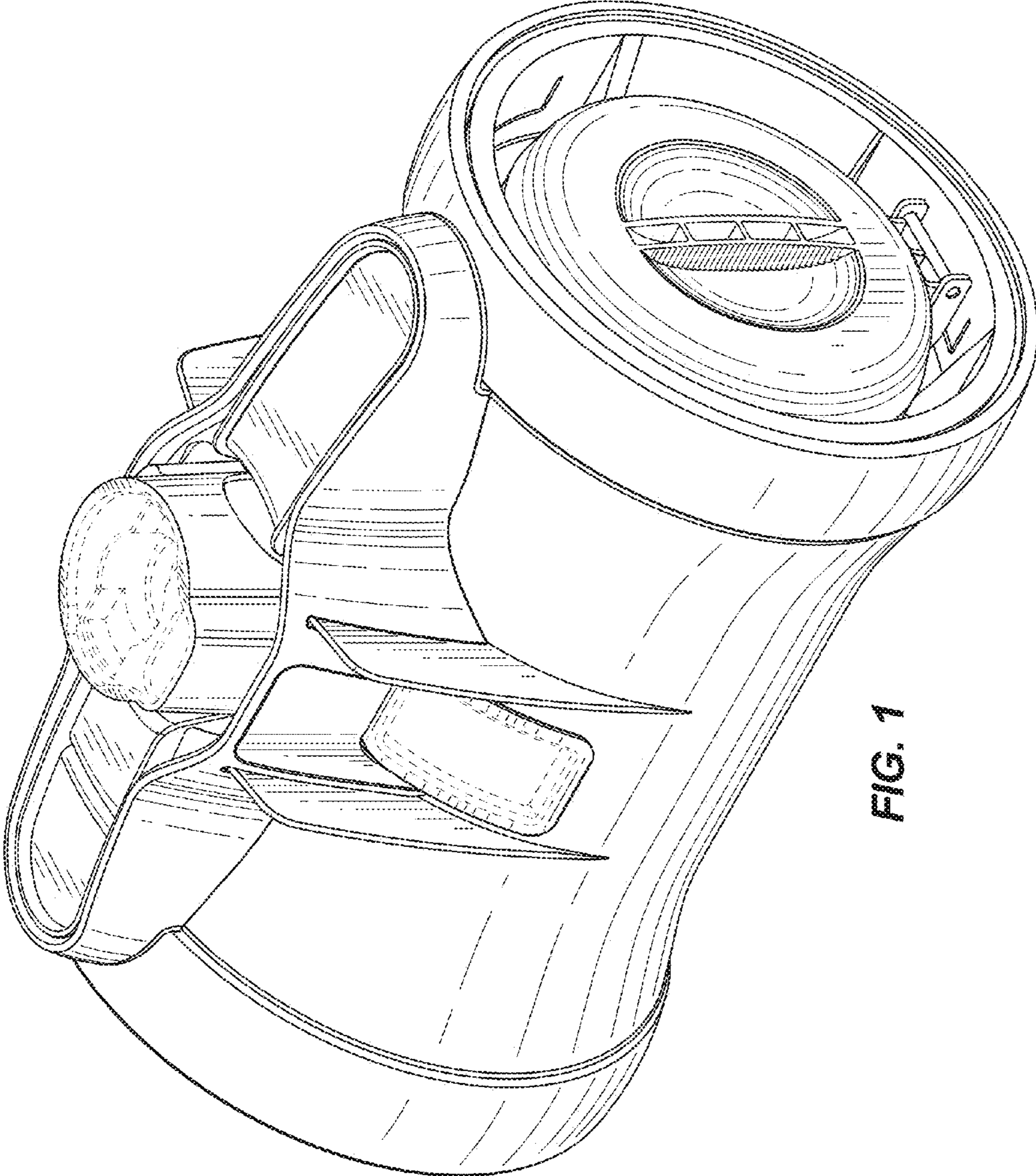


FIG. 1

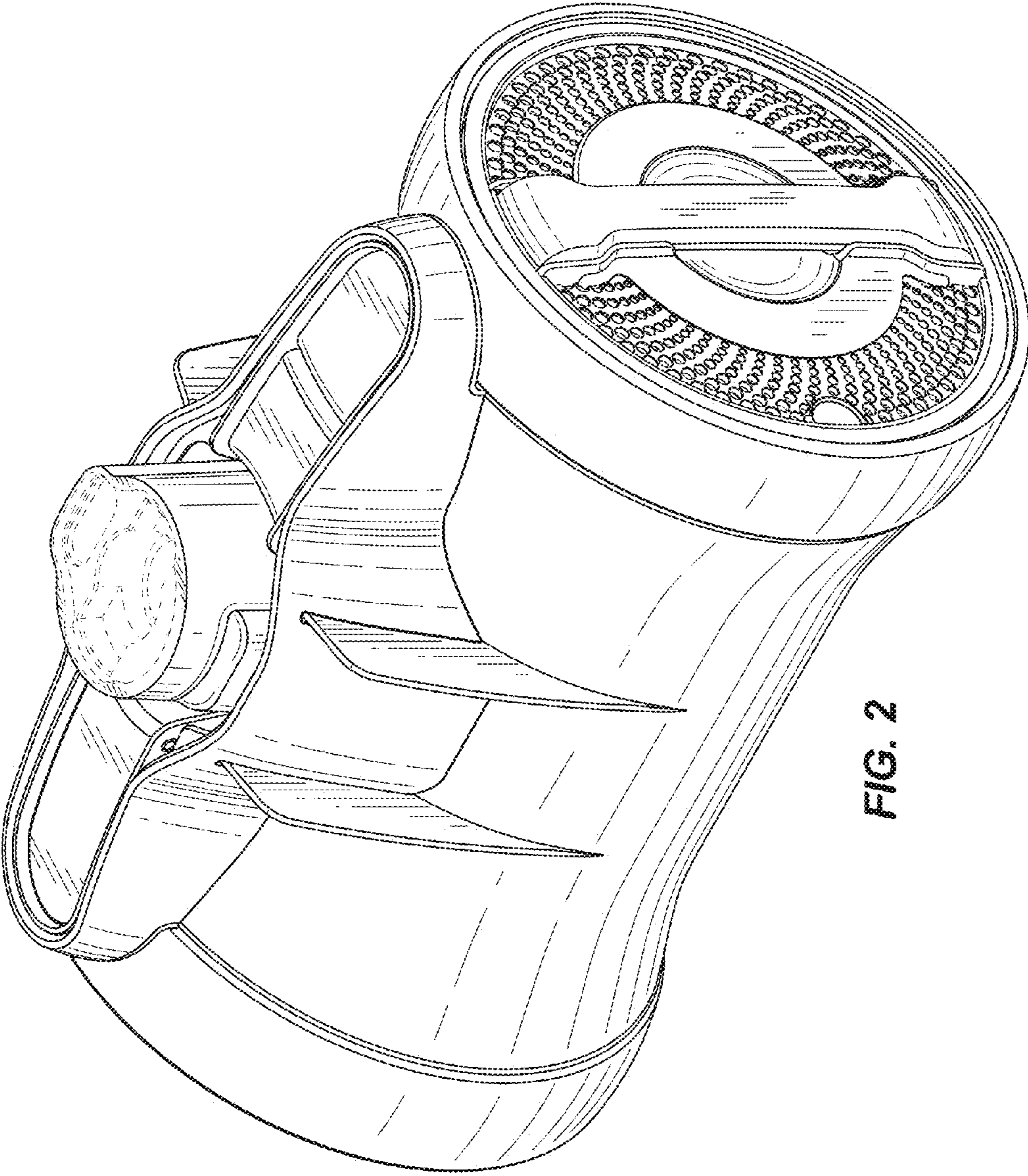


FIG. 2

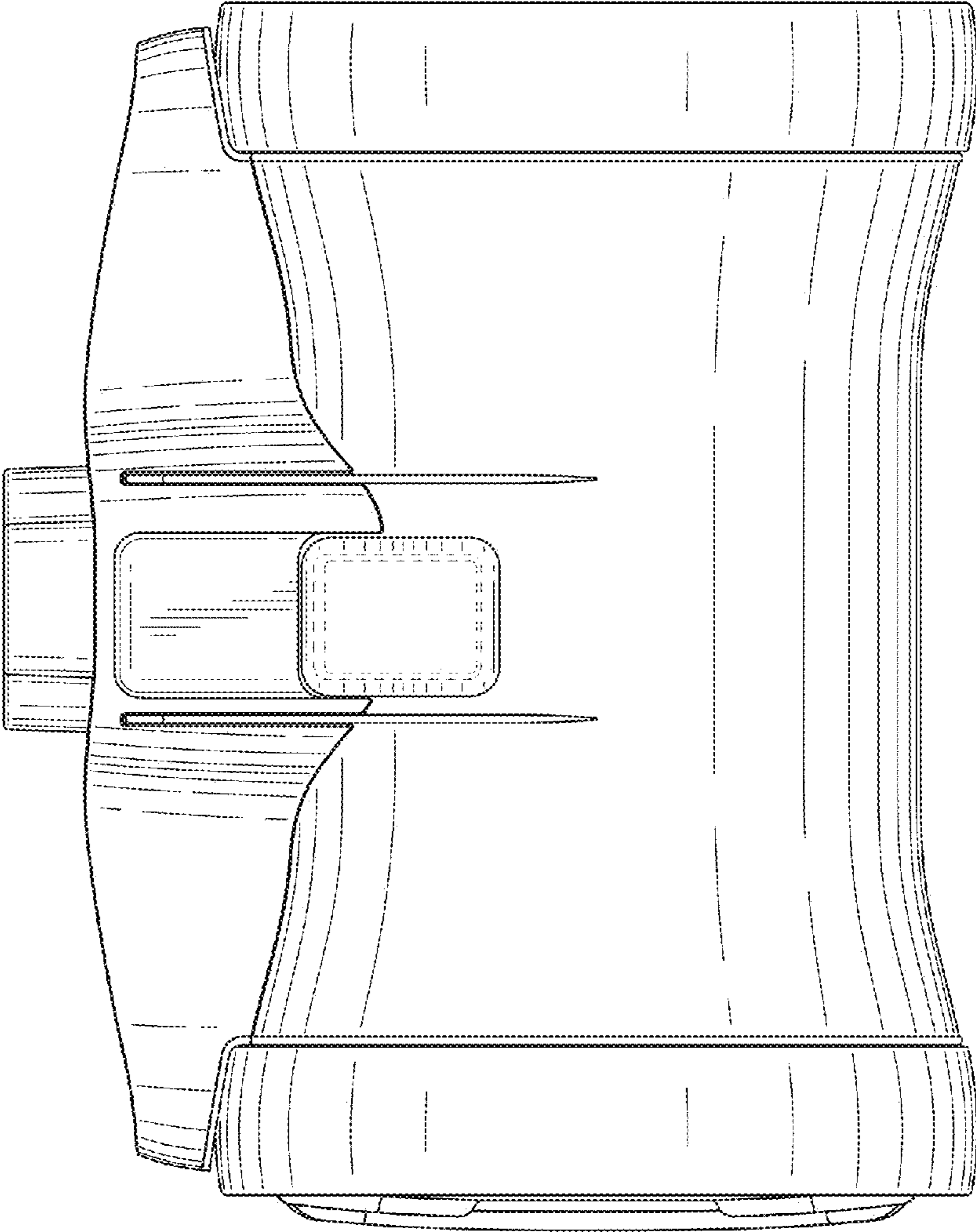


FIG. 3

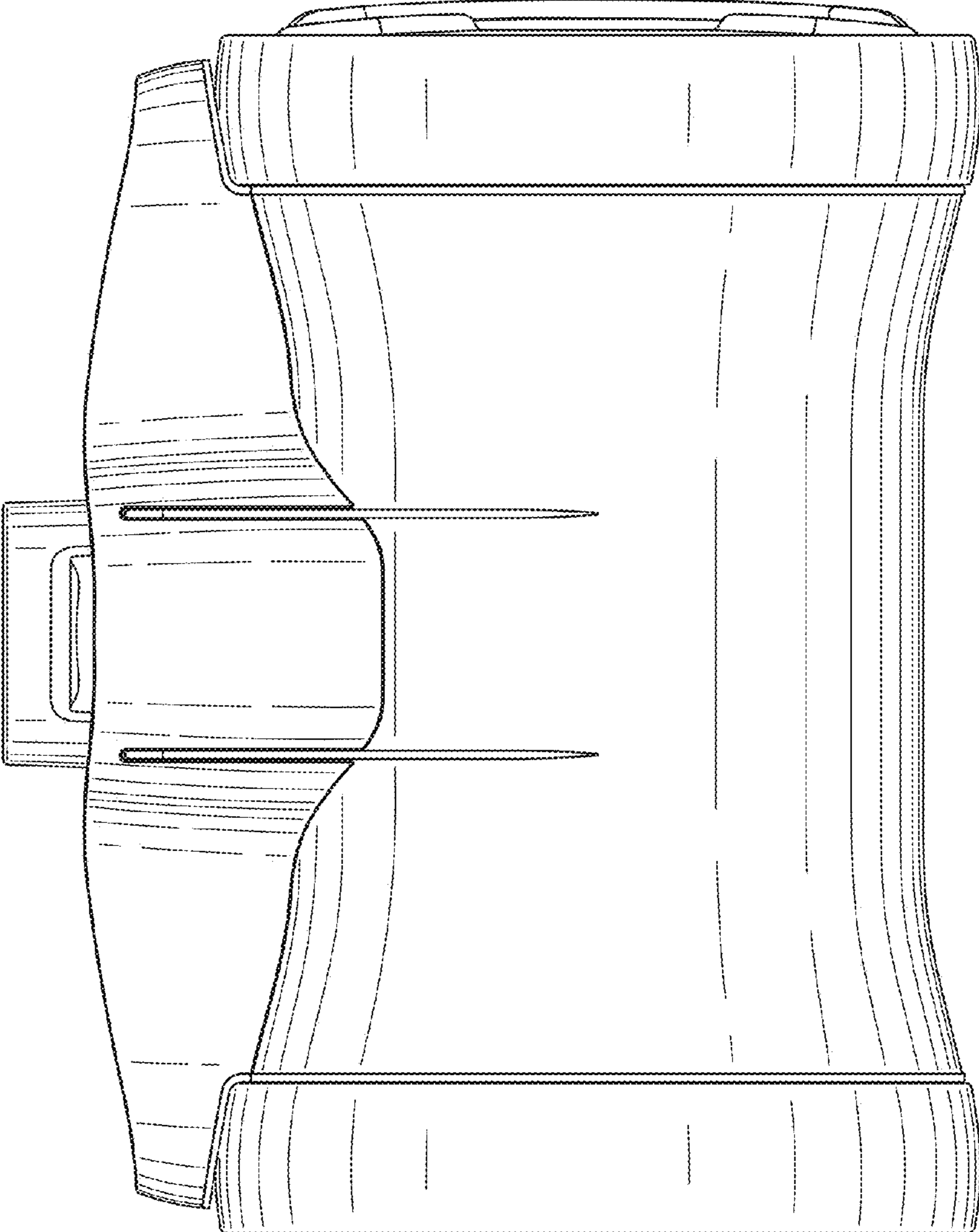


FIG. 4

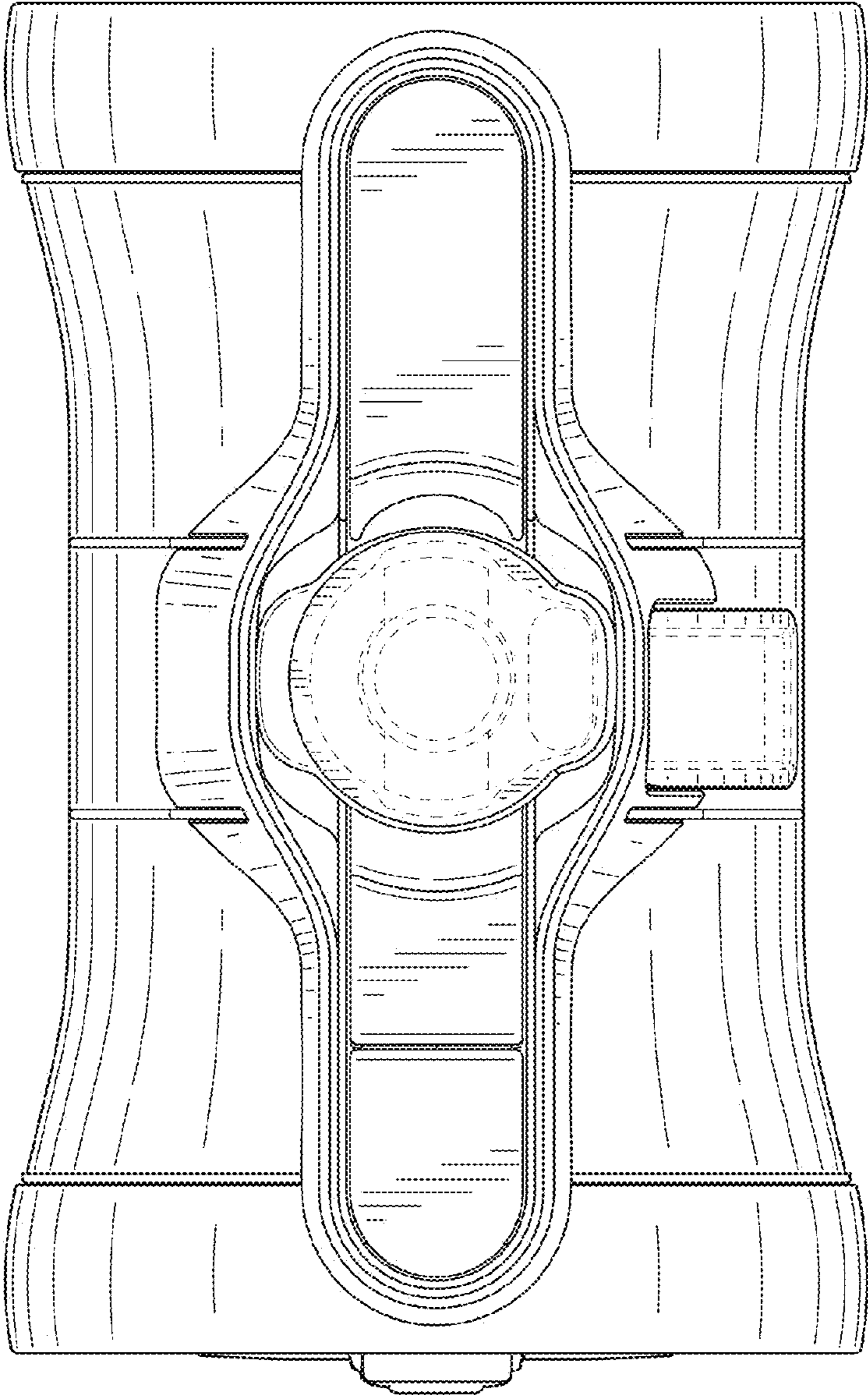


FIG. 5

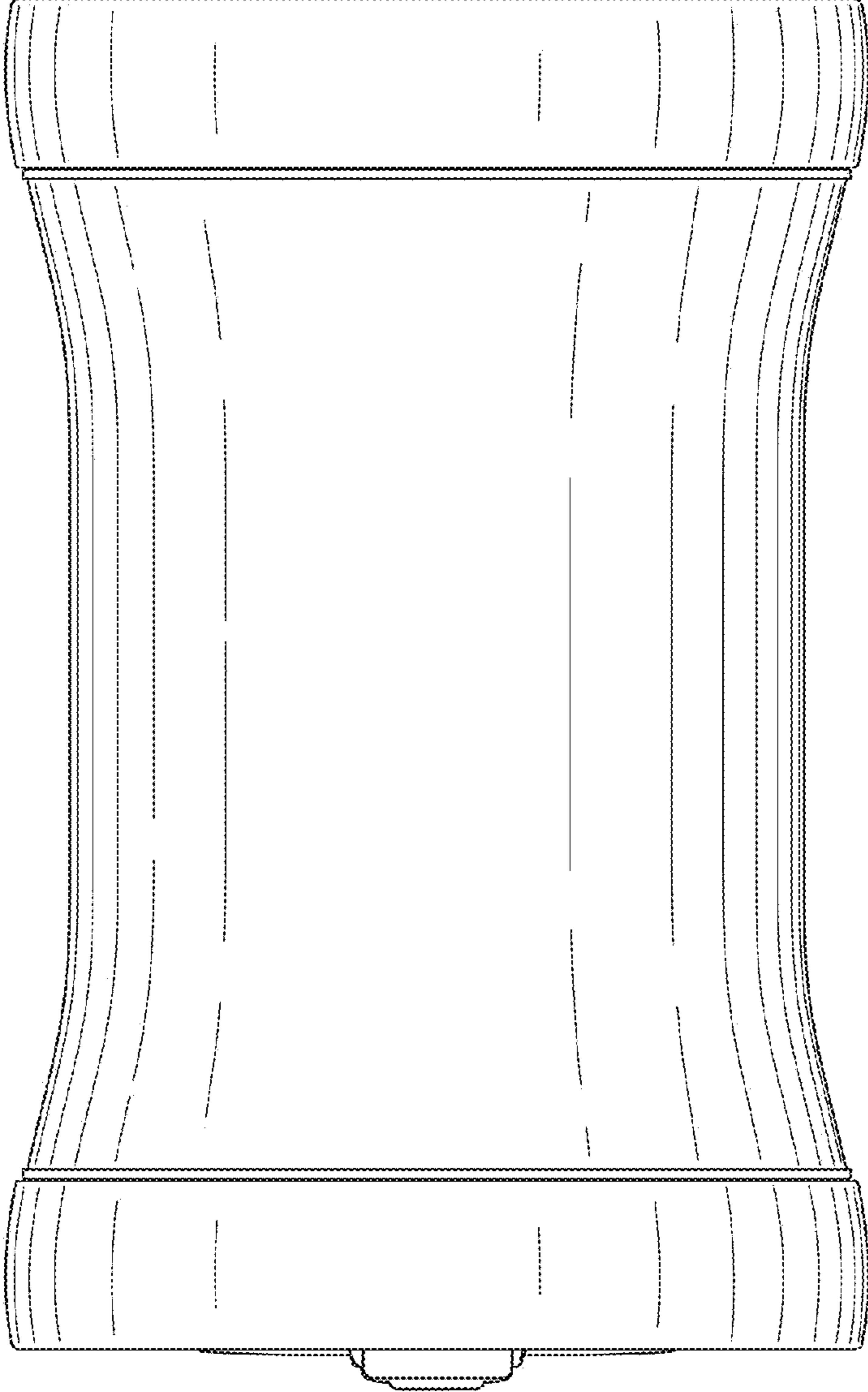


FIG. 6

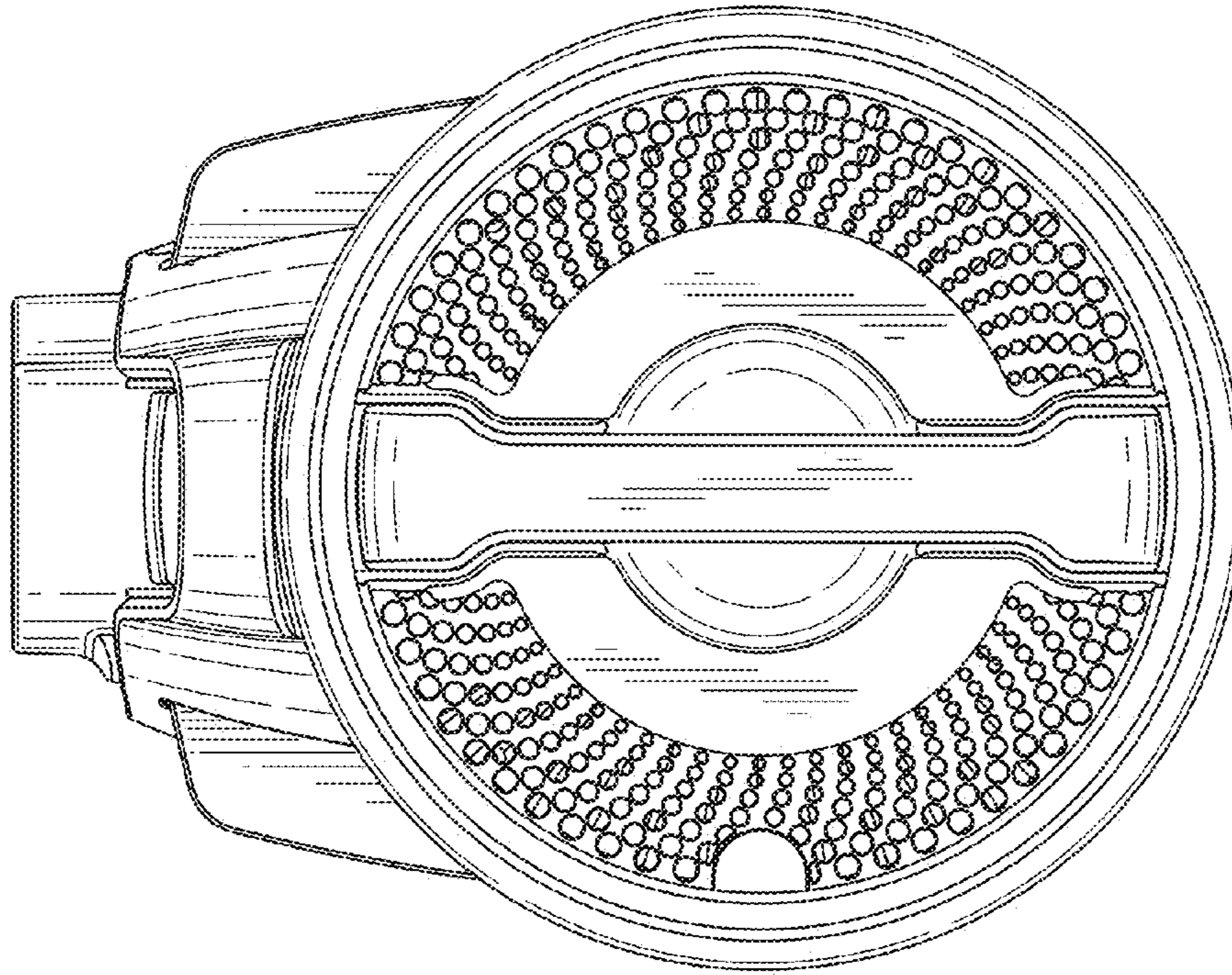


FIG. 8

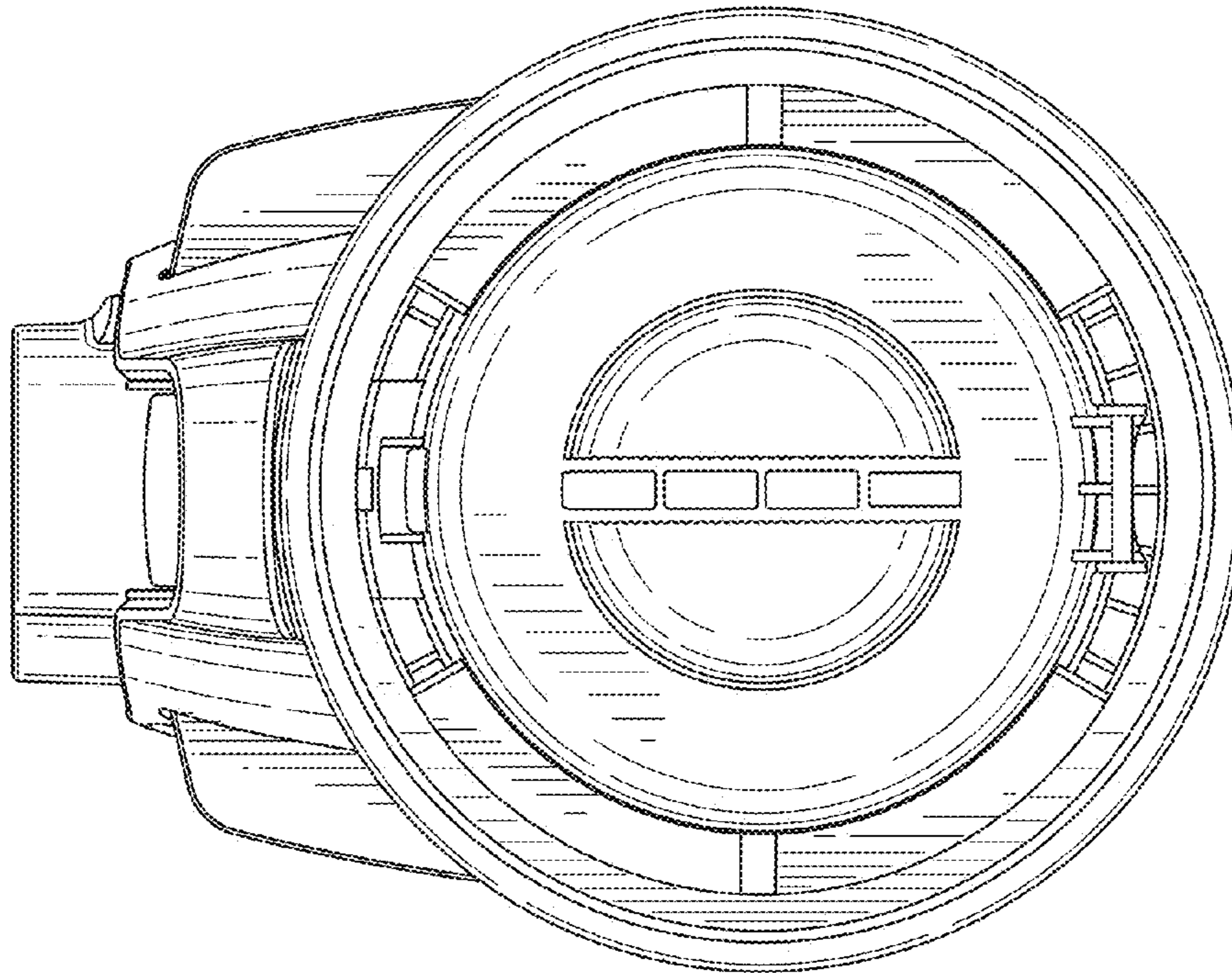


FIG. 7